



US00D845281S

(12) **United States Design Patent** (10) **Patent No.:** **US D845,281 S**
Lee (45) **Date of Patent:** **** Apr. 9, 2019**

(54) **EARBUD**
(71) Applicant: **GN Audio A/S**, Ballerup (DK)
(72) Inventor: **Chang Ho Lee**, Ballerup (DK)
(73) Assignee: **GN Audio A/S** (DK)
(**) Term: **15 Years**
(21) Appl. No.: **29/581,296**
(22) Filed: **Oct. 18, 2016**

(30) **Foreign Application Priority Data**

Apr. 21, 2016 (EM) 003076975-0001
Apr. 21, 2016 (EM) 003076975-0002
Apr. 21, 2016 (EM) 003076975-0003
Apr. 21, 2016 (EM) 003076975-0004
Apr. 21, 2016 (EM) 003076975-0005

(51) **LOC (11) Cl.** **14-01**
(52) **U.S. Cl.**
USPC **D14/223**

(58) **Field of Classification Search**
USPC D14/223, 205, 206; D24/174; 181/129,
181/130, 135; 128/864, 866, 867;
381/380, 381
CPC H04R 25/00; H04R 25/02; H04R 1/10;
H04R 1/1016; H04R 1/105; H04R
1/1083; H04R 1/1041; H04R 2420/07;
H04R 2430/01; H04R 1/02
See application file for complete search history.

(56) **References Cited**

U.S. PATENT DOCUMENTS

D458,244 S * 6/2002 Masuda D14/192
D574,361 S * 8/2008 Sasaki D14/205

D616,874 S * 6/2010 Matsuoka D14/223
D631,470 S * 1/2011 Yoneyama D14/223
D737,251 S * 8/2015 Thompson D14/223
D764,445 S * 8/2016 Czaniecki D14/223
D786,221 S * 5/2017 Stoch D14/223
D794,614 S * 8/2017 Xu D14/223
D801,950 S * 11/2017 Otani D14/223
D803,816 S * 11/2017 Bolster D14/223
D806,053 S * 12/2017 Lee D14/205
D808,360 S * 1/2018 Arimoto D14/205
D810,725 S * 2/2018 Zhang D14/223
D816,060 S * 4/2018 Wei D14/205
D817,309 S * 5/2018 Czaniecki D14/223
D817,920 S * 5/2018 Paschke D14/205
2016/0037248 A1 * 2/2016 Cheng H04R 1/105
381/74
2017/0264986 A1 * 9/2017 Hsieh H04R 1/1016
2017/0264991 A1 * 9/2017 Horst H04R 1/1041

* cited by examiner

Primary Examiner — Keli L Hill

(74) *Attorney, Agent, or Firm* — Altera Law Group, LLC

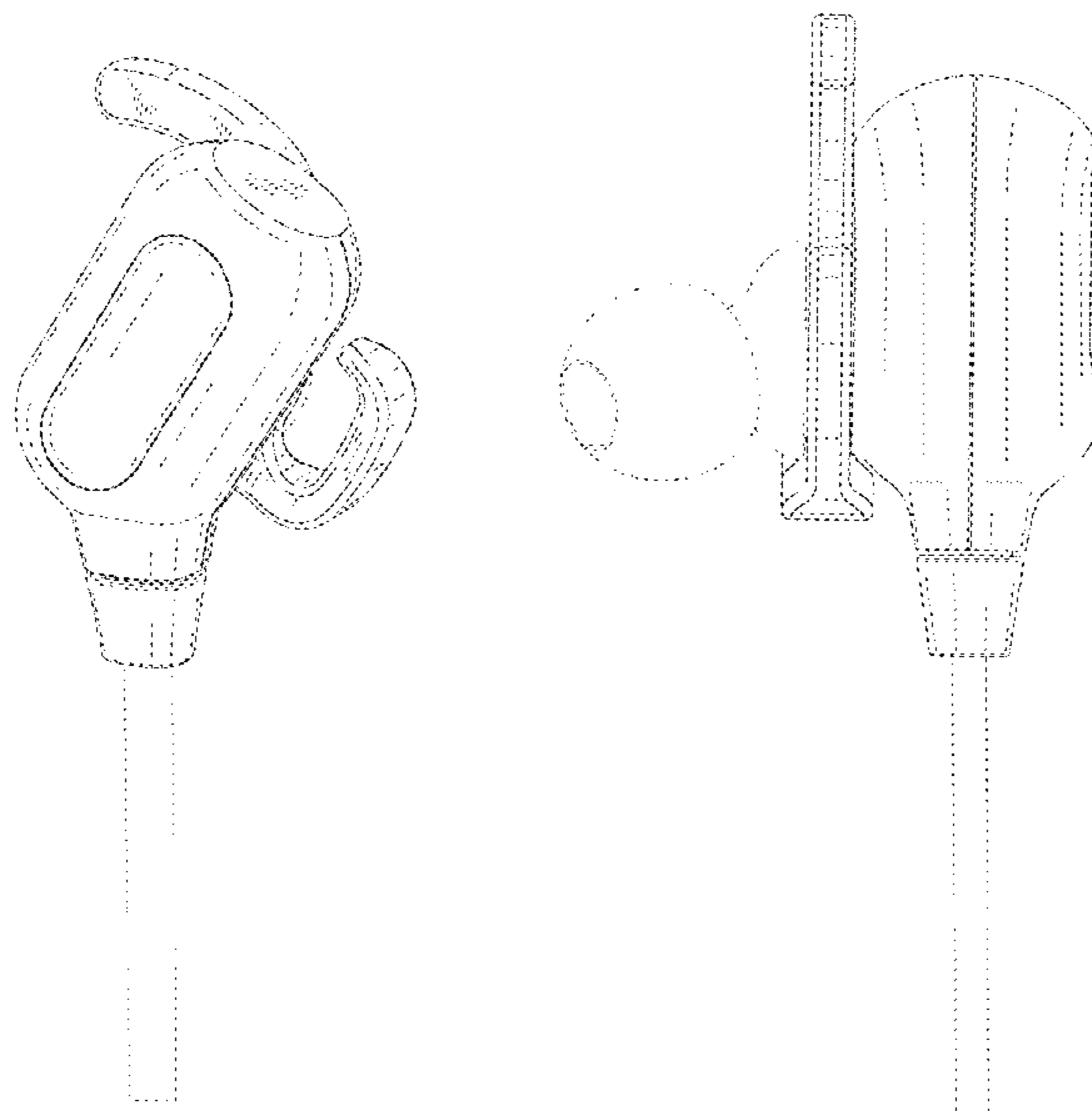
(57) **CLAIM**

The ornamental design for an earbud, as shown and described.

DESCRIPTION

FIG. 1 is a perspective view of an earbud with hook for earbud.
FIG. 2 is a front view of FIG. 1 thereof.
FIG. 3 is a back view of FIG. 1 thereof.
FIG. 4 is the left side view of FIG. 1 thereof.
FIG. 5 is the right side view of FIG. 1 thereof.
FIG. 6 is a top view of FIG. 1 thereof; and,
FIG. 7 is a bottom view of FIG. 1 thereof.
The broken lines shown are included for the purpose of illustrating portions of the earbud that form no part of the claim.

1 Claim, 7 Drawing Sheets



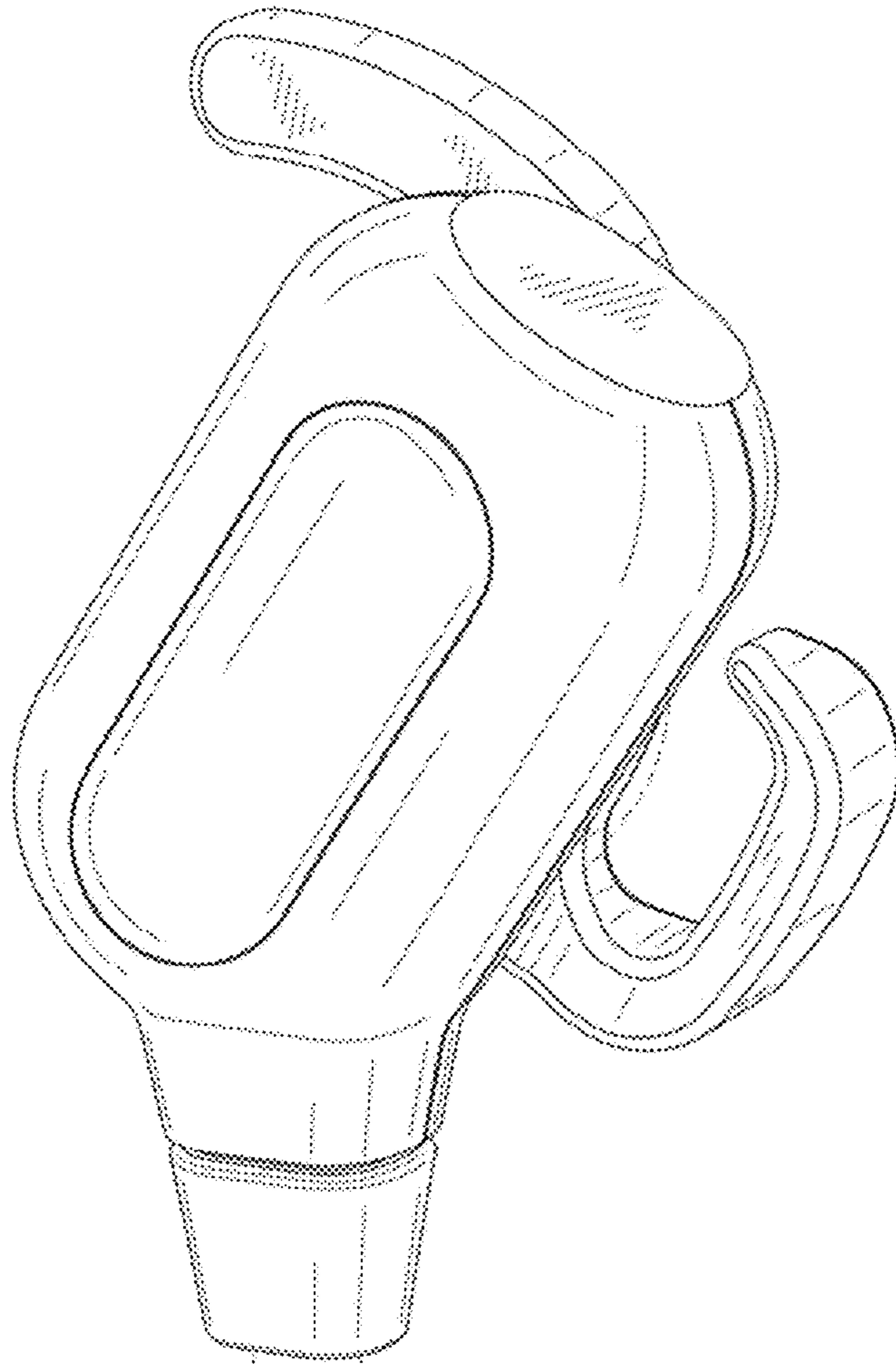


FIG. 1

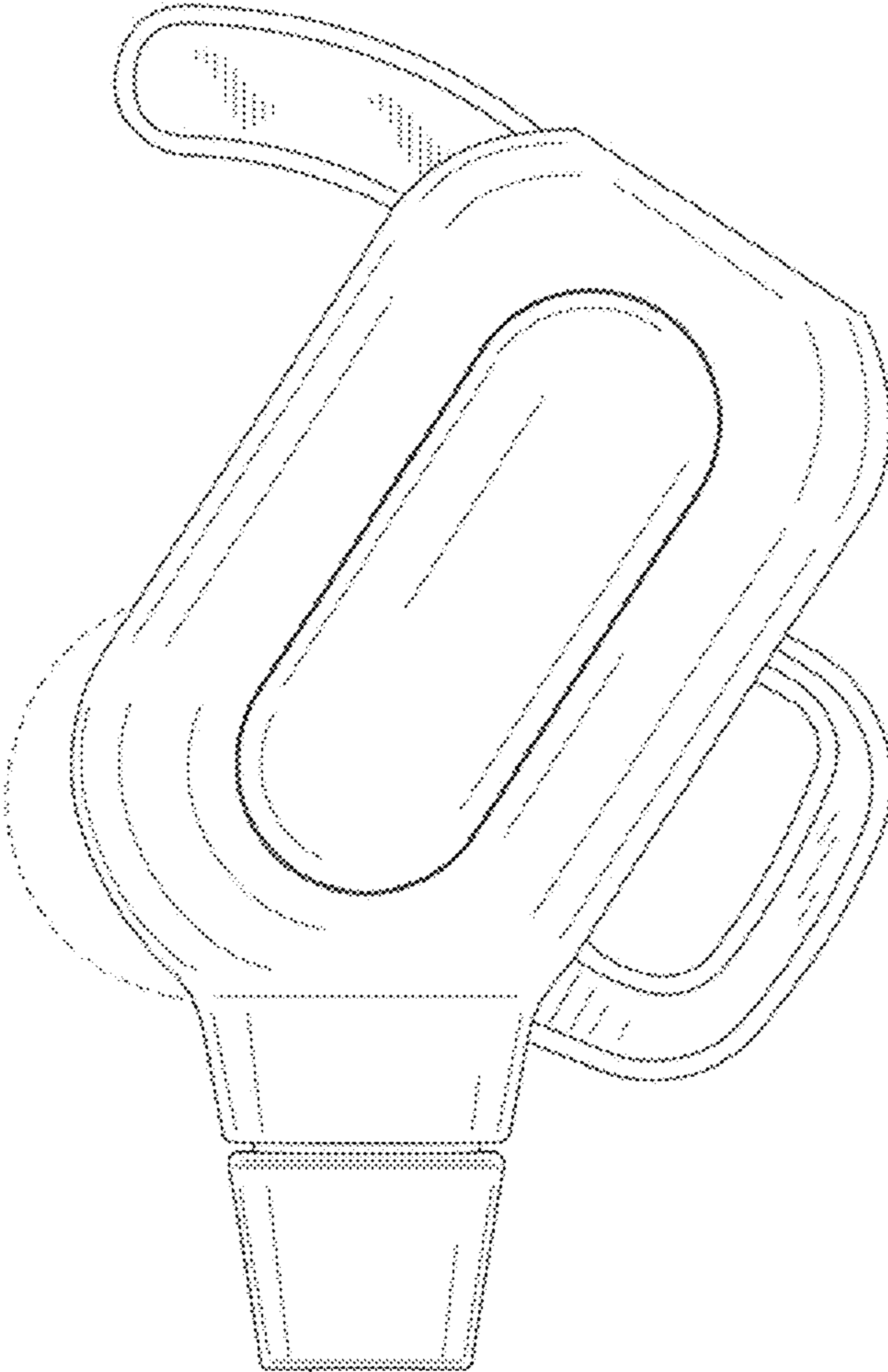


FIG. 2

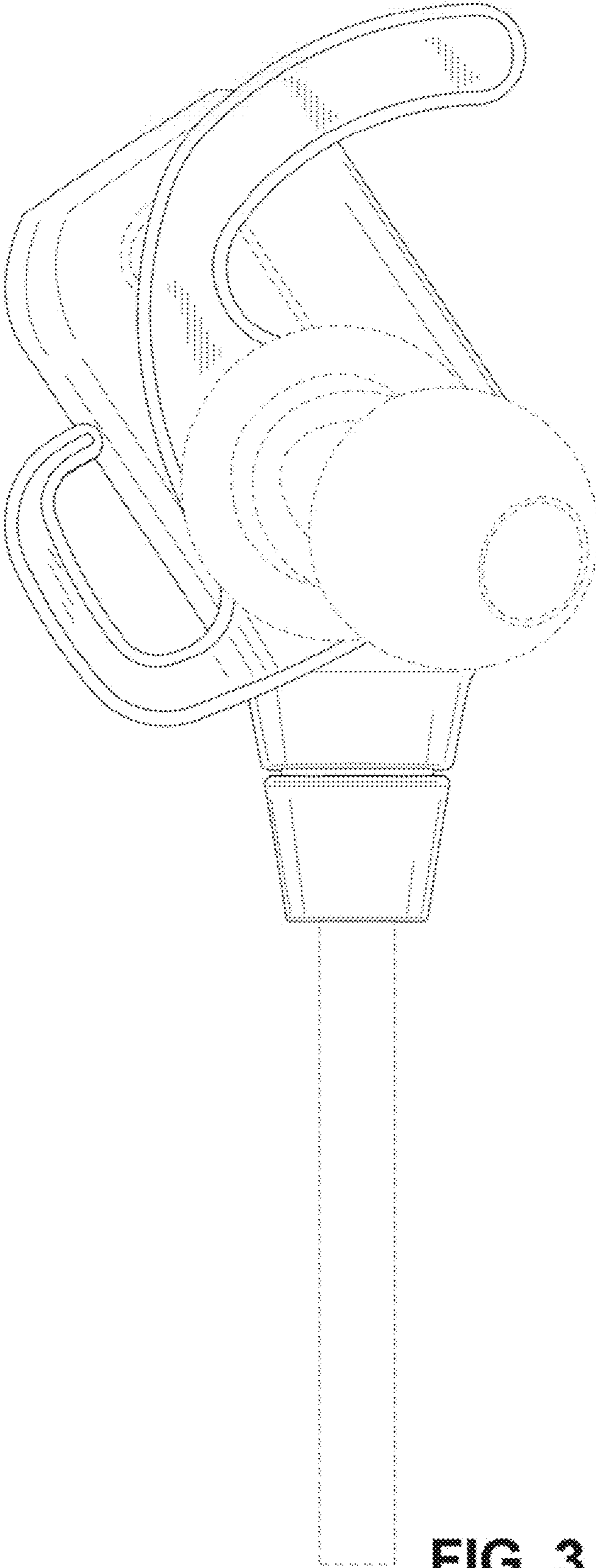


FIG. 3

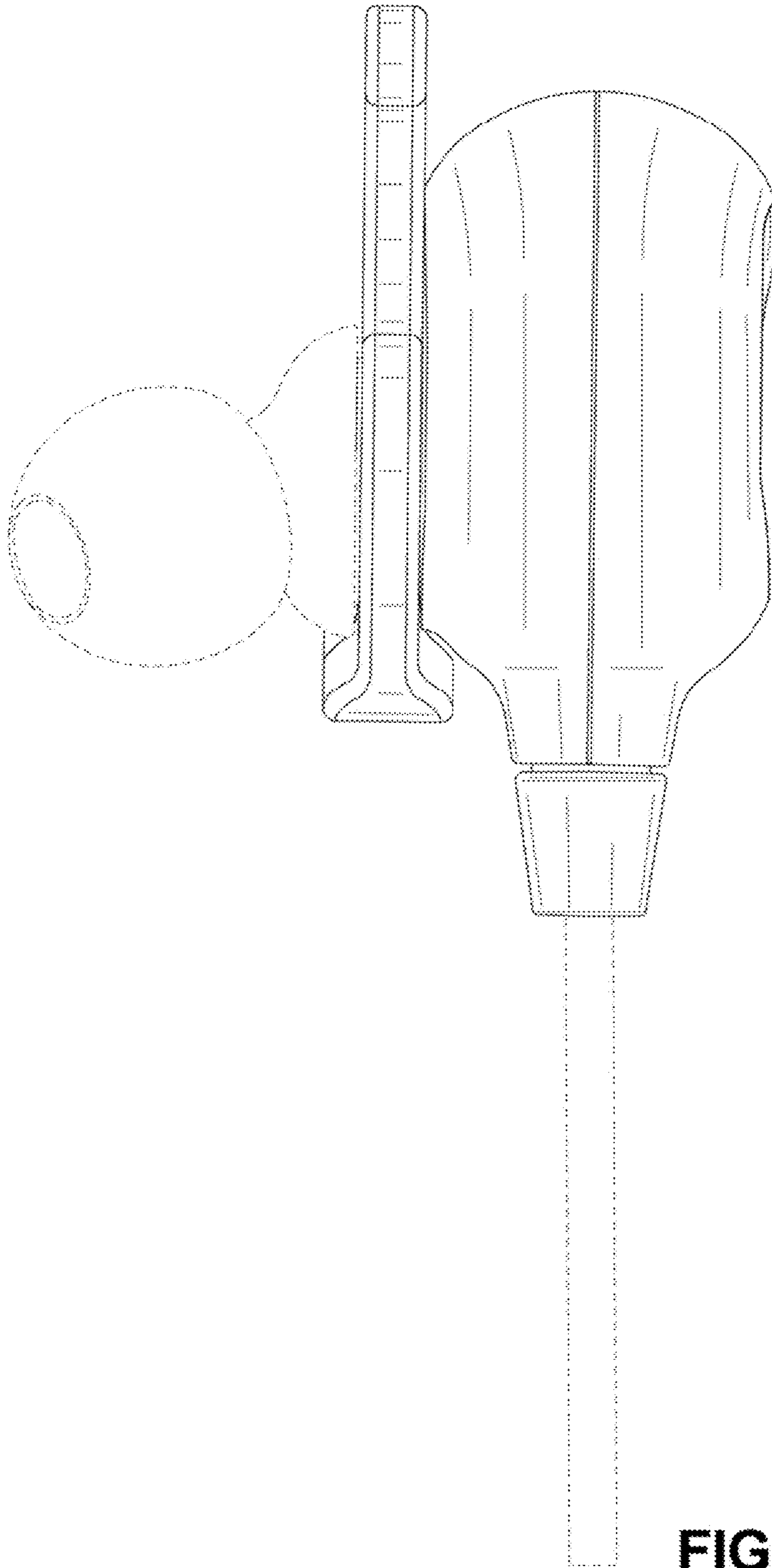


FIG. 4

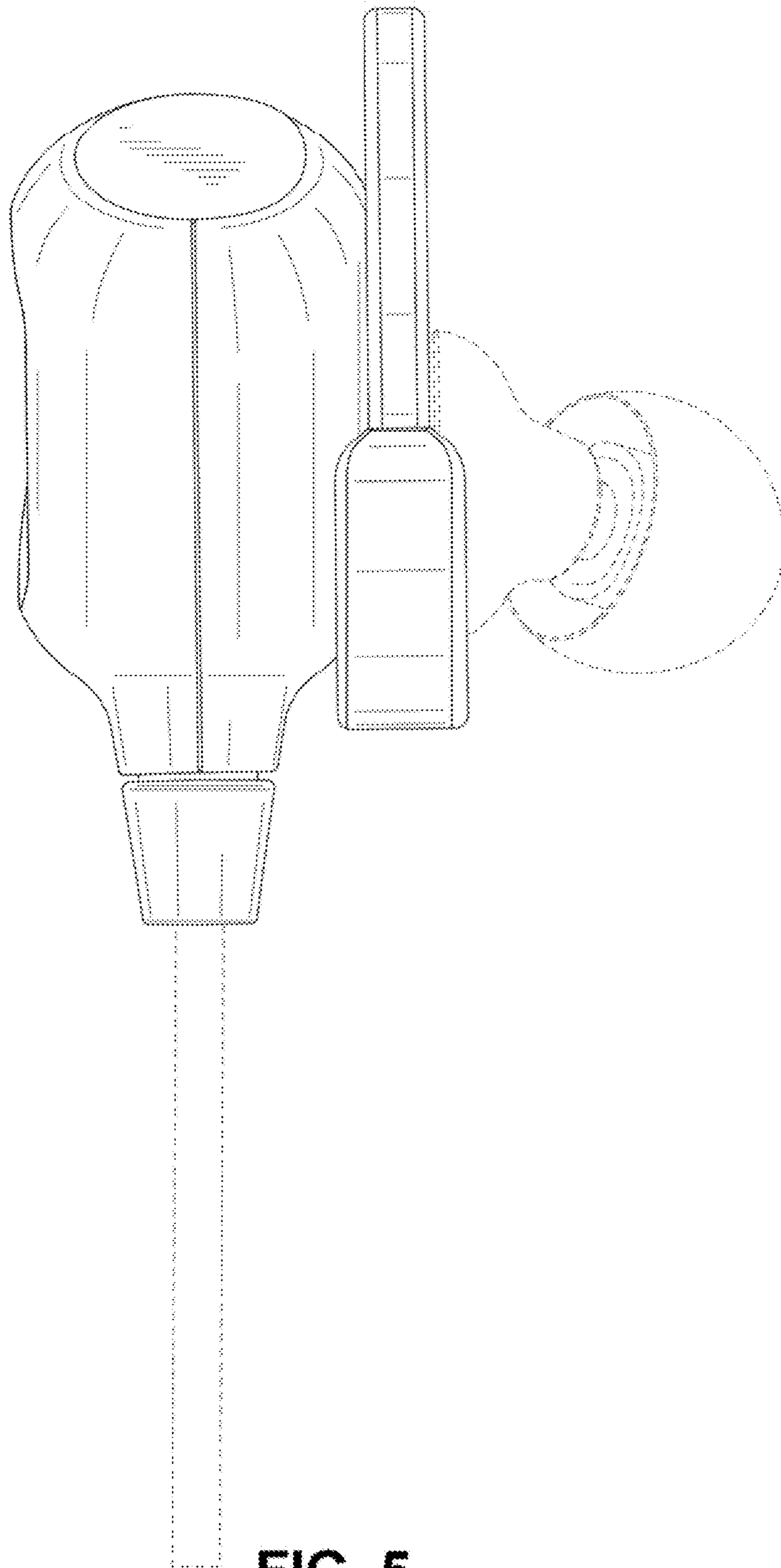


FIG. 5

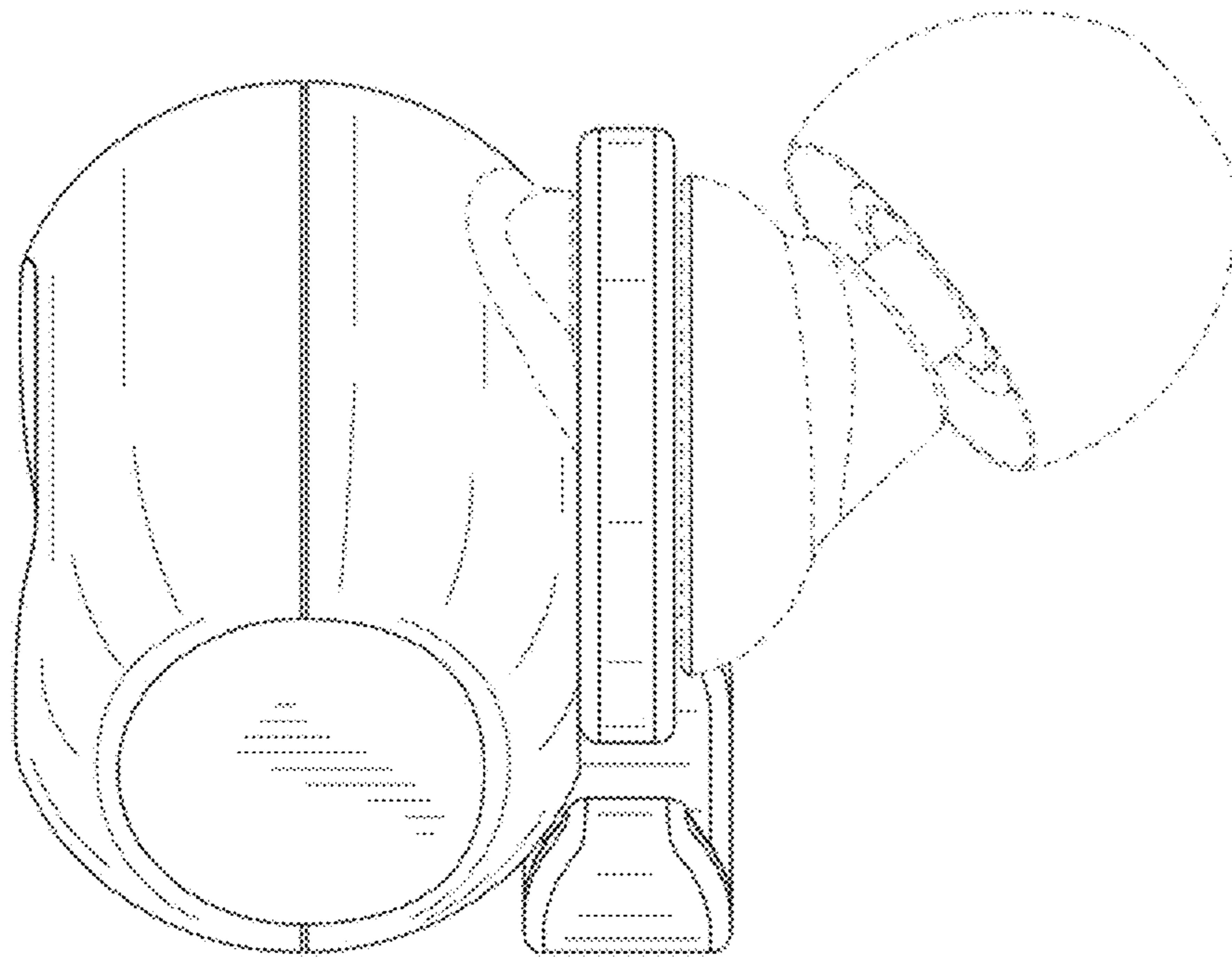


FIG. 6

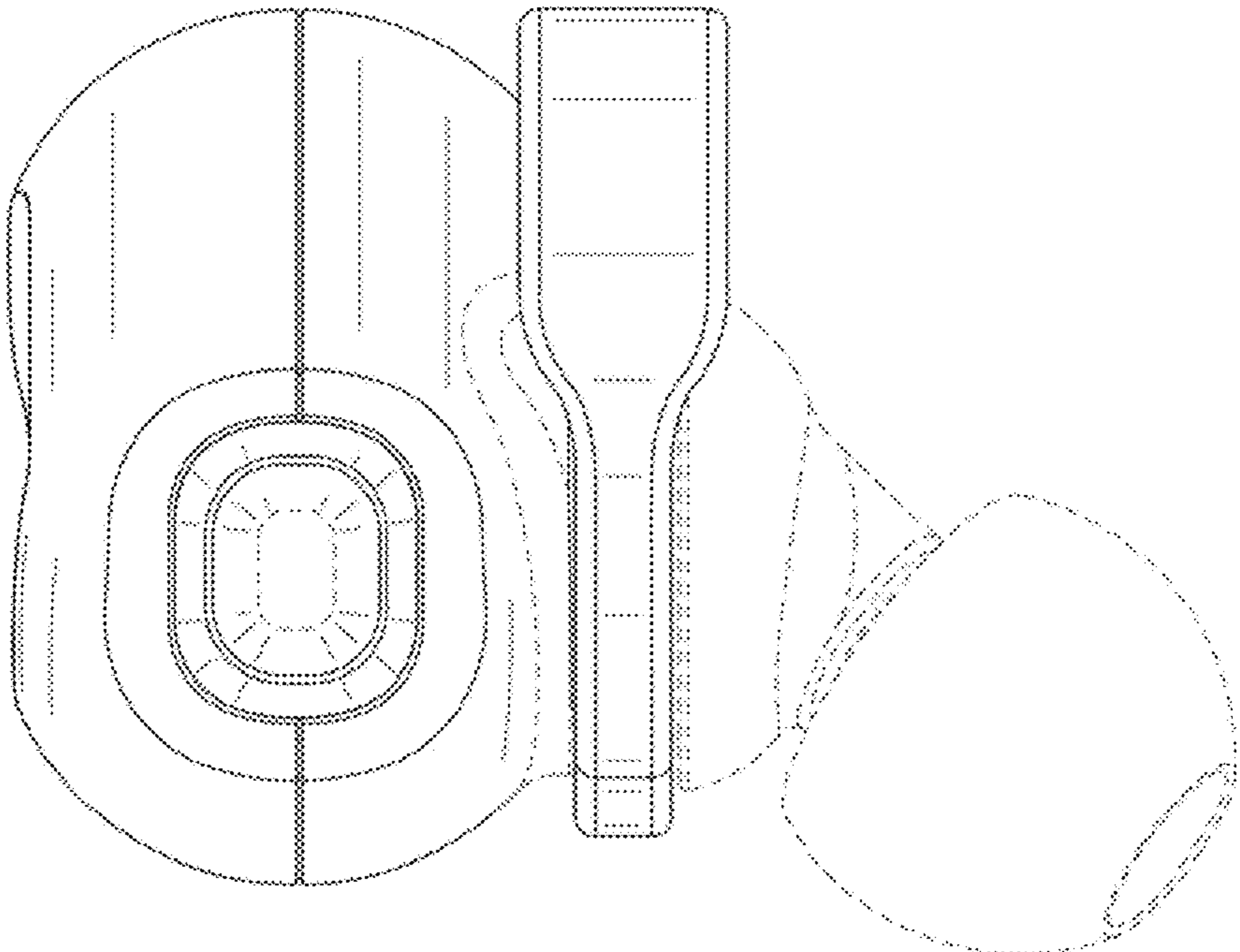


FIG. 7