



US00D845279S

(12) **United States Design Patent**
Huang

(10) **Patent No.:** **US D845,279 S**
(45) **Date of Patent:** **** Apr. 9, 2019**

(54) **HOLSTER FOR A REMOTE CONTROL**

FOREIGN PATENT DOCUMENTS

(71) Applicant: **Tele-Radio i Lysekil AB**, Askim (SE)

EM 000363452-0003 6/2005
EM 000431895-0001 11/2005

(72) Inventor: **Peak Huang**, Xiamen (CN)

(Continued)

(73) Assignee: **Tele-Radio i Lysekil AB**, Askim (SE)

OTHER PUBLICATIONS

(**) Term: **15 Years**

Amazon.com: TotalMount Roku Remote Holder, review Nov. 10, 2015, site visited Nov. 21, 2017, https://www.amazon.com/dp/B00Y3Z5KGW/ref=asc_df_B00Y3Z5KGW5276979/?tag=. . .*

(21) Appl. No.: **29/561,447**

(Continued)

(22) Filed: **Apr. 15, 2016**

Related U.S. Application Data

Primary Examiner — John Windmuller

(62) Division of application No. 29/499,760, filed on Aug. 19, 2014, now Pat. No. Des. 776,090.

Assistant Examiner — John R Yeh

(74) *Attorney, Agent, or Firm* — Renner, Otto, Boisselle and Sklar, LLP

(30) **Foreign Application Priority Data**

Feb. 20, 2014 (EM) 001403794

(51) **LOC (11) Cl.** **14-03**

(52) **U.S. Cl.**
USPC **D14/218**

(58) **Field of Classification Search**
USPC D14/218; D13/168, 108; D6/682, 675;
D3/222, 218

CPC B65D 85/00
See application file for complete search history.

(57) **CLAIM**

The ornamental design for a holster for a remote control, as shown and described.

(56) **References Cited**

U.S. PATENT DOCUMENTS

D243,980 S * 4/1977 Mankowski D6/682
4,028,515 A 6/1977 Desio et al.
4,803,473 A * 2/1989 Taylor H04B 1/034
340/539.1
D303,107 S * 8/1989 Maglica D13/108
D312,072 S 11/1990 Bergeron
D328,902 S 8/1992 Lee

(Continued)

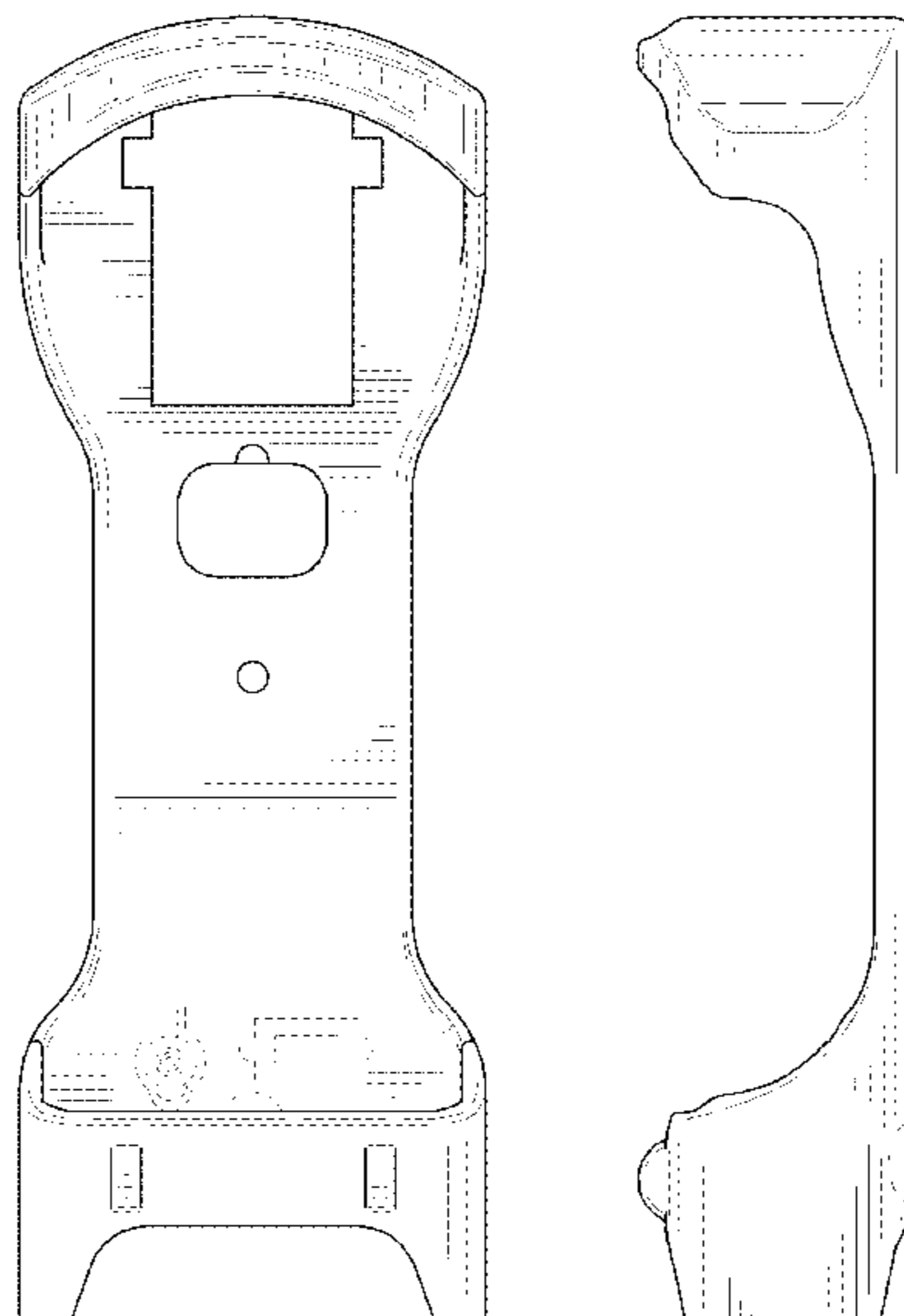
DESCRIPTION

FIG. 1 is a front view of a holster for a remote control showing my new design;
FIG. 2 is a left side view thereof;
FIG. 3 is a right side view thereof;
FIG. 4 is a rear view thereof;
FIG. 5 is a top view thereof;
FIG. 6 is a bottom view thereof; and,
FIG. 7 is a rear view of the holster with the remote control inserted therein.

The broken line showing of a remote control in FIG. 7 is for the purpose of illustrating environment and forms no part of the claimed design.

The remaining broken lines represent portions of the holster for a remote control that form no part of the claimed design.

1 Claim, 7 Drawing Sheets



(56)

References Cited

U.S. PATENT DOCUMENTS

5,225,763 A * 7/1993 Krohn A61M 5/1413
320/115
D342,260 S 12/1993 Sakata
D350,528 S * 9/1994 Bent D13/108
D362,764 S * 10/1995 Dumatol, Jr. D6/682
D369,797 S * 5/1996 Hillier D13/108
D370,658 S * 6/1996 Siddoway D13/108
D372,145 S * 7/1996 Elmer D3/218
D372,455 S * 8/1996 Tiefenthal D13/108
D380,752 S * 7/1997 Hanson D13/168
D392,619 S * 3/1998 Ericksen D13/108
D396,580 S * 8/1998 Harper D6/682
D396,861 S 8/1998 Yamagishi
D402,966 S 12/1998 Lim
D416,909 S 11/1999 Renk
D417,220 S 11/1999 Godette et al.
D434,898 S * 12/2000 Jokinen D3/218
D436,083 S 1/2001 Kishita et al.
D488,145 S * 4/2004 Abdelal D14/144
D510,208 S * 10/2005 Klimas D13/107
D538,788 S 3/2007 Reimann et al.
D551,215 S 9/2007 Lee, Jr. et al.
D556,682 S * 12/2007 Ahlgren D13/108
D559,485 S * 1/2008 Fjellman D13/108
D568,827 S 5/2008 Ikeda et al.
D585,876 S 2/2009 Griffin
D604,271 S * 11/2009 Lewis D14/218

D617,746 S 6/2010 Choi
D631,853 S 2/2011 Choi et al.
D661,689 S 6/2012 Weitgasser
D709,447 S * 7/2014 Ibuki D13/108
D724,314 S * 3/2015 Faifer D3/222
D724,547 S 3/2015 Baldwin et al.
D746,239 S * 12/2015 Higgins D13/168
D753,095 S * 4/2016 Jou D14/218
D794,324 S * 8/2017 Roccisano D3/222
D801,041 S * 10/2017 Lance D3/222
2006/0091029 A1 * 5/2006 Tawanapoor A47G 19/24
206/320
2013/0177318 A1 7/2013 Jubilo et al.

FOREIGN PATENT DOCUMENTS

EM 000433115-0001 11/2005
EM 000649371-0006 1/2007
EM 000802731-0005 * 10/2007
EM 001403794-0003 * 4/2014
TR 2005-02382 7/2005

OTHER PUBLICATIONS

Industrial radio remote, video date Dec. 12, 2012, online, https://www.youtube.com/watch?v=p7PgJn_OIVo, site visited Oct. 6, 2015.

* cited by examiner

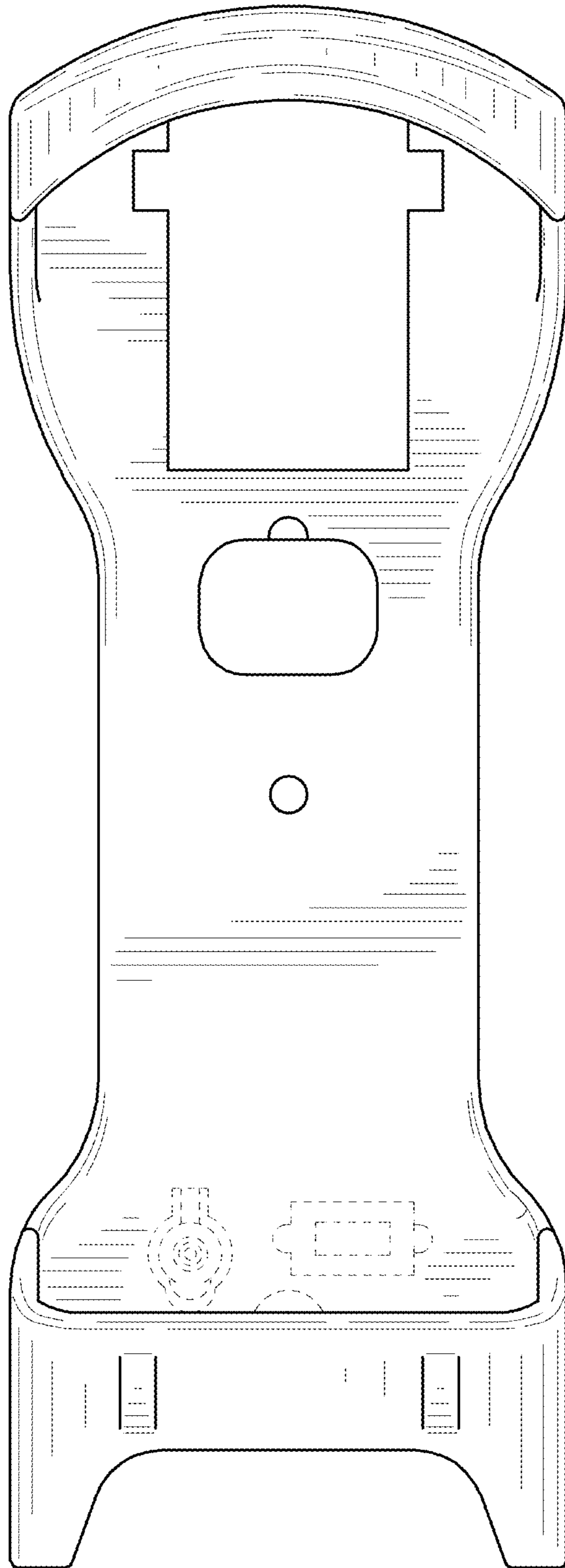


FIG. 1

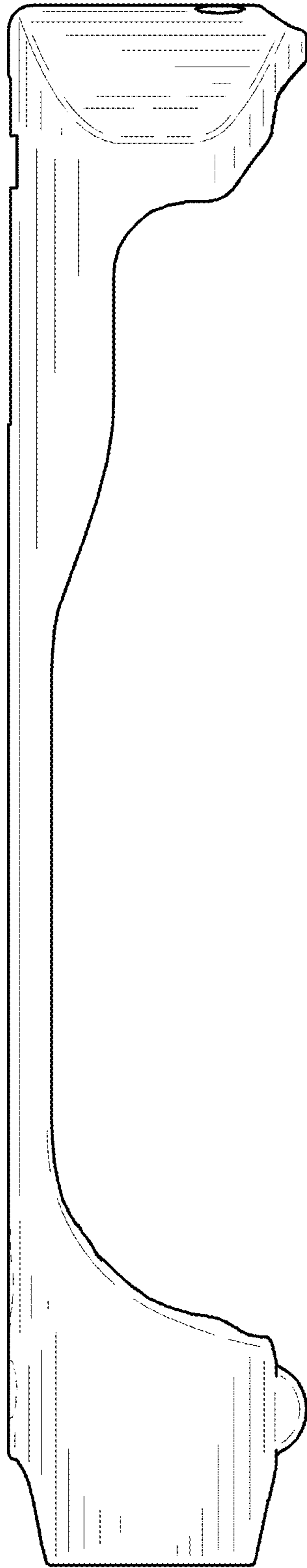


FIG. 2

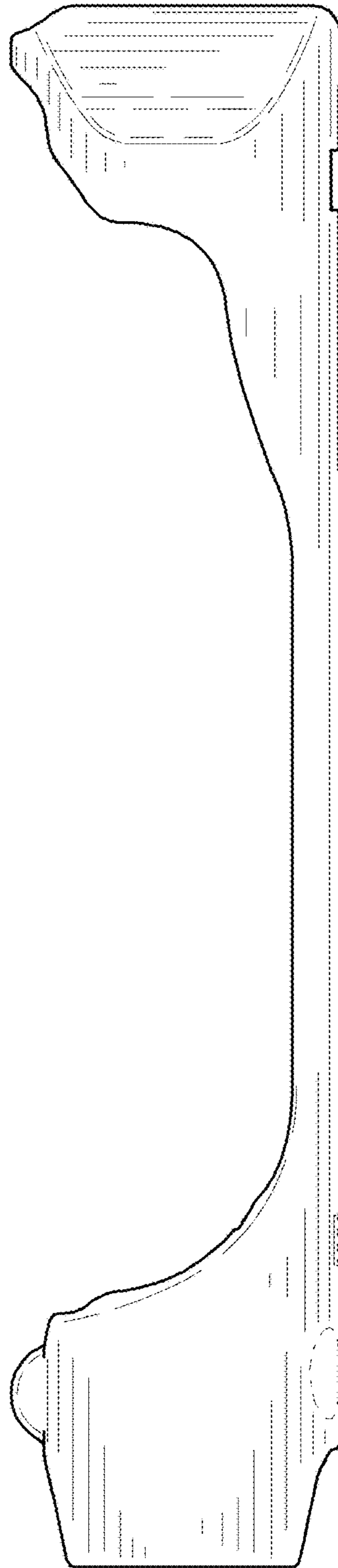


FIG. 3

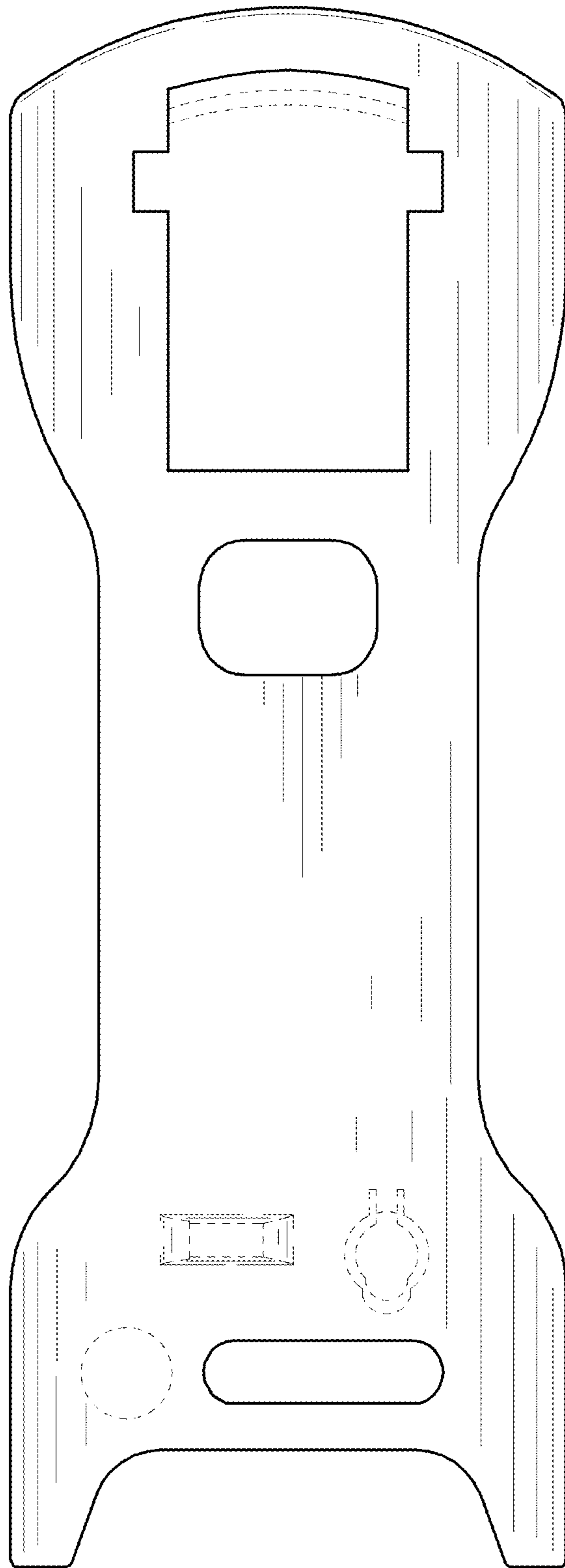


FIG. 4

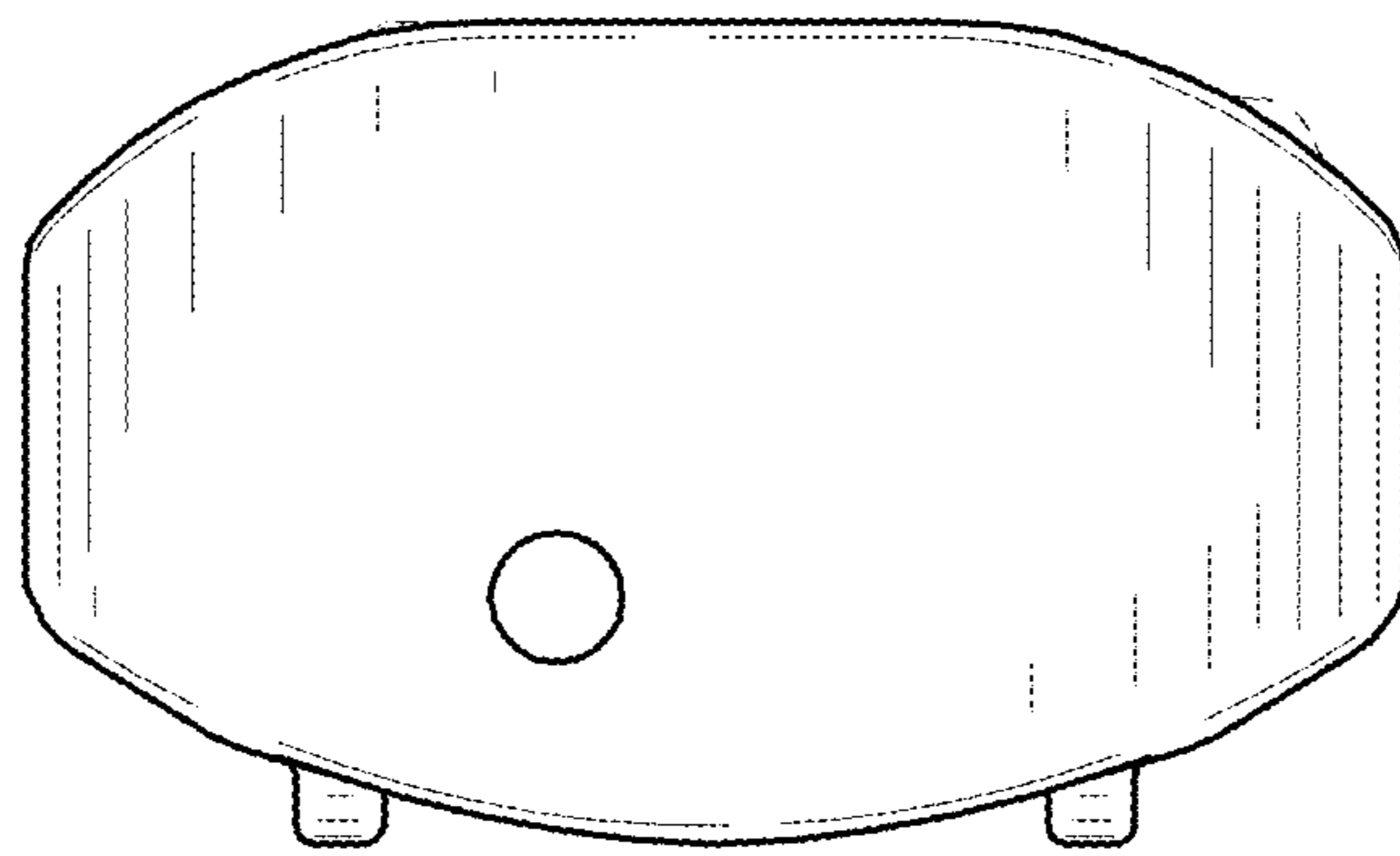


FIG. 5

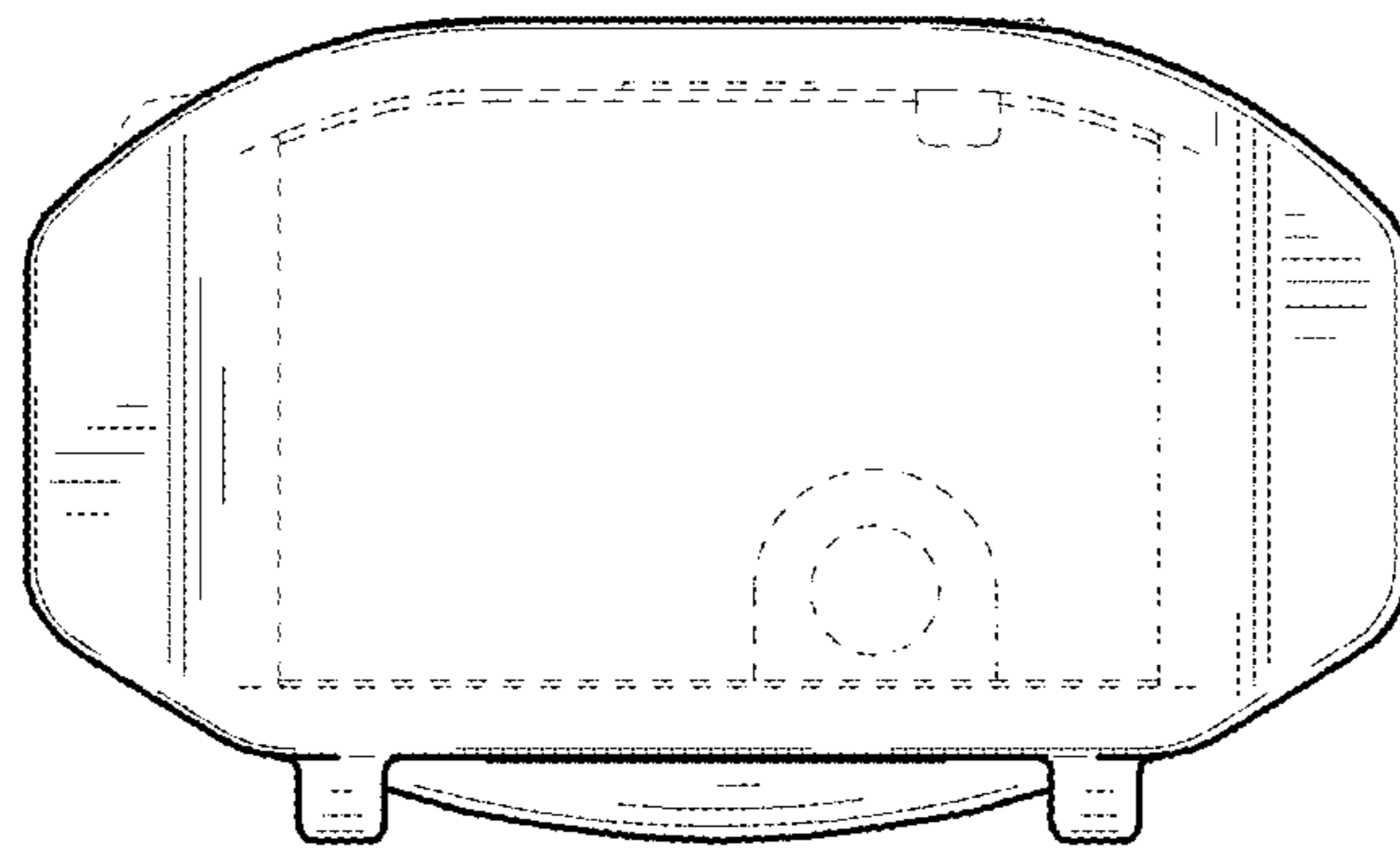


FIG. 6

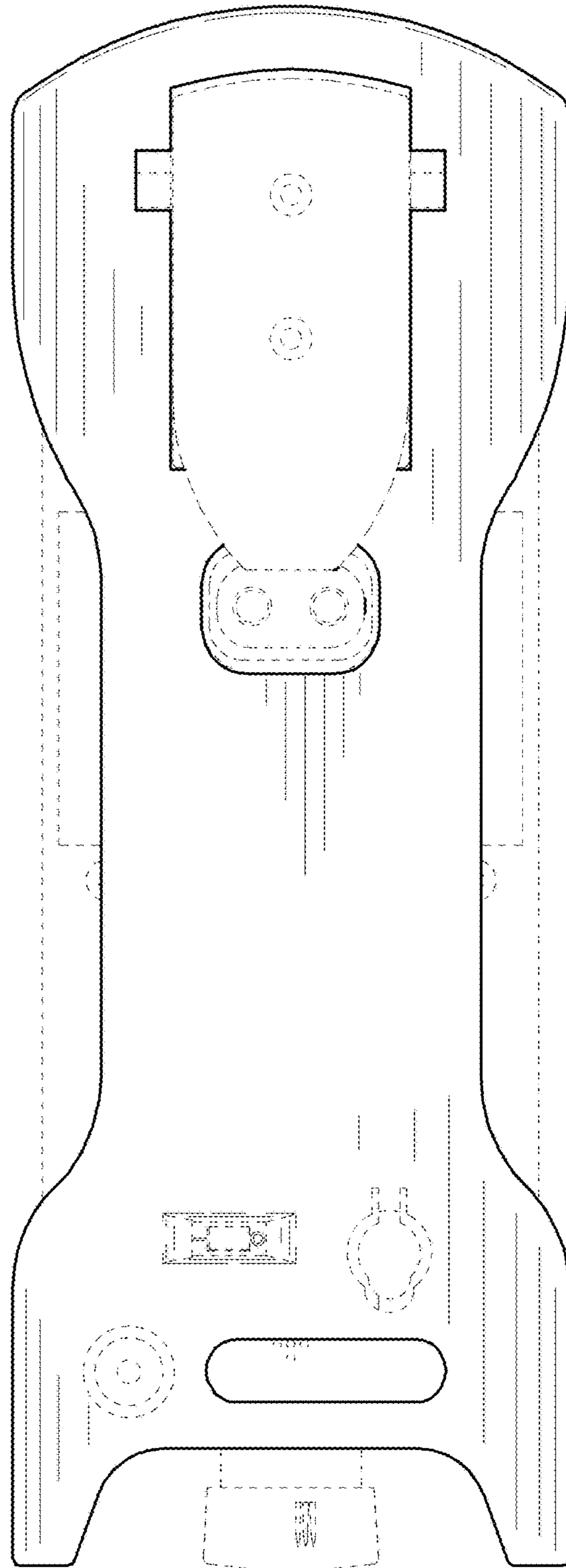


FIG. 7