



US00D845278S

(12) **United States Design Patent**  
**Christie et al.**

(10) **Patent No.:** **US D845,278 S**  
(45) **Date of Patent:** **\*\* Apr. 9, 2019**

(54) **SUPPORT STAND FOR AN ELECTRONIC HOUSING**

(71) Applicant: **Microsoft Corporation**, Redmond, WA (US)

(72) Inventors: **Brett D. Christie**, Seattle, WA (US); **Bryan A. Sparks**, Sammamish, WA (US); **Carl J. Ledbetter**, Mercer Island, WA (US); **Gregory Jones**, Seattle, WA (US); **Nicolas Denhez**, Seattle, WA (US); **Scott Dallmeyer**, Seattle, WA (US)

(73) Assignee: **Microsoft Corporation**, Redmond, WA (US)

(\*\*) Term: **15 Years**

(21) Appl. No.: **29/607,145**

(22) Filed: **Jun. 9, 2017**

(51) **LOC (11) Cl.** ..... **14-01**

(52) **U.S. Cl.**  
USPC ..... **D14/217**; D14/447

(58) **Field of Classification Search**  
USPC ..... D14/144, 217, 224, 251–253, 434, 447, D14/451–452, 238; D13/108; D6/672, D6/675, 682, 682.3  
CPC ..... Y10S 248/918; F16M 2200/08  
See application file for complete search history.

(56) **References Cited**

**U.S. PATENT DOCUMENTS**

D135,891 S *	6/1943	Norton et al.	.....	D14/251
D139,369 S *	11/1944	Dann	.....	D14/251
D287,365 S *	12/1986	Judd	.....	D14/447
D293,493 S *	12/1987	Garr	.....	D6/406.6
D327,991 S *	7/1992	Oldorf	.....	221/92
D330,021 S *	10/1992	Kline	.....	D14/447
5,196,993 A	3/1993	Herron et al.		
D336,287 S *	6/1993	Mizusugi	.....	D14/434
D338,882 S *	8/1993	Reiter	.....	D14/447

(Continued)

**FOREIGN PATENT DOCUMENTS**

JP	2002246639 A	8/2002
JP	2002323633 A	11/2002
JP	2003008054 A	1/2003

**OTHER PUBLICATIONS**

Apr. 5, 2017—U.S. Final Office Action—U.S. Appl. No. 29/564,511, filed May 13, 2016; Inv.: Bryan A. Sparks.

(Continued)

*Primary Examiner* — Cathron C Brooks

*Assistant Examiner* — Sharon S Oum

(74) *Attorney, Agent, or Firm* — Banner & Witcoff, Ltd.

(57) **CLAIM**

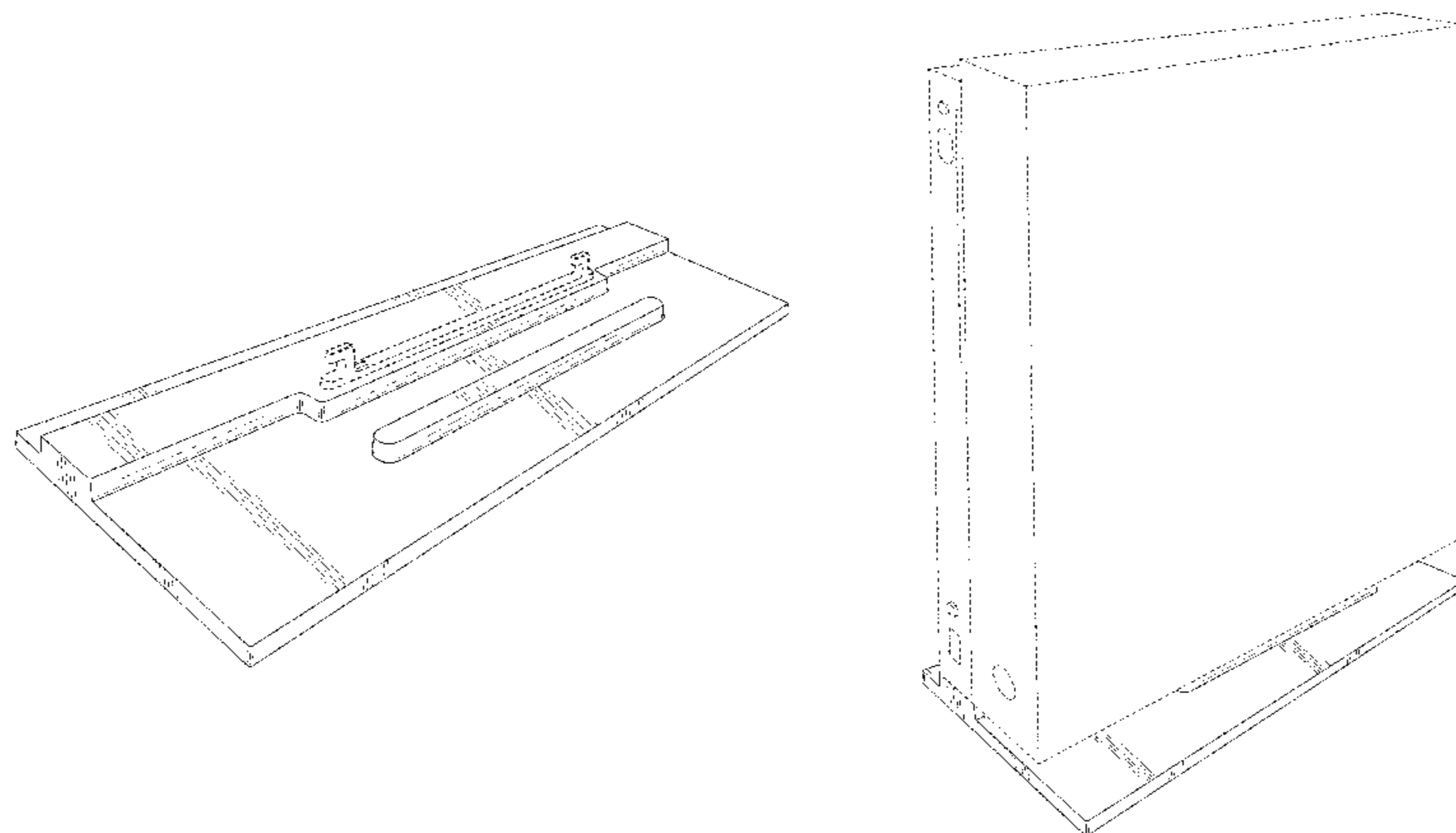
The ornamental design for a support stand for an electronic housing, as shown and described.

**DESCRIPTION**

FIG. 1 is a front perspective view of a support stand for an electronic housing showing our new design; FIG. 2 is a front view thereof; FIG. 3 is a rear view thereof; FIG. 4 is a left side view thereof; FIG. 5 is a right side view thereof; FIG. 6 is a top view thereof; FIG. 7 is a bottom view thereof; and, FIG. 8 is a front perspective view of the support stand for an electronic housing of FIGS. 1-7 shown in an in-use configuration for environmental purposes with a disclaimed electronic housing.

The broken lines shown in FIG. 8 illustrate environmental structure, and the broken lines in the remaining views illustrate portions of the support stand for an electronic housing. The broken lines form no part of the claimed design.

**1 Claim, 6 Drawing Sheets**



(56)

References Cited

U.S. PATENT DOCUMENTS

D341,280 S 11/1993 Garmon  
D362,243 S \* 9/1995 Spechts ..... D14/447  
D369,789 S 5/1996 Lucente, II et al.  
D378,676 S \* 4/1997 Goodman ..... D14/447  
D393,451 S 4/1998 Faranda et al.  
D395,640 S \* 6/1998 Goodman ..... D14/447  
D402,641 S 12/1998 Heijnen  
5,914,707 A 6/1999 Kono  
D412,319 S 7/1999 Lee et al.  
D415,740 S 10/1999 Lee et al.  
D415,741 S 10/1999 Lee et al.  
D416,547 S 11/1999 Lee et al.  
D425,731 S \* 5/2000 So ..... D6/675  
6,115,249 A 9/2000 Cipolla et al.  
D435,272 S 12/2000 Swanson et al.  
D438,543 S 3/2001 Goto  
D441,759 S 5/2001 Goto  
D452,282 S 12/2001 Stewart et al.  
D452,495 S 12/2001 Murnaghan et al.  
D452,867 S 1/2002 Goto  
D454,136 S 3/2002 Deuschle  
D458,269 S 6/2002 Goto  
6,497,013 B1 \* 12/2002 Goto ..... F16M 11/10  
248/346.01  
D472,403 S \* 4/2003 Bogish ..... D6/675  
6,565,444 B2 5/2003 Nagata et al.  
6,599,194 B1 7/2003 Smith et al.  
D486,492 S 2/2004 Sheu et al.  
6,908,387 B2 6/2005 Hedrick et al.  
6,930,600 B1 8/2005 Hsieh  
6,941,181 B1 9/2005 Mathurin  
D524,242 S 7/2006 Adams et al.  
7,090,582 B2 8/2006 Danieli et al.  
D554,582 S 11/2007 Iseki  
D557,680 S 12/2007 Corsini  
D561,186 S 2/2008 Kawase  
D568,276 S 5/2008 Ikeda et al.  
D576,686 S 9/2008 Ashida et al.  
D606,094 S 12/2009 Kimura  
D610,625 S 2/2010 Guinchard et al.  
D641,024 S 7/2011 Zenri et al.  
D647,918 S 11/2011 Ledbetter et al.  
D650,448 S 12/2011 Zenri et al.  
D655,351 S 3/2012 Zenri et al.  
D656,555 S 3/2012 Zenri et al.  
D657,788 S 4/2012 Ledbetter et al.  
D664,993 S 8/2012 Ledbetter et al.  
D665,424 S 8/2012 Ledbetter et al.  
D666,680 S 9/2012 Mercier et al.  
D680,174 S 4/2013 Mercier et al.  
D685,795 S 7/2013 Paschke et al.  
D692,009 S 10/2013 Ashida et al.  
D692,437 S 10/2013 Sugino et al.  
D693,297 S \* 11/2013 Inskeep ..... D13/103  
D700,246 S 2/2014 Jacobs et al.  
D701,213 S 3/2014 Pajic  
D705,361 S 5/2014 Jacobs et al.  
D705,869 S 5/2014 Jacobs et al.  
D705,870 S 5/2014 Jacobs et al.  
D705,871 S 5/2014 Jacobs et al.  
D709,133 S 7/2014 Jacobs et al.  
D709,134 S 7/2014 Dallmeyer et al.  
D709,959 S 7/2014 Jacobs et al.  
D711,885 S \* 8/2014 Ohshima ..... D14/434  
D711,923 S 8/2014 Dallmeyer et al.  
D712,350 S 9/2014 Smith et al.  
D713,420 S 9/2014 Dallmeyer et al.  
D719,958 S 12/2014 Dallmeyer et al.  
D721,138 S 1/2015 Barinaga et al.  
D722,116 S 2/2015 Gottschalk  
D725,658 S \* 3/2015 Stevenson ..... D14/434  
D726,729 S 4/2015 Lim  
D730,905 S \* 6/2015 Li ..... D14/434  
D732,036 S \* 6/2015 Lee ..... D14/434  
D747,322 S 1/2016 Li

D766,984 S 9/2016 Chatterjee et al.  
D766,985 S 9/2016 Chatterjee et al.  
D768,639 S 10/2016 Sumii  
D805,086 S \* 12/2017 Sparks ..... D14/471  
D805,132 S 12/2017 Sparks et al.  
D805,133 S 12/2017 Sparks et al.

OTHER PUBLICATIONS

Aug. 21, 2017—U.S. Notice of Allowance—U.S. Appl. No. 29/564,511, filed May 13, 2016; Inv.: Bryan A. Sparks.  
Jan. 3, 2014—U.S. Notice of Allowance—U.S. Appl. No. 29/447,078, filed Feb. 28, 2013; Inv.: Joel B. Jacobs.  
Jan. 6, 2014—U.S. Non-Final Office Action—U.S. Appl. No. 29/447,082, filed Feb. 28, 2013; Inv.: Joel B. Jacobs.  
Mar. 12, 2014—U.S. Notice of Allowance—U.S. Appl. No. 29/447,082, filed Feb. 28, 2013; Inv.: Joel B. Jacobs.  
Jan. 6, 2014—U.S. Notice of Allowance—U.S. Appl. No. 29/447,085, filed Feb. 28, 2013; Inv.: Joel B. Jacobs.  
Jan. 2, 2014—U.S. Requirement for Restriction—U.S. Appl. No. 29/447,089, filed Feb. 28, 2013; Inv.: Joel B. Jacobs.  
Mar. 14, 2014—U.S. Notice of Allowance—U.S. Appl. No. 29/447,089, filed Feb. 28, 2013; Inv.: Joel B. Jacobs.  
Jan. 6, 2014—U.S. Notice of Allowance—U.S. Appl. No. 29/447,094, filed Feb. 28, 2013; Inv.: Joel B. Jacobs.  
Jan. 7, 2014—U.S. Notice of Allowance—U.S. Appl. No. 29/447,097, filed Feb. 28, 2013; Inv.: Joel B. Jacobs.  
Jan. 7, 2014—U.S. Notice of Allowance—U.S. Appl. No. 29/447,100, filed Feb. 28, 2013; Inv.: Joel B. Jacobs.  
Nov. 28, 2016—U.S. Non-Final Office Action—U.S. Appl. 29/564,514, filed May 13, 2016; Inv.: Bryan A Sparks.  
Apr. 5, 2017—U.S. Final Office Action—U.S. Appl. No. 29/564,514, filed May 13, 2016; Inv.: Bryan A Sparks.  
Aug. 23, 2017—U.S. Notice of Allowance—U.S. Appl. No. 29/564,514, filed May 13, 2016; Inv.: Bryan A Sparks.  
Apr. 5, 2017—U.S. Final Office Action—U.S. Appl. No. 29/564,518, filed May 13, 2016; Inv.: Bryan A Sparks.  
Aug. 23, 2017—U.S. Notice of Allowance—U.S. Appl. No. 29/564,518, filed May 13, 2016; Inv.: Bryan A Sparks.  
Apr. 5, 2017—U.S. Final Office Action—U.S. Appl. No. 29/564,522, filed May 13, 2016; Inv.: Bryan A Sparks.  
Aug. 23, 2017—U.S. Notice of Allowance—U.S. Appl. No. 29/564,522, filed May 13, 2016; Inv.: Bryan A Sparks.  
Apr. 21, 2017—U.S. Non-Final Office Action—App: 29/566,652, filed Jun. 1, 2016; Inv.: Bryan A Sparks.  
Sep. 13, 2017—U.S. Notice of Allowance—U.S. Appl. No. 29/566,652, filed Jun. 1, 2016; Inv.: Bryan A Sparks.  
Jun. 1, 2017—U.S. Non-Final Office Action—U.S. Appl. No. 29/564,601, filed May 13, 2016; Inv.: Bryan A Sparks.  
Apr. 5, 2017—U.S. Final Office Action—U.S. Appl. No. 29/564,527, filed May 13, 2016; Inv.: Bryan A Sparks.  
Aug. 23, 2017—U.S. Notice of Allowance—U.S. Appl. No. 29/564,527, filed May 13, 2016; Inv.: Bryan A Sparks.  
Way Back Machine [online], [retrieved Jan. 16, 2013]. Retrieved from Internet, <http://web.archive.org/web/20130116120917/http://www.klipsch.com/gallery-g17-air>.  
Nintendo NES [online], [retrieved on May 14, 2013]. Retrieved from Internet, &lt;[http://gamesdbase.com/system-nintendo\\_nes.aspx/](http://gamesdbase.com/system-nintendo_nes.aspx/)&gt;. “Nintendo Wii Review”, Top 10 Reviews ; URL: <<http://www.toptenreviews.com/electronics/gaming/best-video-game-consoles/nintendo-wii/review/>> ; date accessed Sep. 27, 2016.  
“PS4 Console”, PS4 Features, Games & Videos ; <URL:<https://www.playstation.com/en-us/explore/ps4/>> ; date accessed Sep. 27, 2016.  
“Sony Playstation 2”, The Video Game Critic’s Console Reviews ; <URL:<http://videogamecritic.com/ps2info.htm>> ; date accessed Sep. 27, 2016.  
X Box One S found online [Nov. 2, 2016] [http://www.xbox.com/en-US/xbox-one-s?&ocid=PORTALS\\_SEM\\_google\\_microsoft%20xbox&cid=PORTALS\\_SEM\\_google\\_microsoft%20xbox](http://www.xbox.com/en-US/xbox-one-s?&ocid=PORTALS_SEM_google_microsoft%20xbox&cid=PORTALS_SEM_google_microsoft%20xbox).  
Nov. 30, 2016—U.S. Non-Final Office Action—U.S. Appl. No. 29/564,527, filed May 13, 2016; Inv.: Bryan A. Sparks.

(56)

**References Cited**

## OTHER PUBLICATIONS

Nov. 28, 2016—U.S. Non-Final Office Action—U.S. Appl. No. 29/564,514, filed May 13, 2016; Inv.: Bryan A. Sparks.

Nov. 30, 2016—U.S. Non-Final Office Action—U.S. Appl. No. 29/564,511, filed May 13, 2016; Inv.: Bryan A. Sparks.

Nov. 28, 2016—U.S. Non-Final Office Action—U.S. Appl. No. 29/564,518, filed May 13, 2016; Inv.: Bryan A. Sparks.

Nov. 30, 2016—U.S. Non-Final Office Action—U.S. Appl. No. 29/564,522, filed May 13, 2016; Inv.: Bryan A. Sparks.

AVS Forum; “Receivers, Amps, and Processors”; Publication date unknown but prior to filing date of present application; Date Accessed: Jul. 25, 2017; URL: <<http://www.avforum.com/forum/90-receivers-amps-processors/1502957-onkyo-tx-sr601-any-good.html>>.

Ixbt.com; “DolbyDigital Surround EX, DTS-ES 6.1”; Publication date unknown but prior to filing date of present application; Date Accessed: Jul. 25, 2017; URL: <<http://www.ixbt.com/dvd/onkyo-tx-sr-600.shtml>>.

Grey Ghost; “Insignia NS-R2000 Stereo Receiver Review”; Publication date unknown but prior to filing date of present application; Date Accessed: Jul. 25, 2017; URL: <<http://greyghost.moos.com/nsr2000-review/>>.

Crutch Field; “Cambridge Audio Topaz SR20”; Publication date unknown but prior to filing date of present application; Date Accessed: Jul. 25, 2017; URL: <[https://www1.crutchfield.com/p\\_779SR20/Cambridge-Audio-Topaz-SR20.html](https://www1.crutchfield.com/p_779SR20/Cambridge-Audio-Topaz-SR20.html)>.

Stereophile; “Arcam FMJ SR250 stereo AV receiver”; Publication date: Jun. 1, 2017; Date Accessed: Jul. 25, 2017; URL: <<https://www.stereophile.com/taxonomy/term-p/143>>.

Electronic House; “Affordable 2-channel Receivers for Great Home Stereo Systems”; Publication date: Apr. 1, 2015; Date Accessed: Jul. 25, 2017; URL: <<https://www.electronichouse.com/home-audio/affordable-2-channel-receivers-great-home-stereo-systems/>>.

Audi Affair; “Arcam FMJ C49 Pre Amplifier”; Publication date unknown but prior to filing date; Date Accessed: Jul. 25, 2017; URL: <<http://audioaffair.co.uk/arcam-c49-pre-amplifier>>.

Hifi-Prestige; “Arcam FMJ A 39”; Publication date unknown but prior to filing date; Date Accessed: Jul. 25, 2017; URL: <<http://www.hifiprestige.it/it/amplificatori-integrati/7517-arcam-fmj-a-39.html>>.

Hifi-Prestige; “Arcam FMJ AVR 550”; Publication date unknown but prior to filing date; Date Accessed: Jul. 25, 2017; URL: <<http://www.hifiprestige.it/it/sintoamplificatori-a-v/9343-arcam-fmj-avr-550.html>>.

Hifi-Prestige; “Arcam FMJ C 49”; Publication date unknown but prior to filing date; Date Accessed: Jul. 25, 2017; URL: <<http://www.hifiprestige.it/it/preamplificatori/7514-arcam-fmj-c-49.html>>.

Hifi-Prestige; “Arcam FMJ UDP 411”; Publication date unknown but prior to filing date; Date Accessed: Jul. 25, 2017; URL: <<http://www.hifiprestige.it/it/accessori-multimediali/7519-arcam-fmj-udp-411.html>>.

Hifi-Prestige; “Arcam FMJ A19 Black—Amplificatore Integrato”; Publication date unknown but prior to filing date; Date Accessed: Jul. 25, 2017; URL: <<http://www.hifiprestige.it/it/amplificatori-integrati/6523-arcam-fmj-a19-black.html>>.

Best Buy; “Insignia—200W 2.0-Ch. Stereo Receiver—Black”; Publication date unknown but prior to filing date; Date Accessed: Jul. 25, 2017; URL: <<http://www.bestbuy.com/site/insignia-200w-2-0-ch-stereo-receiver-black/4156007.p?skuId=4156007>>.

Best Buy; “Yamaha—165W 2.0-Ch. Stereo Receiver—Black”; Publication date unknown but prior to filing date; Date Accessed: Jul. 25, 2017; URL: <<http://www.bestbuy.com/site/yamaha-165w-2-0-ch-stereo-receiver-black/3817026.p?skuId=3817026>>.

Best Buy; “Denon—AVR 5.2-Ch. 4K Ultra HD and 3D Pass-Through A/V Home Theater Receiver—Black”; Publication date unknown but prior to filing date; Date Accessed: Jul. 25, 2017; URL: <<http://www.bestbuy.com/site/denon-avr-5-2-ch-4k-ultra-hd-and-3d-pass-through-a-v-home-theater-receiver-black/5756606.p?skuId=5756606>>.

Best Buy; “Yamaha—5.1-Ch. 4K Ultra HD and 3D Pass-Through A/V Home Theater Receiver—Black”; Publication date unknown but prior to filing date; Date Accessed: Jul. 25, 2017; URL: <<http://www.bestbuy.com/site/yamaha-5-1-ch-4k-ultra-hd-and-3d-pass-through-a-v-home-theater-receiver-black/5784593.p?skuId=5784593>>.

\* cited by examiner

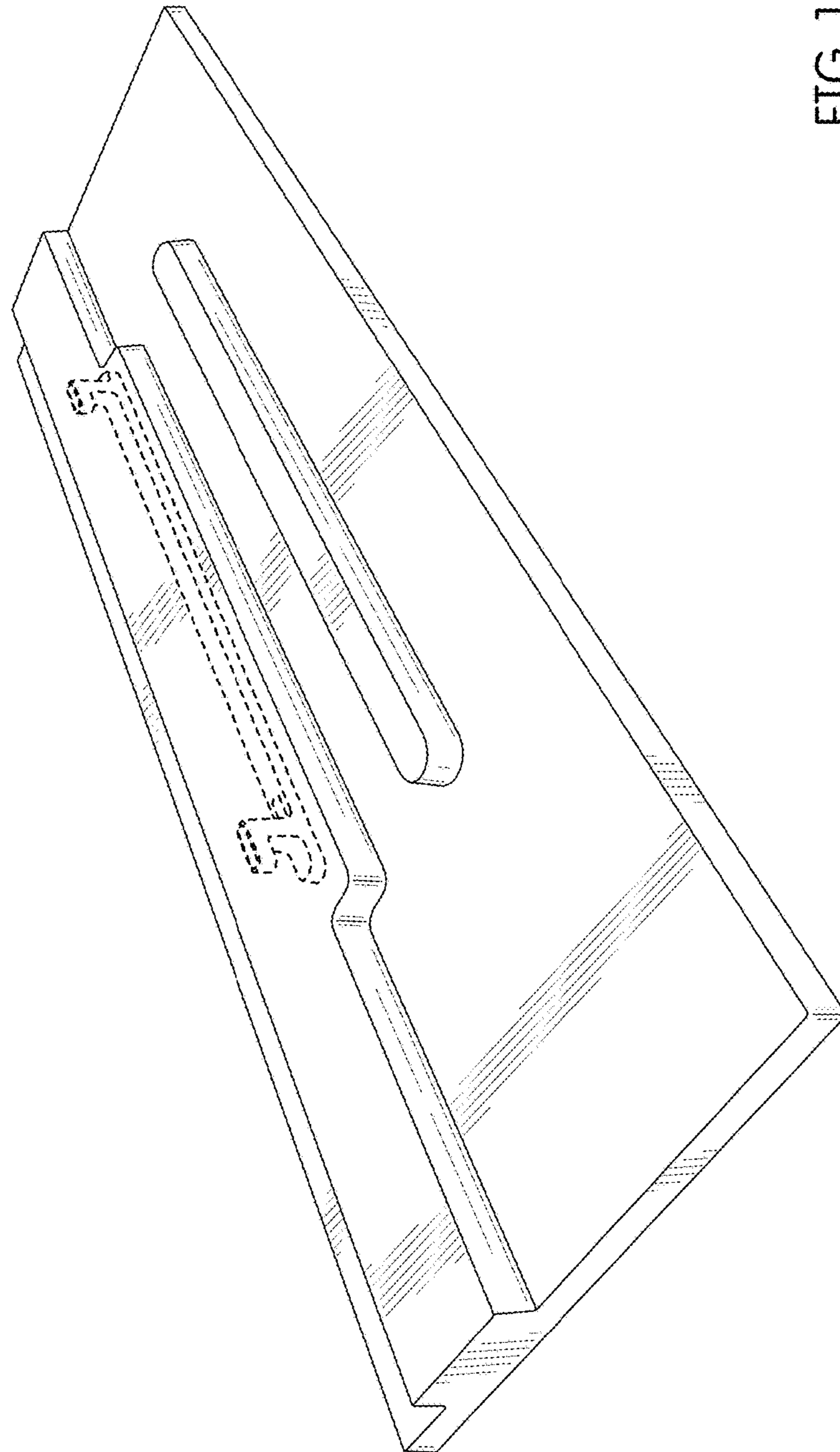


FIG. 1

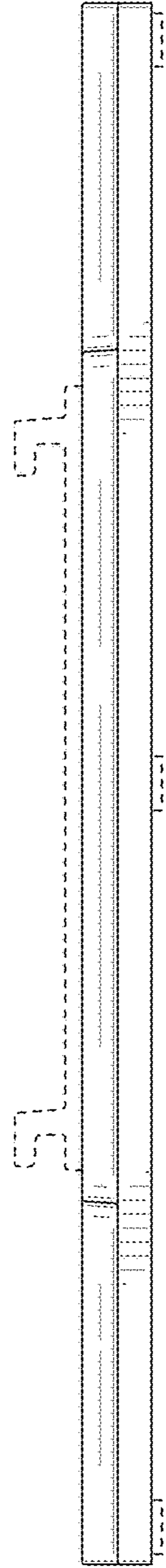


FIG. 2

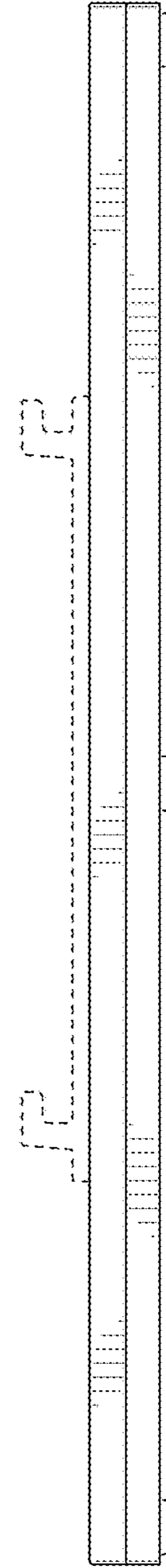


FIG. 3

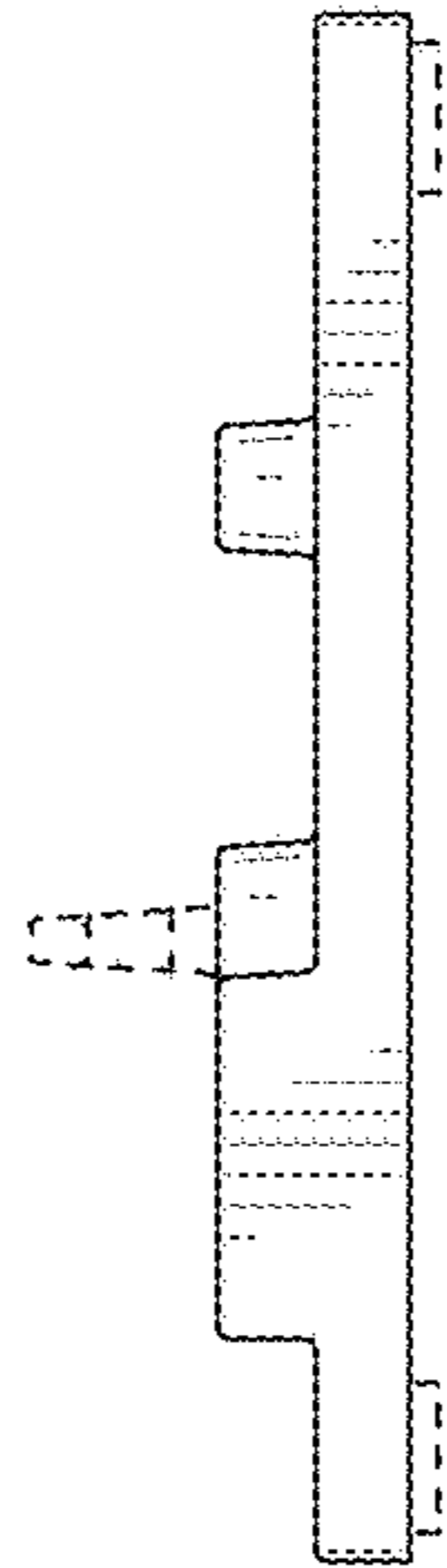


FIG. 4

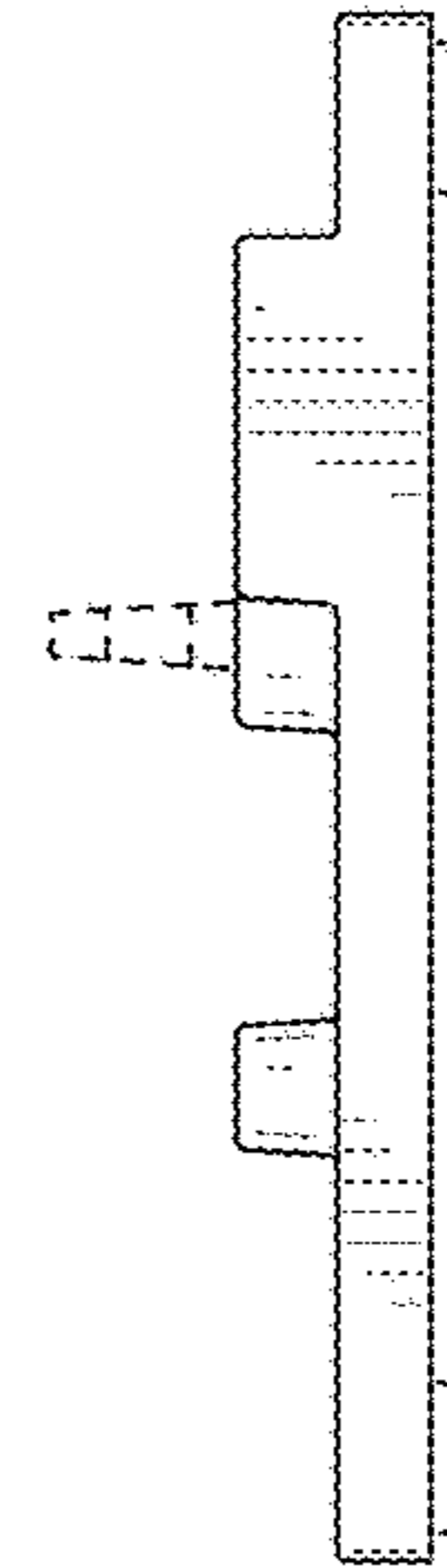


FIG. 5

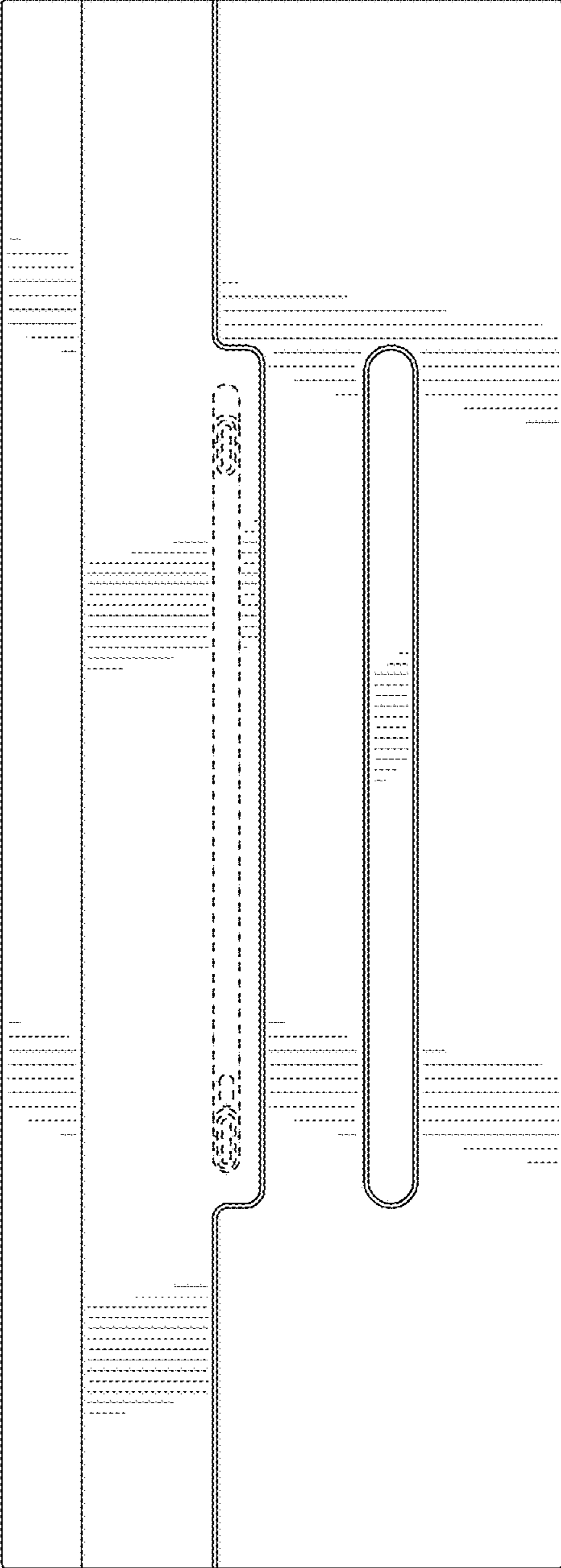


FIG. 6

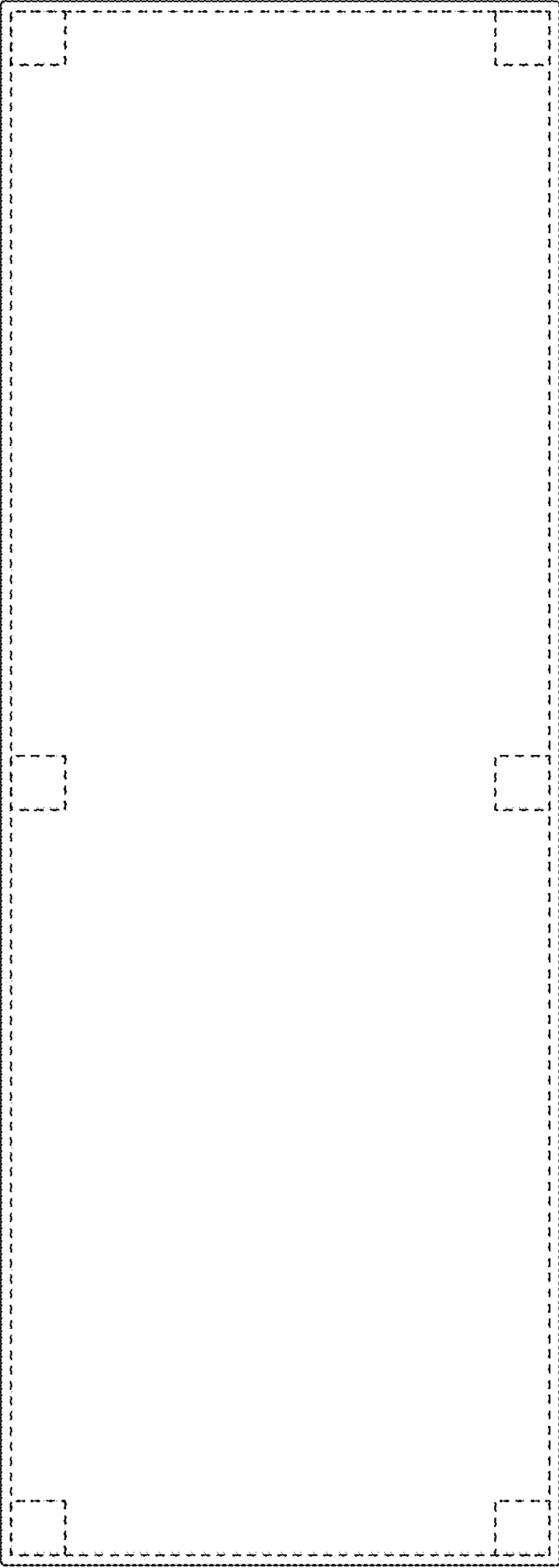


FIG. 7



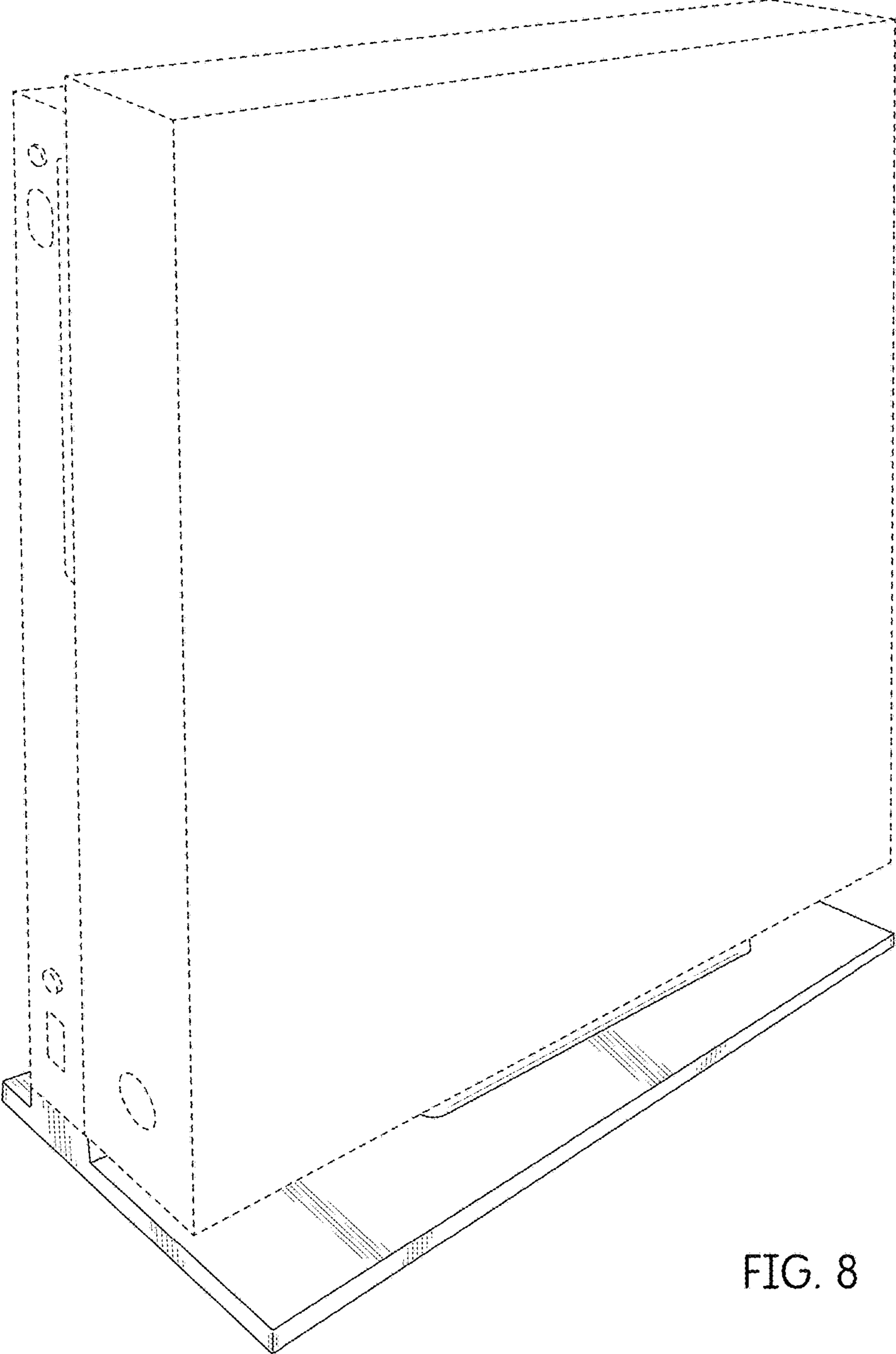


FIG. 8