



US00D845276S

(12) **United States Design Patent**  
**Huang**

(10) **Patent No.:** **US D845,276 S**

(45) **Date of Patent:** **\*\* Apr. 9, 2019**

(54) **SPEAKER**

(71) Applicant: **Hanzhu Huang**, Shantou (CN)

(72) Inventor: **Hanzhu Huang**, Shantou (CN)

(73) Assignee: **SHENZHEN NARUI ELECTRONIC CO., LTD.**, Shenzhen (CN)

(\*\*) Term: **15 Years**

(21) Appl. No.: **29/611,937**

(22) Filed: **Jul. 27, 2017**

(51) **LOC (11) Cl.** ..... **14-01**

(52) **U.S. Cl.**  
USPC ..... **D14/216**

(58) **Field of Classification Search**

USPC ..... D14/167, 168, 170–172, 188, 194–196,  
D14/204, 207, 209.1, 210–216, 219, 221,  
D14/222, 496; 181/198, 199; 381/300,  
381/303, 332, 334, 336, 345  
CPC ..... H04R 1/02; H04R 1/021; H04R 1/025;  
H04R 1/026; H04R 1/028; H04R 1/34;  
H04R 1/40; H04R 1/323; H04R 1/403;  
H04R 1/345; H04R 1/2803; H04R  
1/2834; H04R 5/02; H04R 9/06; H04R  
2201/021; H04R 2400/00; H04R 2400/01;  
H04R 2400/03; B60R 11/0217; G06F  
1/1688; G10K 9/22; H03F 1/327; H04N  
5/642

See application file for complete search history.

(56) **References Cited**

**U.S. PATENT DOCUMENTS**

6,666,296 B1 \* 12/2003 Mathis ..... H04R 5/02  
181/199  
D725,076 S \* 3/2015 Wong ..... D14/216

D754,630 S \* 4/2016 Paterson ..... D14/204  
D755,155 S \* 5/2016 Paterson ..... D14/204  
D780,728 S \* 3/2017 Shin ..... D14/242  
D796,725 S \* 9/2017 Recker ..... D26/104  
D797,073 S \* 9/2017 Yoon ..... D14/172  
D803,190 S \* 11/2017 Lee ..... D14/216  
D803,810 S \* 11/2017 Lee ..... D14/216  
D810,135 S \* 2/2018 Langhammer ..... D14/496  
D810,136 S \* 2/2018 Langhammer ..... D14/496  
D813,210 S \* 3/2018 Benedetti ..... D14/230

**FOREIGN PATENT DOCUMENTS**

WO WO-2016191256 A1 \* 12/2016 ..... H04R 1/028

\* cited by examiner

*Primary Examiner* — R. Johnson

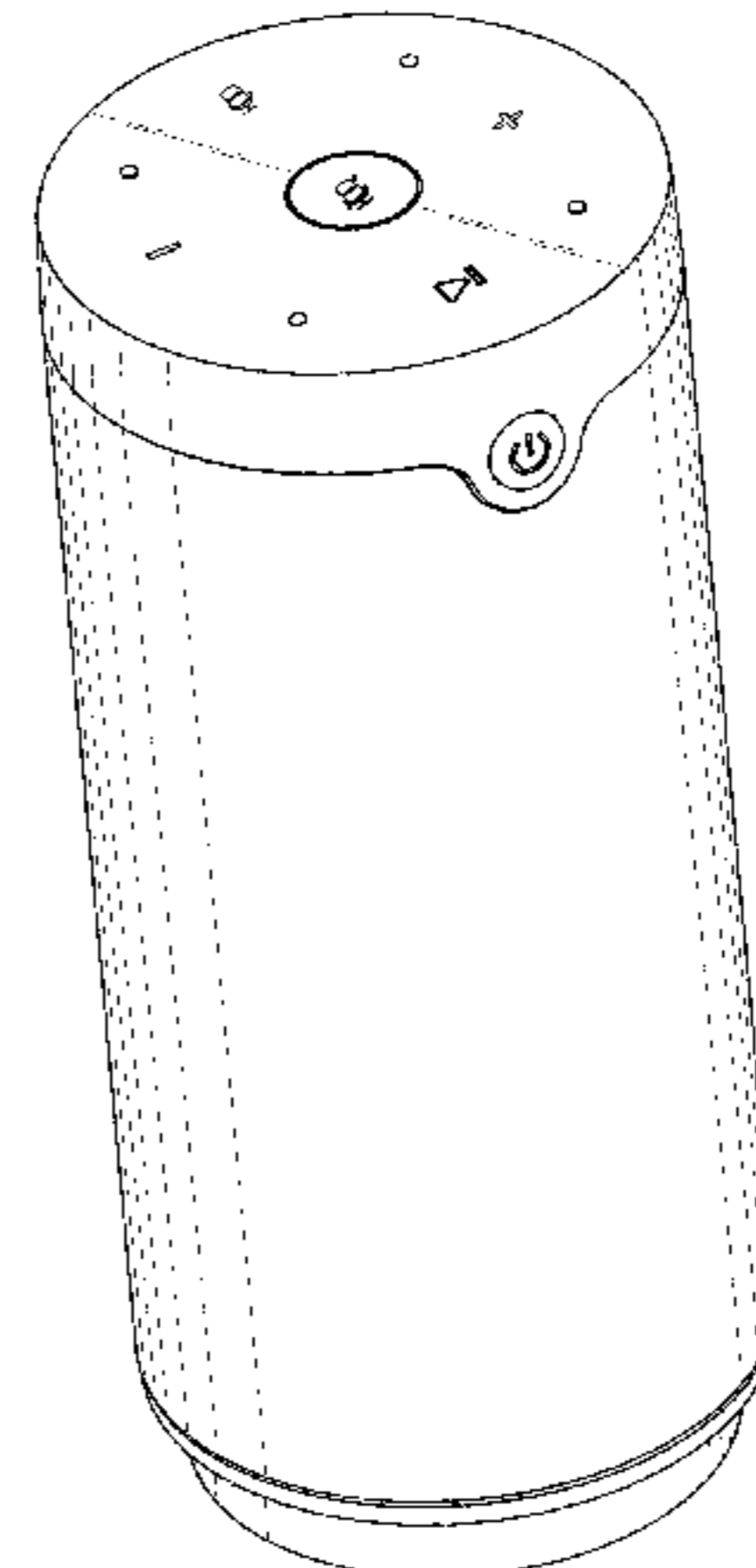
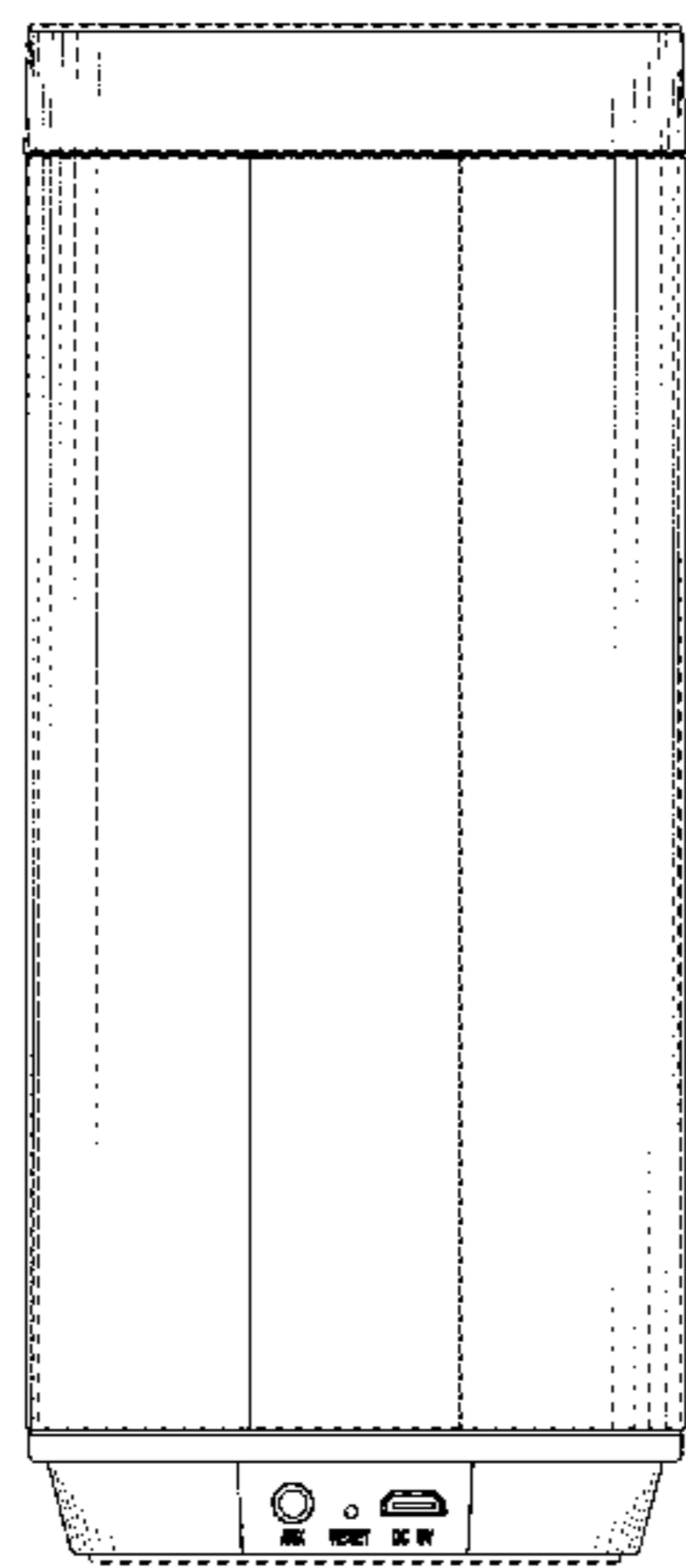
(57) **CLAIM**

The ornamental design for a speaker, as shown and described.

**DESCRIPTION**

FIG. 1 is a front elevational view of a speaker showing my new design;  
FIG. 2 is a rear elevational view thereof;  
FIG. 3 is a left side elevational view thereof;  
FIG. 4 is a right side elevational view thereof;  
FIG. 5 is a top plan view thereof;  
FIG. 6 is a bottom plan view thereof; and,  
FIG. 7 is a perspective view thereof.  
The broken lines represent the portions of the design that form no part of the claim.

**1 Claim, 7 Drawing Sheets**



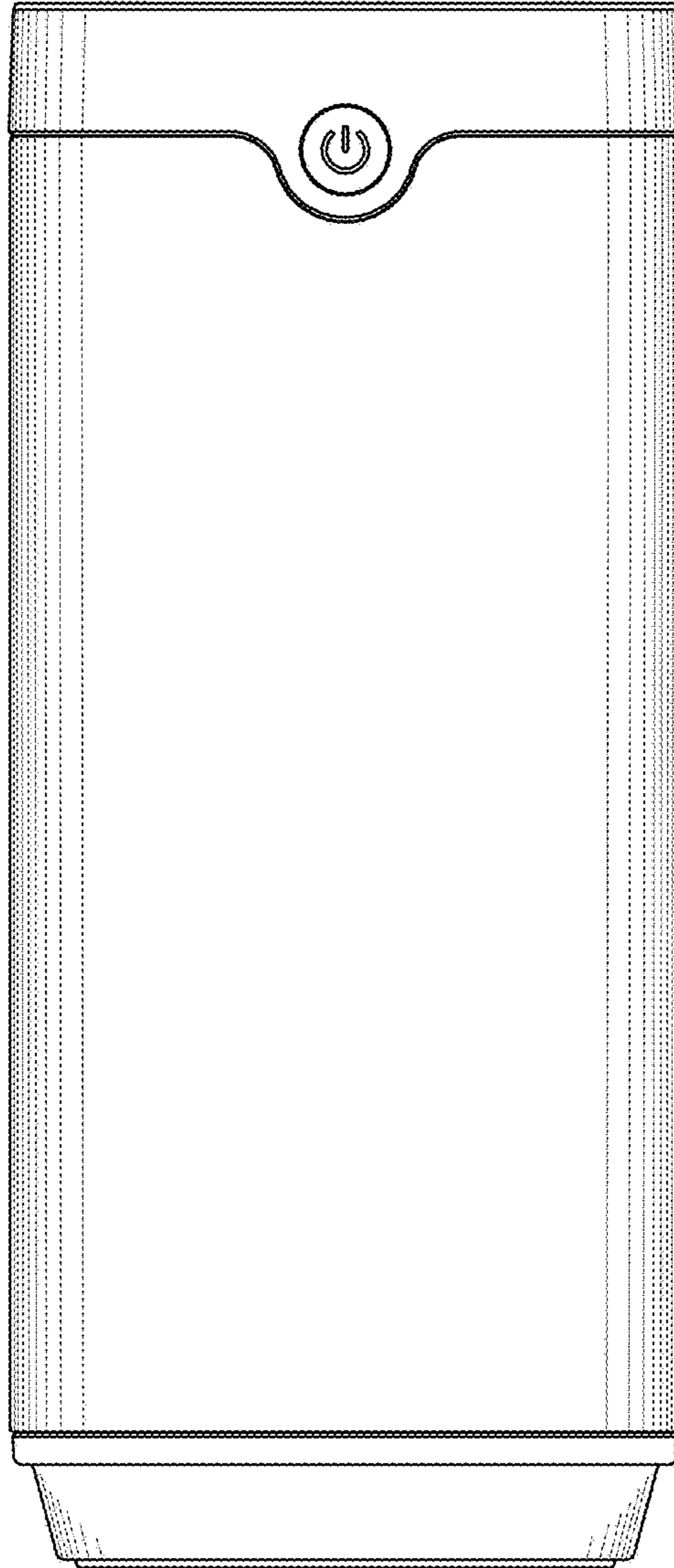


FIG.1

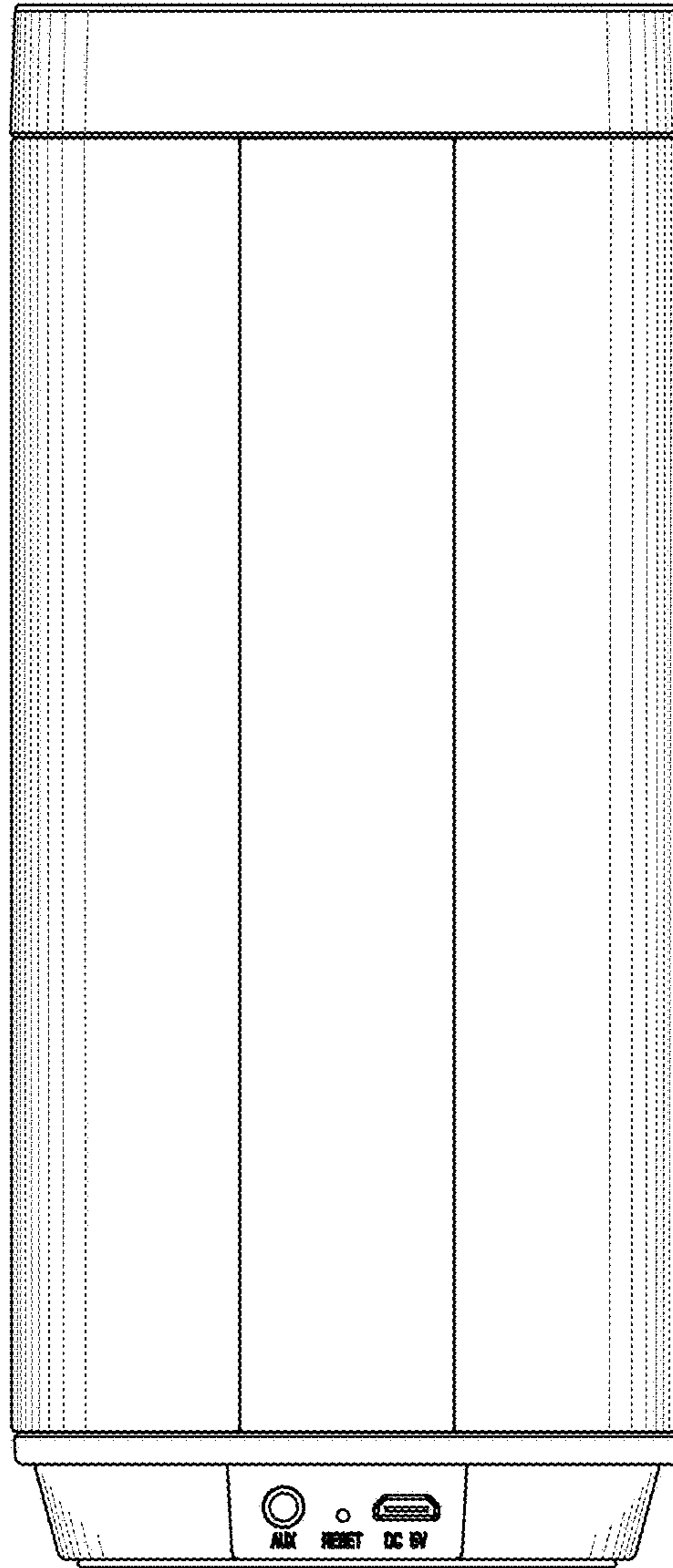


FIG.2

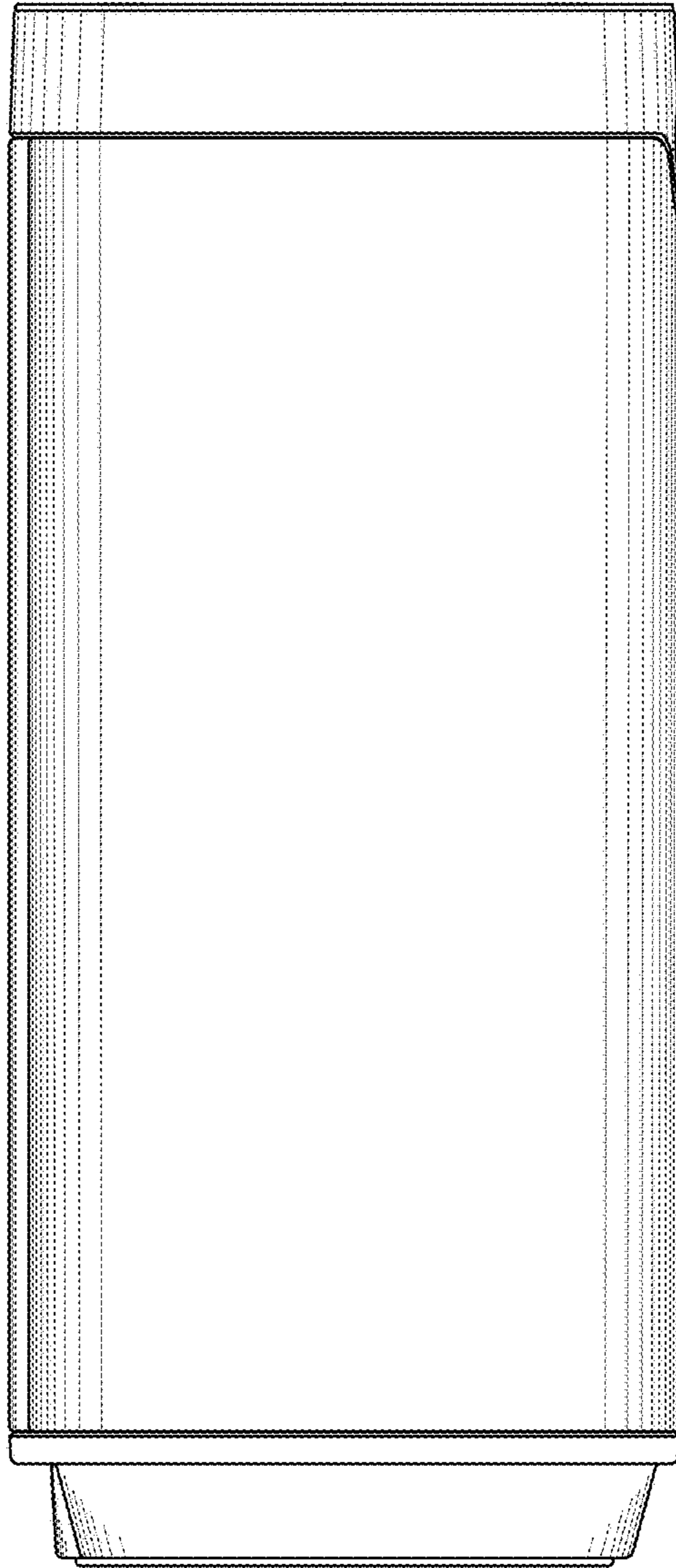


FIG.3

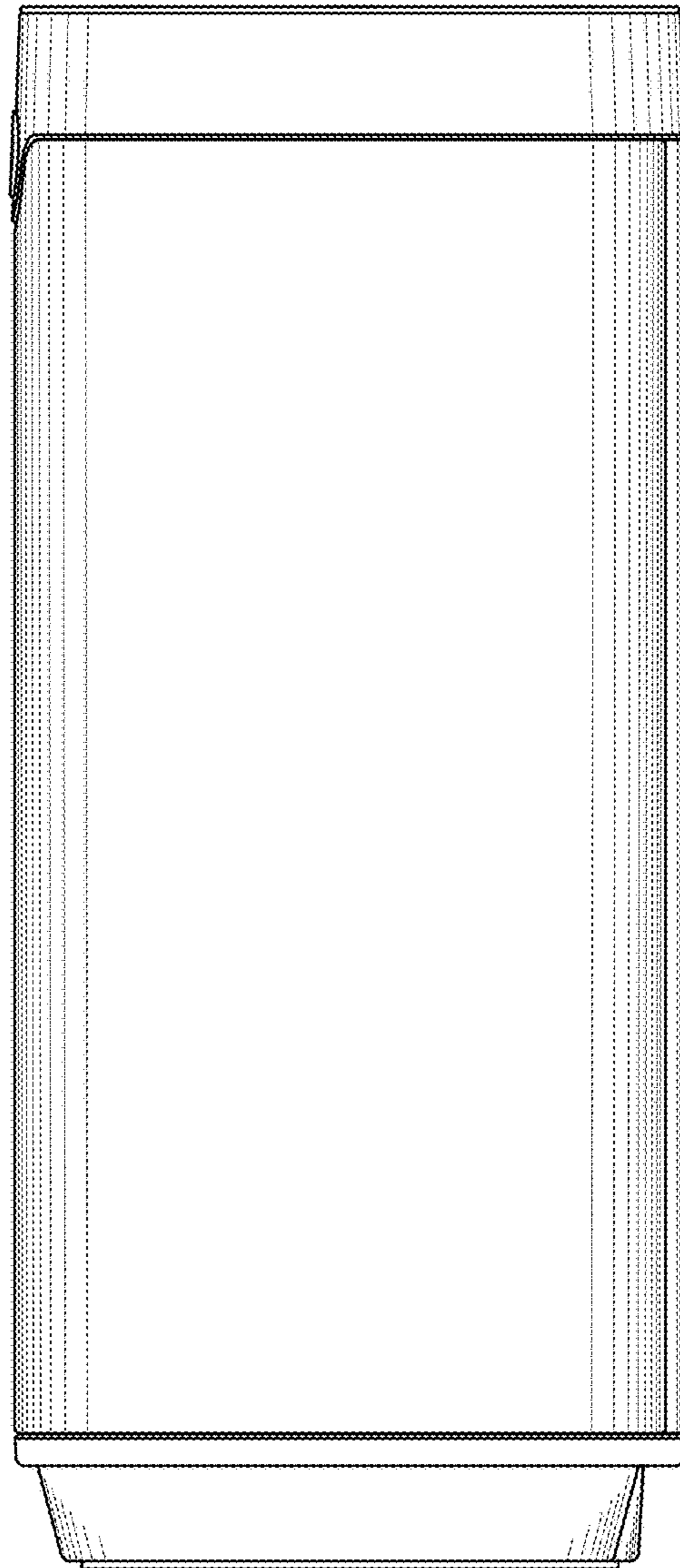


FIG. 4

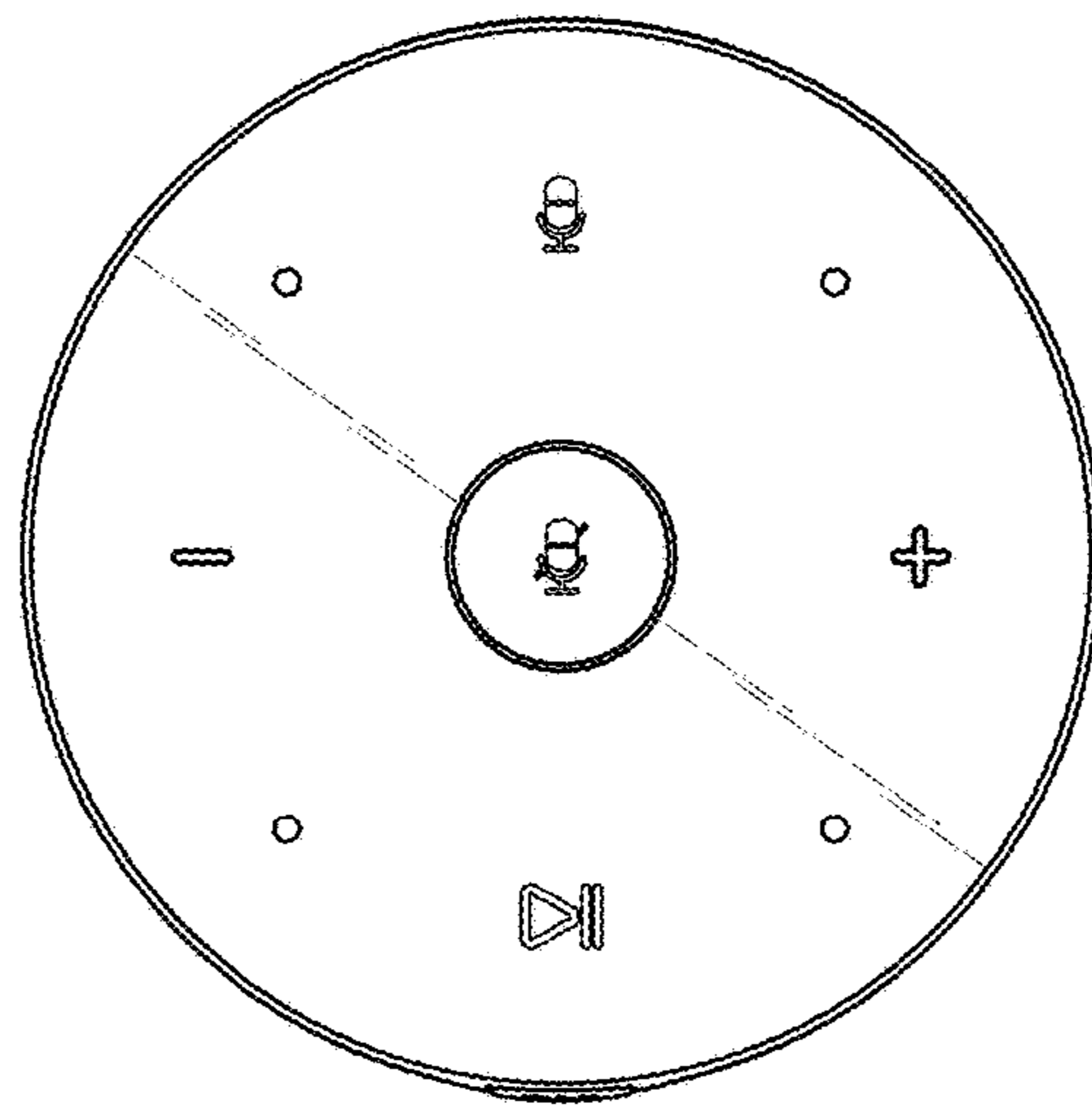


FIG.5



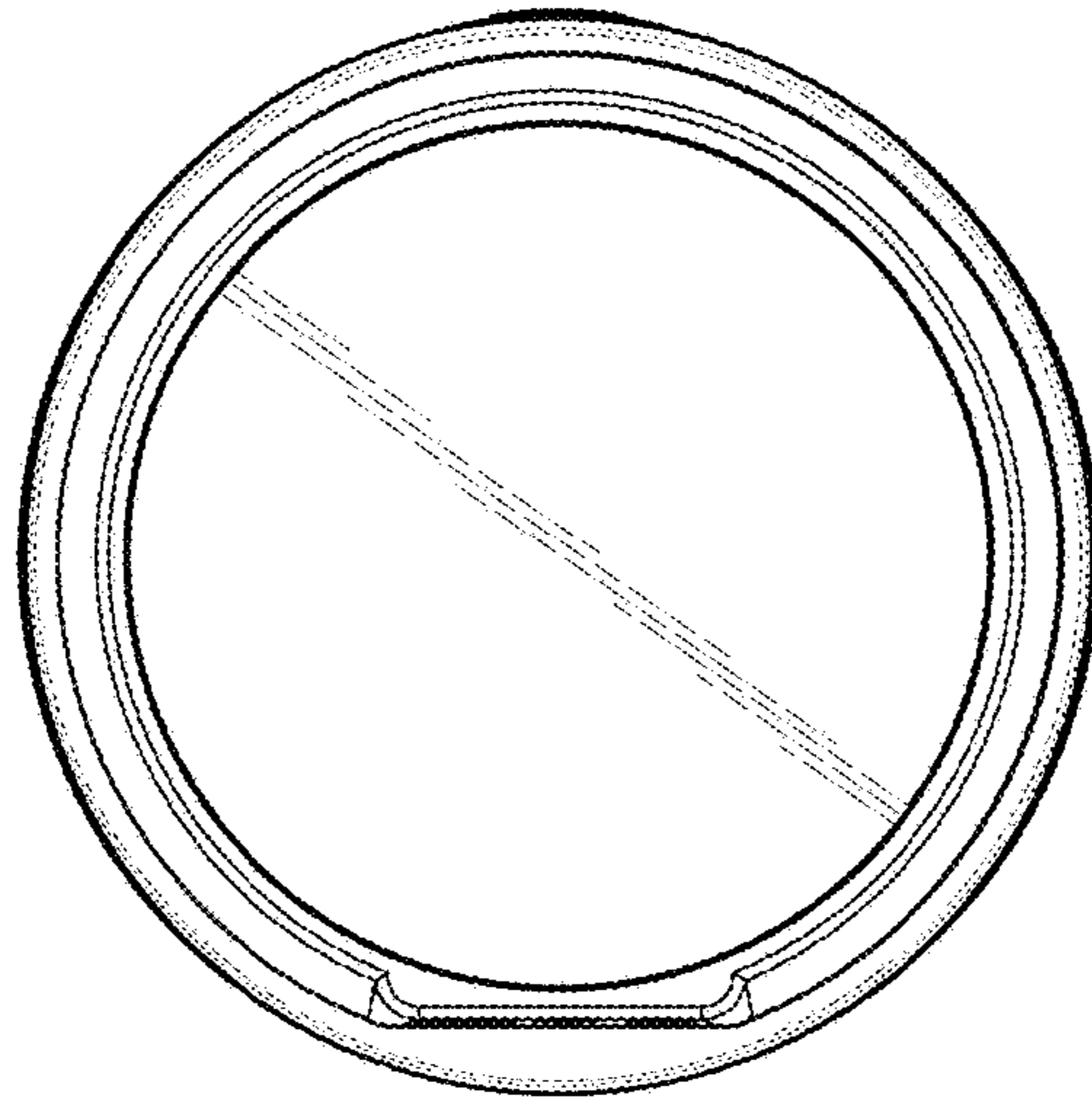


FIG.6

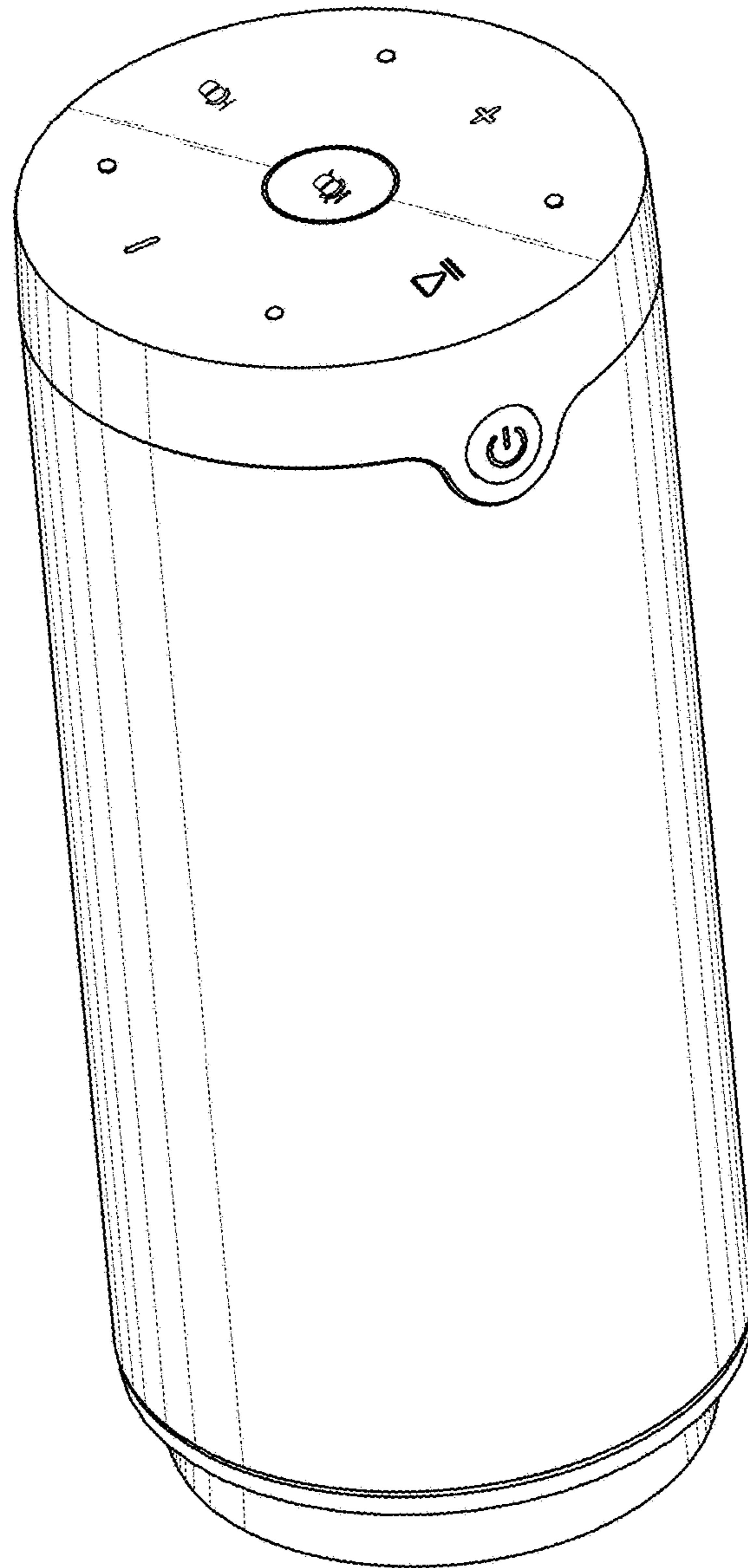


FIG.7