



US00D845275S

(12) **United States Design Patent**
Adachi et al.

(10) **Patent No.:** **US D845,275 S**

(45) **Date of Patent:** **** Apr. 9, 2019**

(54) **AUDIO INPUT AND OUTPUT DEVICE FOR AUTO TRANSLATION MACHINE**

(71) Applicant: **Panasonic Intellectual Property Management Co., Ltd., Osaka (JP)**

(72) Inventors: **Yusuke Adachi, Osaka (JP); Takayuki Hayashi, Kyoto (JP); Takanori Kawasaki, Tokyo (JP); Eiichi Shibata, Tokyo (JP); Shinobu Fusa, Osaka (JP)**

(73) Assignee: **Panasonic Intellectual Property Management Co., Ltd., Osaka (JP)**

(**) Term: **15 Years**

(21) Appl. No.: **29/592,264**

(22) Filed: **Jan. 27, 2017**

(30) **Foreign Application Priority Data**

Dec. 2, 2016 (JP) 2016-026183
Dec. 2, 2016 (JP) 2016-026184

(51) **LOC (11) Cl.** **14-01**

(52) **U.S. Cl.**
USPC **D14/216**

(58) **Field of Classification Search**

USPC D14/167, 168, 170–172, 188, 192, D14/194–196, 204, 205, 207, 209.1, D14/210–216, 219, 221–223, 496; 181/198, 199; 381/300, 303, 332, 334, 381/336, 345
CPC H04R 1/02; H04R 1/021; H04R 1/025; H04R 1/026; H04R 1/028; H04R 1/34; H04R 1/40; H04R 1/323; H04R 1/403; H04R 1/345; H04R 1/2803; H04R 1/2834; H04R 5/02; H04R 9/06; H04R 2201/021; H04R 2400/00; H04R 2400/07; H04R 2400/03; H04R 5/033; H04R 5/0335; B60R 11/0217; G06F 1/1688; G10K 9/22; G10K 11/004; H03F 1/327; H04N 5/642

See application file for complete search history.

(56) **References Cited**

U.S. PATENT DOCUMENTS

D752,014 S * 3/2016 Bolmstrand D14/204
D768,113 S * 10/2016 Lee D14/216

(Continued)

Primary Examiner — R. Johnson

(74) *Attorney, Agent, or Firm* — Panasonic IP Management; Kerry S. Culpepper

(57) **CLAIM**

We claim the ornamental design for an audio input and output device for auto translation machine, as shown and described.

DESCRIPTION

FIG. 1 is a front perspective view of an audio input and output device for auto translation machine of the present invention;

FIG. 2 is a front view thereof;

FIG. 3 is a rear view thereof;

FIG. 4 is a first side view thereof;

FIG. 5 is a second side view thereof;

FIG. 6 is a top view thereof;

FIG. 7 is a bottom view thereof;

FIG. 8 is a front perspective view of an audio input and output device for auto translation machine of the present invention;

FIG. 9 is a front view thereof;

FIG. 10 is a rear view thereof;

FIG. 11 is a first side view thereof;

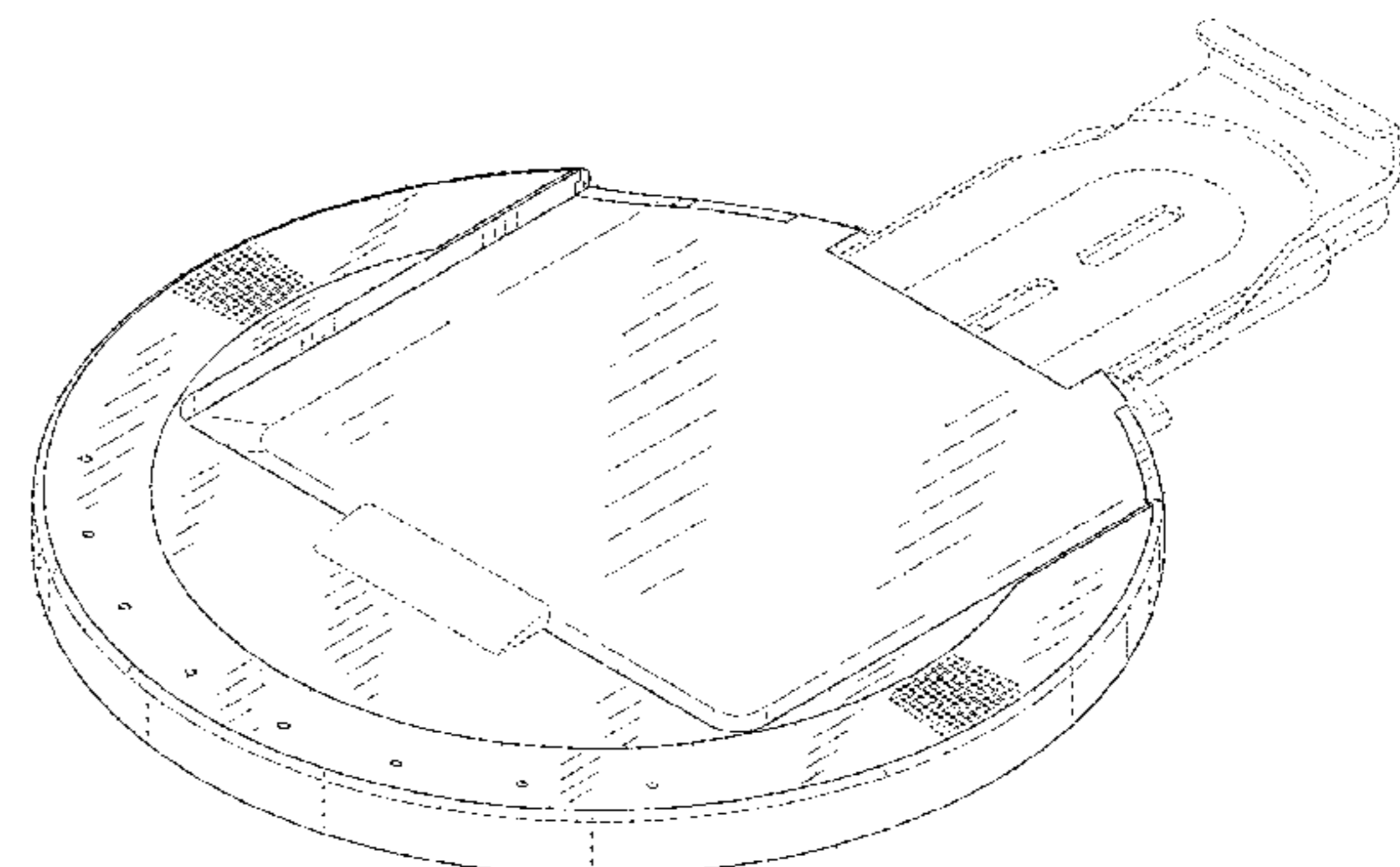
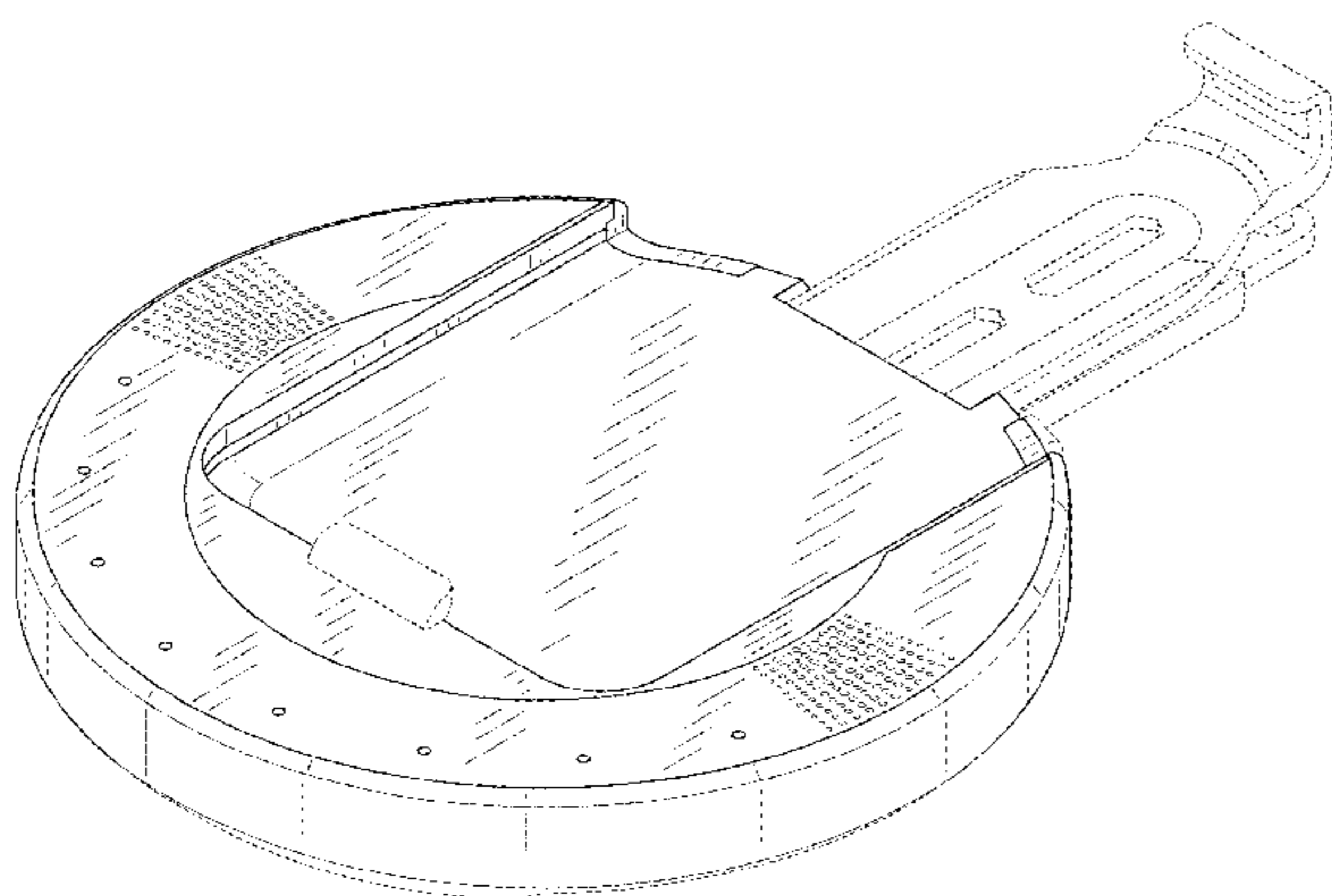
FIG. 12 is a second side view thereof;

FIG. 13 is a top view thereof; and,

FIG. 14 is a bottom view thereof.

The broken line showing of audio input and output device for auto translation machine is included for the purpose of illustrating environment and forms no part of the claimed design.

1 Claim, 14 Drawing Sheets



(56)

References Cited

U.S. PATENT DOCUMENTS

D817,333 S *	5/2018	Boshernitzan	D14/434
D817,919 S *	5/2018	Fairless	D14/204
D828,333 S *	9/2018	Hu	D14/216
D835,070 S *	12/2018	DePasquale	D14/216

* cited by examiner

FIG. 1

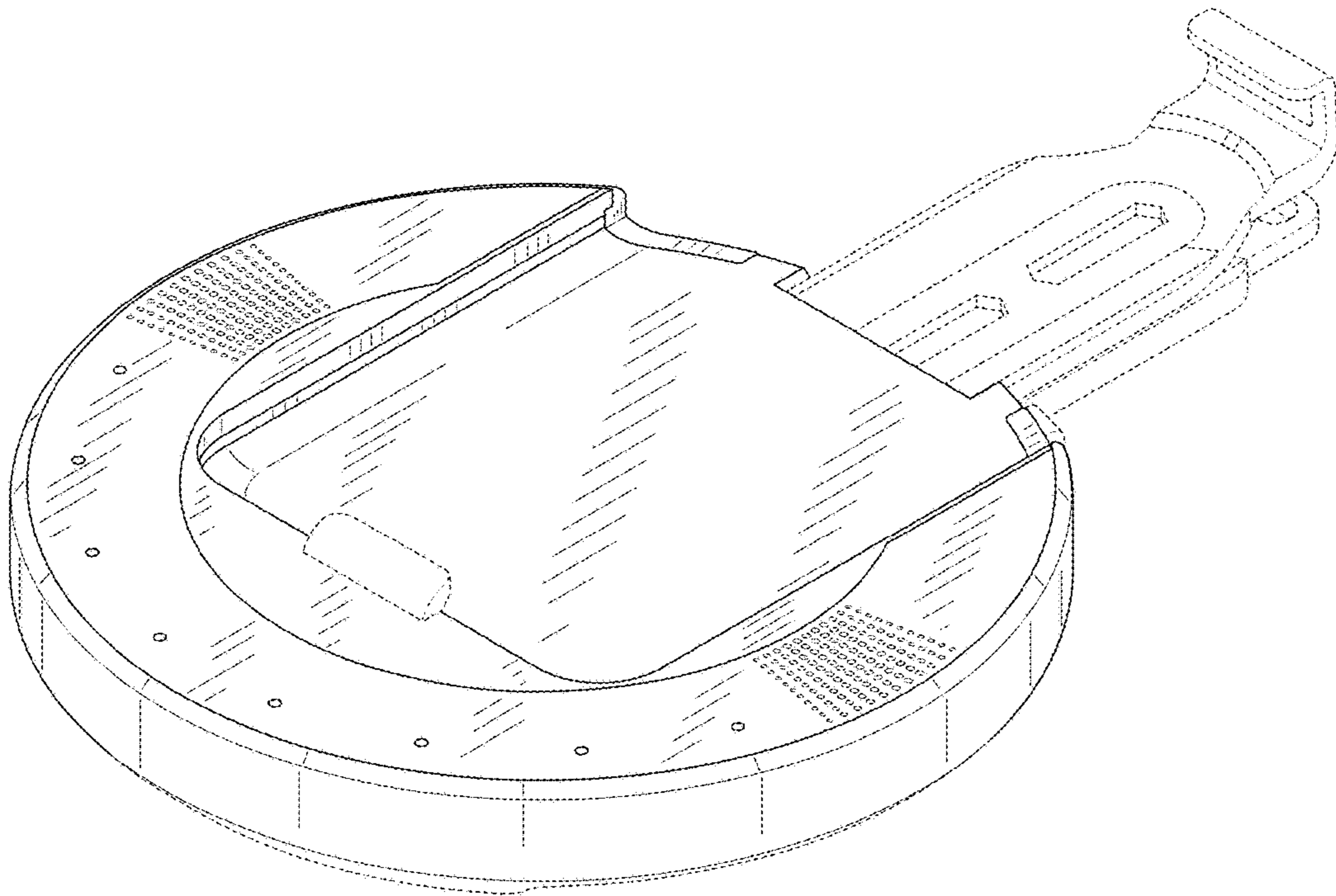


FIG. 2

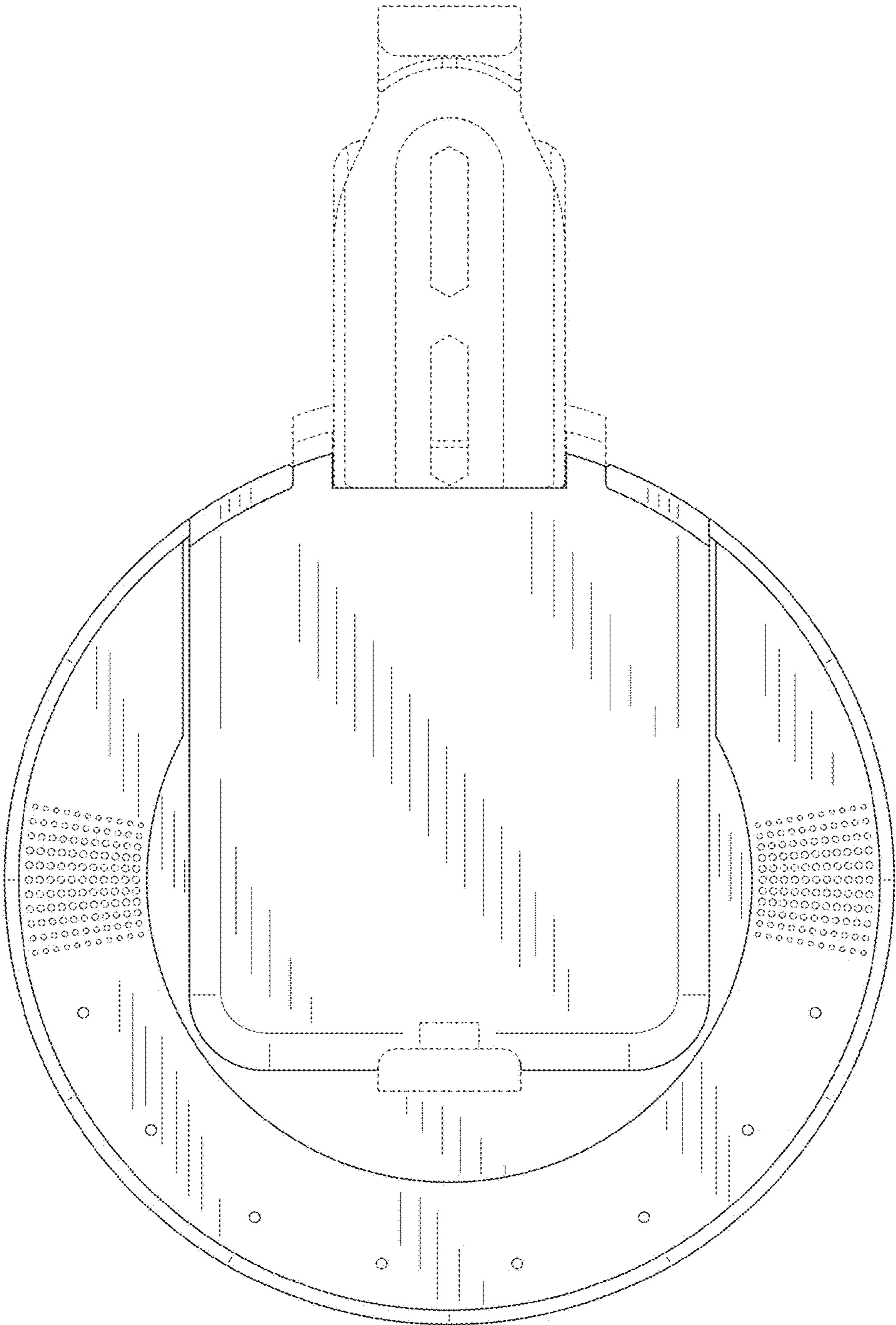


FIG. 3

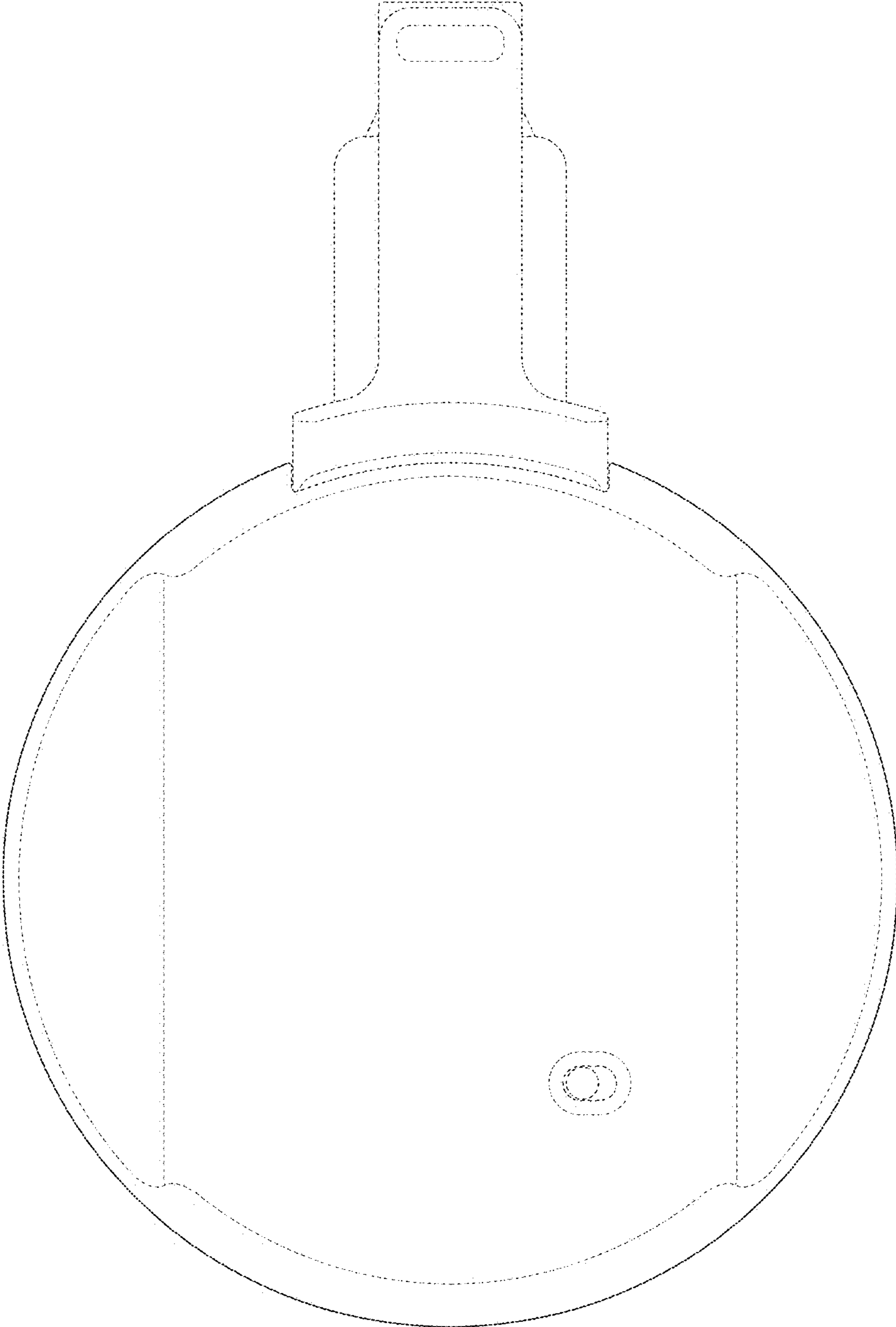


FIG. 4

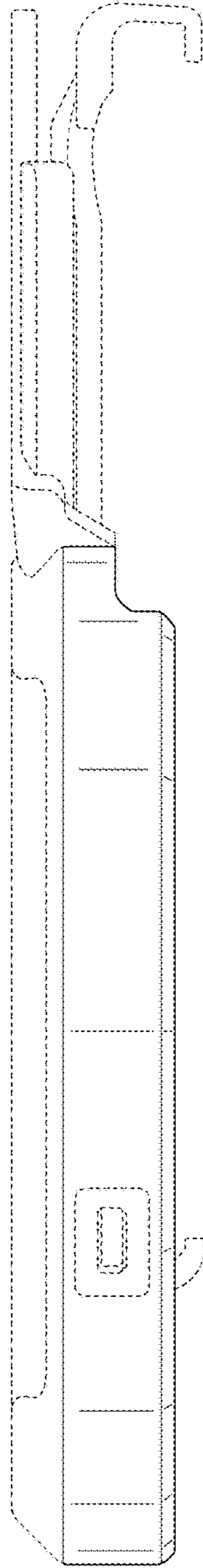


FIG. 5

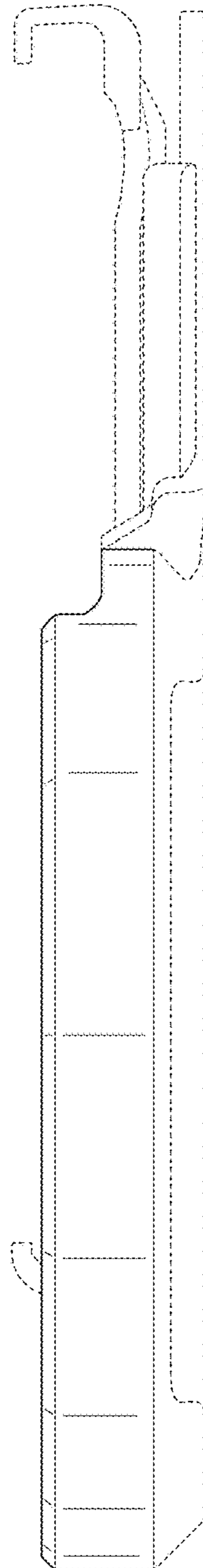


FIG. 6

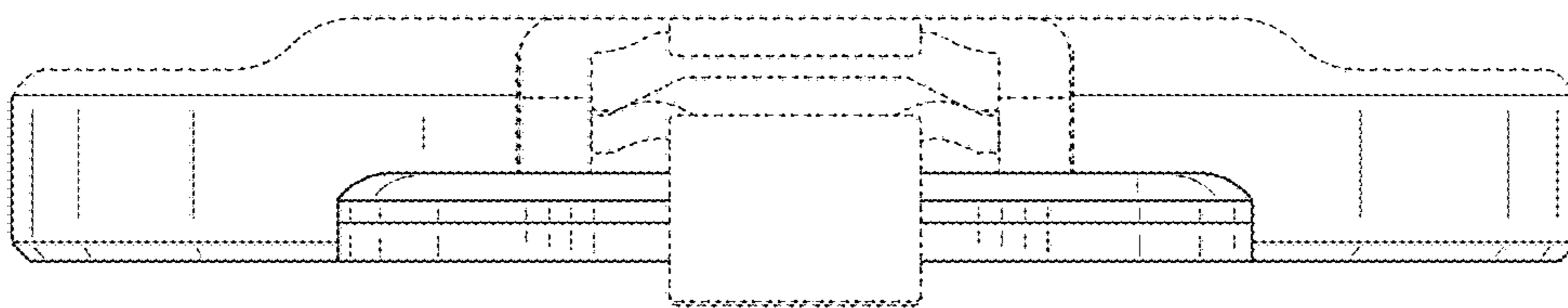


FIG. 7

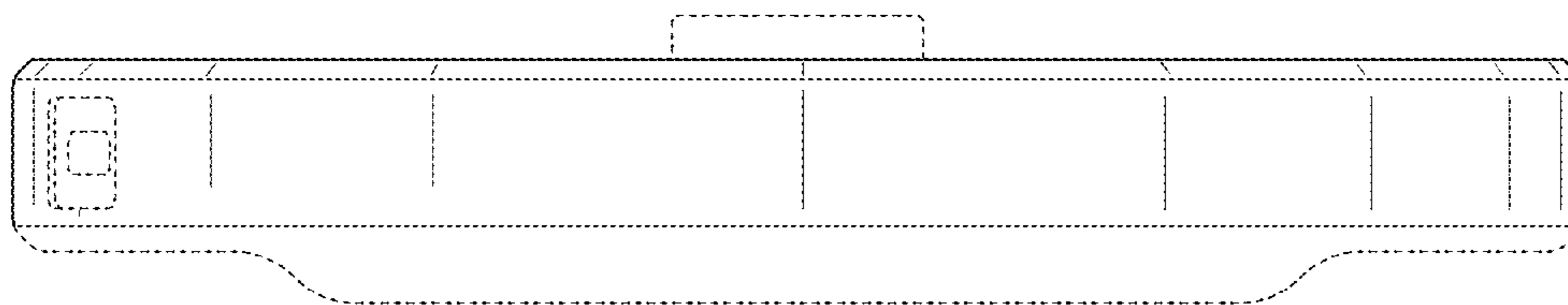


FIG. 8

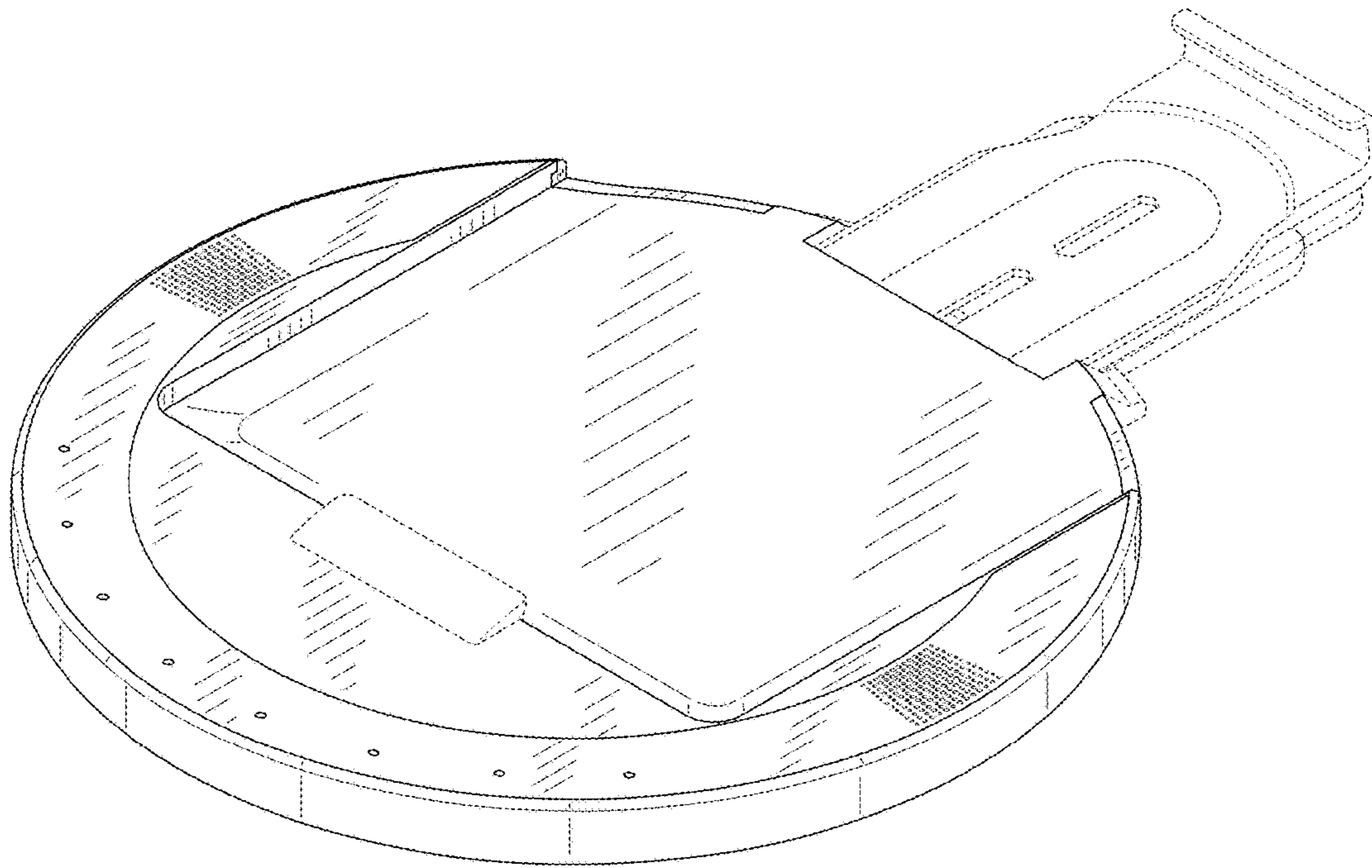


FIG. 9

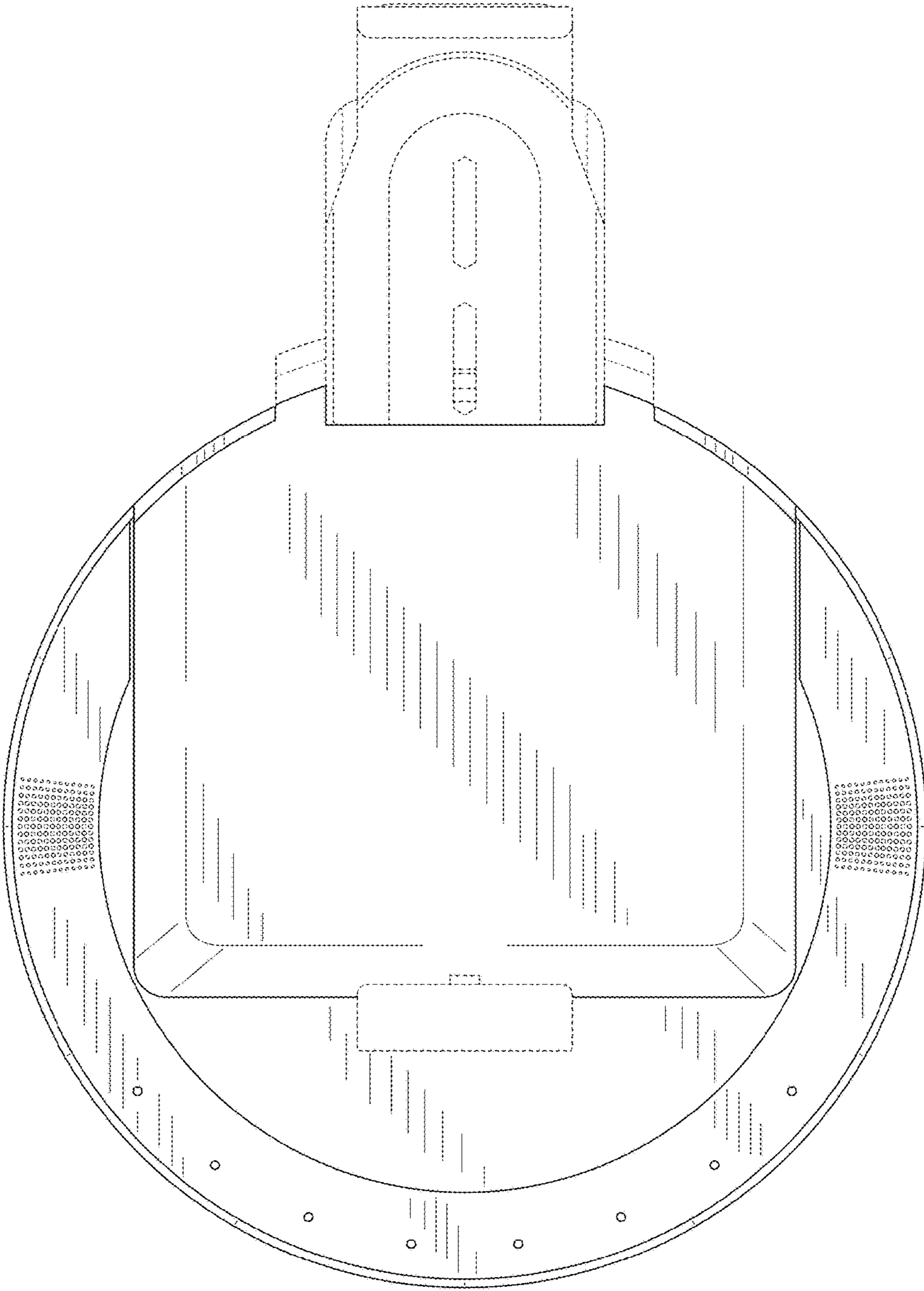


FIG. 10

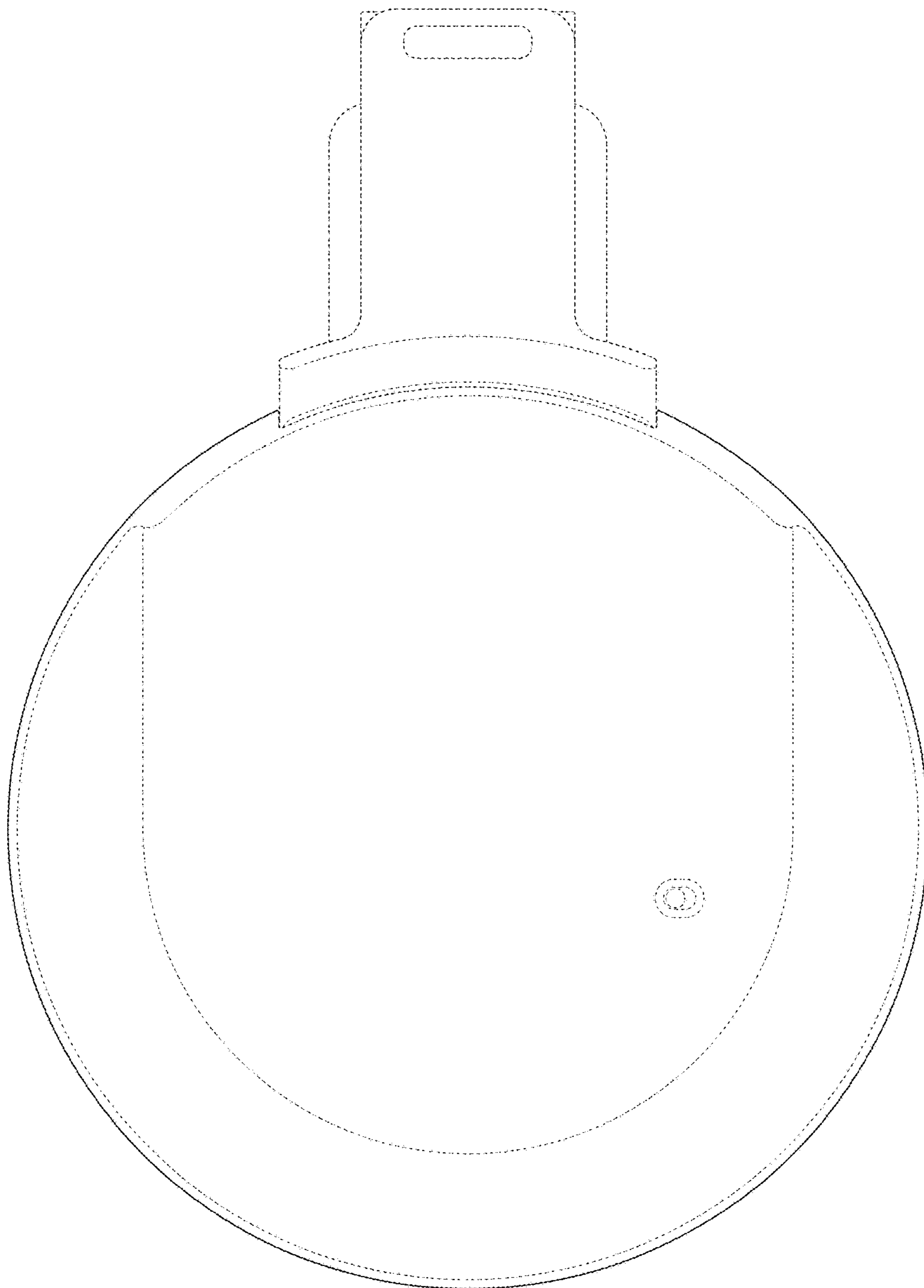


FIG. 11

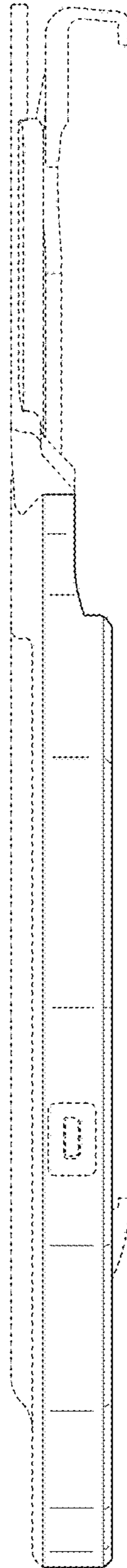


FIG. 12

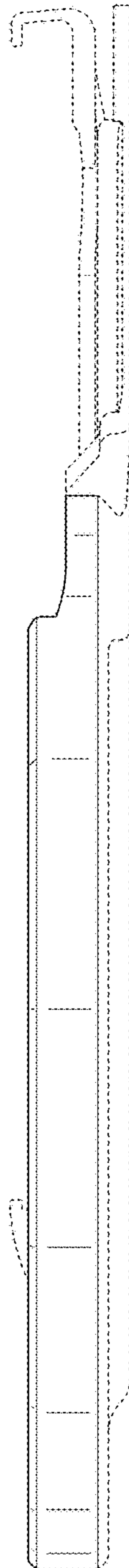


FIG. 13

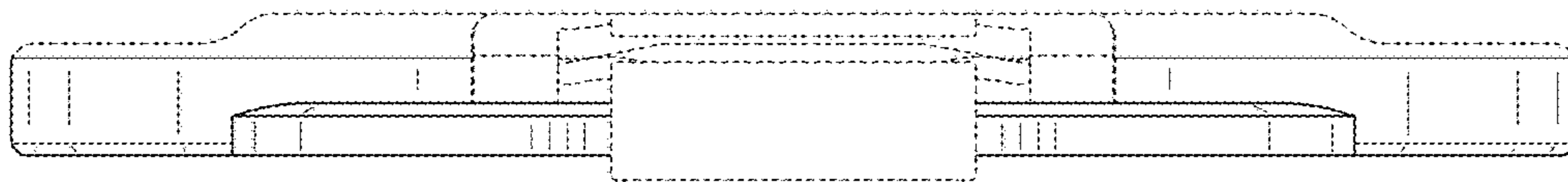


FIG. 14

