



US00D845271S

(12) **United States Design Patent**
Lu et al.

(10) **Patent No.:** **US D845,271 S**
(45) **Date of Patent:** **** Apr. 9, 2019**

- (54) **INTEGRATED ANNULAR HEADPHONE**
- (71) Applicants: **DEXIN ELECTRONIC LTD.**,
Dongguan Guangdong (CN); **DEXIN CORPORATION**, New Taipei (TW)
- (72) Inventors: **Ho-Lung Lu**, New Taipei (TW);
Kuan-Ling Chen, New Taipei (TW)
- (73) Assignees: **DEXIN ELECTRONIC LTD.**,
Dongguan, Guangdong (CN); **DEXIN CORPORATION**, New Taipei (TW)
- (**) Term: **15 Years**
- (21) Appl. No.: **29/623,715**
- (22) Filed: **Oct. 26, 2017**
- (51) **LOC (11) Cl.** **14-01**
- (52) **U.S. Cl.**
USPC **D14/205**; D14/206
- (58) **Field of Classification Search**
USPC D14/205, 206, 372; D24/186; D29/112;
2/209.13; 181/129, 130, 135; 379/430,
379/431; 381/380, 381, 370, 74;
455/90.3, 569.1, 575.1
CPC H04R 1/1066; H04R 1/1016; H04R 5/033;
H04R 5/0335; H04R 1/1041; H04R
1/105; H04R 1/10; H04R 5/02; A42B
1/24
See application file for complete search history.

(56) **References Cited**
U.S. PATENT DOCUMENTS

2,474,386	A *	6/1949	Volkman	A42B 3/166 379/430
2,504,826	A *	4/1950	Goldman	A61F 11/06 2/209
2,609,544	A *	9/1952	Berg	A61F 11/06 2/209

2,672,864	A *	3/1954	Makara	A61F 11/14 128/866
2,693,599	A *	11/1954	Berg	A61F 11/06 2/209
3,098,307	A *	7/1963	Caldwell, Jr.	G09B 5/04 181/20
3,134,861	A *	5/1964	Dempsey	H04R 1/105 381/151
4,110,583	A *	8/1978	Lepper	H04M 1/05 381/370
4,173,715	A *	11/1979	Gosman	H04R 1/1058 181/129
4,529,058	A *	7/1985	Emery	H04R 1/105 181/129
D284,080	S *	6/1986	Swezey	D14/192
4,682,363	A *	7/1987	Goldfarb	H04B 1/44 381/189
4,727,599	A *	2/1988	Rappaport	A42B 1/245 2/DIG. 11
4,802,245	A *	2/1989	Miano	A61F 11/06 2/209

(Continued)

Primary Examiner — Paula Allen Greene
(74) *Attorney, Agent, or Firm* — Li & Cai Intellectual Property (USA) Office

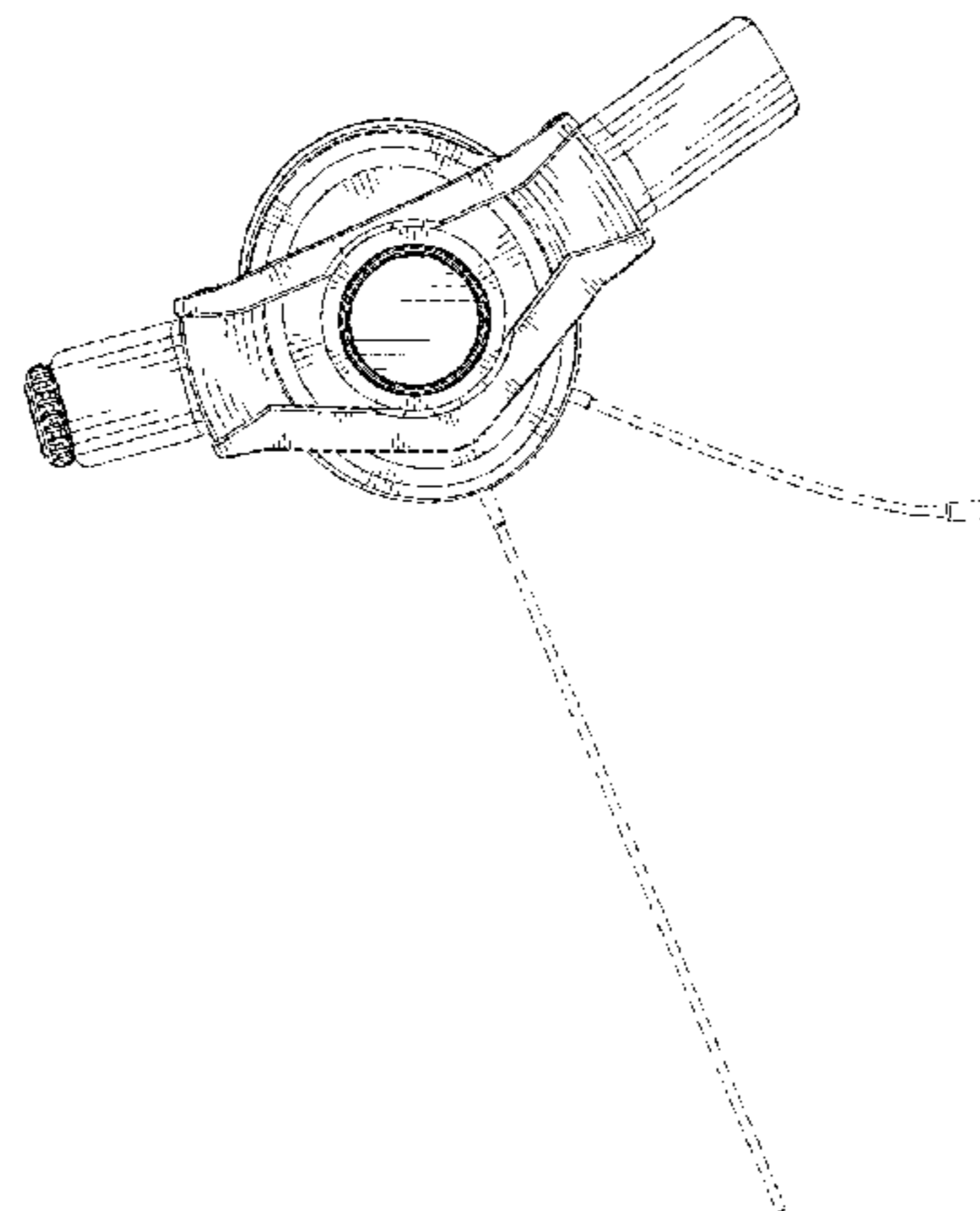
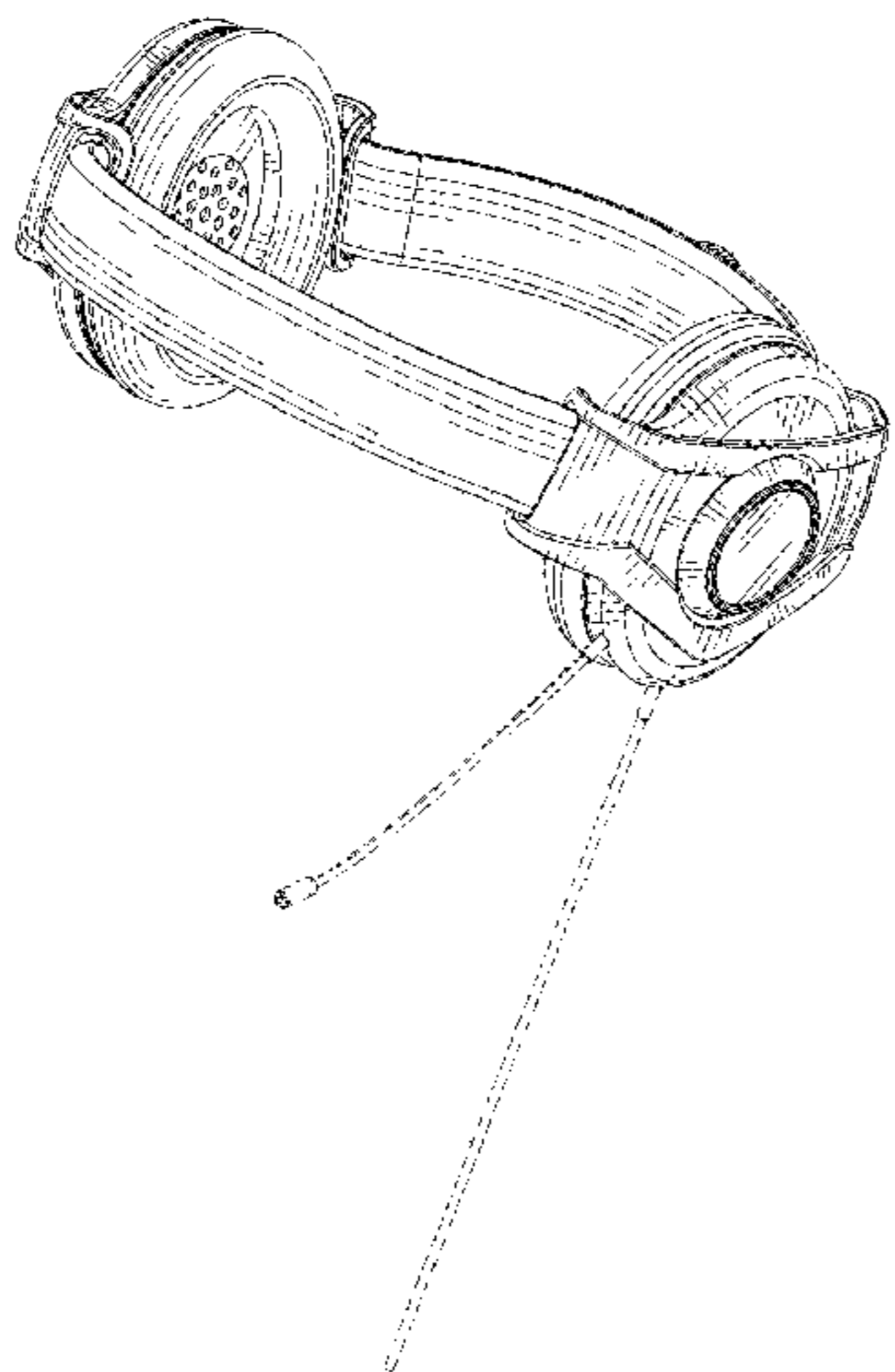
(57) **CLAIM**

The ornamental design for an “integrated annular head-
phone,” as shown and described.

DESCRIPTION

FIG. 1 is a perspective view of an integrated annular
headphone showing our new design;
FIG. 2 is a front elevational view thereof;
FIG. 3 is a rear elevational view thereof;
FIG. 4 is a left elevational side view thereof;
FIG. 5 is a right elevational side view thereof;
FIG. 6 is a top plan view thereof; and,
FIG. 7 is a bottom plan view thereof.
The broken lines shown represent unclaimed subject matter
and form no part of the claimed design.

1 Claim, 7 Drawing Sheets



(56)

References Cited

U.S. PATENT DOCUMENTS

4,918,757 A *	4/1990	Janssen	H04R 25/02	2/171				
D315,812 S *	3/1991	Cionni	D16/339					
5,038,412 A *	8/1991	Cionni	A41D 20/00	2/171				
5,303,426 A *	4/1994	Jones	A41D 20/00	2/181				
5,438,698 A *	8/1995	Burton	H01Q 1/276	2/209.13				
5,625,903 A *	5/1997	Schultz	A61F 9/029	2/209				
5,881,390 A *	3/1999	Young	A41D 20/00	2/209.13				
D446,609 S *	8/2001	Hill	A61F 11/06	D29/112				
D478,692 S *	8/2003	Gessner	D29/112					
6,678,897 B2 *	1/2004	Lindgren	A61F 11/14	181/129				
D504,883 S *	5/2005	Jacobson	D14/192					
D512,981 S *	12/2005	Jacobson	D14/205					
D547,500 S *	7/2007	Karrman	A61F 11/14	D29/112				
7,394,912 B2 *	7/2008	Whipple	H04R 5/023	381/376				
D657,345 S *	4/2012	Brunner	H04R 1/1008	D14/205				
D716,458 S *	10/2014	Snyder	D24/186					
D722,041 S *	2/2015	Sparks	D14/206					
9,143,854 B2 *	9/2015	Alao	H04R 1/105					
D745,863 S *	12/2015	Hardi	D14/223					
D753,516 S *	4/2016	Le Gall	D10/47					
D756,971 S *	5/2016	Park	D14/223					
D812,039 S *	3/2018	Narasaki	D14/205					
D826,896 S *	8/2018	Huang	D14/205					
2006/0185062 A1 *	8/2006	Peng	H04R 5/0335	2/209.13				
2013/0089229 A1 *	4/2013	Kristo	H04R 25/606	381/326				

* cited by examiner

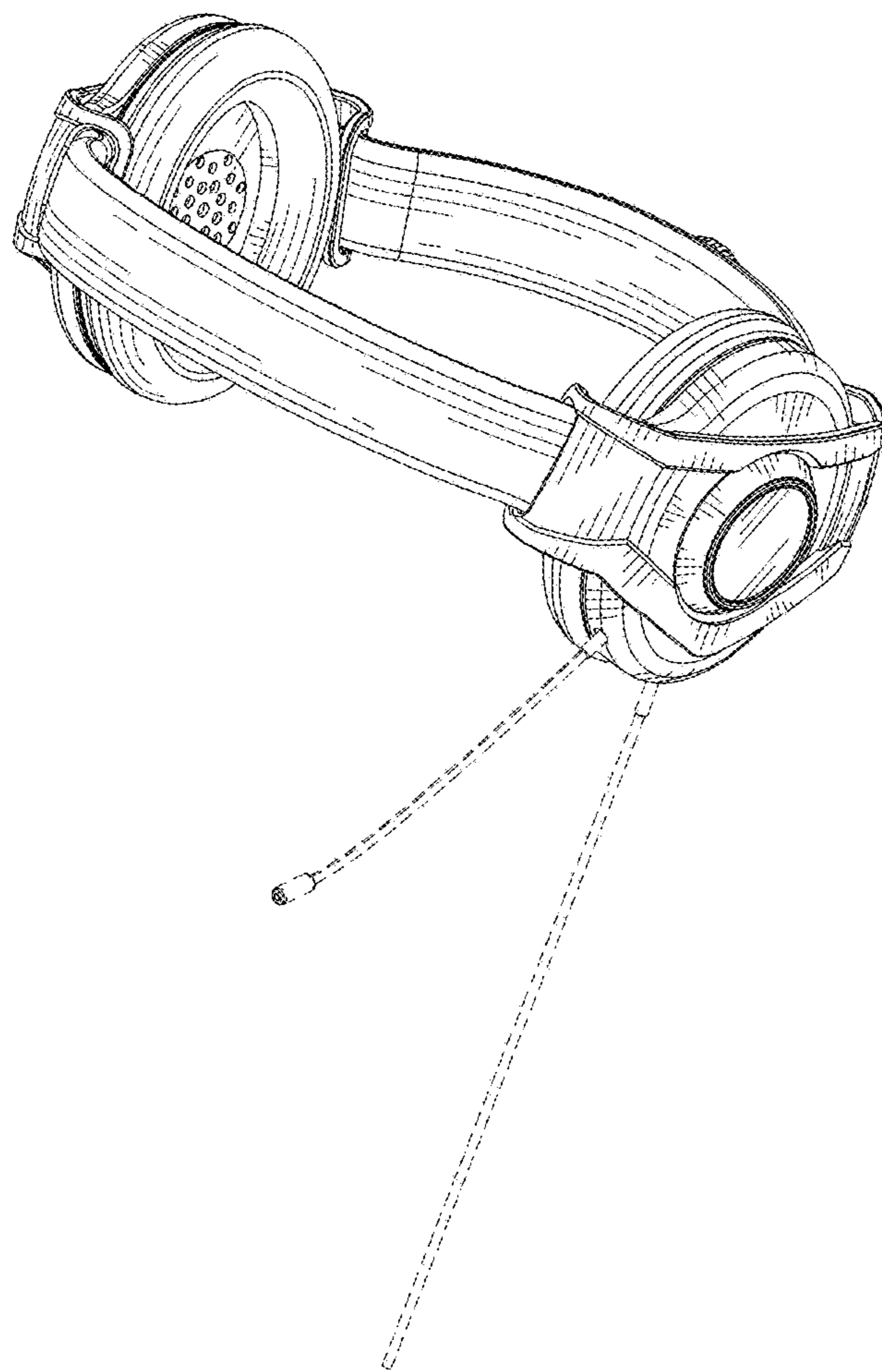


FIG. 1

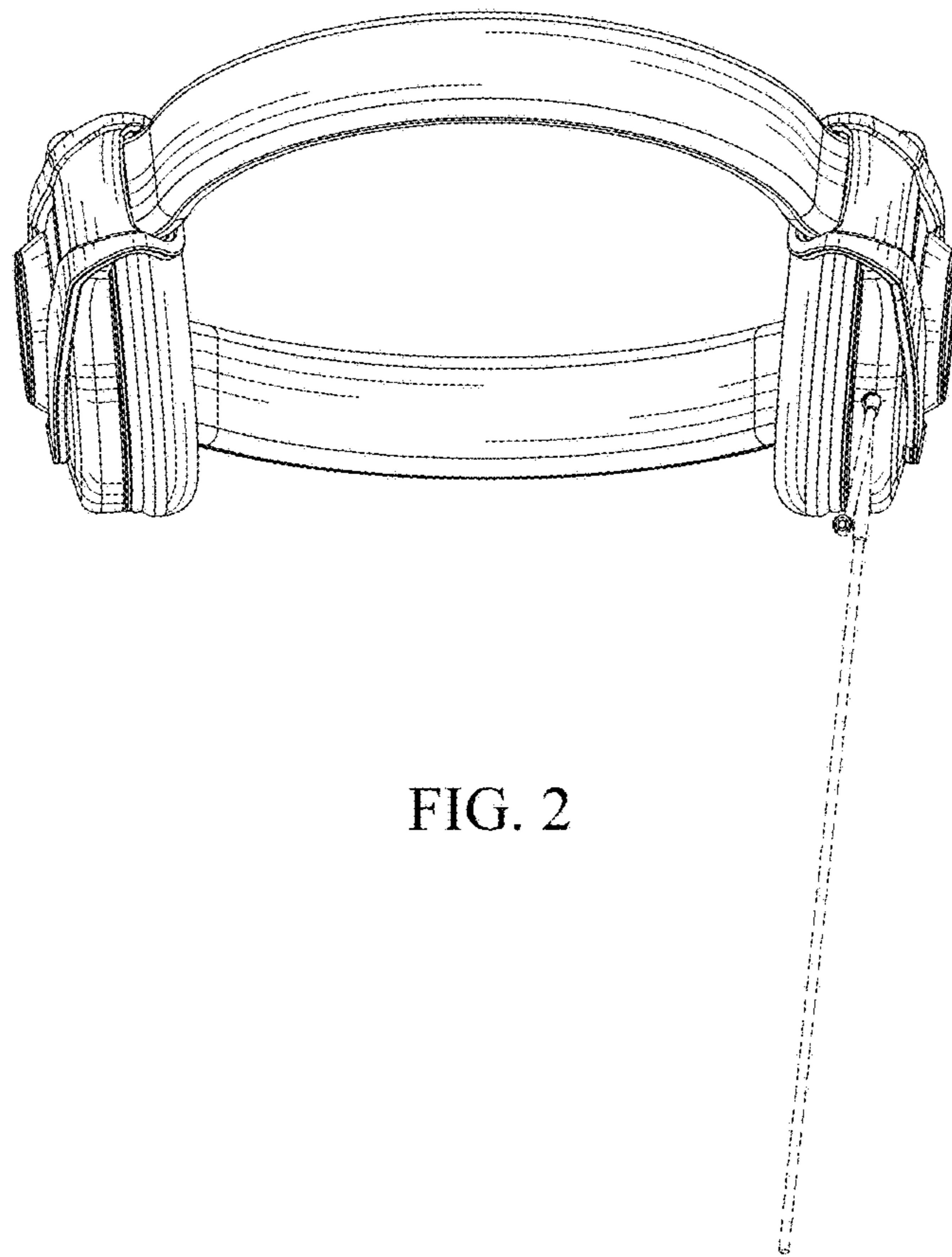


FIG. 2

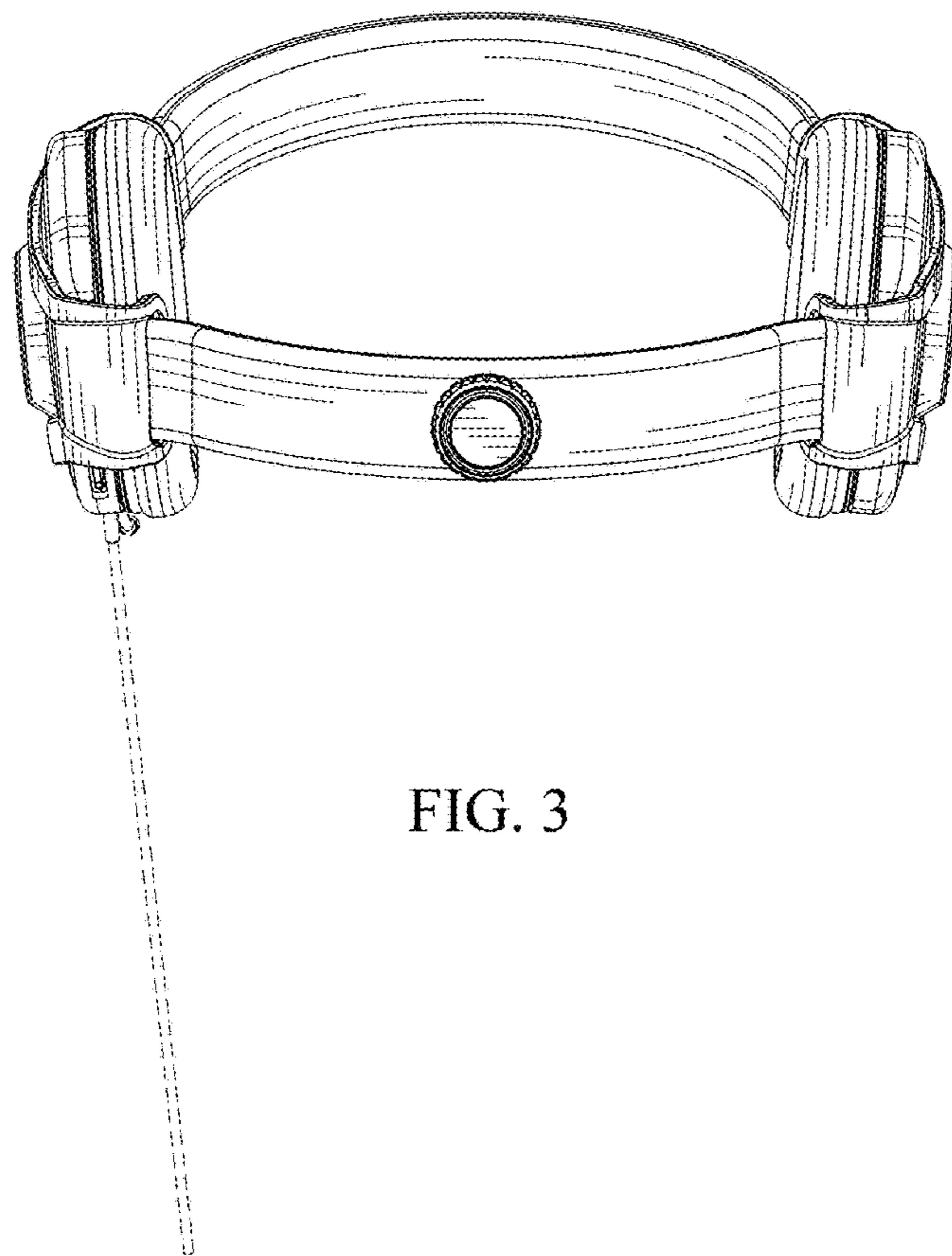


FIG. 3

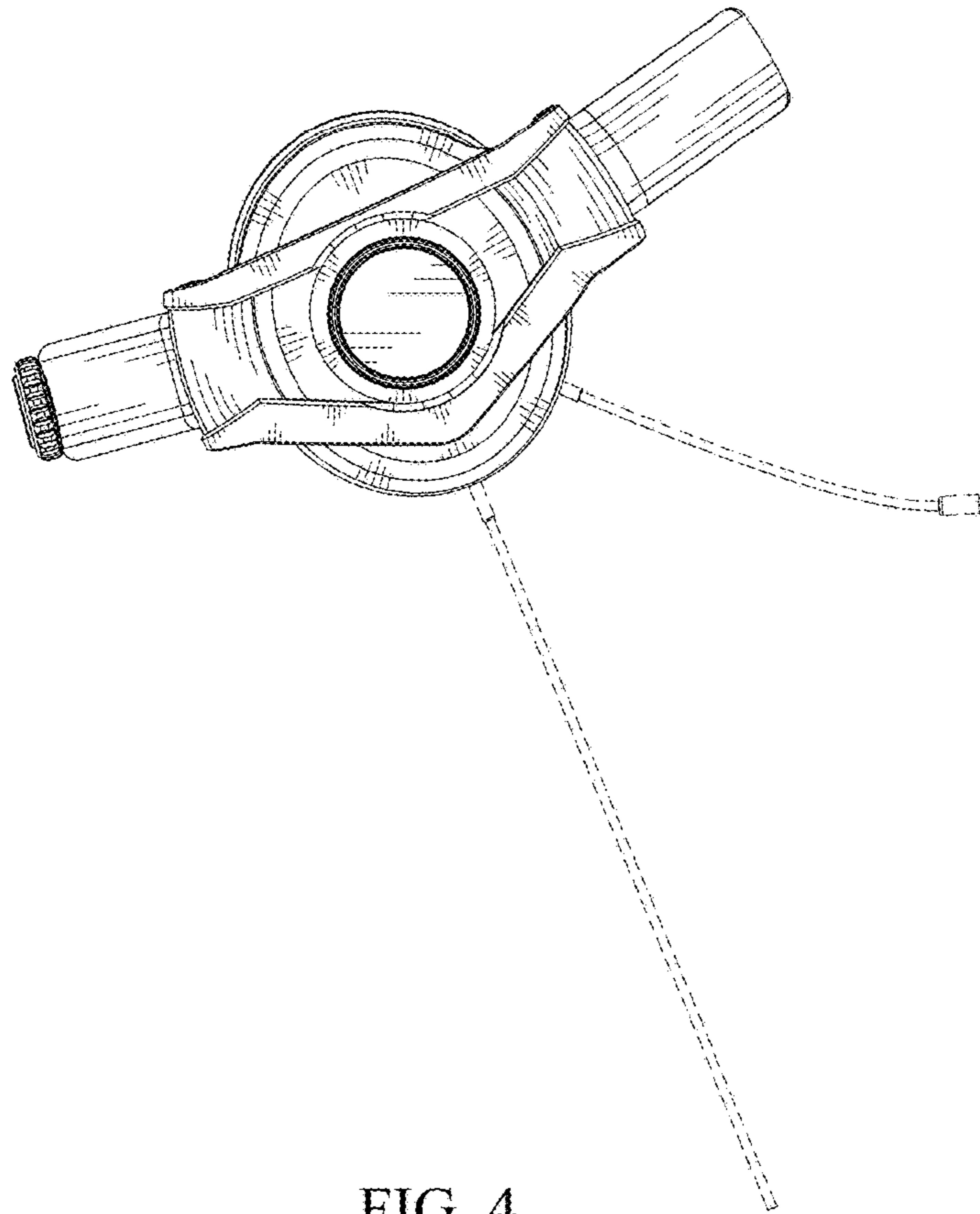


FIG. 4

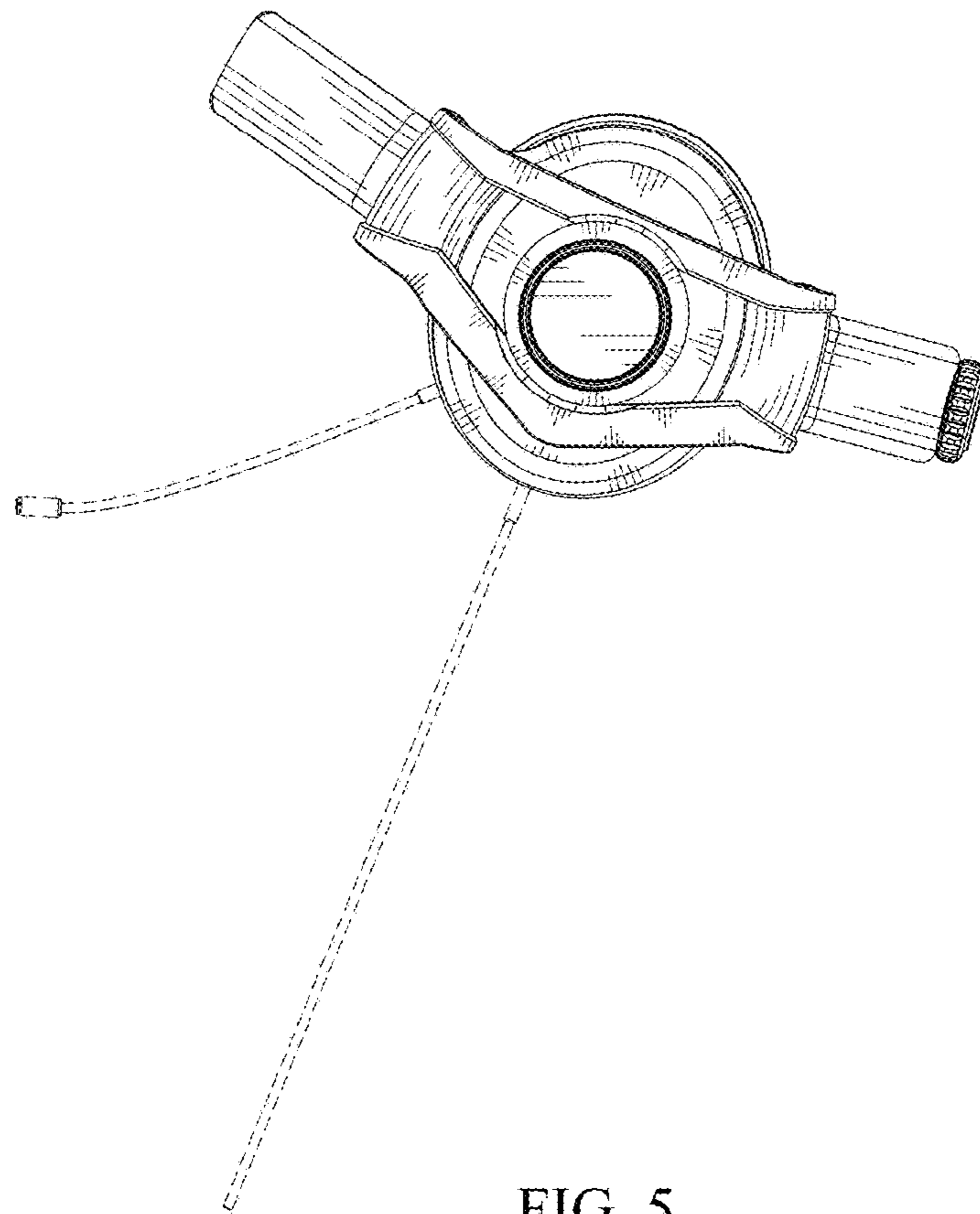


FIG. 5

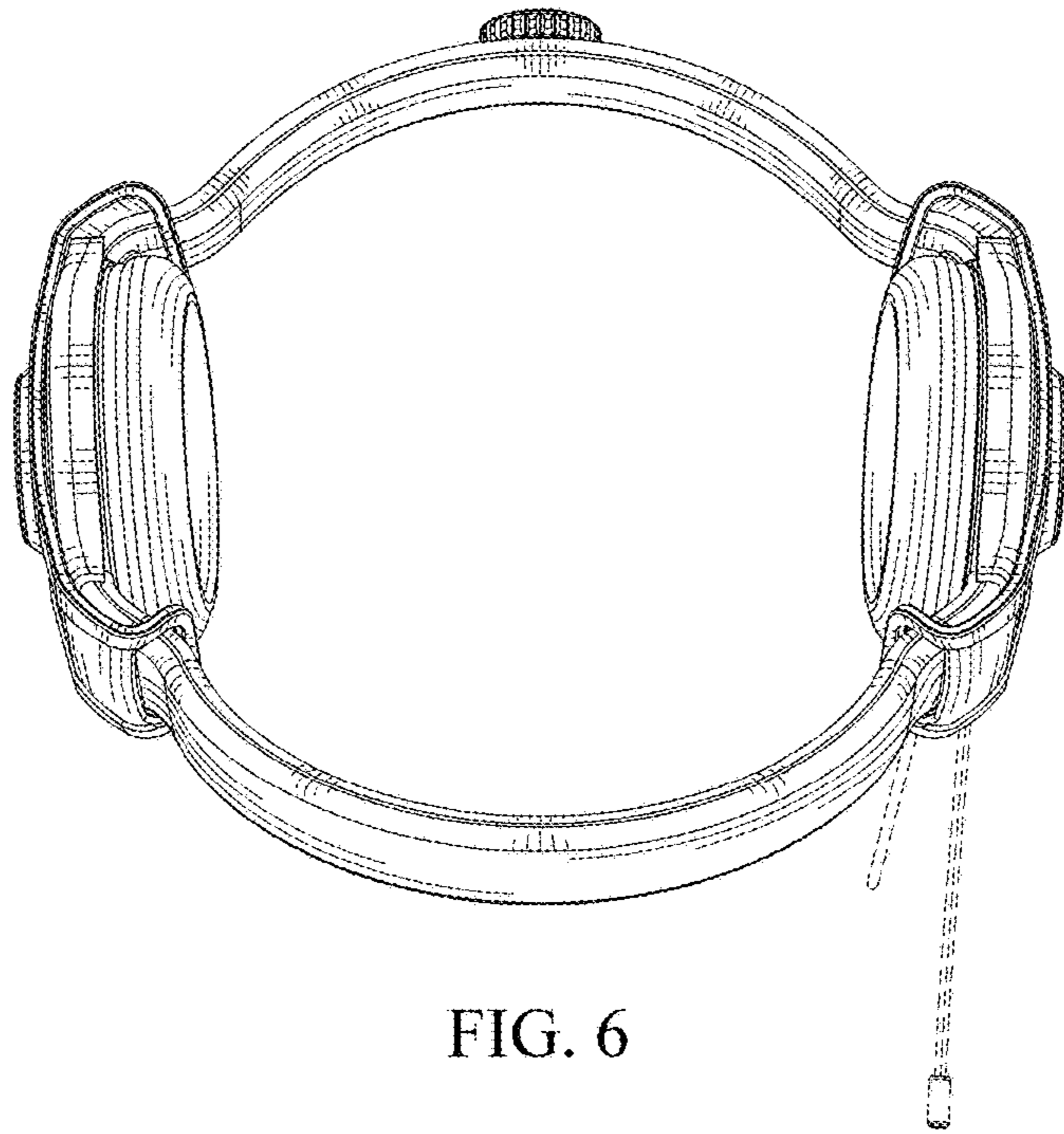


FIG. 6

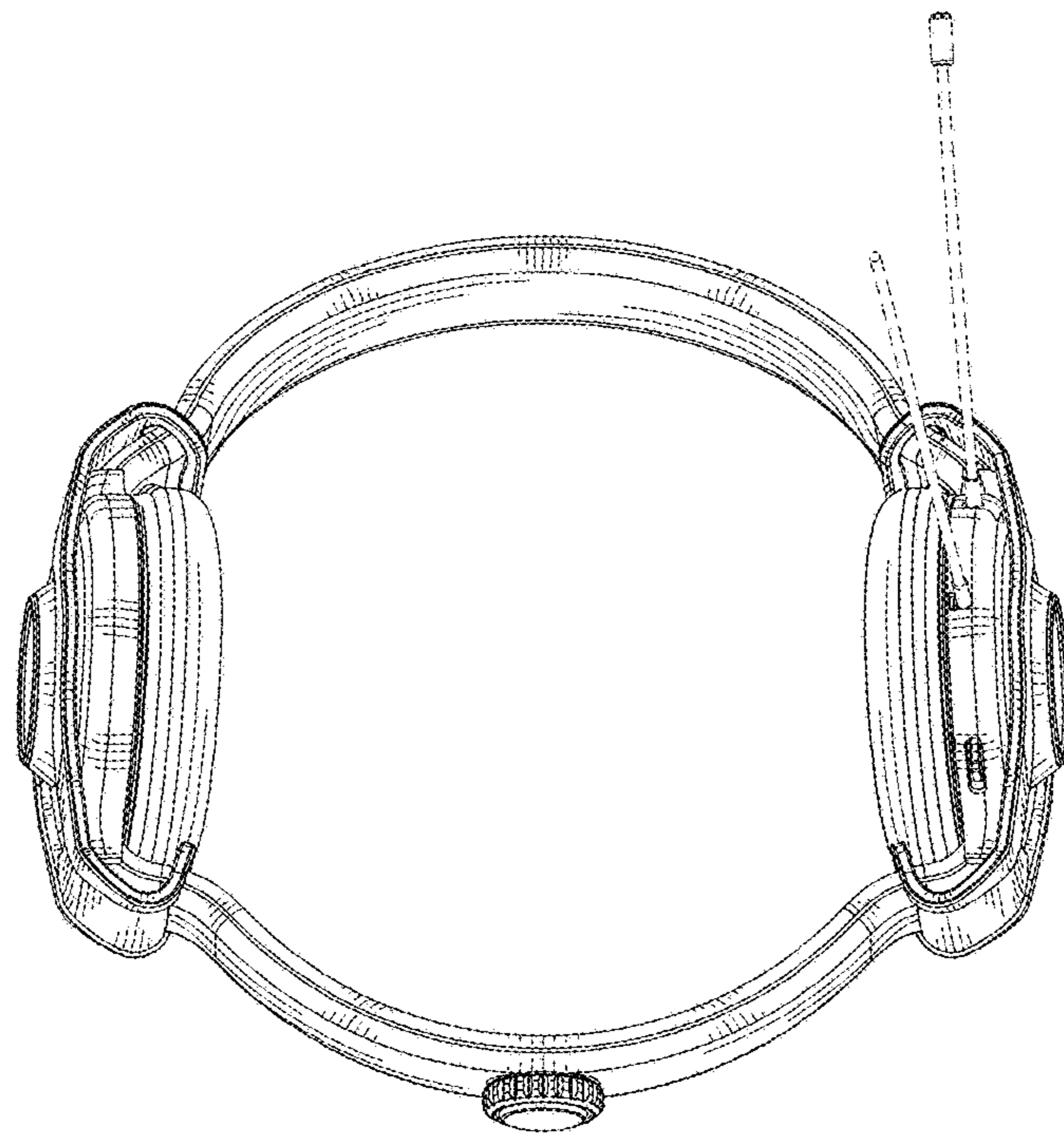


FIG. 7