



US00D845270S

(12) **United States Design Patent**
Weber

(10) **Patent No.:** **US D845,270 S**

(45) **Date of Patent:** **** Apr. 9, 2019**

(54) **HEADSET**

(71) Applicant: **Sennheiser electronic GmbH & Co. KG, Wedemark (DE)**

(72) Inventor: **Christian Weber, Zürich (CH)**

(73) Assignee: **Sennheiser electronic GmbH & Co. KG, Wedemark (DE)**

(**) Term: **15 Years**

(21) Appl. No.: **29/608,798**

(22) Filed: **Jun. 26, 2017**

(30) **Foreign Application Priority Data**

Dec. 27, 2016 (EM) 003542547-0001

Dec. 27, 2016 (EM) 003542547-0002

(51) **LOC (11) Cl.** **14-01**

(52) **U.S. Cl.**
USPC **D14/205**

(58) **Field of Classification Search**
USPC D14/205, 223, 372; 181/129, 130, 135;
379/430, 431; 381/380, 381, 370, 371,
381/374; 455/90.3, 575.1, 569.1
CPC H04R 1/1066; H04R 1/1016; H04R 5/033;
H04R 5/0335; H04R 1/10; H04R 1/1091
See application file for complete search history.

(56) **References Cited**

U.S. PATENT DOCUMENTS

- 4,070,553 A * 1/1978 Hass H04M 1/05
381/151
- 4,110,583 A * 8/1978 Lepper H04M 1/05
381/370
- 4,173,715 A * 11/1979 Gosman H04R 1/1058
181/129
- D261,511 S * 10/1981 Hass D14/192

- 6,010,216 A * 1/2000 Jesiek H04B 1/385
351/158
- D457,515 S * 5/2002 Masamitsu D14/192
- D458,245 S * 6/2002 Masuda D14/192
- 6,603,863 B1 * 8/2003 Nagayoshi H04R 1/1066
381/370
- D521,493 S * 5/2006 Wai D14/205
- D533,539 S * 12/2006 Mah D14/205
- D557,685 S * 12/2007 Lee D14/205
- D593,067 S * 5/2009 Millora D14/205
- D594,442 S * 6/2009 Chon D14/205
- D604,269 S * 11/2009 Choe D14/205
- D633,471 S * 3/2011 Sugiyama D14/205
- D653,234 S * 1/2012 Lee D14/205
- D663,714 S * 7/2012 Kang D14/205
- 8,433,082 B2 * 4/2013 Abolfathi H04R 1/46
381/151
- D703,634 S * 4/2014 Han H04R 1/1016
D14/205
- D716,759 S * 11/2014 Ha D14/205
- D719,929 S * 12/2014 Rye D14/205
- D721,673 S * 1/2015 Park D14/205

(Continued)

Primary Examiner — Paula Allen Greene

(74) *Attorney, Agent, or Firm* — Haug Partners LLP

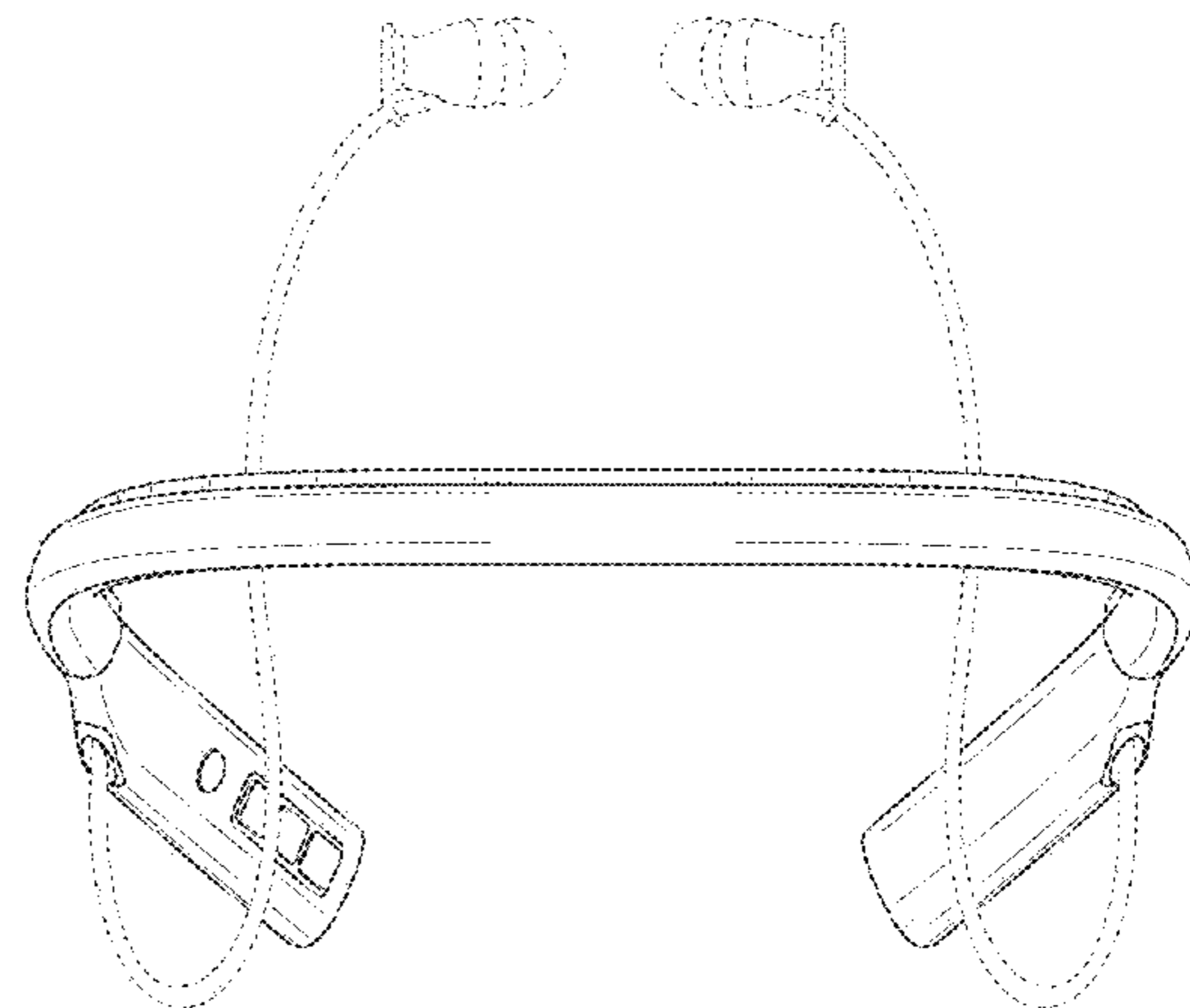
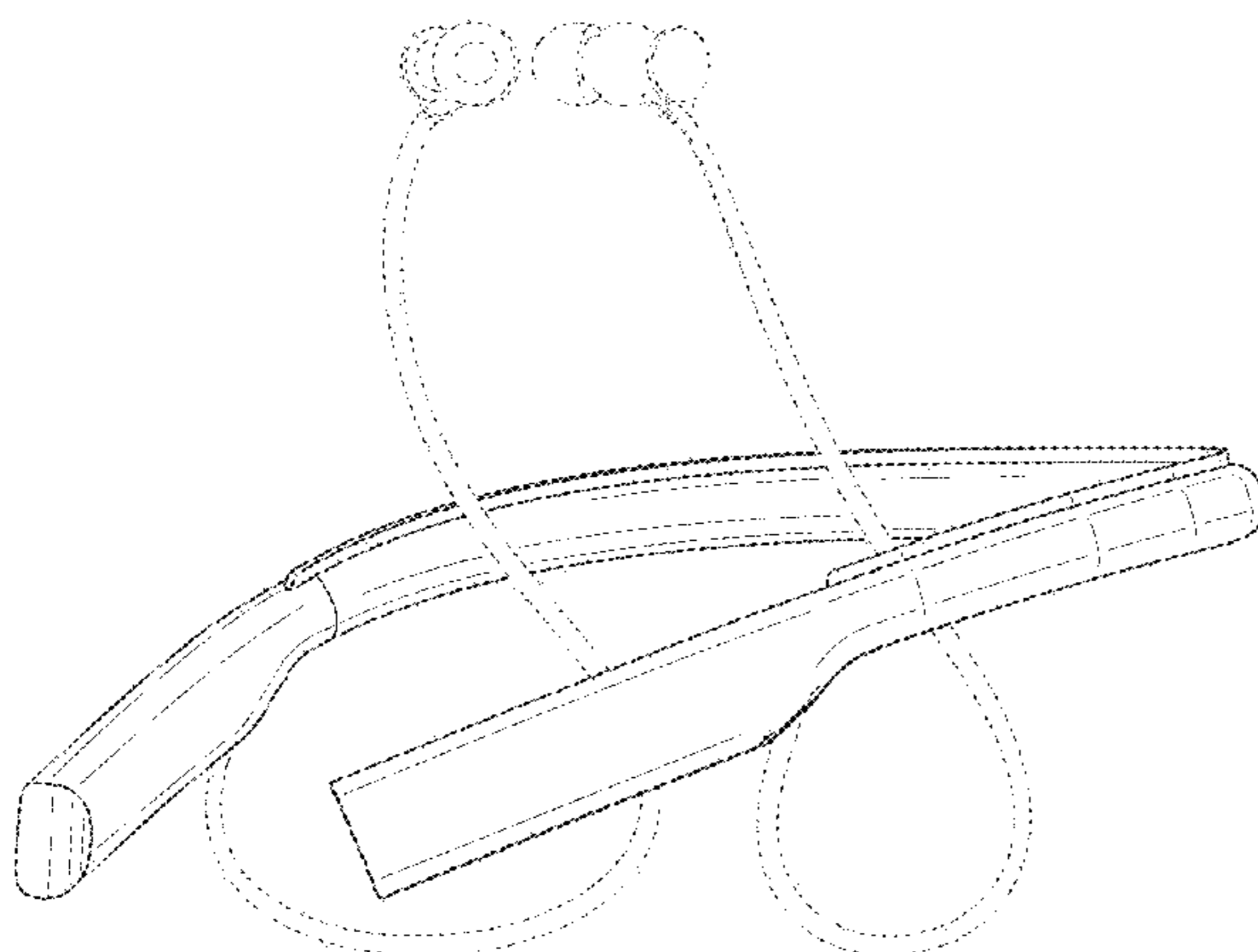
(57) **CLAIM**

The ornamental design for a headset, as shown and described.

DESCRIPTION

FIG. 1 is a perspective view of headphones showing my new design;
 FIG. 2 is a right side view of headphones thereof;
 FIG. 3 is a left side view of headphones thereof;
 FIG. 4 is a rear view of headphones thereof;
 FIG. 5 is a front view of headphones thereof;
 FIG. 6 is a bottom side view of headphones thereof; and,
 FIG. 7 is a top side view of headphones thereof.
 The broken lines in the figures depict environmental that forms no part of the claimed design.

1 Claim, 7 Drawing Sheets



(56)

References Cited

U.S. PATENT DOCUMENTS

8,934,654 B2 * 1/2015 Fullam H04R 1/028
 381/381
 D730,867 S * 6/2015 Park D14/205
 D731,999 S * 6/2015 Ceyress D14/205
 D736,740 S * 8/2015 Hwang D14/205
 D740,785 S * 10/2015 Chen D14/205
 D743,933 S * 11/2015 Park D14/205
 D756,958 S * 5/2016 Lee D14/205
 D756,959 S * 5/2016 Lee D14/205
 D762,617 S * 8/2016 Park D14/205
 D763,822 S * 8/2016 Lee D14/205
 D766,210 S * 9/2016 Graylin D14/205
 D766,869 S * 9/2016 Lee D14/205
 9,445,181 B1 * 9/2016 Atwater H04R 1/105
 D768,600 S * 10/2016 Chen D14/205
 D771,587 S * 11/2016 Iwane D14/205
 D771,588 S * 11/2016 Choe D14/205
 D772,843 S * 11/2016 Lee D14/205
 D774,017 S * 12/2016 Ahn D14/205
 D776,636 S * 1/2017 Lim D14/205
 D777,137 S * 1/2017 Erbeus D14/205
 D781,817 S * 3/2017 Lee D14/205
 D793,357 S * 8/2017 Afshar D14/205
 D793,358 S * 8/2017 Lee D14/205
 D795,836 S * 8/2017 Liden D14/205
 D797,701 S * 9/2017 Miller D14/205
 D800,089 S * 10/2017 Park D14/205
 D800,090 S * 10/2017 Ahn D14/205
 D802,557 S * 11/2017 Kumano D14/205
 D803,186 S * 11/2017 Park D14/205
 D810,047 S * 2/2018 Tzeng D14/205
 D811,366 S * 2/2018 Mackiewicz D14/205
 D815,068 S * 4/2018 Huang D14/223
 D818,454 S * 5/2018 Zhu D14/205
 D820,811 S * 6/2018 Kim D14/205
 D824,361 S * 7/2018 Park D14/205
 D824,877 S * 8/2018 Kim D14/205
 D826,899 S * 8/2018 Ahn D14/205
 D830,341 S * 10/2018 Yokozeki D14/210
 D830,995 S * 10/2018 Shin D14/205
 D830,996 S * 10/2018 Park D14/205

D830,997 S * 10/2018 Park D14/205
 D830,998 S * 10/2018 Kim D14/205
 D830,999 S * 10/2018 Kim D14/205
 D831,611 S * 10/2018 Kim D14/205
 D832,234 S * 10/2018 Park D14/205
 D832,814 S * 11/2018 Kim D14/205
 D832,815 S * 11/2018 Park D14/205
 D832,816 S * 11/2018 Park D14/205
 D832,817 S * 11/2018 Park D14/205
 D832,819 S * 11/2018 Park D14/205
 D833,997 S * 11/2018 Ando D14/205
 D833,998 S * 11/2018 Park D14/205
 2007/0003093 A1 * 1/2007 Ito H04R 1/1066
 381/378
 2007/0104333 A1 * 5/2007 Kuo H04R 1/1025
 381/74
 2009/0226011 A1 * 9/2009 Abolfathi H04R 25/606
 381/151
 2009/0226017 A1 * 9/2009 Abolfathi H04R 25/606
 381/326
 2009/0274335 A1 * 11/2009 Cheung H04R 5/0335
 381/374
 2011/0170702 A1 * 7/2011 Bays H04R 5/0335
 381/74
 2012/0163617 A1 * 6/2012 Silvestri H04R 1/1016
 381/74
 2013/0156250 A1 * 6/2013 Hsu Huang H04R 1/1075
 381/385
 2013/0329903 A1 * 12/2013 Ting H04R 1/105
 381/74
 2014/0185837 A1 * 7/2014 Kunimoto H04R 1/1075
 381/151
 2015/0264474 A1 * 9/2015 Seo H04R 1/1091
 381/74
 2016/0037248 A1 * 2/2016 Cheng H04R 1/105
 381/74
 2016/0050487 A1 * 2/2016 Kim H04R 1/323
 381/74
 2016/0106192 A1 * 4/2016 Swartz A45D 8/36
 132/275
 2017/0070801 A1 * 3/2017 Nguyen H04R 1/105
 2017/0195768 A1 * 7/2017 Kim H04R 1/1016

* cited by examiner

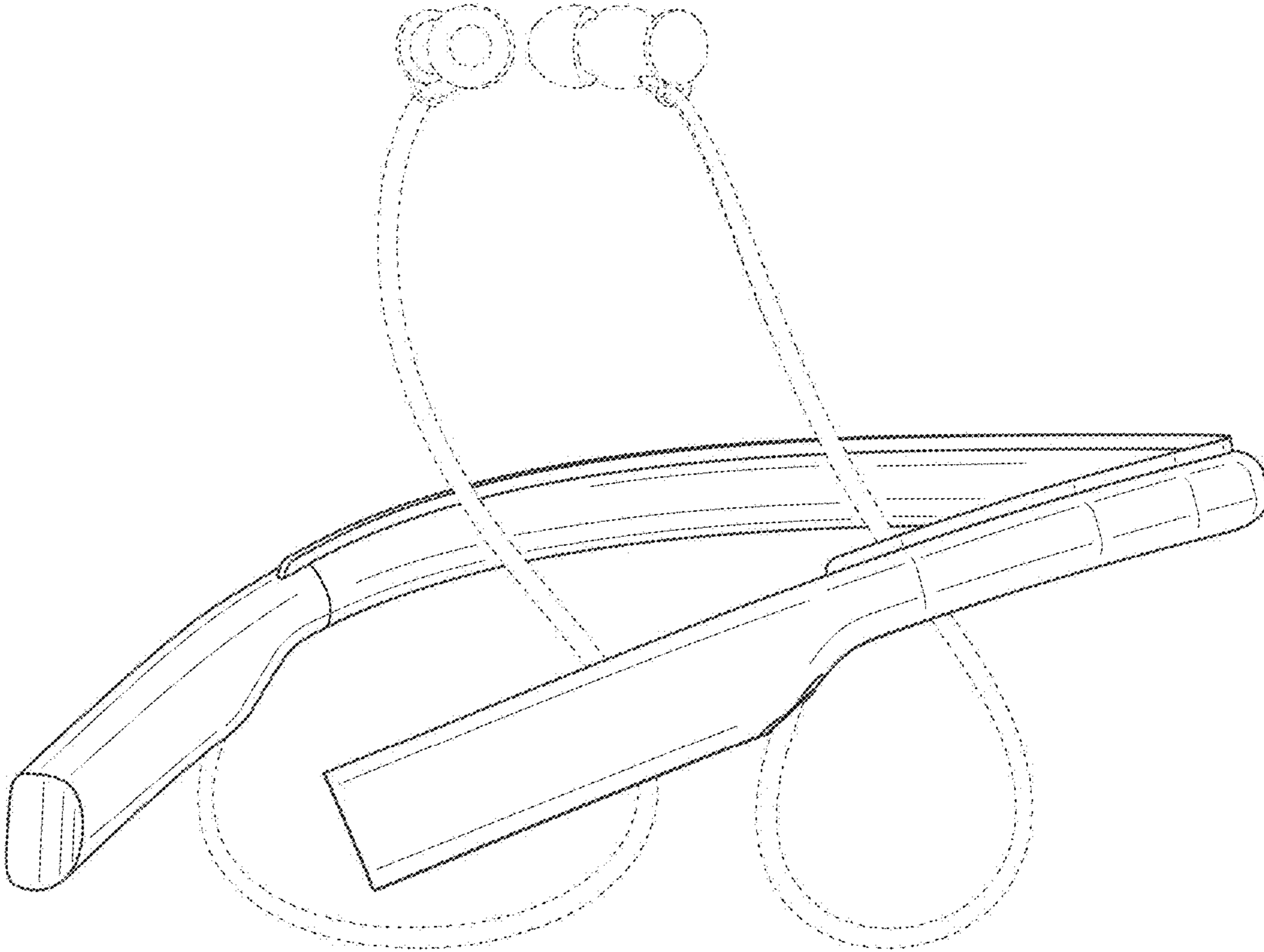


Fig. 1

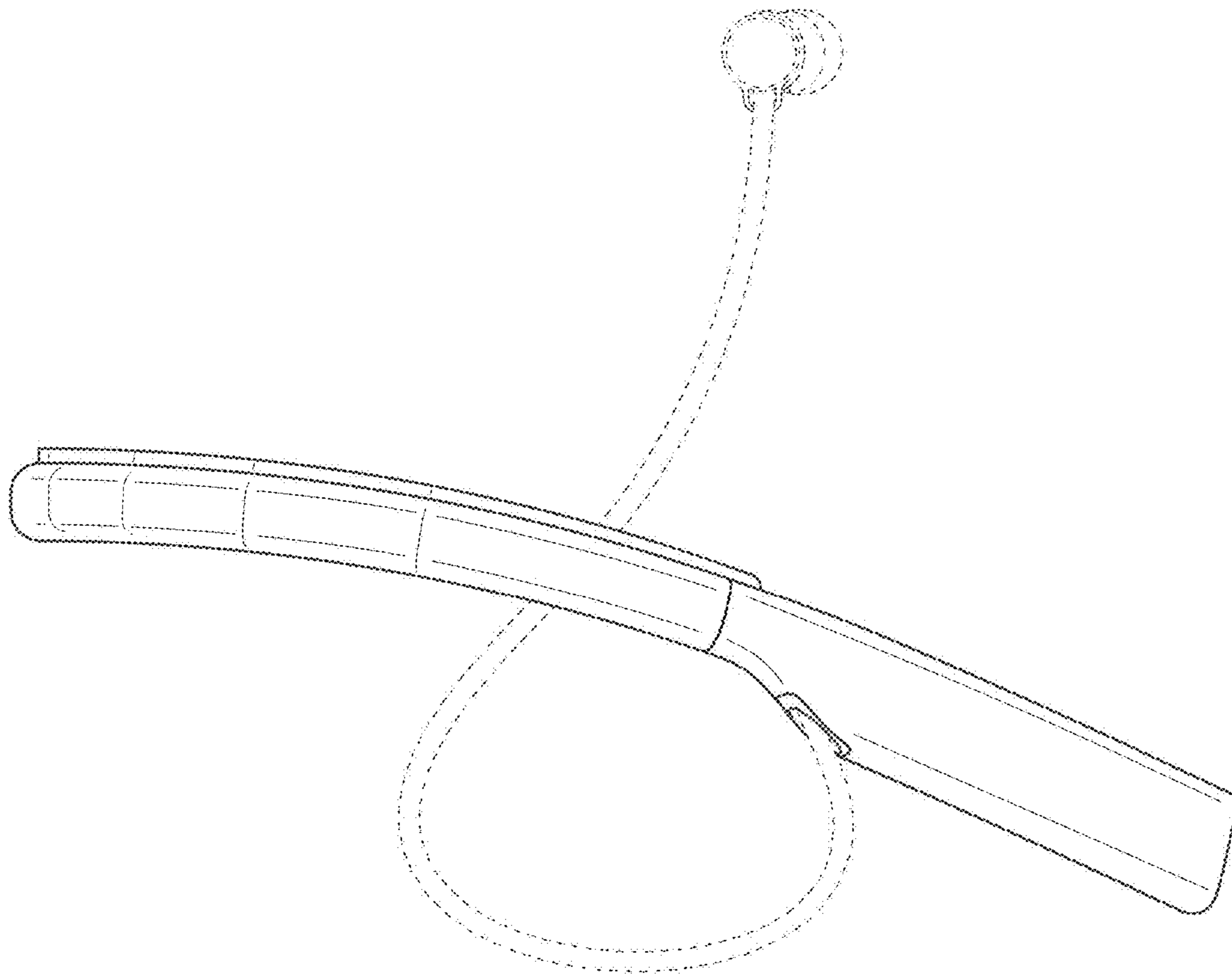


Fig. 2

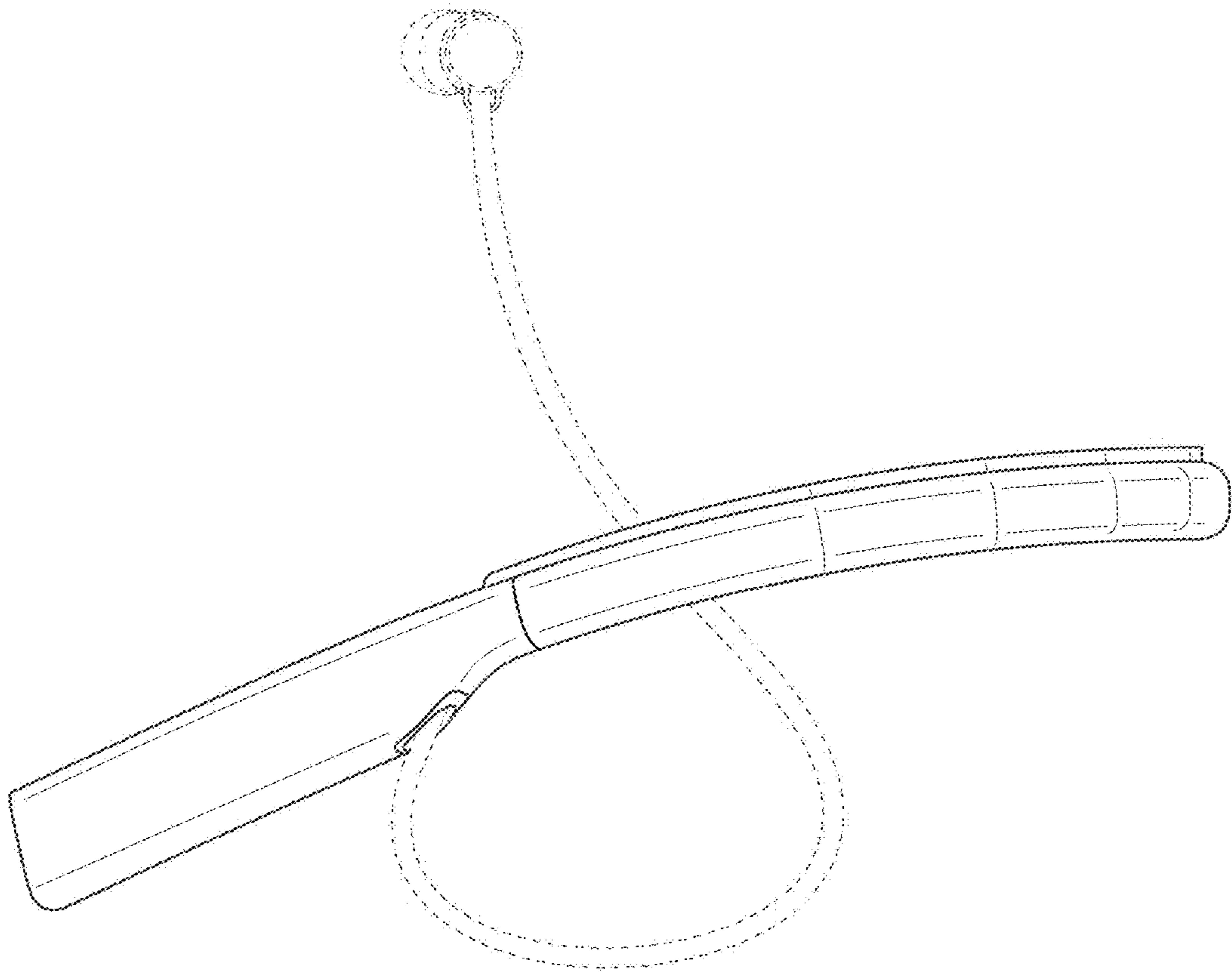


Fig. 3

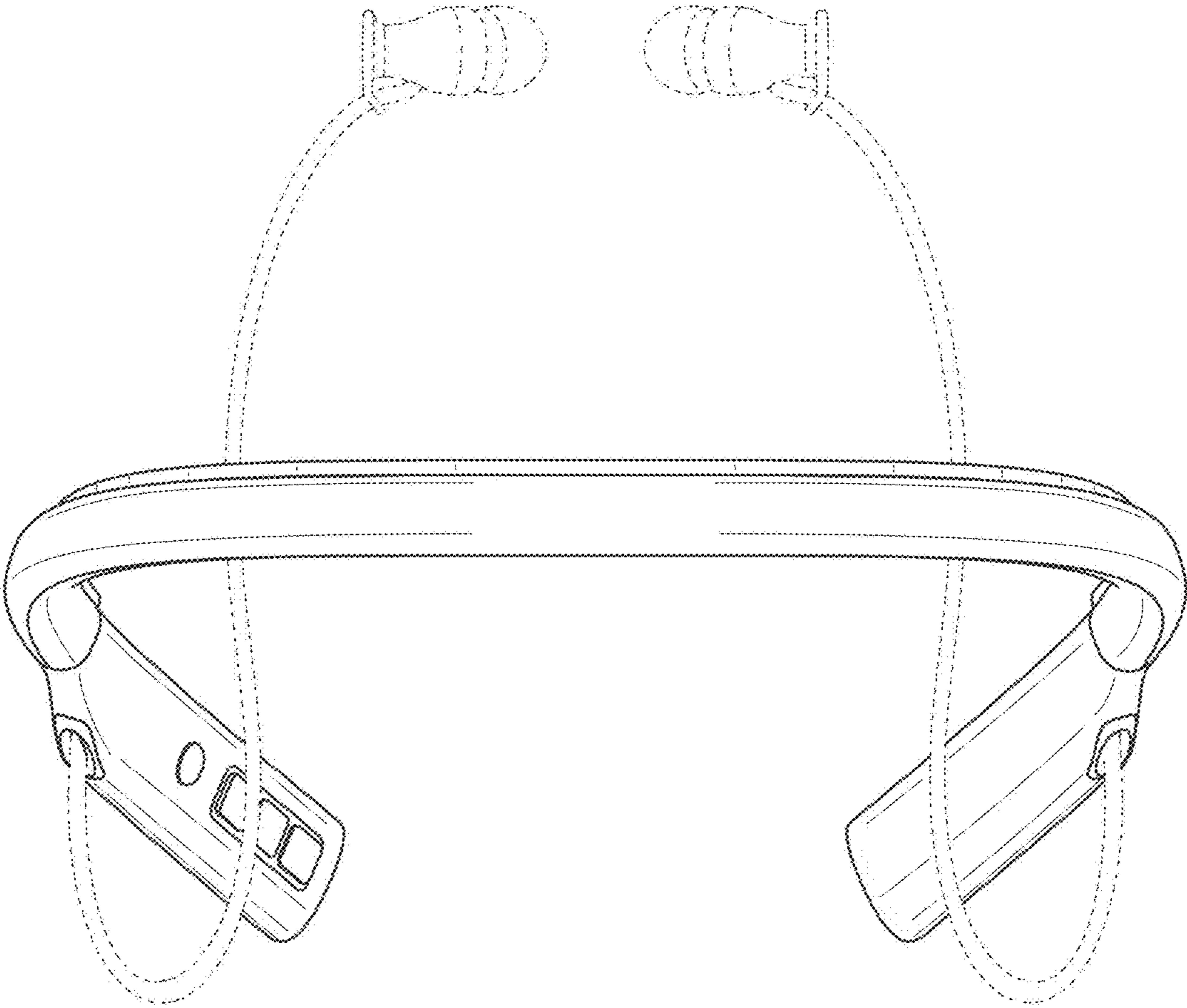


Fig. 4

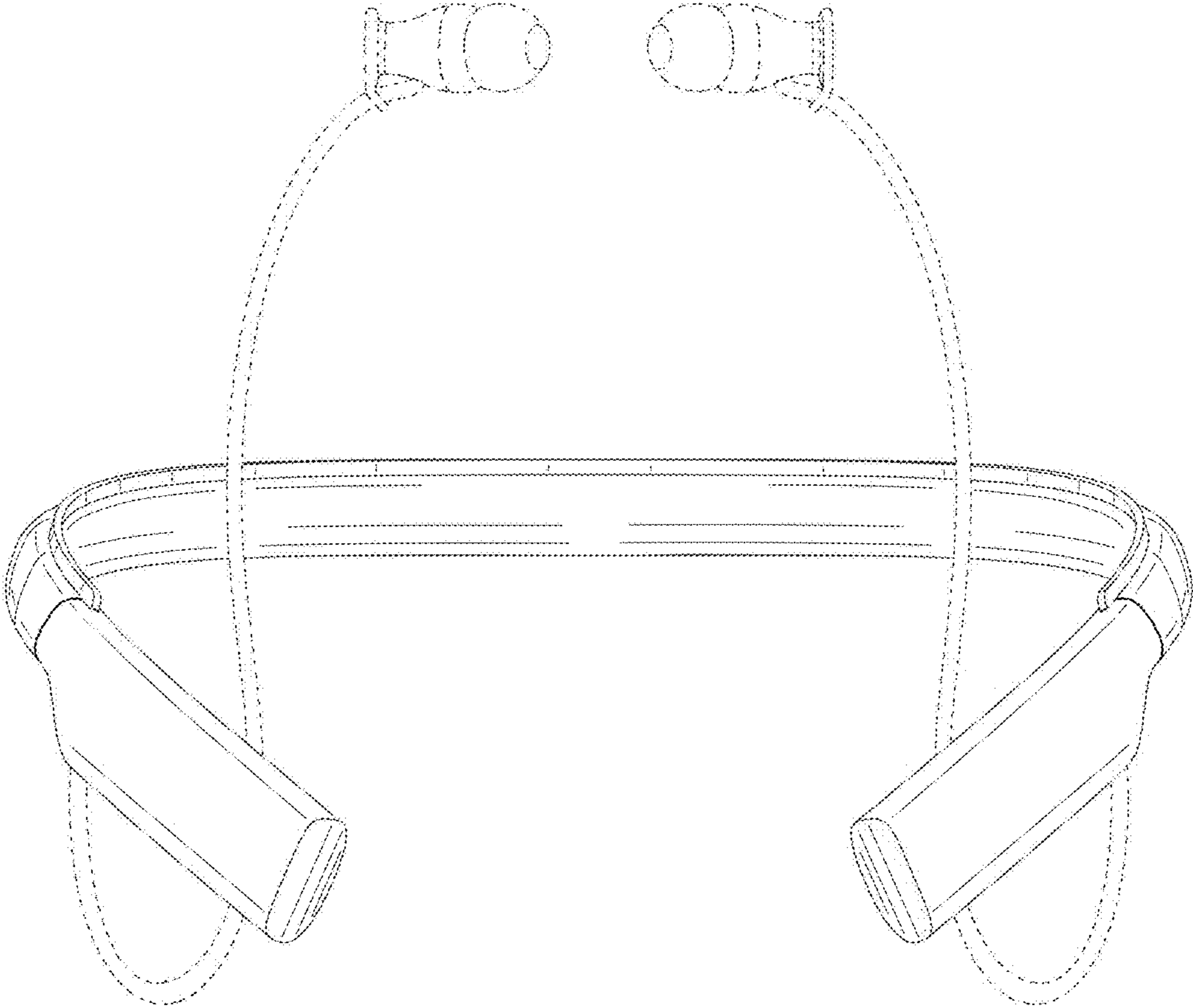


Fig. 5



Fig. 6

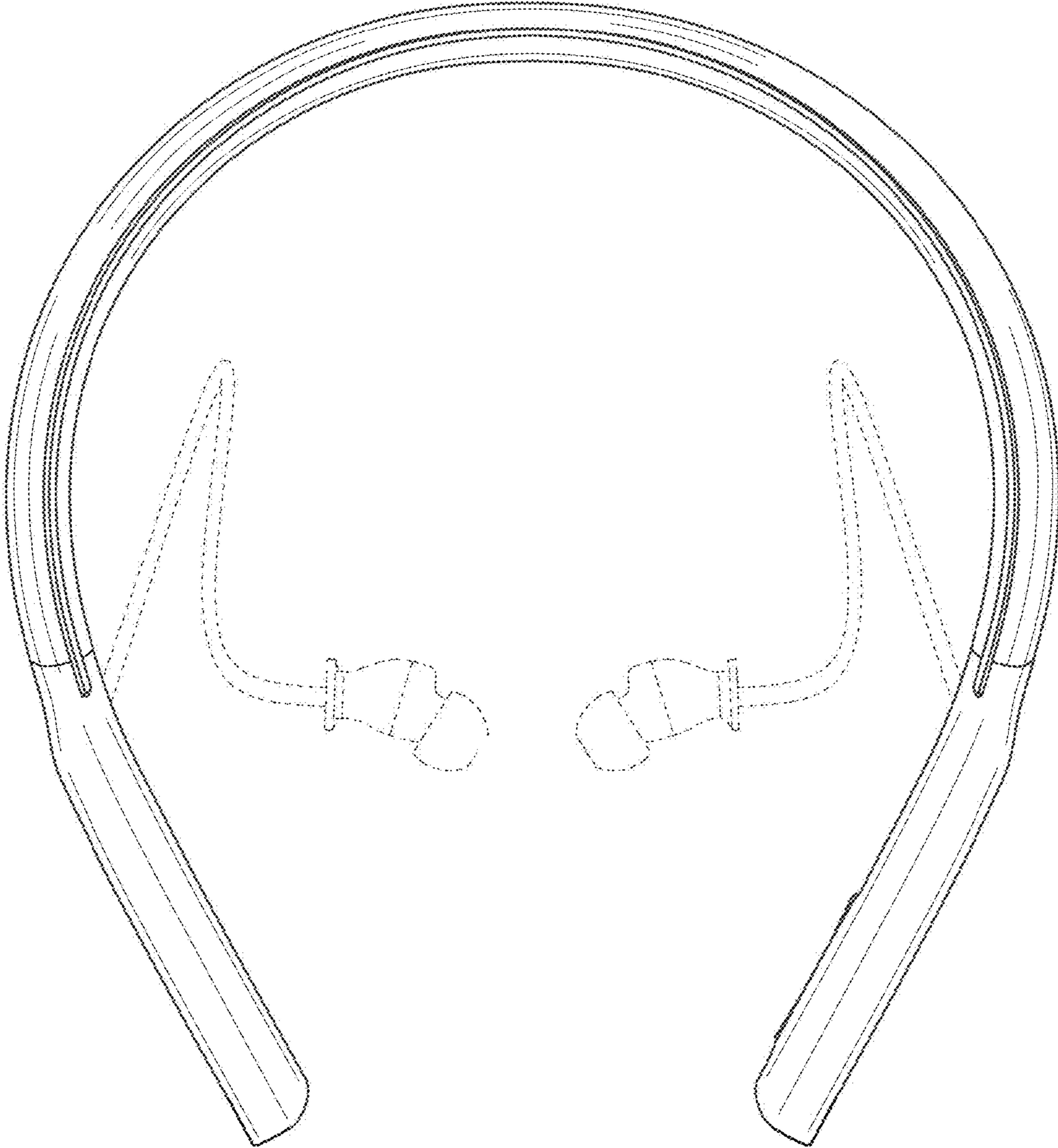


Fig. 7