



US00D845269S

(12) **United States Design Patent**
Yang et al.

(10) **Patent No.:** **US D845,269 S**

(45) **Date of Patent:** **** Apr. 9, 2019**

(54) **LOUDSPEAKER**

(71) Applicant: **Harman International Industries, Incorporated**, Northridge, CA (US)

(72) Inventors: **Bochao Yang**, Shenzhen (CN); **Rafal Czaniecki**, Shenzhen (CN)

(73) Assignee: **Harman International Industries, Incorporated**, Northridge, CA (US)

(**) Term: **15 Years**

(21) Appl. No.: **29/589,281**

(22) Filed: **Dec. 29, 2016**

(51) **LOC (11) Cl.** **14-01**

(52) **U.S. Cl.**
USPC **D14/204**

(58) **Field of Classification Search**
USPC D14/167, 188, 204, 209.1, 210–215, 348, D14/352, 498–505; 181/143, 144, 148, 181/153, 157, 198, 199; 369/6–12; 381/300–303, 361–364, 366, 386–388
CPC H04R 1/02; H04R 1/021; H04R 1/023; H04R 5/00; H04R 9/06; H04R 2420/07
See application file for complete search history.

(56) **References Cited**

U.S. PATENT DOCUMENTS

D267,514 S *	1/1983	Leung	D26/37
D484,252 S *	12/2003	Hughes	D25/121
D597,529 S *	8/2009	Tan	D14/214
D618,213 S *	6/2010	Goh	D14/209.1
D641,338 S *	7/2011	Chen	D14/209.1
D671,659 S *	11/2012	Clayton	D25/126
D672,747 S *	12/2012	Khoo	D14/214
D681,606 S *	5/2013	Nishii	D14/214
D712,952 S *	9/2014	Sumii	D14/496
D718,335 S *	11/2014	Lee	D14/203.1
D742,855 S *	11/2015	Carbone	D14/214
D743,940 S *	11/2015	Yang	D14/214
D756,961 S	5/2016	White et al.		

(Continued)

Primary Examiner — Derrick E Holland

Assistant Examiner — Janice Patyk

(74) *Attorney, Agent, or Firm* — Plumsea Law Group, LLC

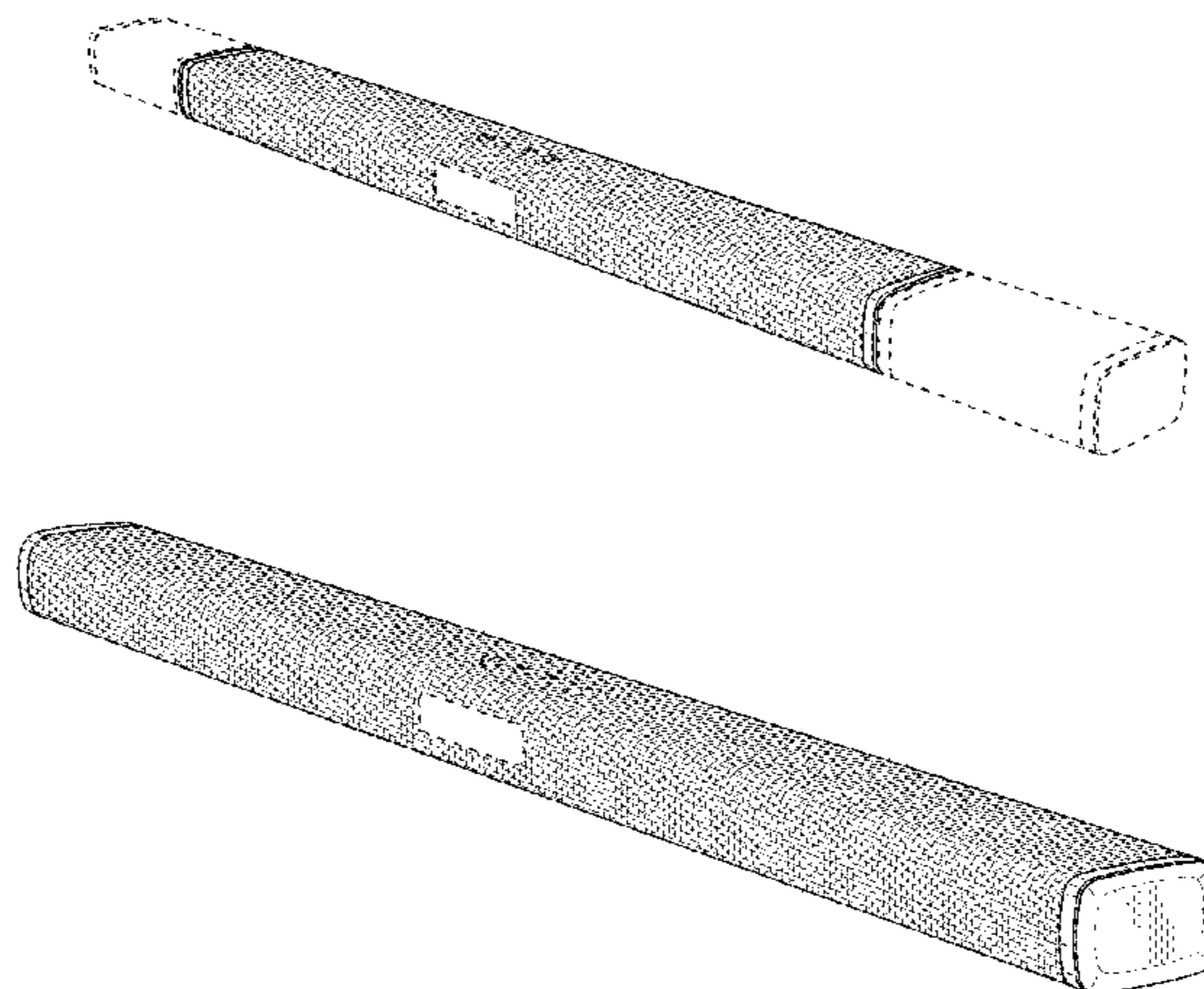
(57) **CLAIM**

The ornamental design for a loudspeaker, as shown and described.

DESCRIPTION

FIG. 1 is a top perspective view of a loudspeaker of embodiment one, showing our new design;
 FIG. 2 is a front elevational view thereof;
 FIG. 3 is a rear elevational view thereof;
 FIG. 4 is a side elevational view thereof;
 FIG. 5 is an opposite side elevational view thereof;
 FIG. 6 is a top plan view thereof;
 FIG. 7 is a bottom plan view thereof;
 FIG. 8 is a top perspective view of a loudspeaker of embodiment two, showing our new design, shown in enlarged scale;
 FIG. 9 is a front elevational view thereof;
 FIG. 10 is a rear elevational view thereof;
 FIG. 11 is a side elevational view thereof;
 FIG. 12 is an opposite side elevational view thereof;
 FIG. 13 is a top plan view thereof;
 FIG. 14 is a bottom plan view thereof;
 FIG. 15 is a top perspective view of a loudspeaker of embodiment three, showing our new design, shown in enlarged scale;
 FIG. 16 is a front elevational view thereof;
 FIG. 17 is a rear elevational view thereof;
 FIG. 18 is a side elevational view thereof;
 FIG. 19 is an opposite side elevational view thereof;
 FIG. 20 is a top plan view thereof; and,
 FIG. 21 is a bottom plan view thereof.
 The broken lines in the figures illustrate the portions of the design that form no part of the claimed design.

1 Claim, 18 Drawing Sheets



(56)

References Cited

U.S. PATENT DOCUMENTS

D756,962 S	5/2016	White et al.	
D756,963 S	5/2016	White et al.	
D756,964 S	5/2016	White et al.	
D757,686 S	5/2016	White et al.	
D757,687 S	5/2016	White et al.	
9,469,254 B1	10/2016	White et al.	
2012/0300962 A1 *	11/2012	Devoto	H04R 5/02 381/300

* cited by examiner

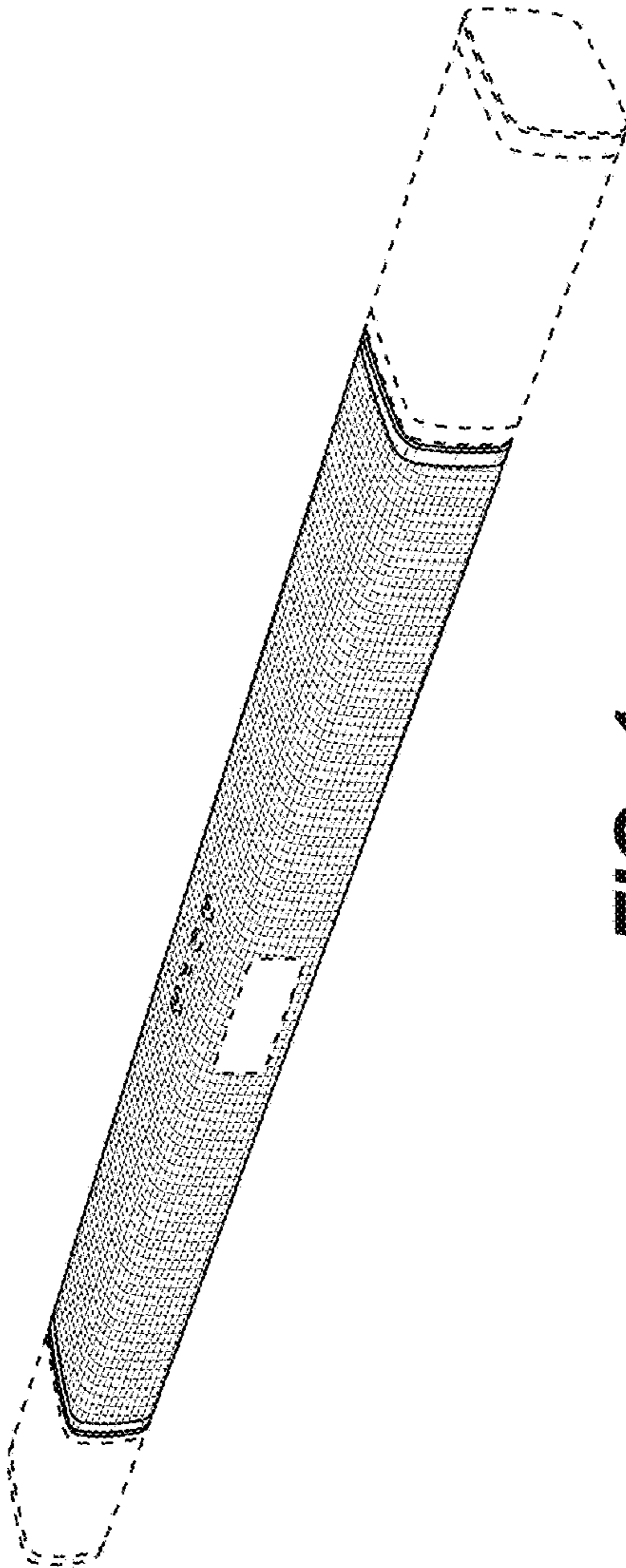


FIG. 1



FIG. 2

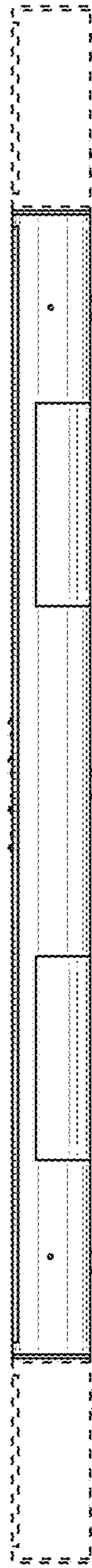


FIG. 3



FIG. 4



FIG. 5

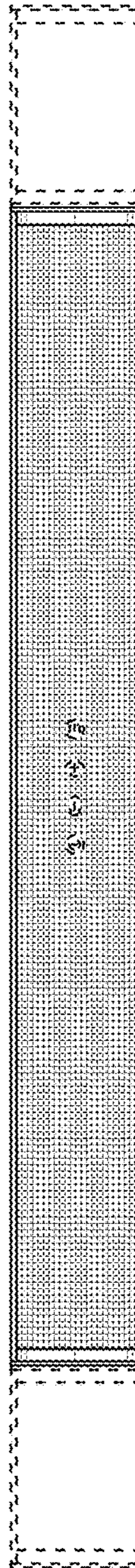


FIG. 6

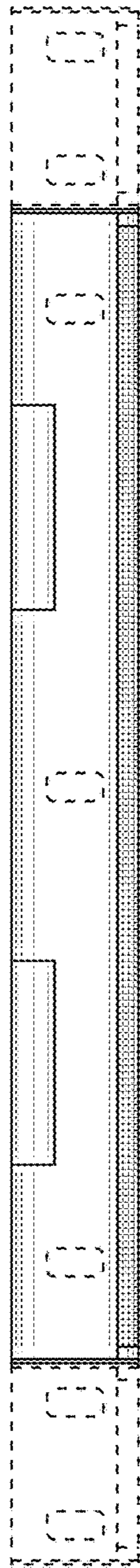


FIG. 7

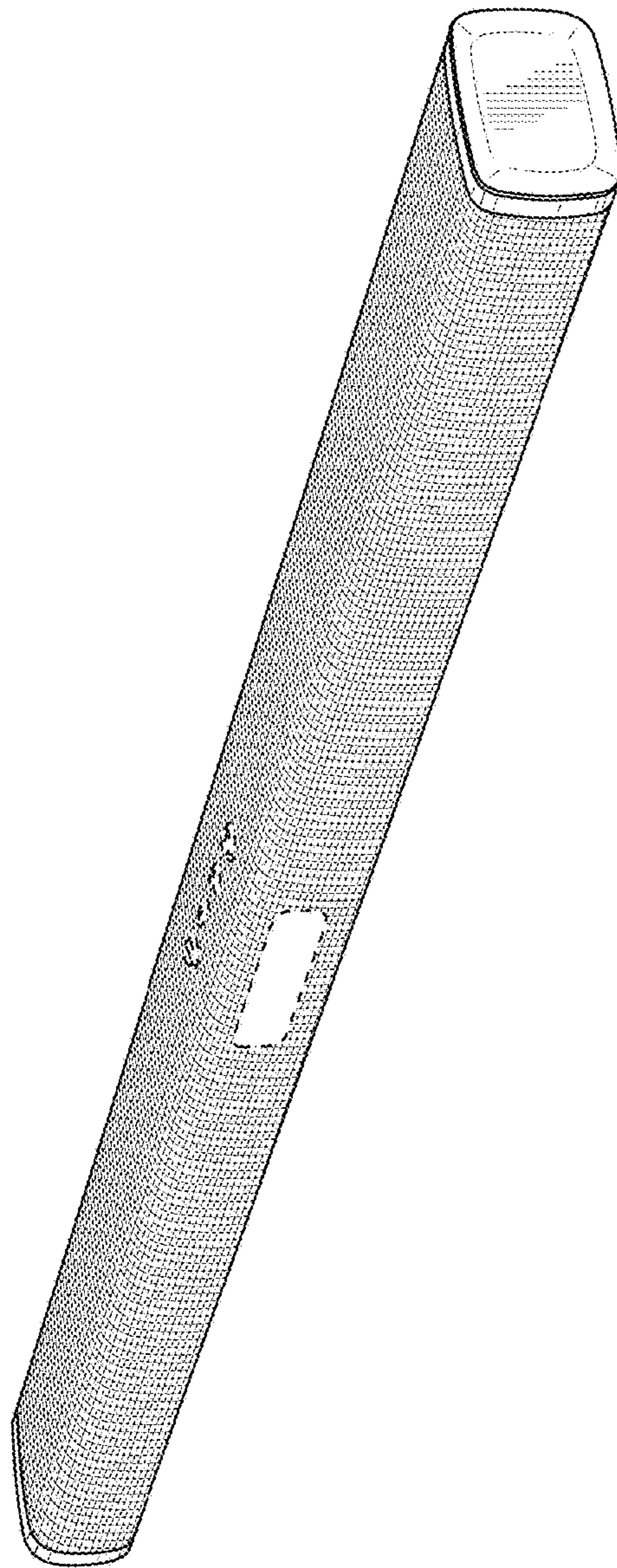


FIG. 8



FIG. 9

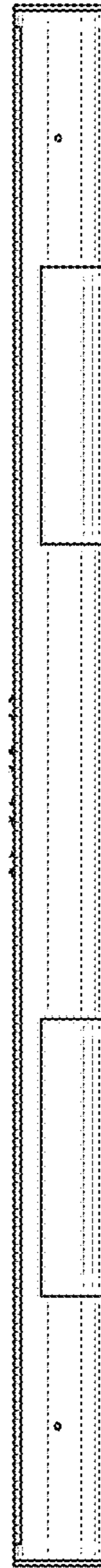


FIG. 10

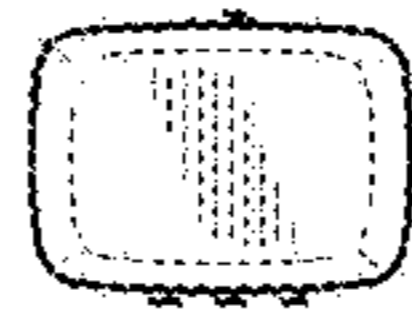


FIG. 11



FIG. 12

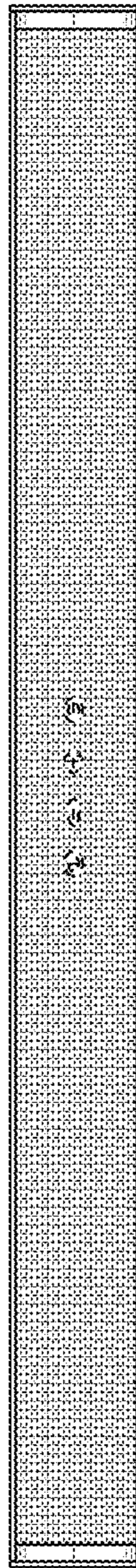


FIG. 13

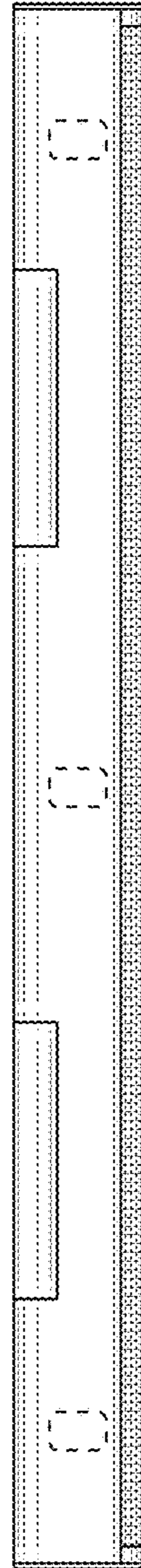


FIG. 14

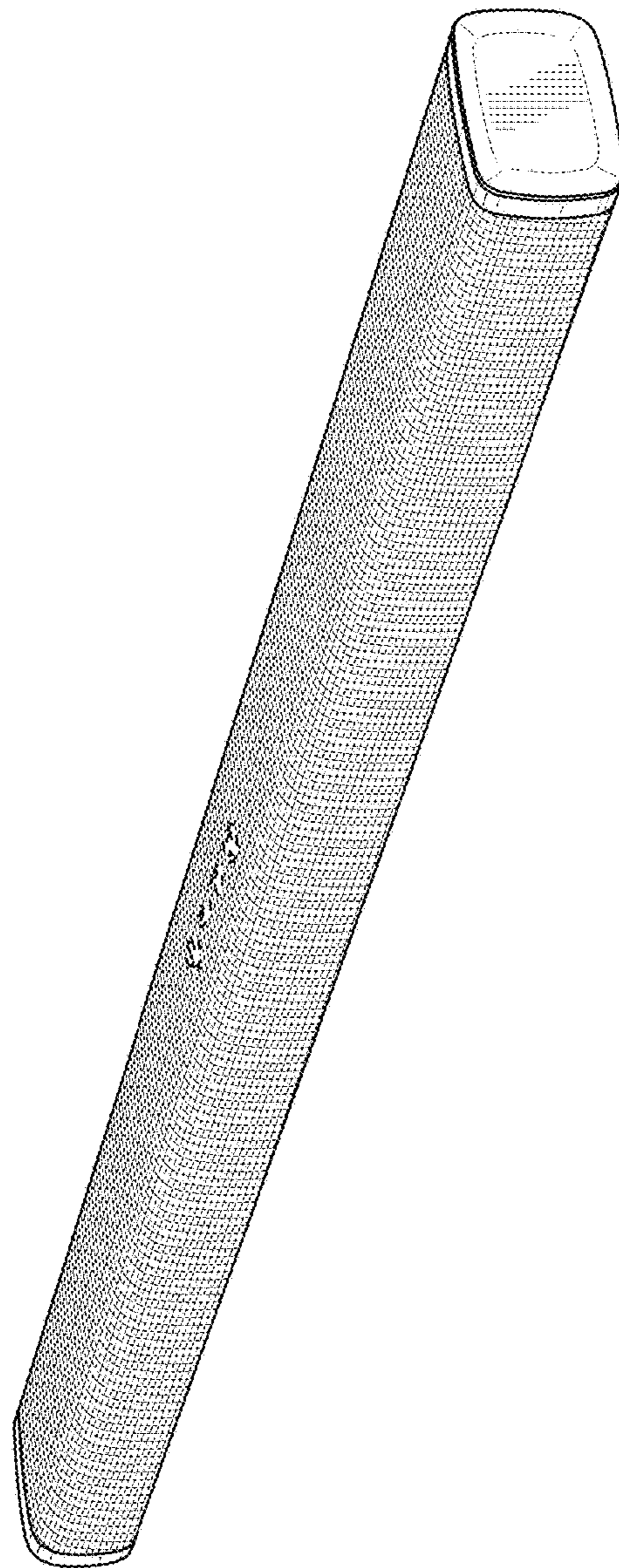


FIG. 15



FIG. 16

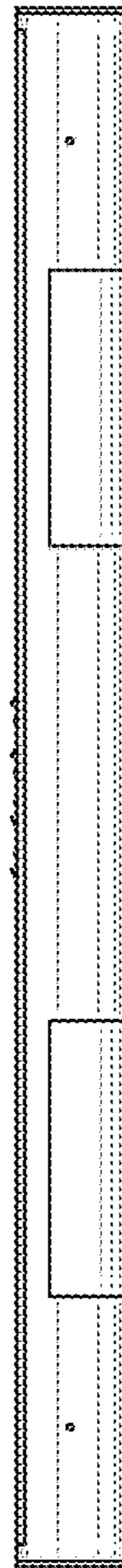


FIG. 17

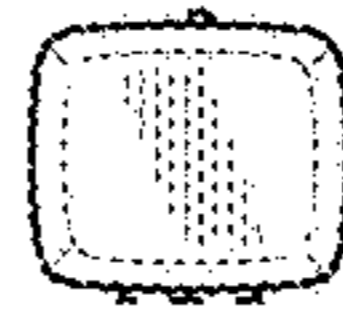


FIG. 18



FIG. 19

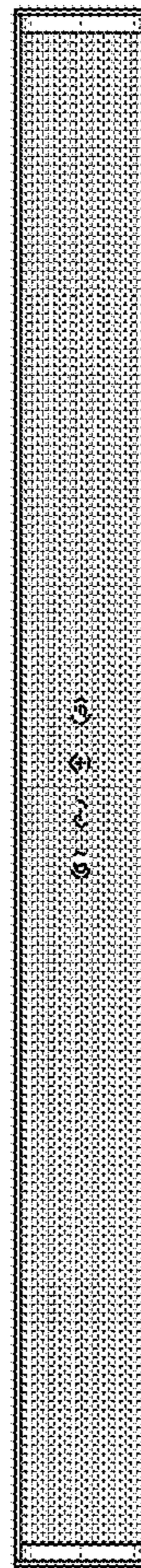


FIG. 20



FIG. 21