



US00D845268S

(12) **United States Design Patent** (10) **Patent No.:** **US D845,268 S**  
**He** (45) **Date of Patent:** **\*\* Apr. 9, 2019**

(54) **RECORD PLAYER**

(71) Applicant: **Shanming He**, Hubei (CN)

(72) Inventor: **Shanming He**, Hubei (CN)

(\*\*) Term: **15 Years**

(21) Appl. No.: **29/645,732**

(22) Filed: **Apr. 28, 2018**

(51) **LOC (11) Cl.** ..... **14-01**

(52) **U.S. Cl.**  
USPC ..... **D14/202; D14/203**

(58) **Field of Classification Search**  
USPC ..... D14/199–203, 261; 369/264–265  
CPC ..... B60R 11/02; B60K 37/04; B60K 37/06;  
H04B 1/08; H04B 1/082; G11B 17/16;  
G11B 23/00; G11B 19/16

See application file for complete search history.

(56) **References Cited**

**U.S. PATENT DOCUMENTS**

- D238,394 S \* 1/1976 Akazawa ..... D14/202
- D241,162 S \* 8/1976 Lubalin ..... D14/203
- D241,574 S \* 9/1976 Mukai et al. .... D14/202
- D247,488 S \* 3/1978 Ohtomo ..... D14/202
- D249,143 S \* 8/1978 Ohtomo ..... D14/203
- D250,333 S \* 11/1978 Meunier ..... D14/203
- D250,334 S \* 11/1978 Meunier ..... D14/203
- D252,330 S \* 7/1979 Leech ..... D14/203

- D252,393 S \* 7/1979 Kashidaira ..... D14/203
- D265,196 S \* 6/1982 Matsumura ..... D14/202
- D268,028 S \* 2/1983 Ekuan ..... D14/202
- D268,264 S \* 3/1983 Wilkes ..... D14/203

**OTHER PUBLICATIONS**

Ion Record Player, published Dec. 2013. [http://thefancy-media-ec4.thefancy.com/310/20131205/510433066695532290\\_43ef6a914b41.jpg](http://thefancy-media-ec4.thefancy.com/310/20131205/510433066695532290_43ef6a914b41.jpg)\*

\* cited by examiner

*Primary Examiner* — Sandra L Morris

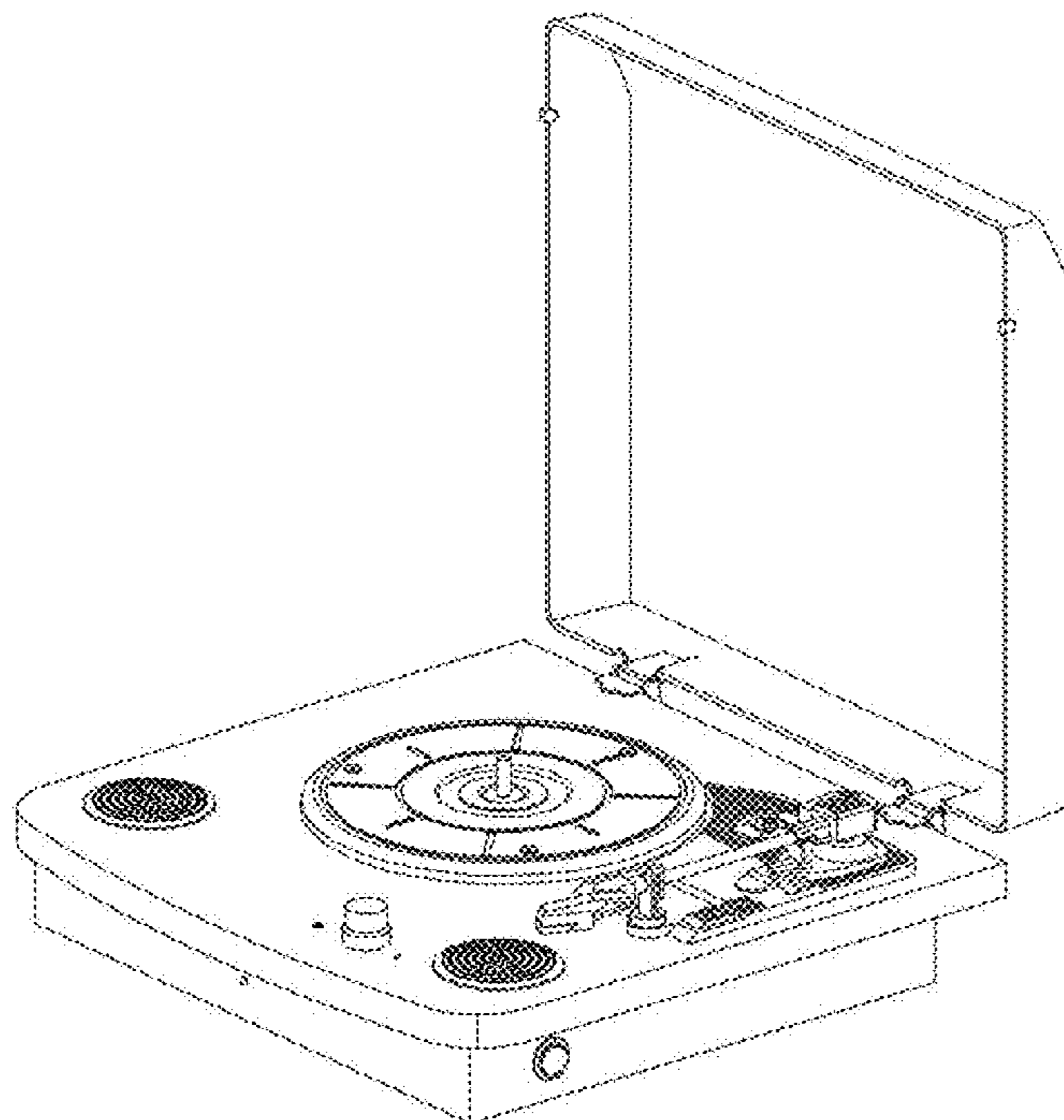
(57) **CLAIM**

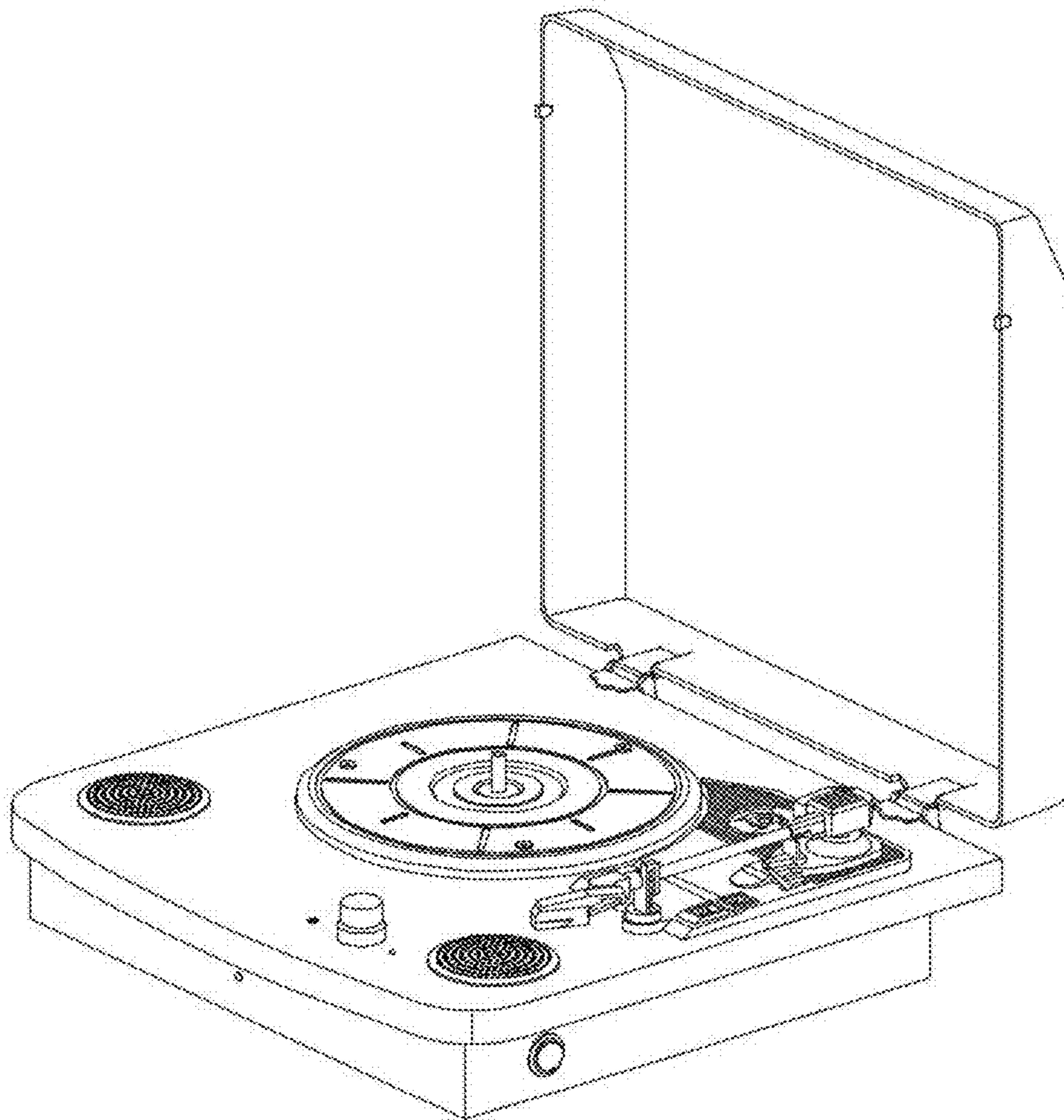
The ornamental design for a record player, as shown and described.

**DESCRIPTION**

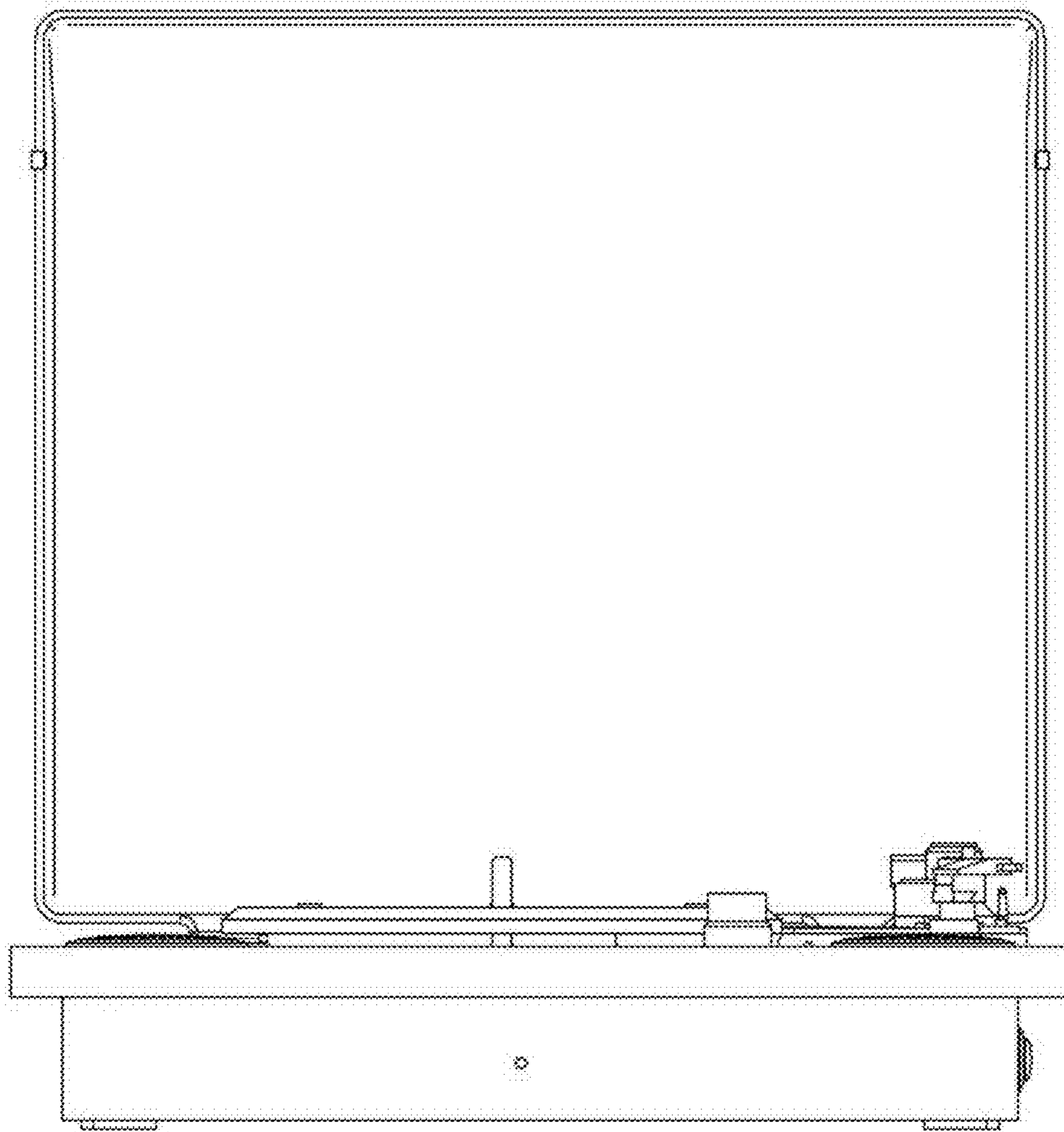
FIG. 1 is a perspective view of a record player showing my new design;  
FIG. 2 is a front side view thereof;  
FIG. 3 is a rear side view thereof;  
FIG. 4 is a right side view thereof;  
FIG. 5 is a left side view thereof;  
FIG. 6 is a bottom plan view thereof; and,  
FIG. 7 is a top plan view thereof.

**1 Claim, 7 Drawing Sheets**

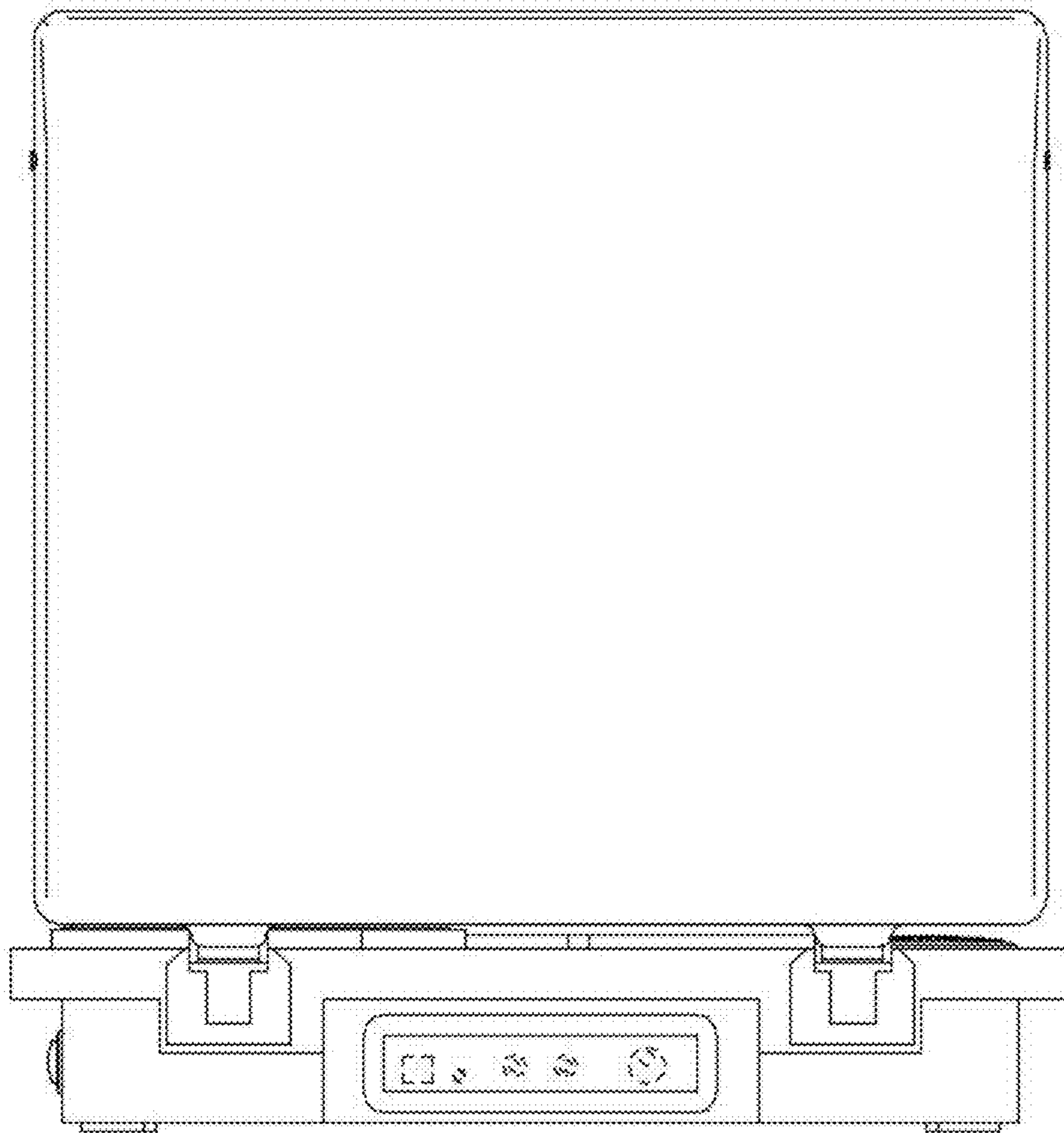




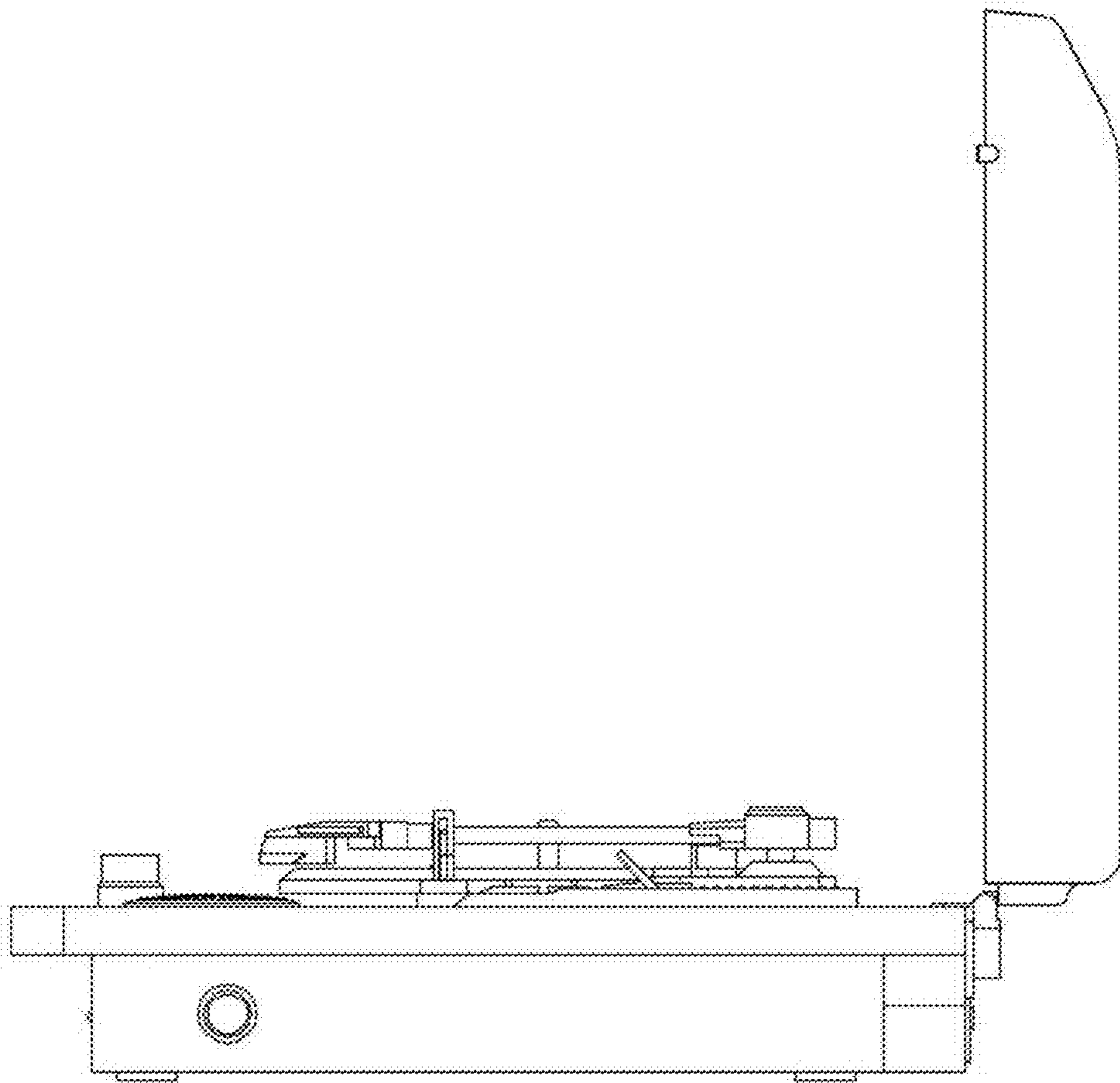
**FIG. 1**



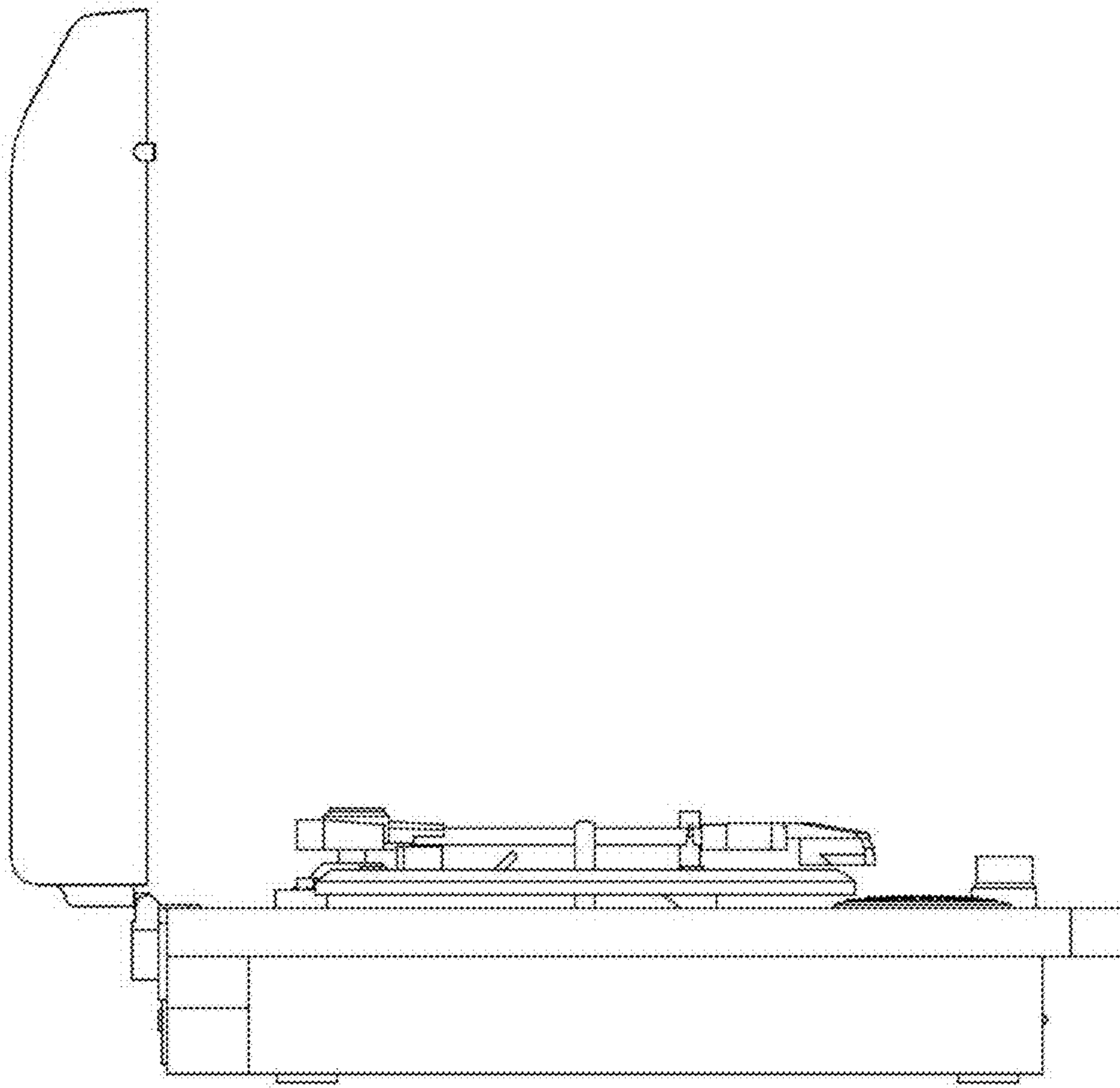
**FIG. 2**



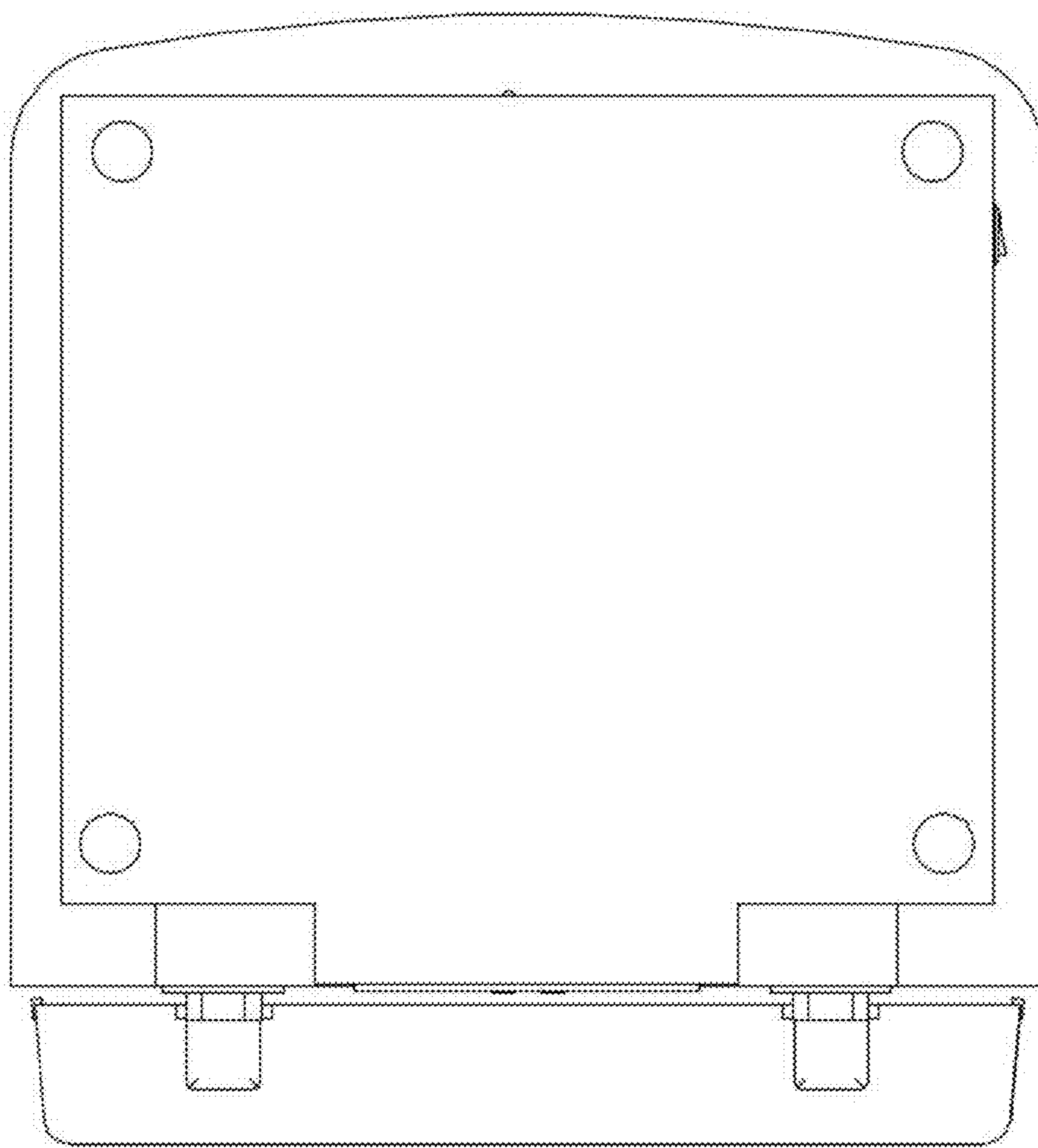
**FIG. 3**



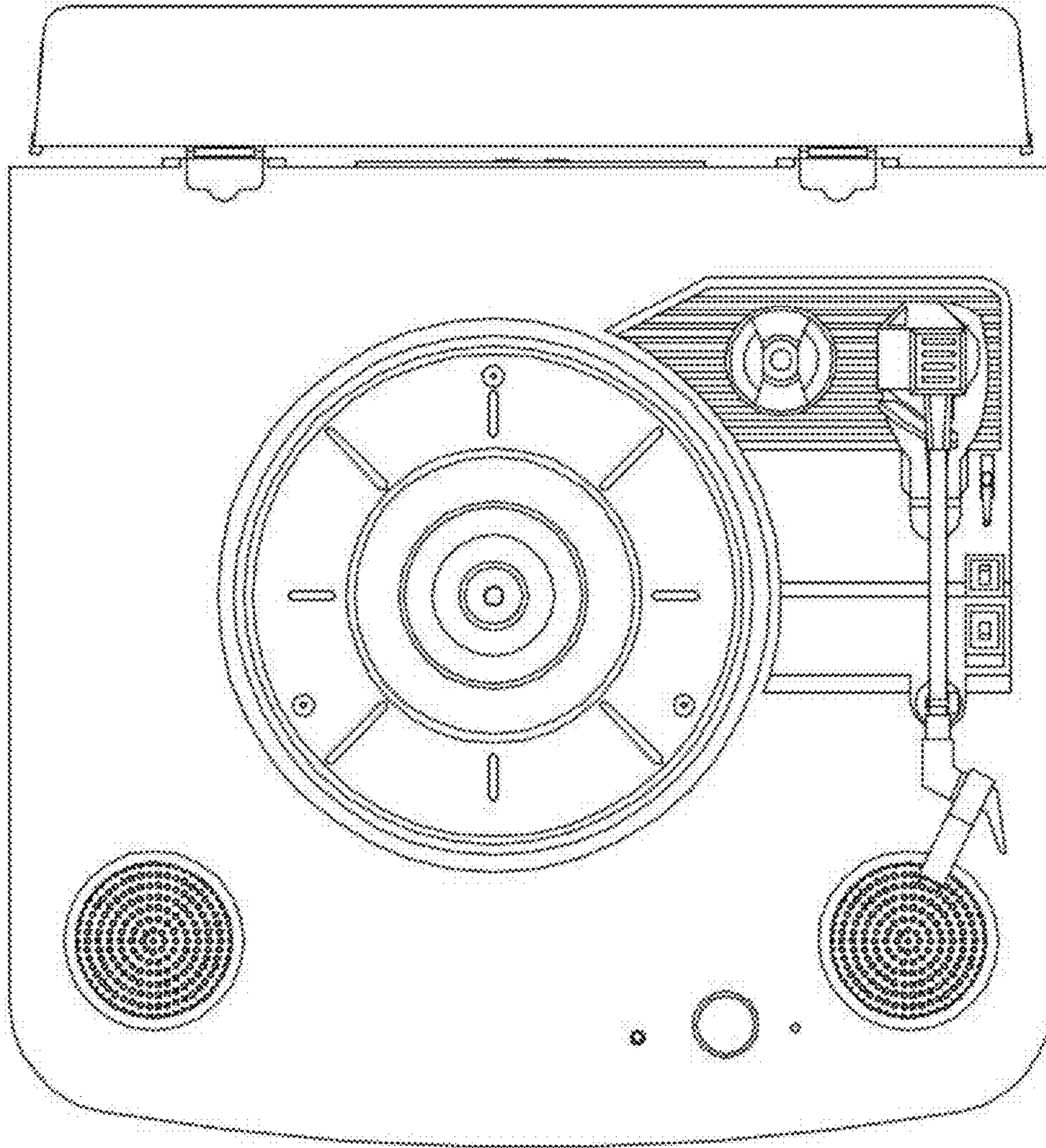
**FIG. 4**



**FIG. 5**



**FIG. 6**



**FIG. 7**