



US00D845267S

(12) **United States Design Patent**  
**Zeng**

(10) **Patent No.:** **US D845,267 S**

(45) **Date of Patent:** **\*\* Apr. 9, 2019**

(54) **PORTABLE FM RADIO AND WIRELESS SPEAKER**

H04R 9/025; H04R 2201/021; H04R 2400/00; H04R 2400/07; H04R 2499/11; H04R 2499/13; H04R 2499/15; H04S 3/00; H04S 7/30

(71) Applicant: **Shenzhen Airmart Technology Co., Ltd**, Shenzhen, Guangdong (CN)

See application file for complete search history.

(72) Inventor: **Dejun Zeng**, Guangdong (CN)

(56) **References Cited**

(73) Assignee: **Shenzhen Airmart Technology Co., Ltd**, Shenzhen (CN)

U.S. PATENT DOCUMENTS

(\*\*) Term: **15 Years**

D211,541 S *	6/1968	Sprick .....	D14/196
D540,300 S *	4/2007	Amid-Hozour .....	D14/188
D658,628 S *	5/2012	Hahner .....	D14/196
D756,966 S *	5/2016	Feng .....	D14/214
D816,058 S *	4/2018	Zeng .....	D14/155
D828,329 S *	9/2018	Zeng .....	D14/214

(21) Appl. No.: **29/648,949**

\* cited by examiner

(22) Filed: **May 24, 2018**

**Related U.S. Application Data**

*Primary Examiner* — Keli L Hill

(62) Division of application No. 29/602,087, filed on Apr. 28, 2017, now Pat. No. Des. 828,329.

(57) **CLAIM**

(51) **LOC (11) Cl.** ..... **14-03**

The ornamental design for a portable FM radio and wireless speaker, as shown and described.

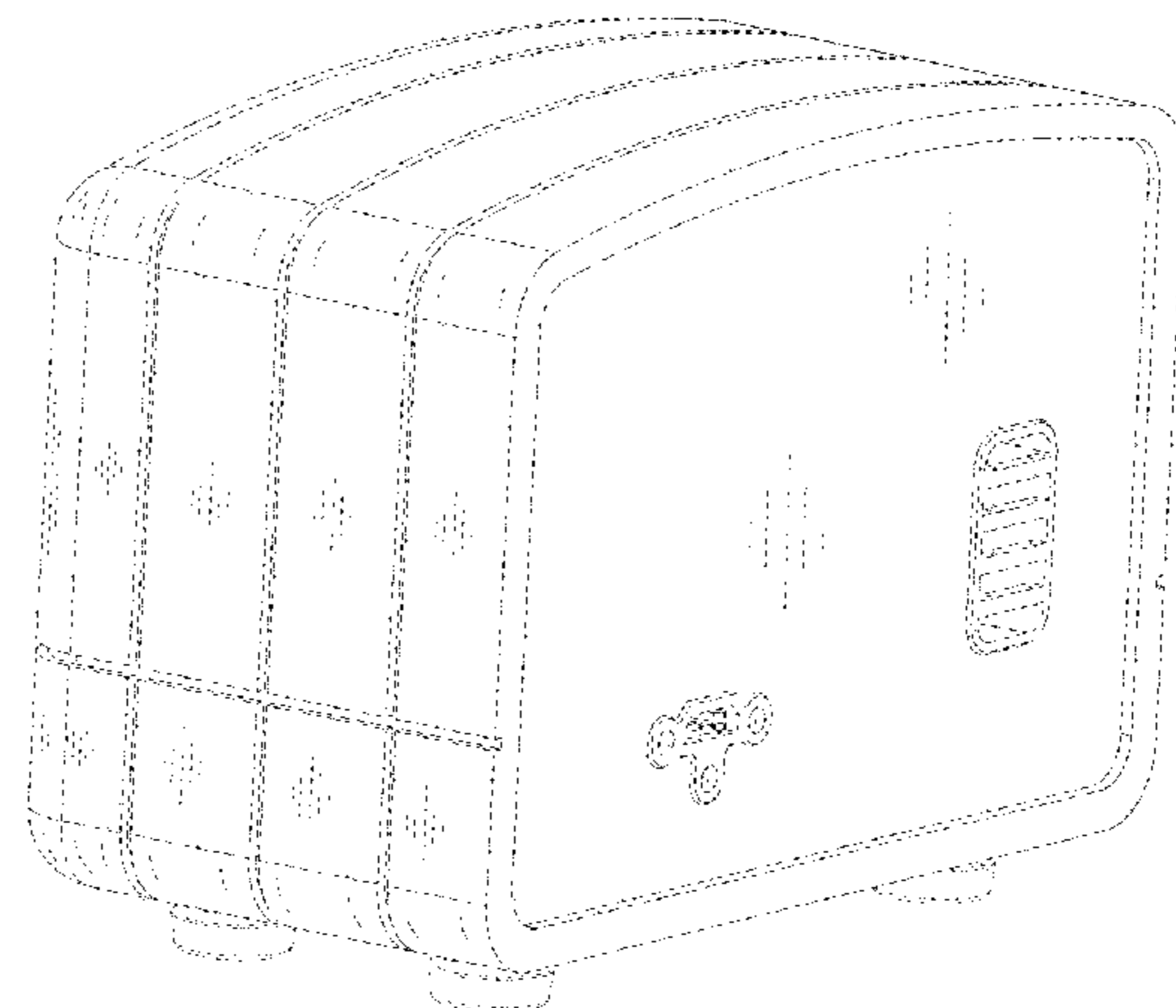
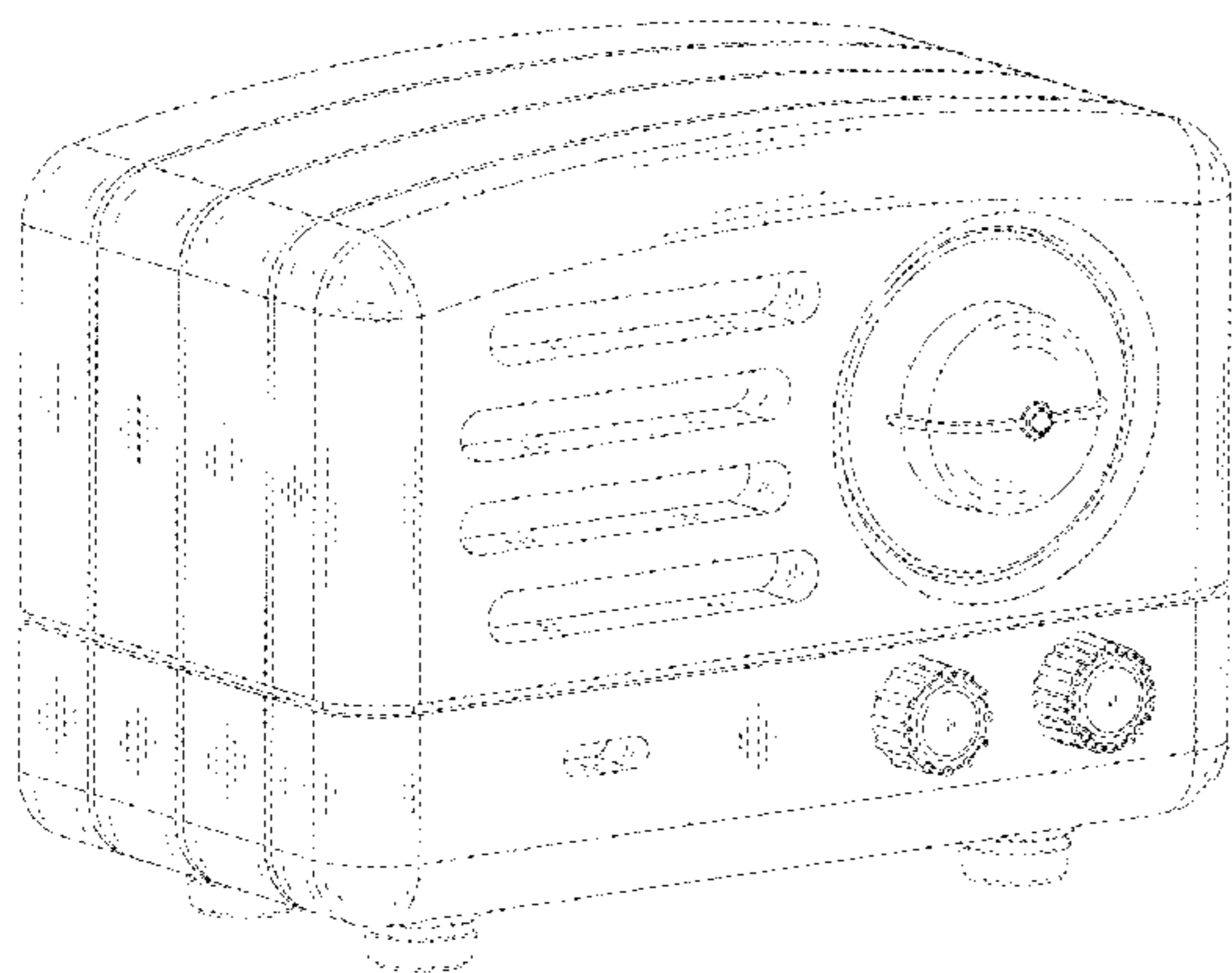
(52) **U.S. Cl.**  
USPC ..... **D14/194**

**DESCRIPTION**

(58) **Field of Classification Search**  
USPC ..... D14/167, 168, 170–172, 188, 194–196, D14/204, 209.1, 210–216, 219, 221, 222, D14/224, 239, 496  
CPC ..... B60R 11/0217; G06F 1/1688; G10K 9/22; G10K 11/004; H03F 1/327; H04M 1/03; H04M 1/035; H04N 5/642; H04N 21/4852; H04R 1/02; H04R 1/06; H04R 1/021; H04R 1/025; H04R 1/026; H04R 1/028; H04R 1/105; H04R 1/323; H04R 1/403; H04R 1/2803; H04R 1/2834; H04R 5/02; H04R 7/20; H04R 9/06;

FIG. 1 is a top, front and left side perspective view of a portable FM radio and wireless speaker showing my new design;  
FIG. 2 is a top, front and right side perspective view thereof;  
FIG. 3 is a top, rear and left side perspective view thereof;  
and,  
FIG. 4 is a top, rear and right side perspective view thereof.  
The broken lines in the drawings illustrate portions of the portable FM radio and wireless speaker which form no part of the claimed design.

**1 Claim, 4 Drawing Sheets**



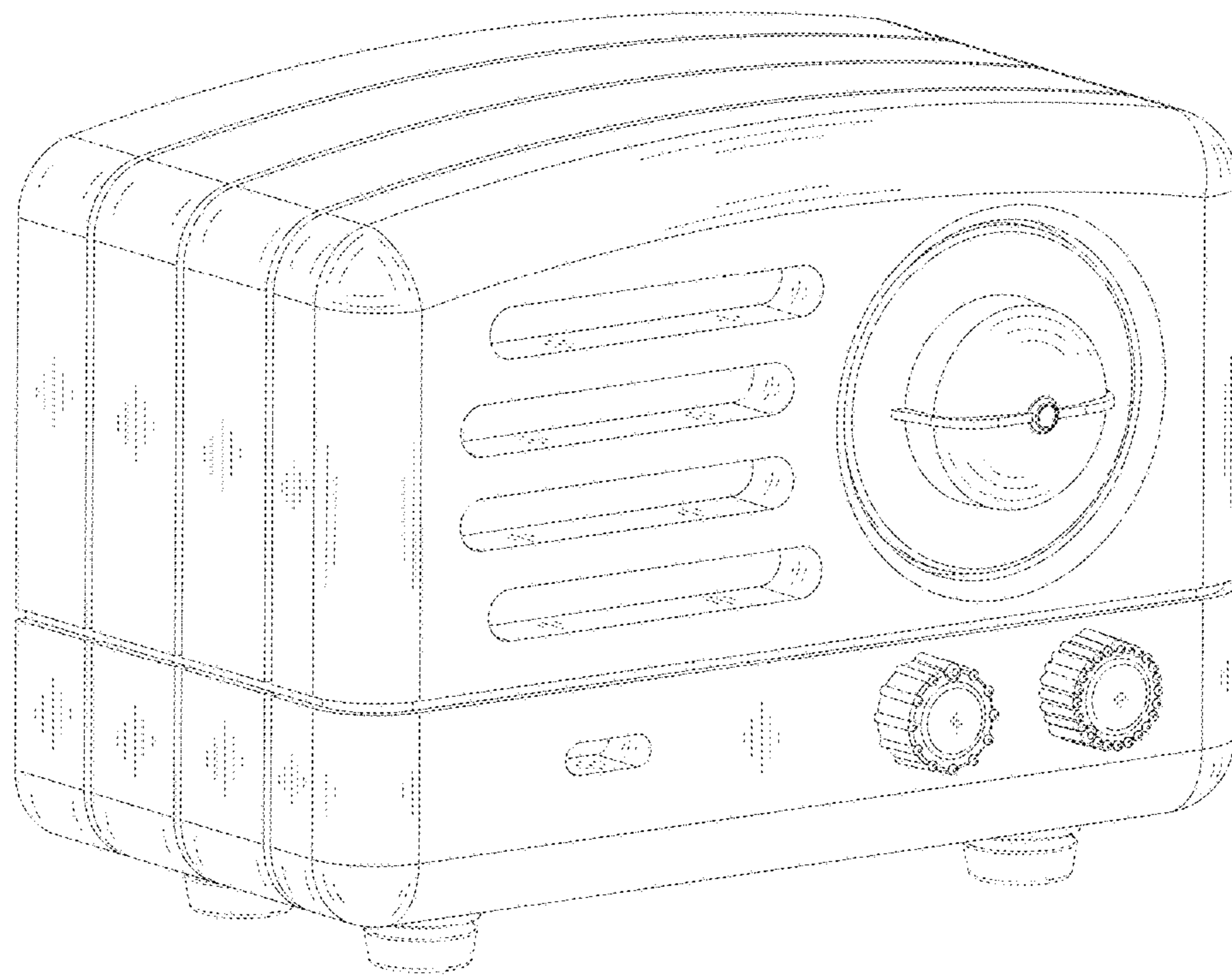


Fig.1

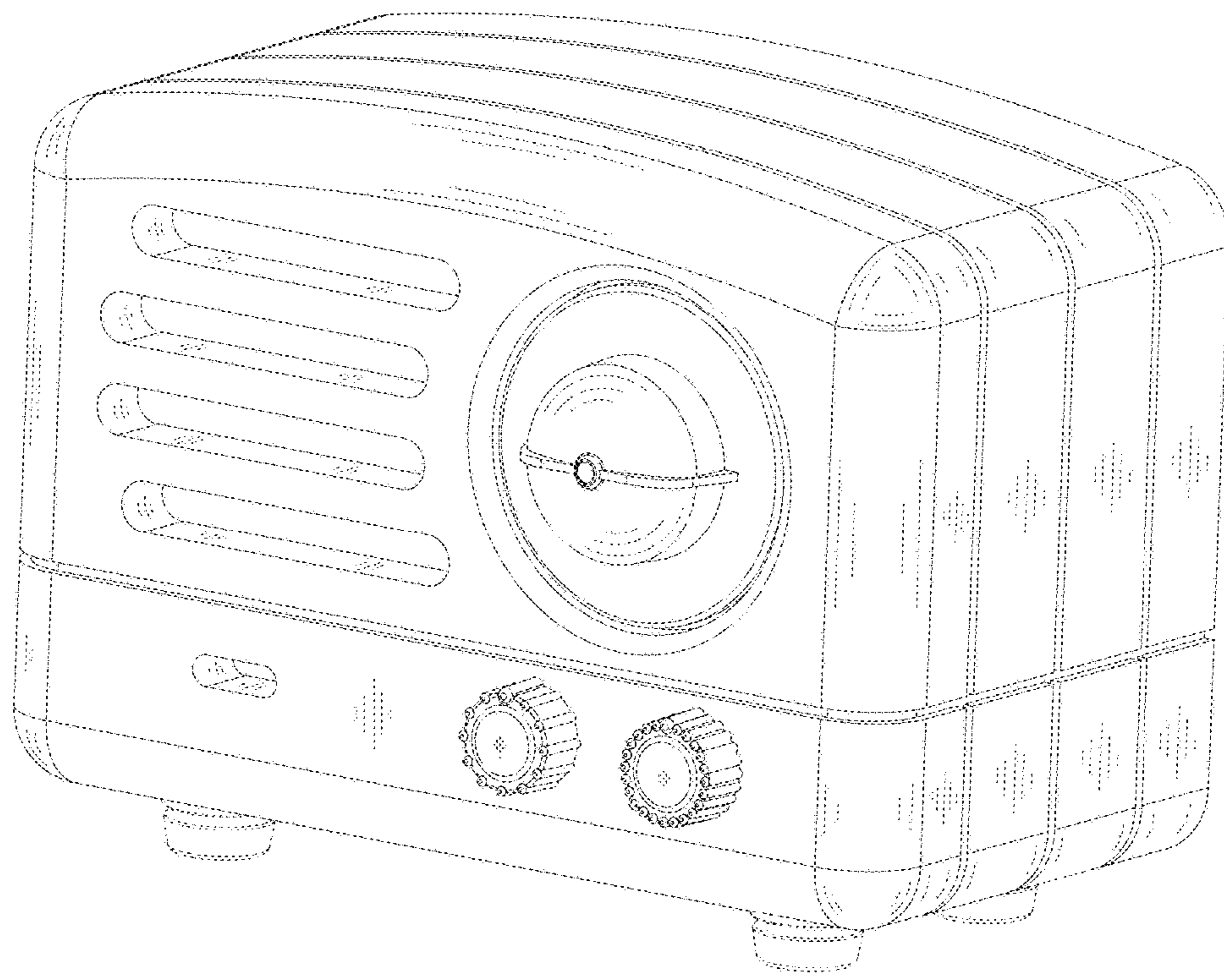


Fig.2

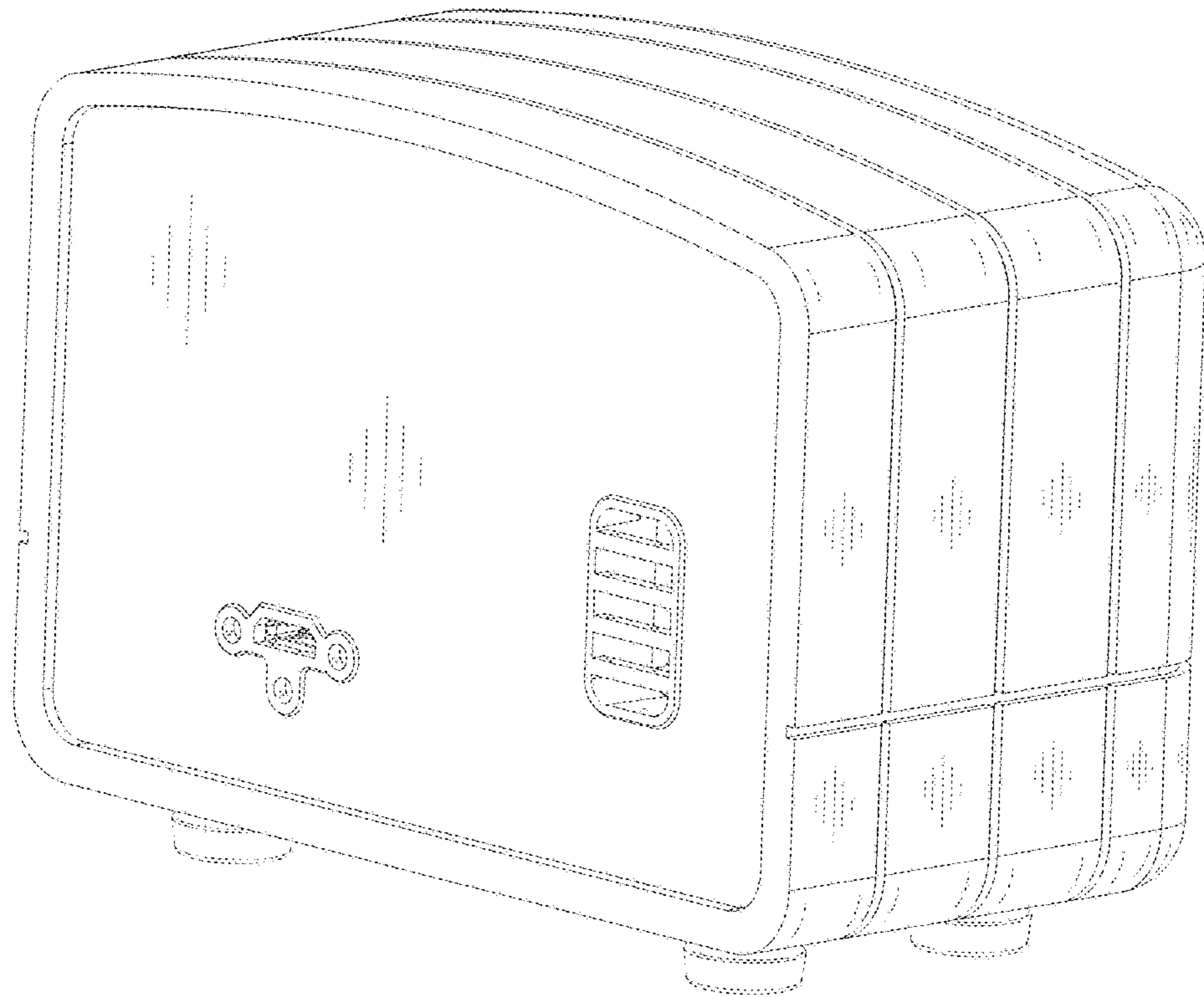


Fig.3

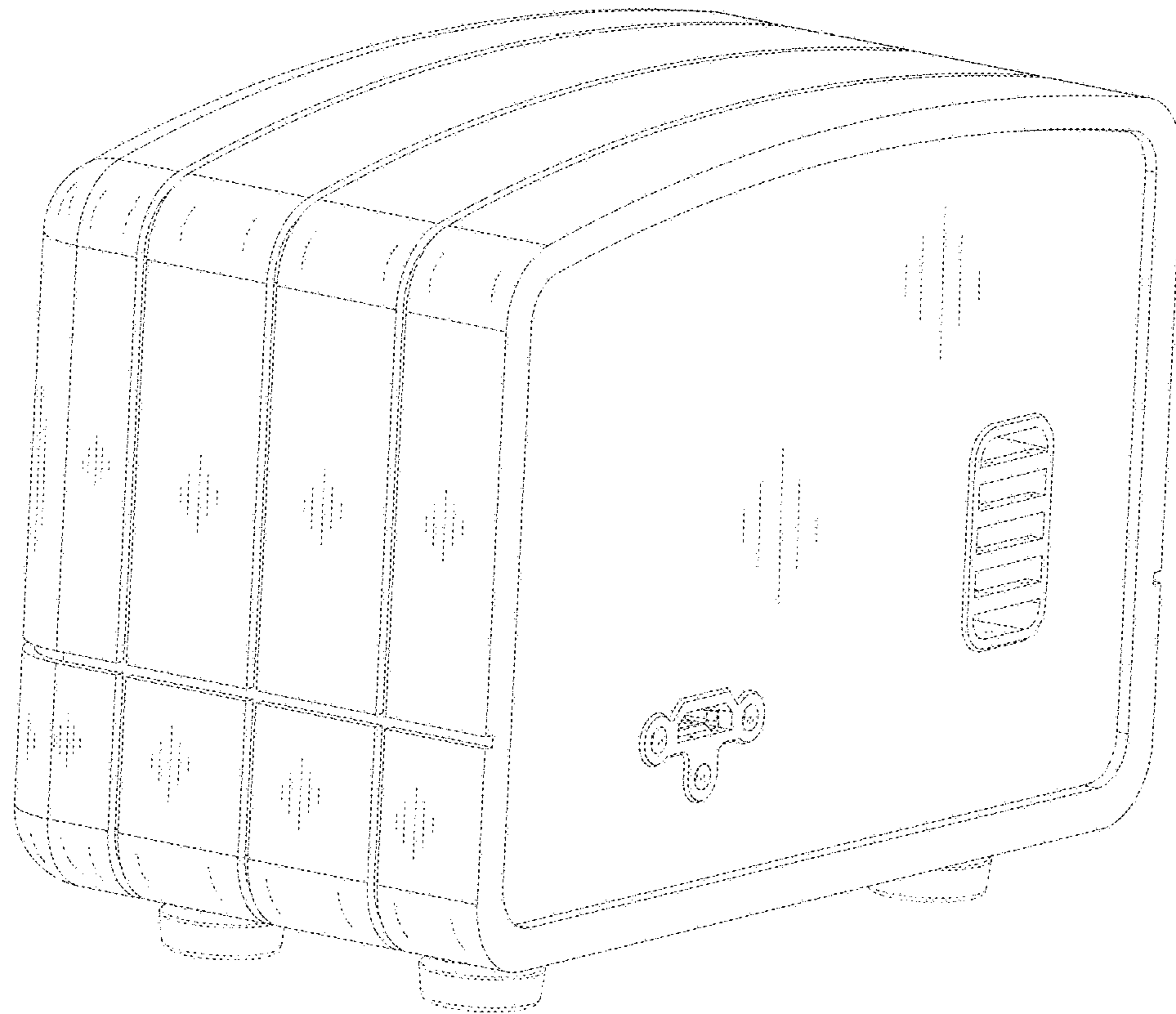


Fig.4