



US00D845266S

(12) **United States Design Patent**  
**Zhong**

(10) **Patent No.:** **US D845,266 S**  
(45) **Date of Patent:** **\*\* Apr. 9, 2019**

- (54) **AUDIO RECEIVER**
- (71) Applicant: **Zengbing Zhong**, Dongguan (CN)
- (72) Inventor: **Zengbing Zhong**, Dongguan (CN)
- (\*\*) Term: **15 Years**
- (21) Appl. No.: **29/612,392**
- (22) Filed: **Jul. 31, 2017**
- (51) **LOC (11) Cl.** ..... **14-03**
- (52) **U.S. Cl.**  
USPC ..... **D14/188; D14/217**
- (58) **Field of Classification Search**  
USPC ..... D14/240, 242, 358, 125, 129, 130, 140,  
D14/142, 155, 167, 168, 172, 188, 195,  
D14/203.1, 203.6, 204, 205, 216, 299,  
D14/496, 300, 302, 314, 348, 351, 356,  
D14/357, 191, 192, 203.3, 140.1, 140.2,  
D14/411, 431, 433, 217, 223; D13/103,  
D13/107, 108, 123, 152, 158, 162, 162.1,  
D13/163, 168, 184, 199; D10/104.1,  
D10/106.1, 106.6, 116.1, 61, 64, 75,  
D10/106.9, 46, 85, 68, 86; D26/37, 38;  
D19/115, 123, 128, 164, 195; D27/100,  
D27/101; D22/120  
CPC ... H04W 88/08; H04W 88/085; H04W 88/00;  
H04W 88/005; H04W 88/02; H04W  
88/12; H04W 88/14; H04W 88/16; H04W  
88/18; H04W 4/00; H01Q 1/02; H01Q  
1/2291; H01Q 1/246; H04B 1/38  
See application file for complete search history.

(56) **References Cited**

**U.S. PATENT DOCUMENTS**

- D84,943 S \* 8/1931 Larsen ..... D19/164
- D233,613 S \* 11/1974 Hand, III ..... D19/173
- D252,381 S \* 7/1979 Mosier ..... D10/83
- D253,595 S \* 12/1979 Vong ..... D14/168
- D259,053 S \* 4/1981 Leblond ..... D22/120

- D277,753 S \* 2/1985 Eckmann ..... D14/191
- D290,356 S \* 6/1987 Fisher ..... D14/191
- D291,886 S \* 9/1987 Scheid ..... D14/191
- D303,528 S \* 9/1989 Scheid ..... D14/191
- D304,064 S \* 10/1989 Yuen ..... D22/120
- D304,191 S \* 10/1989 Sekine ..... D14/192
- D320,600 S \* 10/1991 Yuen ..... D14/168
- D341,900 S \* 11/1993 Yuen ..... D14/168
- D347,319 S \* 5/1994 Friedman ..... D14/168
- D347,635 S \* 6/1994 van Wijnen ..... D14/140
- D352,285 S \* 11/1994 Khouri ..... D14/191
- D358,816 S \* 5/1995 Scheid ..... D14/191
- D371,214 S \* 6/1996 Terry, Sr. .... D26/49
- D384,071 S \* 9/1997 Guthan, Jr. .... D14/191
- D396,860 S \* 8/1998 Yasutomi ..... D10/119.2
- D404,528 S \* 1/1999 Wong ..... D19/123

(Continued)

**OTHER PUBLICATIONS**

Bluetooth Receiver. (Design—© Questel) orbit.com.[online PDF] 9 pgs. Print Dates range Sep. 7, 2017-Dec. 12, 2012 [Retrieved on Sep. 18, 2018] <https://sobjprd.questel.fr/export/QPTUJ214/pdf2/ed98da3b-6605-4cb2-a952-6ae3d7a9e69b-173515.pdf>.\*

*Primary Examiner* — Marie D. Fast Horse

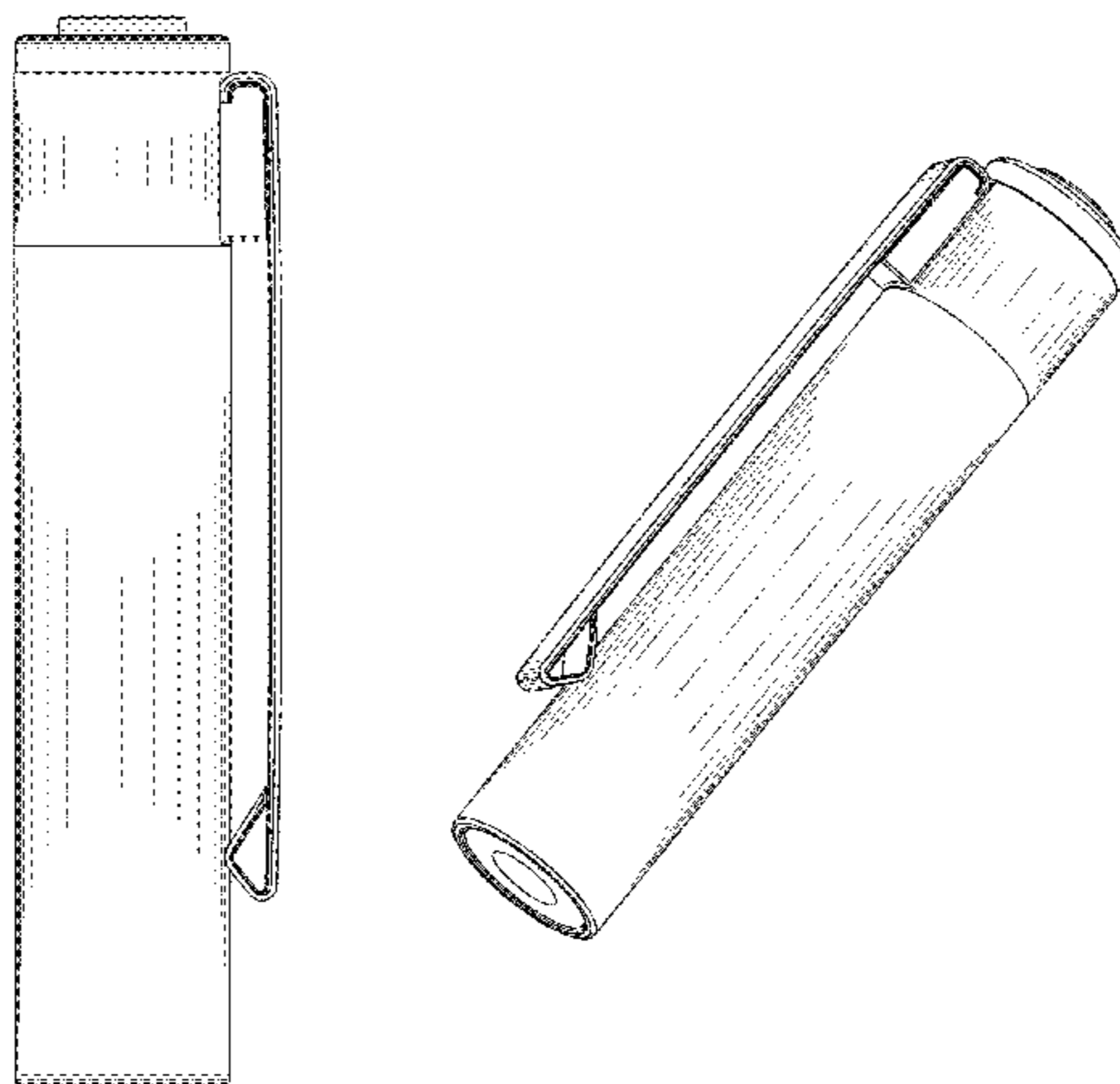
(57) **CLAIM**

The ornamental design for an audio receiver, as shown and described.

**DESCRIPTION**

FIG. 1 is a front elevational view of an audio receiver showing my new design;  
FIG. 2 is a rear elevational view thereof;  
FIG. 3 is a left side elevational view thereof;  
FIG. 4 is a right side elevational view thereof;  
FIG. 5 is a top plan view thereof;  
FIG. 6 is a bottom plan view thereof; and,  
FIG. 7 is a perspective view thereof.  
The broken lines in FIG. 5 depict portions of the audio receiver that form no part of the claim.

**1 Claim, 7 Drawing Sheets**



(56)

References Cited

U.S. PATENT DOCUMENTS

D409,656 S *	5/1999	Melnick .....	D19/164	D611,097 S *	3/2010	Liu .....	D19/169
D410,029 S *	5/1999	Melnick .....	D19/168	D617,796 S *	6/2010	Ando .....	D14/411
D424,567 S *	5/2000	Hakoda .....	D14/218	D630,614 S *	1/2011	Lee .....	D14/203.3
D442,932 S *	5/2001	Koike .....	D14/155	D630,615 S *	1/2011	Lee .....	D14/203.3
D448,407 S *	9/2001	Huang .....	D19/169	D633,496 S *	3/2011	Busri .....	D14/358
D500,799 S *	1/2005	Olson .....	D10/78	D655,292 S *	3/2012	Nakata .....	D14/411
D506,209 S *	6/2005	Leong .....	D14/191	D669,896 S *	10/2012	Nakata .....	D14/411
D531,334 S *	10/2006	Lin .....	D26/37	D669,897 S *	10/2012	Nakata .....	D14/411
D536,734 S *	2/2007	Bodino .....	D19/195	D676,170 S *	2/2013	Feng .....	D26/38
D537,181 S *	2/2007	Chen .....	D14/480.3	D682,276 S *	5/2013	Nakata .....	D14/411
D548,863 S *	8/2007	Shiu .....	D26/37	D694,215 S *	11/2013	Birger .....	D14/203.5
D565,657 S *	4/2008	Kitamura .....	D19/195	D708,616 S *	7/2014	Nakata .....	D14/411
D566,106 S *	4/2008	Kim .....	D14/223	D712,292 S *	9/2014	Yang .....	D10/106.1
D579,950 S *	11/2008	Shimizu .....	D14/496	D716,814 S *	11/2014	Nakata .....	D14/411
D587,754 S *	3/2009	Cetera .....	D19/195	D723,565 S *	3/2015	Kujawski .....	D14/411
D587,755 S *	3/2009	Cetera .....	D19/195	D733,685 S *	7/2015	Izen .....	D14/217
D589,501 S *	3/2009	Avicola .....	D14/240	D737,796 S *	9/2015	Liu .....	D14/205
D601,171 S *	9/2009	Shimizu .....	D14/496	D756,816 S *	5/2016	Langton .....	D10/65
D601,627 S *	10/2009	Liu .....	D19/169	D760,928 S *	7/2016	Bao .....	D26/24
D602,919 S *	10/2009	Bodley .....	D14/225	D772,204 S *	11/2016	Tsou .....	D14/223
D608,760 S *	1/2010	Xie .....	D14/188	D779,460 S *	2/2017	Turksu .....	D14/218
D611,095 S *	3/2010	Liu .....	D19/169	D795,256 S *	8/2017	Jentz .....	D14/388
				D799,084 S *	10/2017	Wu .....	D26/38
				D810,978 S *	2/2018	Windom .....	D26/38
				D814,466 S *	4/2018	Saari .....	D14/383

\* cited by examiner

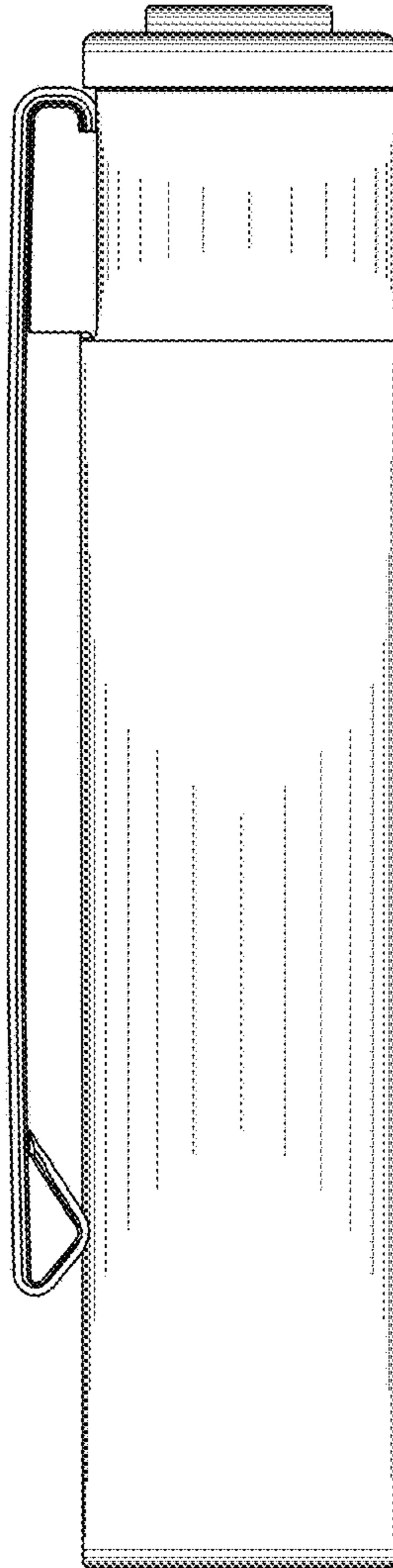


FIG.1

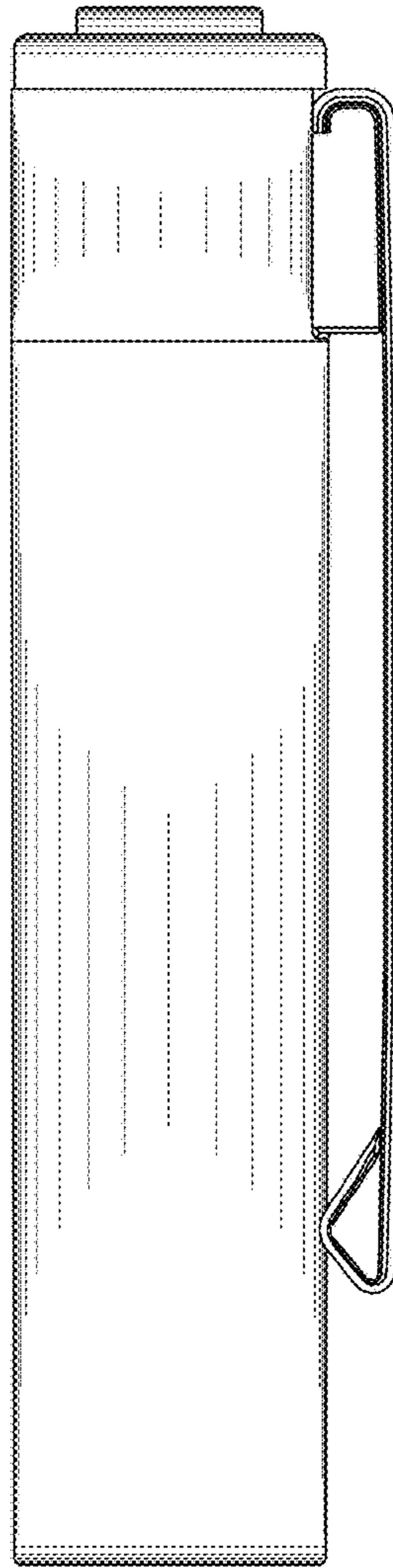


FIG.2

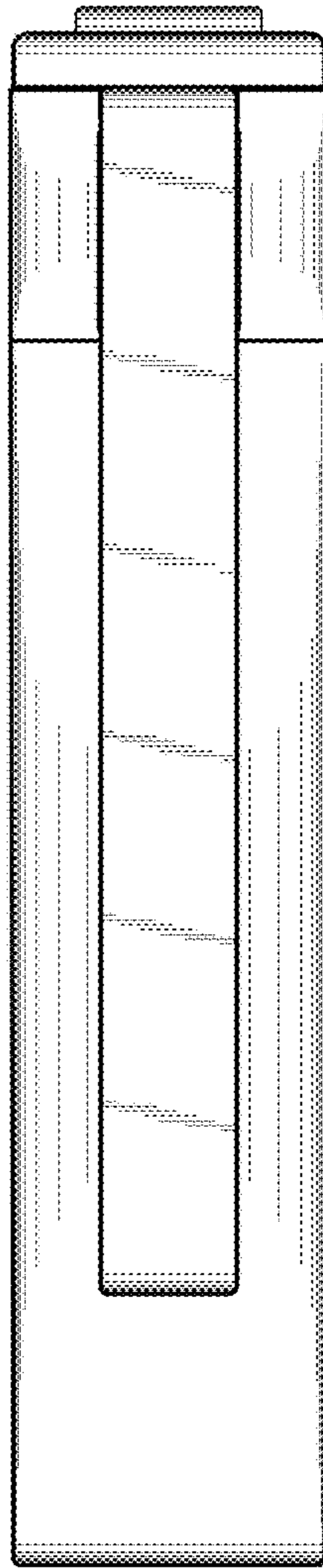


FIG.3

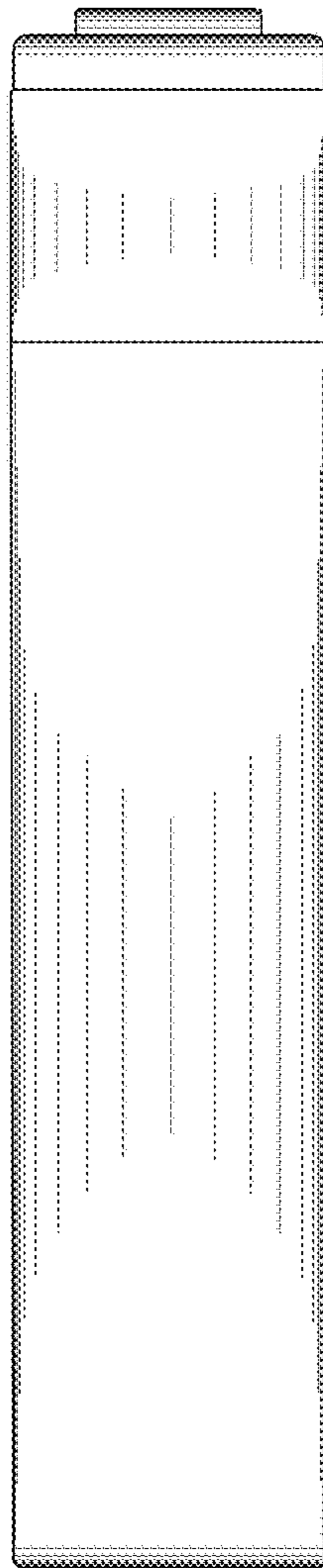


FIG.4

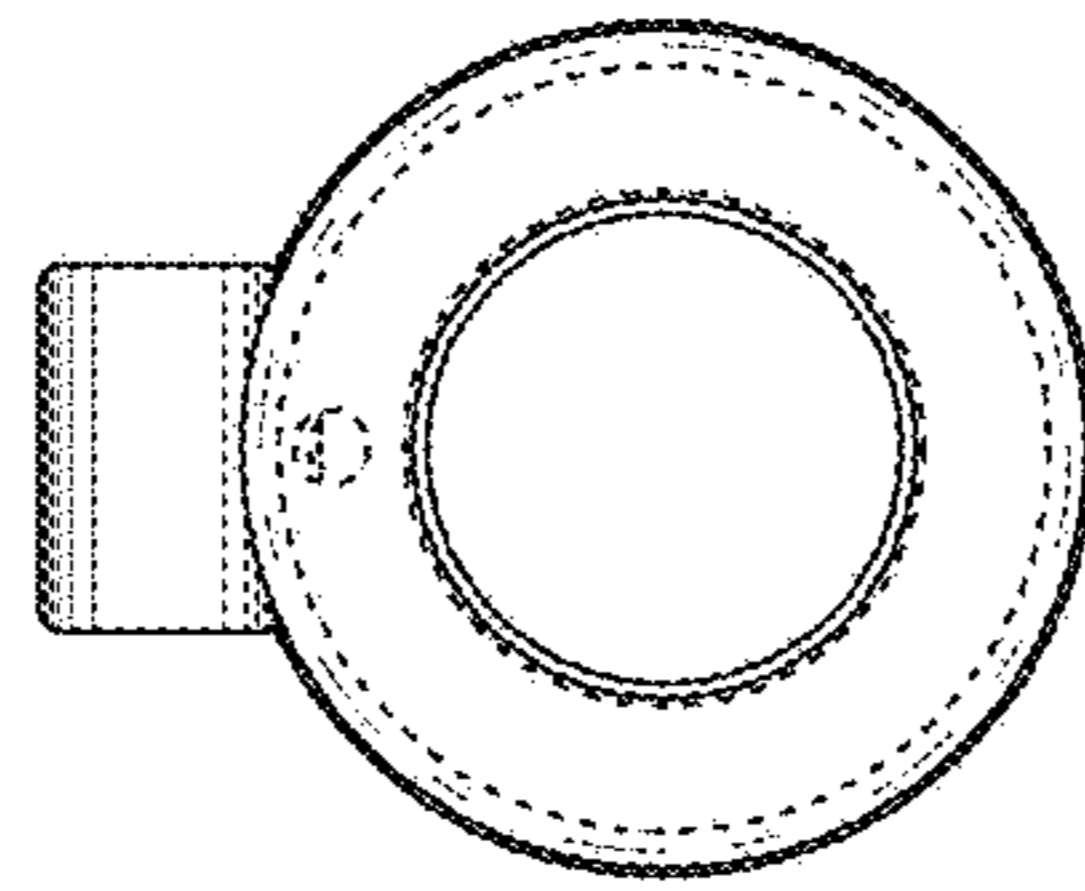


FIG.5

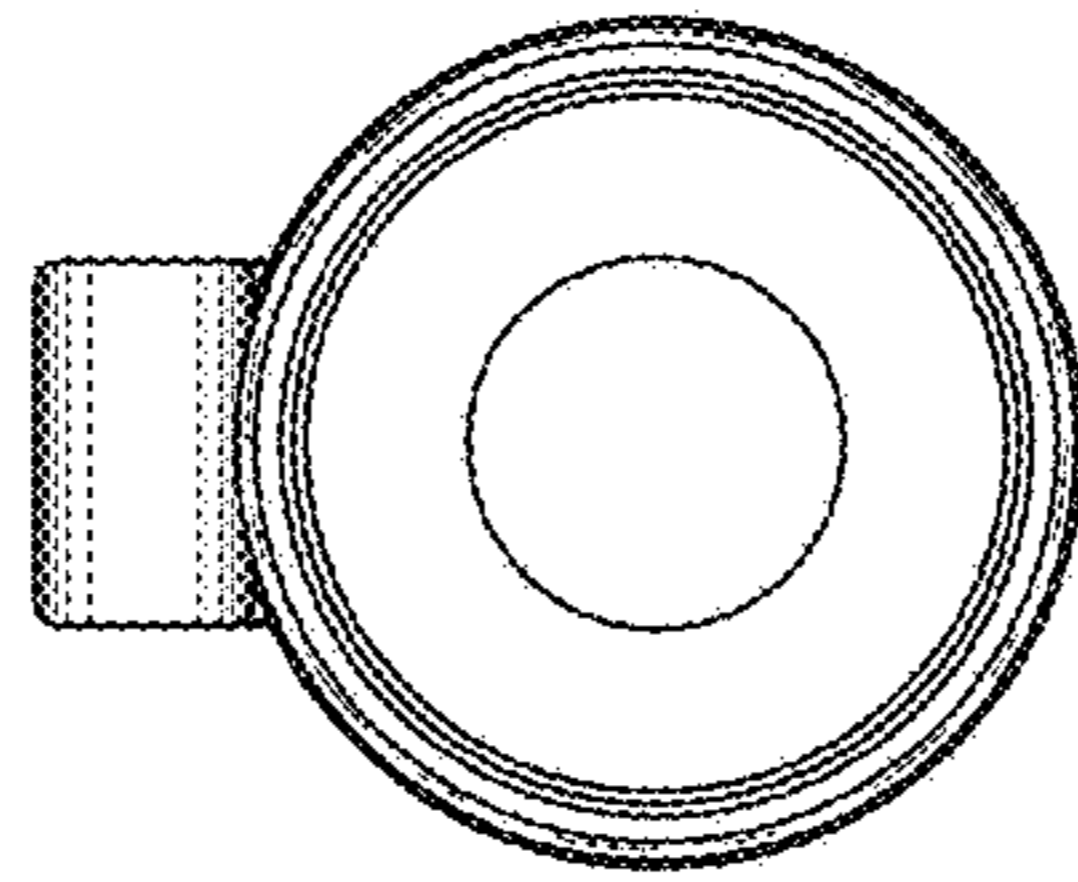


FIG.6



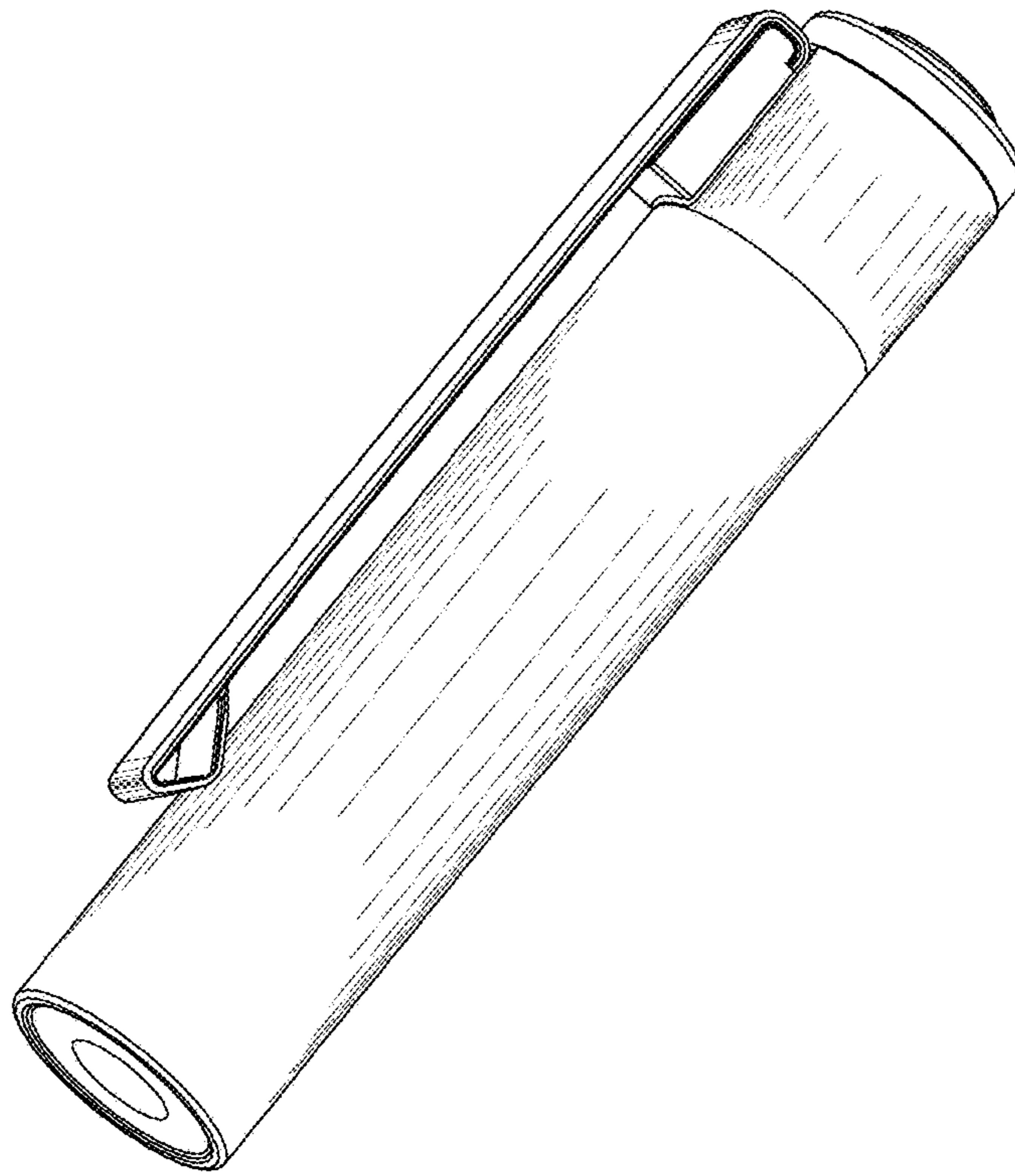


FIG.7