



US00D845264S

(12) **United States Design Patent**  
**Snyder et al.**

(10) **Patent No.:** **US D845,264 S**

(45) **Date of Patent:** **\*\* Apr. 9, 2019**

(54) **SPEAKER PHONE**

(71) Applicant: **Cisco Technology, Inc.**, San Jose, CA (US)

(72) Inventors: **Ian Matthew Snyder**, San Francisco, CA (US); **Matthew M. U. Cho**, Fremont, CA (US); **Morgan Davis Teachworth**, Campbell, CA (US)

(73) Assignee: **Cisco Technology, Inc.**, San Jose, CA (US)

(\*\*) Term: **15 Years**

(21) Appl. No.: **29/611,675**

(22) Filed: **Jul. 24, 2017**

(51) **LOC (11) Cl.** ..... **14-03**

(52) **U.S. Cl.**  
USPC ..... **D14/149; D14/216**

(58) **Field of Classification Search**  
USPC ..... D14/140, 140.1, 141.1, 142, 144, 147, D14/149, 150, 155, 168, 172, 204, 206, D14/209.1, 212, 213, 248, 249, 299, 496, D14/226, 356, 358, 432, 454, 192, 221, D14/127-130, 216; D10/104.1, 106.1, D10/106.3, 106.5

CPC ..... H04M 1/00; H04M 1/04; H04M 1/6033; H04M 1/60041; H04M 3/56; H04M 3/564; H04M 3/568; H04M 9/02; H04M 9/022; H04M 9/08; H04R 1/00; H04R 1/04; H04R 1/026; H04R 27/00; H04R 3/02; H04R 3/005

See application file for complete search history.

(56) **References Cited**

**U.S. PATENT DOCUMENTS**

D254,007 S \* 1/1980 Hampf ..... D14/247  
D361,998 S \* 9/1995 Murakami ..... D14/149

D454,110 S \* 3/2002 Andre ..... D13/110  
D484,114 S \* 12/2003 Gansterer ..... D14/215  
D511,510 S \* 11/2005 Beasley ..... D13/108  
D519,490 S \* 4/2006 Komiyama ..... D14/211  
D519,491 S \* 4/2006 Allen ..... D14/212  
D526,990 S \* 8/2006 Slevin ..... D14/149  
D537,806 S \* 3/2007 Beasley ..... D13/108  
D555,636 S \* 11/2007 Chen ..... D14/216  
D561,731 S \* 2/2008 Beasley ..... D14/149  
D577,002 S \* 9/2008 Kurihara ..... D14/170  
D594,002 S \* 6/2009 Kettula ..... D14/240  
D676,414 S \* 2/2013 Holzer ..... D14/172  
D695,268 S \* 12/2013 Holzer ..... D14/204  
D716,756 S \* 11/2014 Kim ..... D14/204  
D726,688 S \* 4/2015 Kim ..... D14/216  
D729,207 S \* 5/2015 Ko ..... D14/216  
D730,899 S \* 6/2015 Daniel ..... D14/385  
D731,467 S \* 6/2015 Brunner ..... D14/216

(Continued)

*Primary Examiner* — Marie D. Fast Horse

(74) *Attorney, Agent, or Firm* — Polsinelli PC

(57) **CLAIM**

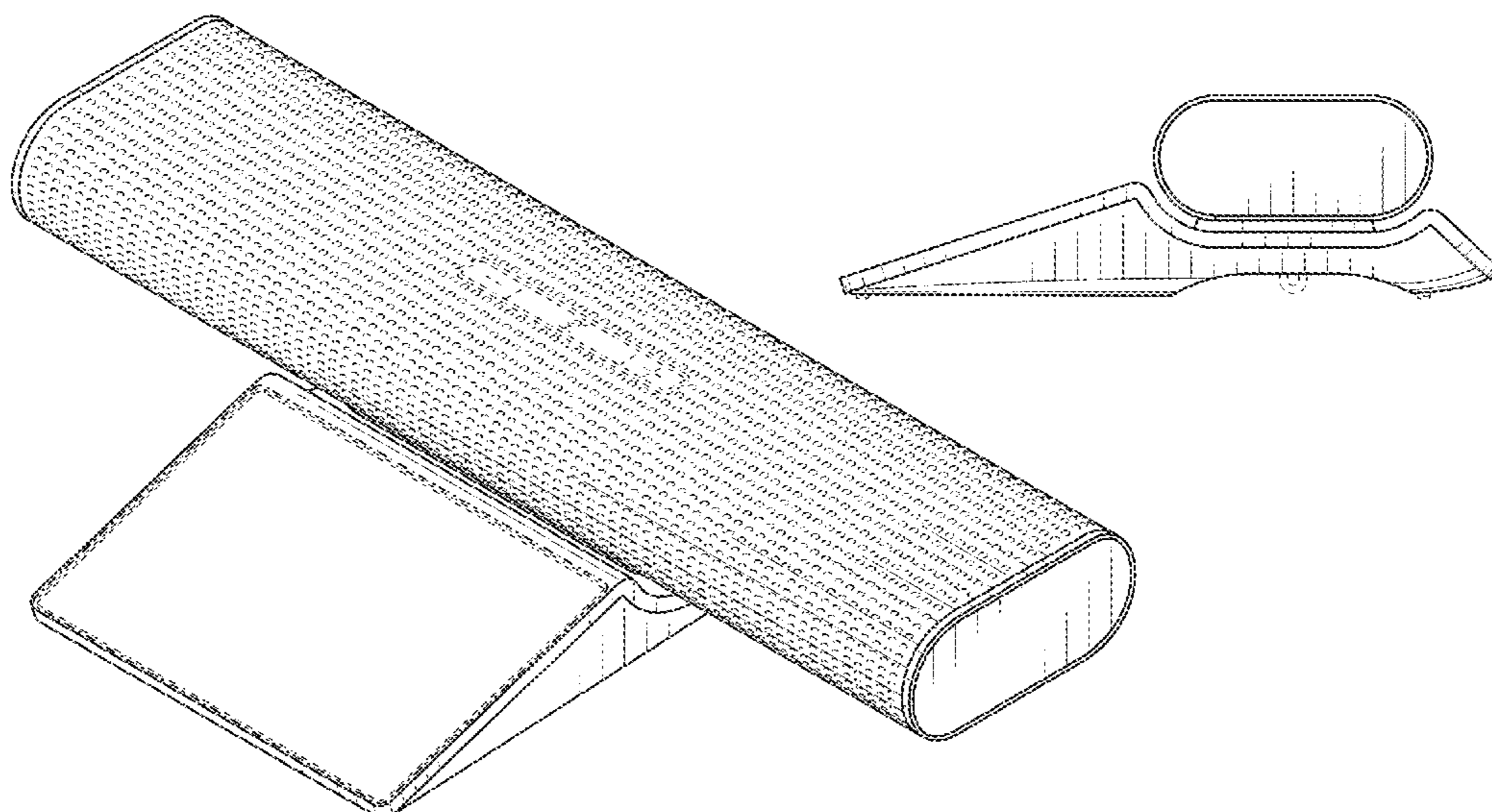
We claim the ornamental design for a speaker phone, as shown and described.

**DESCRIPTION**

FIG. 1 is a perspective view of a speaker phone, showing our new design;  
FIG. 2 is a front elevational view thereof;  
FIG. 3 is a rear elevational view thereof;  
FIG. 4 is a right side elevational view thereof;  
FIG. 5 is a left side elevational view thereof;  
FIG. 6 is a top plan view thereof; and,  
FIG. 7 is a bottom plan view thereof.

The dash-dot broken line in the drawings depicts the bounds of the claim which extends to dash-dot broken line but does not include the dash-dot broken line, while all other broken lines depict portions of the speaker phone that from no part of the claimed design. All broken line form no part of the claim.

**1 Claim, 3 Drawing Sheets**



(56)

**References Cited**

U.S. PATENT DOCUMENTS

D734,741 S *	7/2015	Brunner .....	D14/216
D740,778 S *	10/2015	Ookawa .....	D14/149
D749,545 S *	2/2016	Li .....	D14/216
D749,546 S *	2/2016	Brunner .....	D14/216
D750,596 S *	3/2016	Li .....	D14/216
D788,060 S *	5/2017	Kwak .....	D14/142
D800,694 S *	10/2017	Sugiura .....	D14/214
D801,310 S *	10/2017	Kachwalla .....	D14/216
D809,480 S *	2/2018	Schaal .....	D14/214
D818,453 S *	5/2018	Stern .....	D14/204
D819,592 S *	6/2018	Folkmann .....	D14/149
D819,601 S *	6/2018	Won .....	D14/216
D823,844 S *	7/2018	Ramones .....	D14/240
2015/0245155 A1 *	8/2015	Root .....	H04R 29/004 381/66

\* cited by examiner

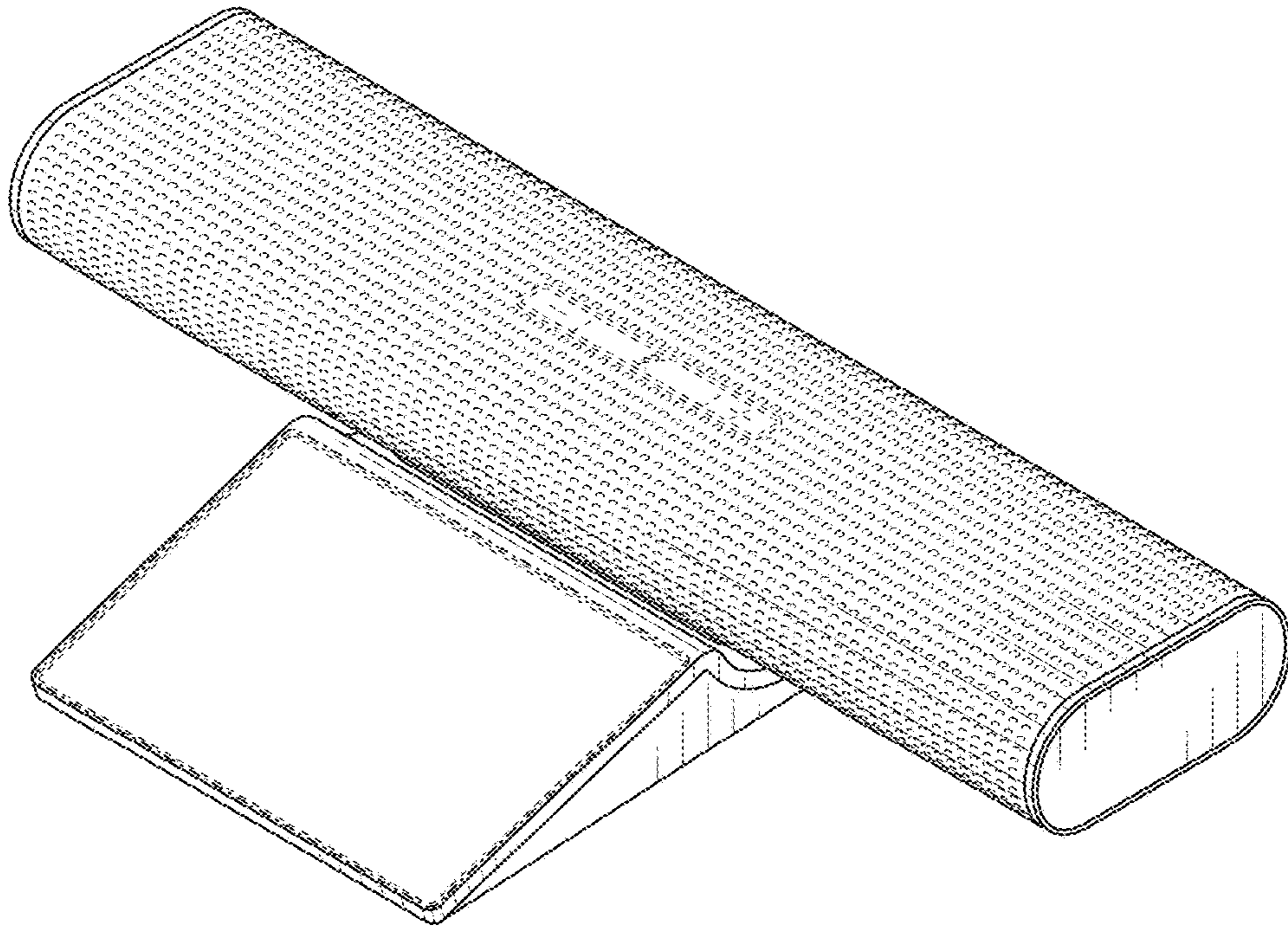


FIG. 1

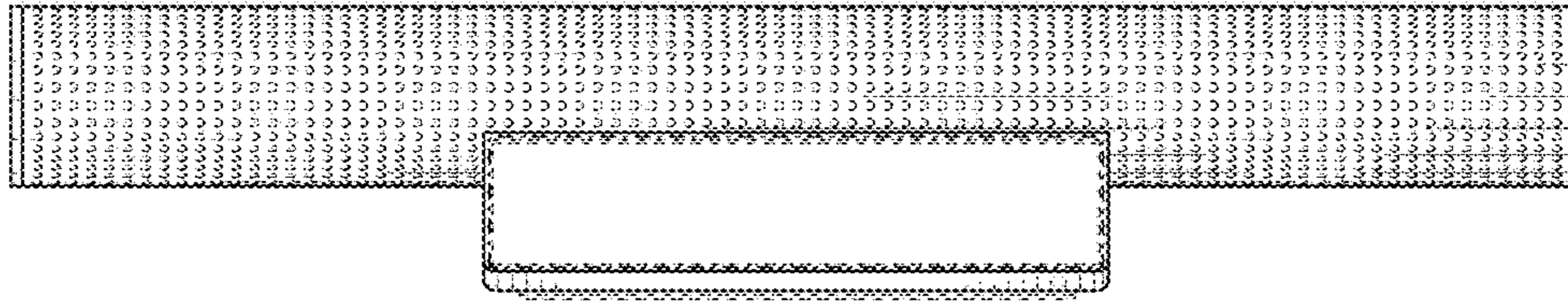


FIG. 2

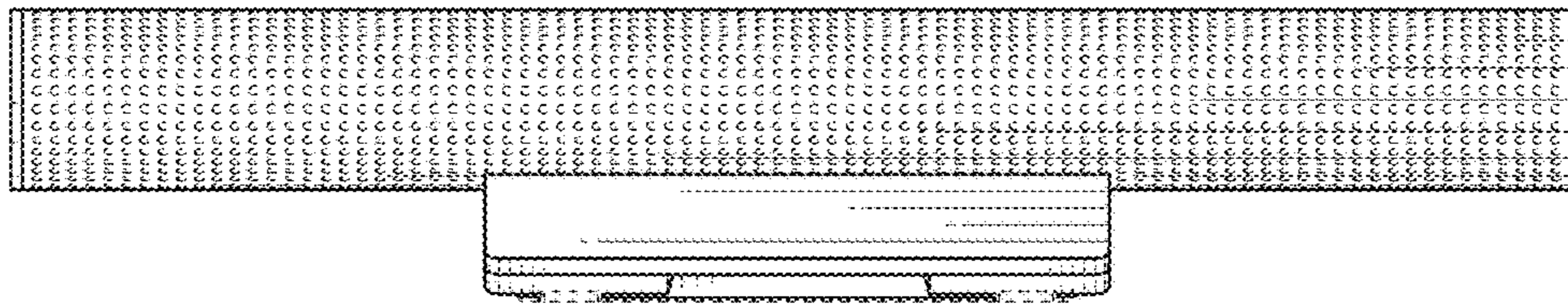


FIG. 3

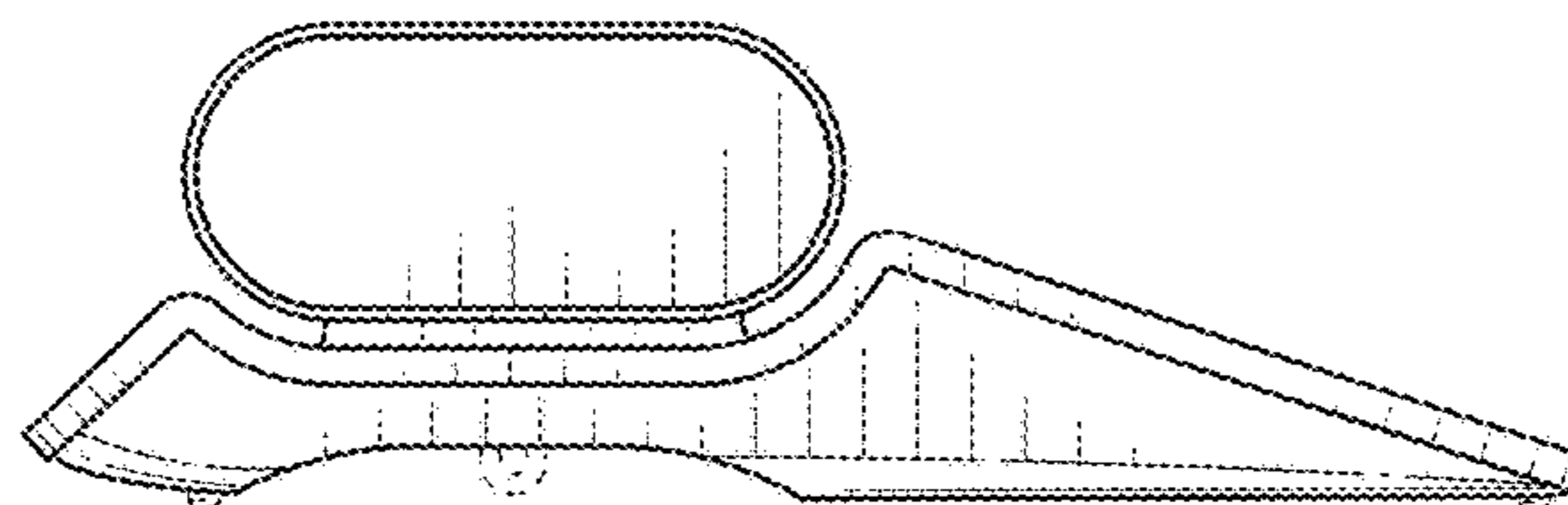


FIG. 4

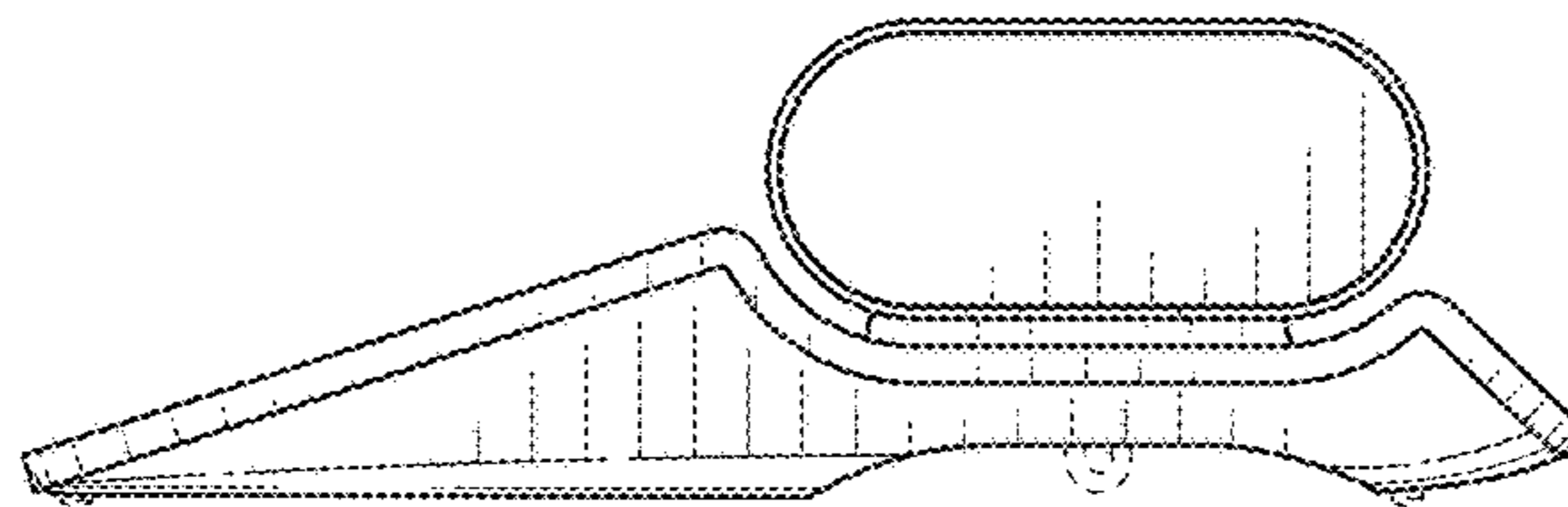


FIG. 5

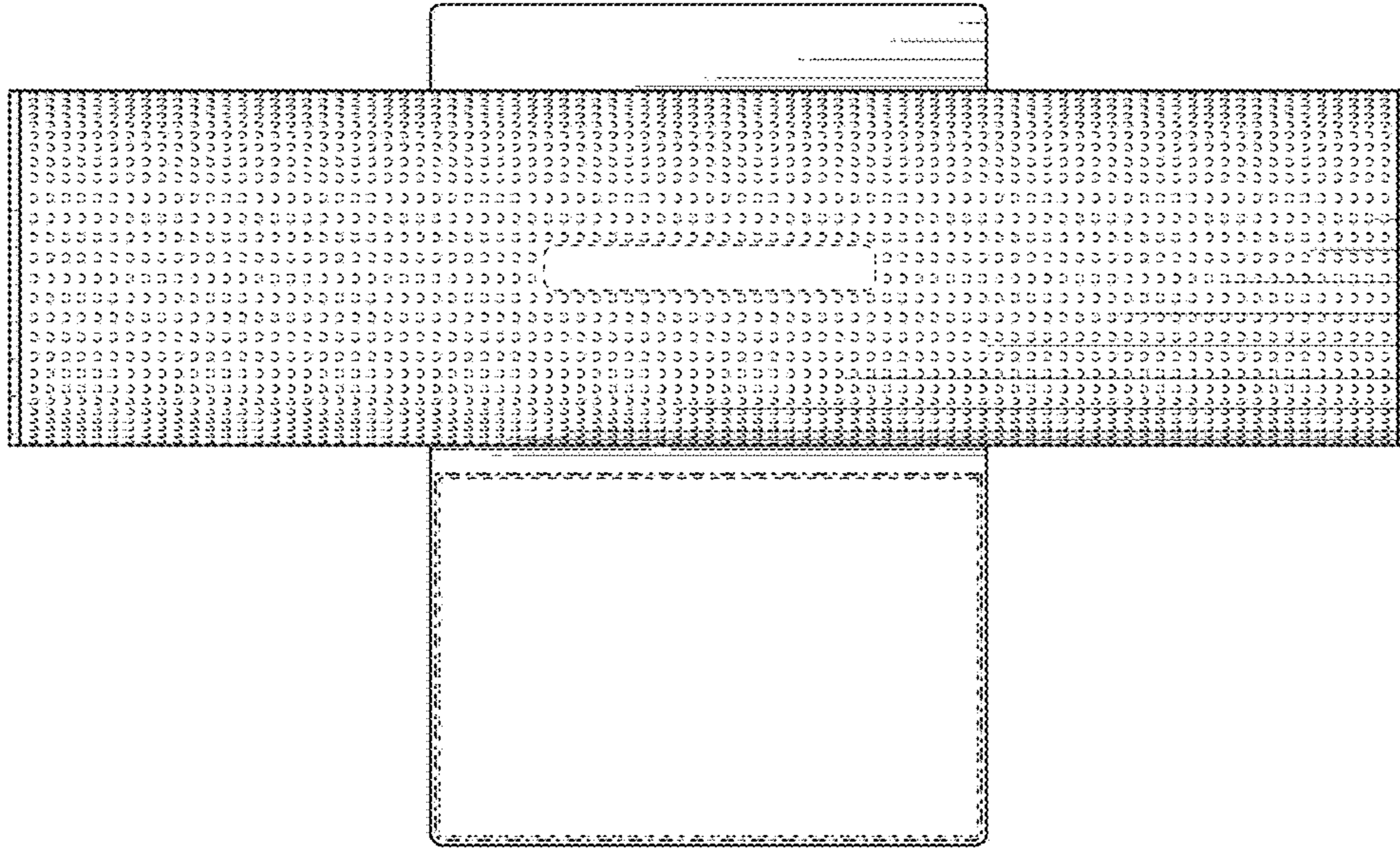


FIG. 6

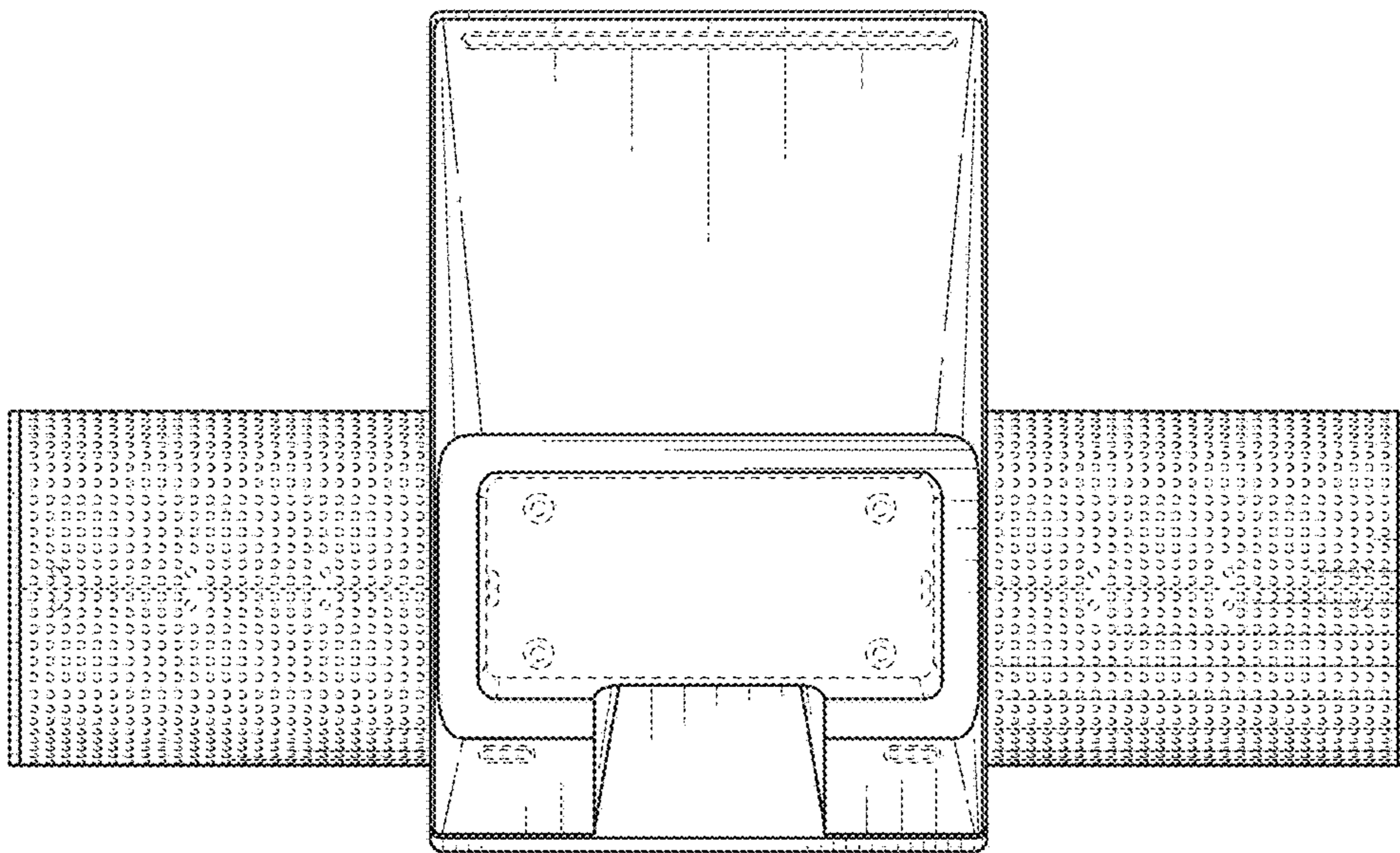


FIG. 7