



US00D845262S

(12) **United States Design Patent**
Shin et al.

(10) **Patent No.:** **US D845,262 S**

(45) **Date of Patent:** **** Apr. 9, 2019**

(54) **TELEVISION APPARATUS**

(71) Applicant: **LG ELECTRONICS INC.**, Seoul (KR)

(72) Inventors: **Jongyoun Shin**, Seoul (KR);
Hyoungwon Kim, Seoul (KR);
Younsoo Kim, Seoul (KR); **Byungmu Huh**, Seoul (KR)

(73) Assignee: **LG Electronics Inc.**, Seoul (KR)

(**) Term: **15 Years**

(21) Appl. No.: **35/504,108**

(22) Filed: **Jun. 7, 2017**

(80) **Hague Agreement Data**

Int. Filing Date: **Jun. 7, 2017**

Int. Reg. No.: **DM/096451**

Int. Reg. Date: **Jun. 7, 2017**

Int. Reg. Pub. Date: **Dec. 8, 2017**

(30) **Foreign Application Priority Data**

Dec. 9, 2016 (KR) 30-2016-0059903

(51) **LOC (11) Cl.** **14-03**

(52) **U.S. Cl.**
USPC **D14/126**

(58) **Field of Classification Search**
USPC D14/125, 126, 127-137, 239, 314-316,
D14/322, 326, 334-336, 339, 340, 341,
D14/371, 373-374, 448, 450, 138 G, 248;
D6/300, 310, 314, 320, 332, 553;
D21/329, 332, 515, 324
CPC G06F 1/16; G06F 1/1601; G06F 1/1637;
H04N 5/64; H05K 5/0204; H05K 5/0017;
H05K 5/0217

See application file for complete search history.

(56) **References Cited**

U.S. PATENT DOCUMENTS

D617,290	S	*	6/2010	Lewis	D14/126
D656,912	S	*	4/2012	Lee	D14/126
D695,700	S	*	12/2013	Seong	D14/126
D735,153	S	*	7/2015	Snyder	D14/126
D737,231	S	*	8/2015	Choi	D14/126
D738,338	S	*	9/2015	Lee	D14/126
D741,277	S	*	10/2015	Shin	D14/126
D744,441	S	*	12/2015	Shin	D14/126
D744,462	S	*	12/2015	Shin	D14/239
D755,143	S	*	5/2016	Moon	D14/126
D756,945	S	*	5/2016	Kim	D14/126
D772,829	S	*	11/2016	Han	D14/126
D773,421	S	*	12/2016	Han	D14/126
D773,422	S	*	12/2016	Han	D14/126

(Continued)

FOREIGN PATENT DOCUMENTS

JP	1601160	*	4/2018
JP	1612388	*	8/2018

Primary Examiner — Barbara Fox

Assistant Examiner — Dana K Weiland

(74) *Attorney, Agent, or Firm* — Birch, Stewart, Kolasch & Birch, LLP

(57) **CLAIM**

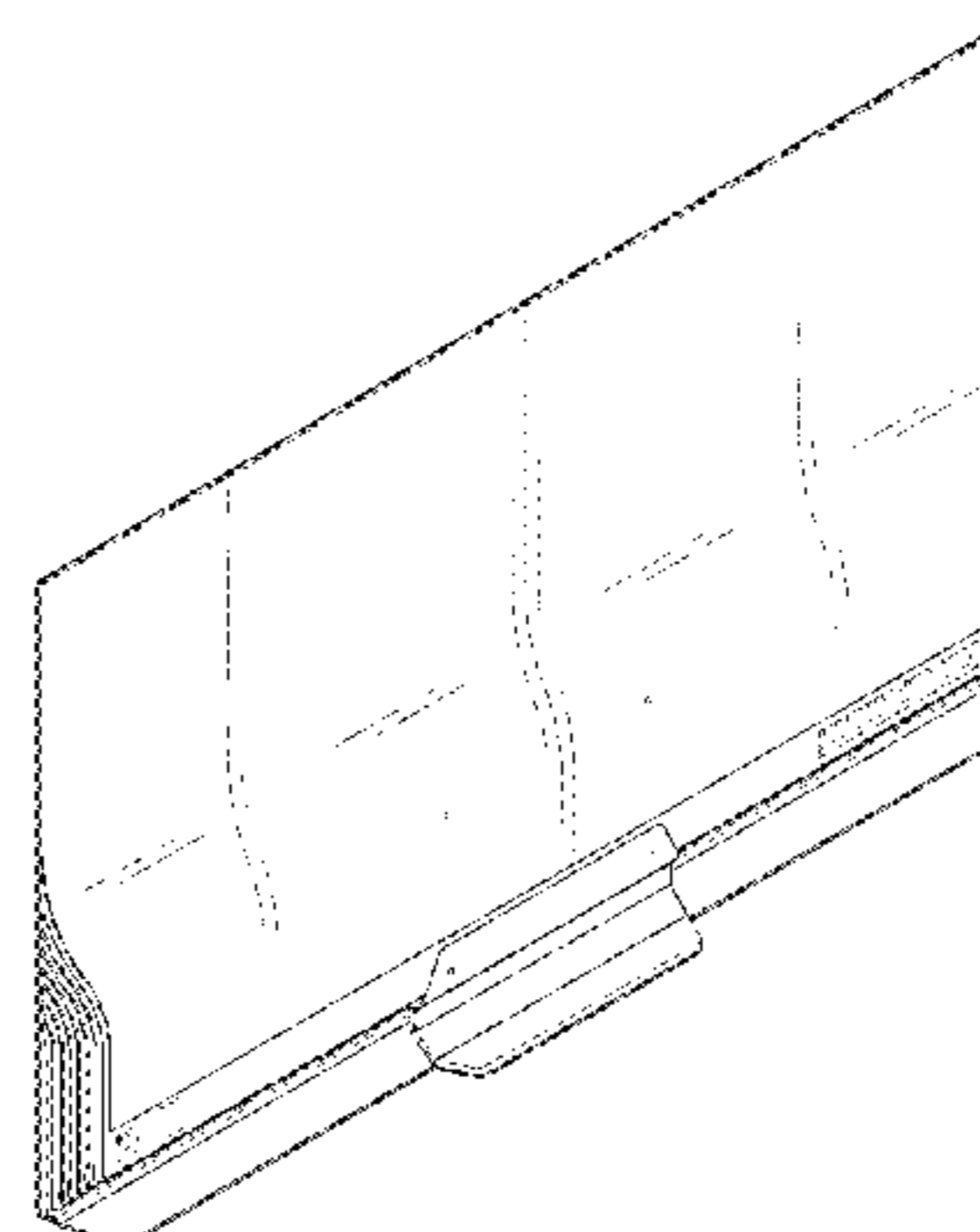
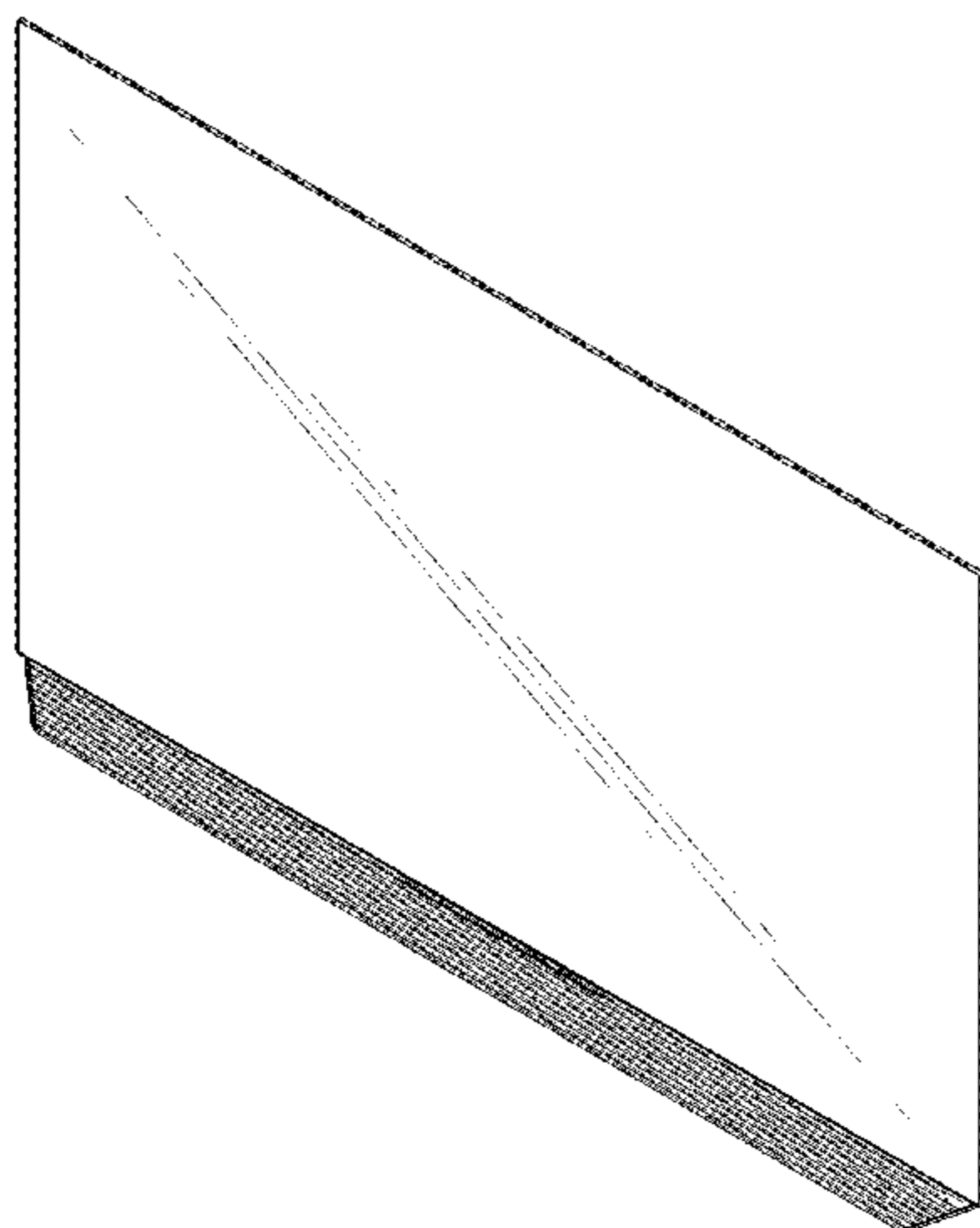
The ornamental design for a television, as shown and described.

DESCRIPTION

- 1. Television
- 1.1 : Perspective
- 1.2 : Rear perspective view
- 1.3 : Front
- 1.4 : Back
- 1.5 : Left
- 1.6 : Right
- 1.7 : Top
- 1.8 : Bottom

The broken lines shown in the drawings depict portions of the television that form no part of the claimed design.

1 Claim, 8 Drawing Sheets



(56)

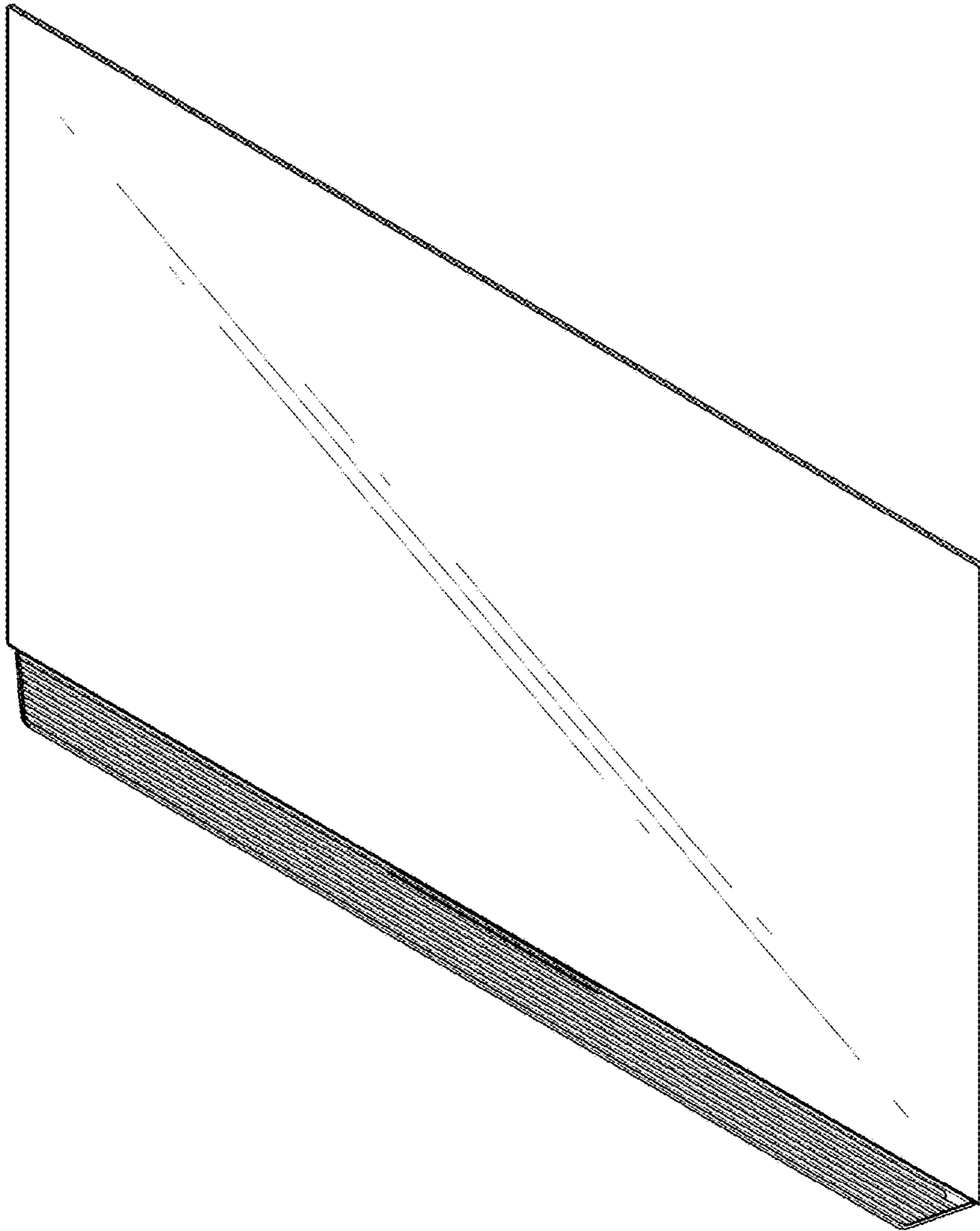
References Cited

U.S. PATENT DOCUMENTS

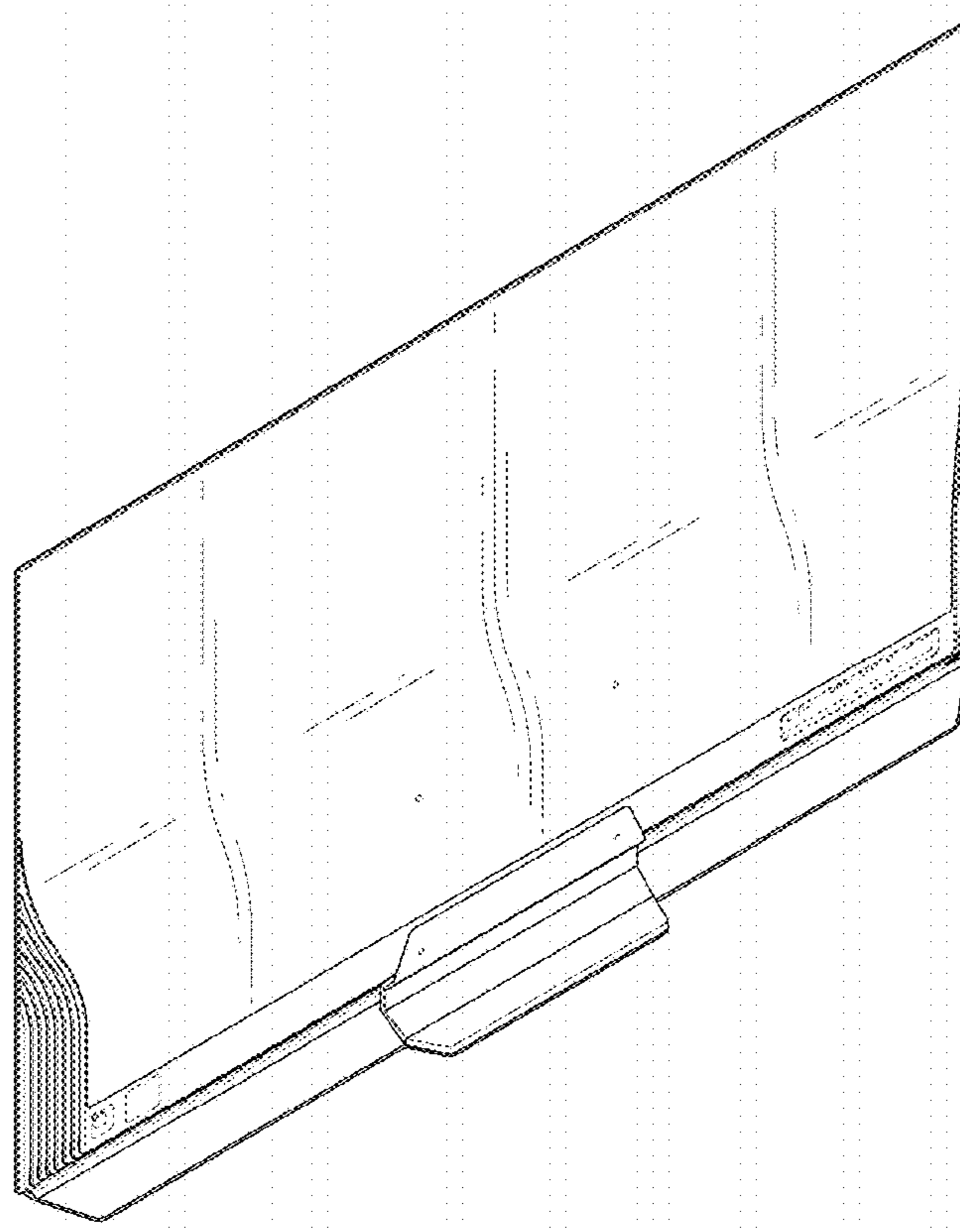
D774,010	S	*	12/2016	Wang	D14/126
D774,484	S	*	12/2016	Han	D14/126
D783,554	S	*	4/2017	Kim	D14/126
D808,353	S	*	1/2018	Lee	D14/126
D813,831	S	*	3/2018	Han	D14/126
D817,905	S	*	5/2018	Kim	D14/126
D817,909	S	*	5/2018	Song	D14/127
D823,271	S	*	7/2018	Shen	D14/126
D823,823	S	*	7/2018	Kim	D14/126
D826,201	S	*	8/2018	Won	D14/126
D828,316	S	*	9/2018	Song	D14/126

* cited by examiner

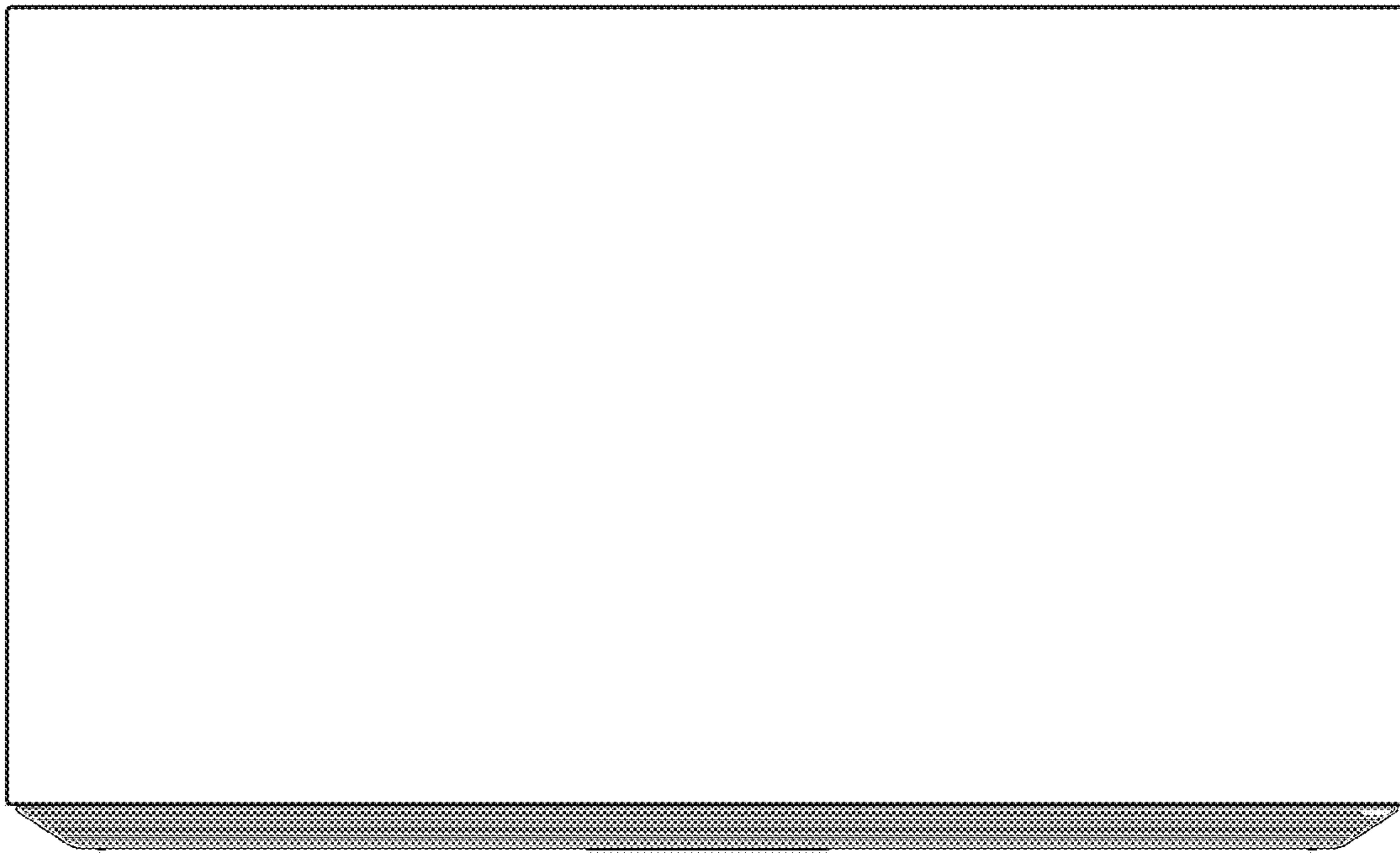
1.1



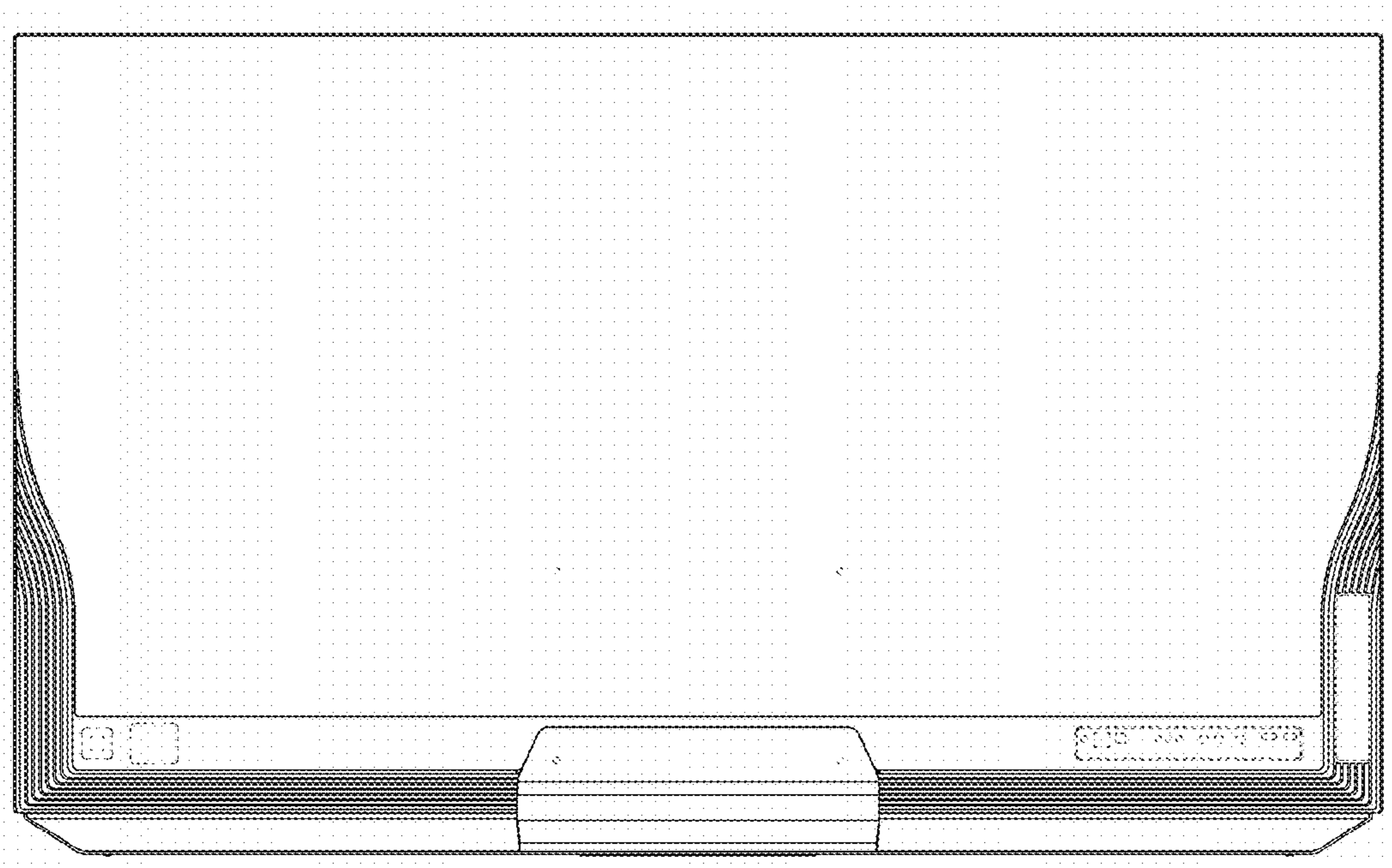
1.2



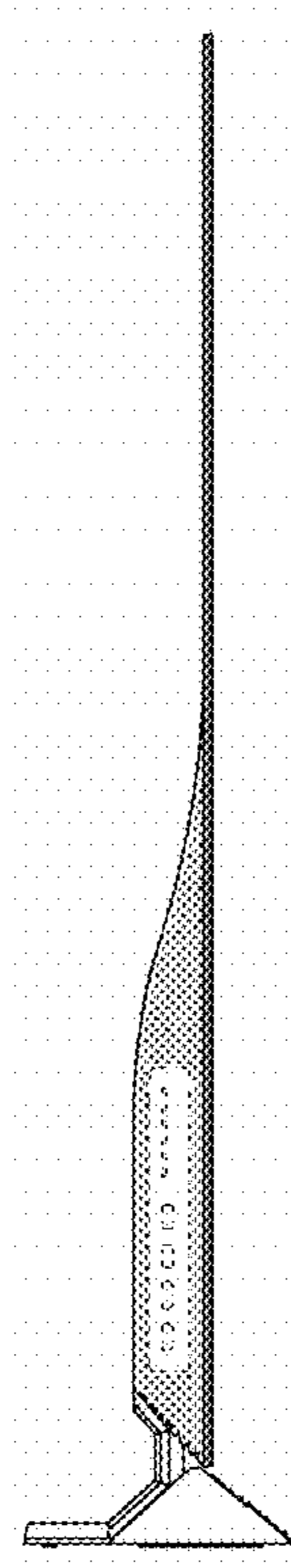
1.3



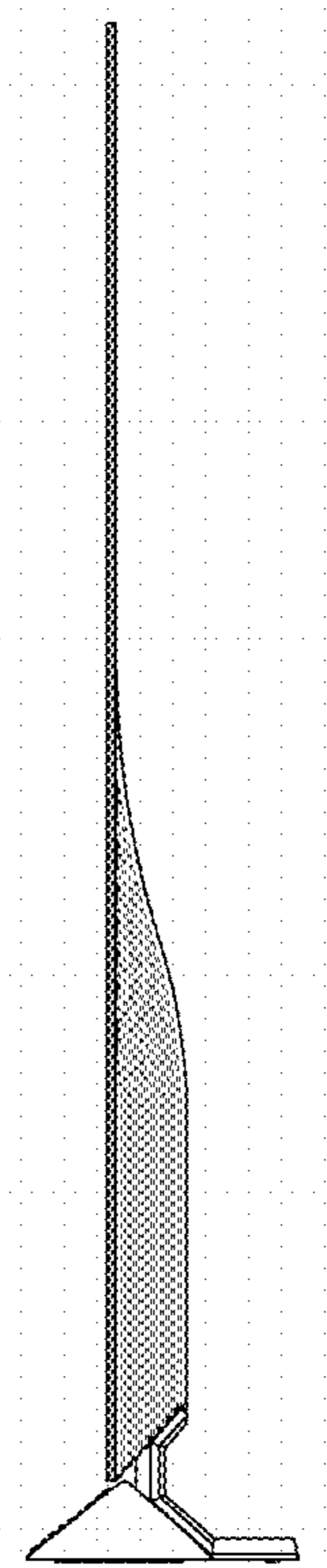
1.4



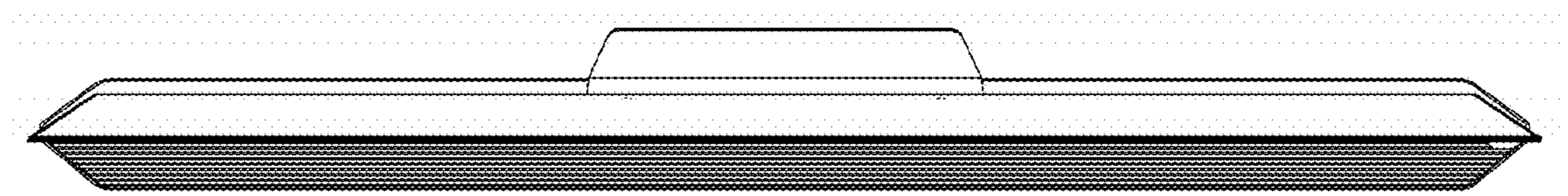
1.5



1.6



1.7



1.8

