



US00D845261S

(12) **United States Design Patent**  
**Won et al.**

(10) **Patent No.:** **US D845,261 S**

(45) **Date of Patent:** **\*\* Apr. 9, 2019**

(54) **TELEVISION**

H04N 5/64; H05K 5/0204; H05K 5/0017;  
H05K 5/0217

(71) Applicant: **LG ELECTRONICS INC.**, Seoul  
(KR)

See application file for complete search history.

(72) Inventors: **Hyojin Won**, Seoul (KR); **Hyeyoung Hong**, Seoul (KR); **Yongho Lee**, Seoul (KR); **Youngkyoung Kim**, Seoul (KR)

(56) **References Cited**

U.S. PATENT DOCUMENTS

D545,782 S \* 7/2007 Schiller ..... D14/126  
D598,445 S \* 8/2009 Pan ..... D14/336  
D649,950 S \* 12/2011 Chiu ..... D14/126  
D661,672 S \* 6/2012 Kim ..... D14/126  
D741,276 S \* 10/2015 Shin ..... D14/126  
D741,277 S \* 10/2015 Shin ..... D14/126  
D750,053 S \* 2/2016 Shin ..... D14/239

(73) Assignee: **LG ELECTRONICS INC.**, Seoul  
(KR)

(Continued)

(\*\*) Term: **15 Years**

FOREIGN PATENT DOCUMENTS

(21) Appl. No.: **35/504,087**

JP 1610800 \* 8/2018

(22) Filed: **Jun. 7, 2017**

*Primary Examiner* — Barbara Fox

*Assistant Examiner* — Dana K Weiland

(80) **Hague Agreement Data**

Int. Filing Date: **Jun. 7, 2017**

Int. Reg. No.: **DM/096453**

Int. Reg. Date: **Jun. 7, 2017**

Int. Reg. Pub. Date: **Dec. 8, 2017**

(74) *Attorney, Agent, or Firm* — Birch, Stewart, Kolasch & Birch, LLP

(57) **CLAIM**

The ornamental design for a television, as shown and described.

(30) **Foreign Application Priority Data**

**DESCRIPTION**

Dec. 9, 2016 (KR) ..... 30-2016-0059945

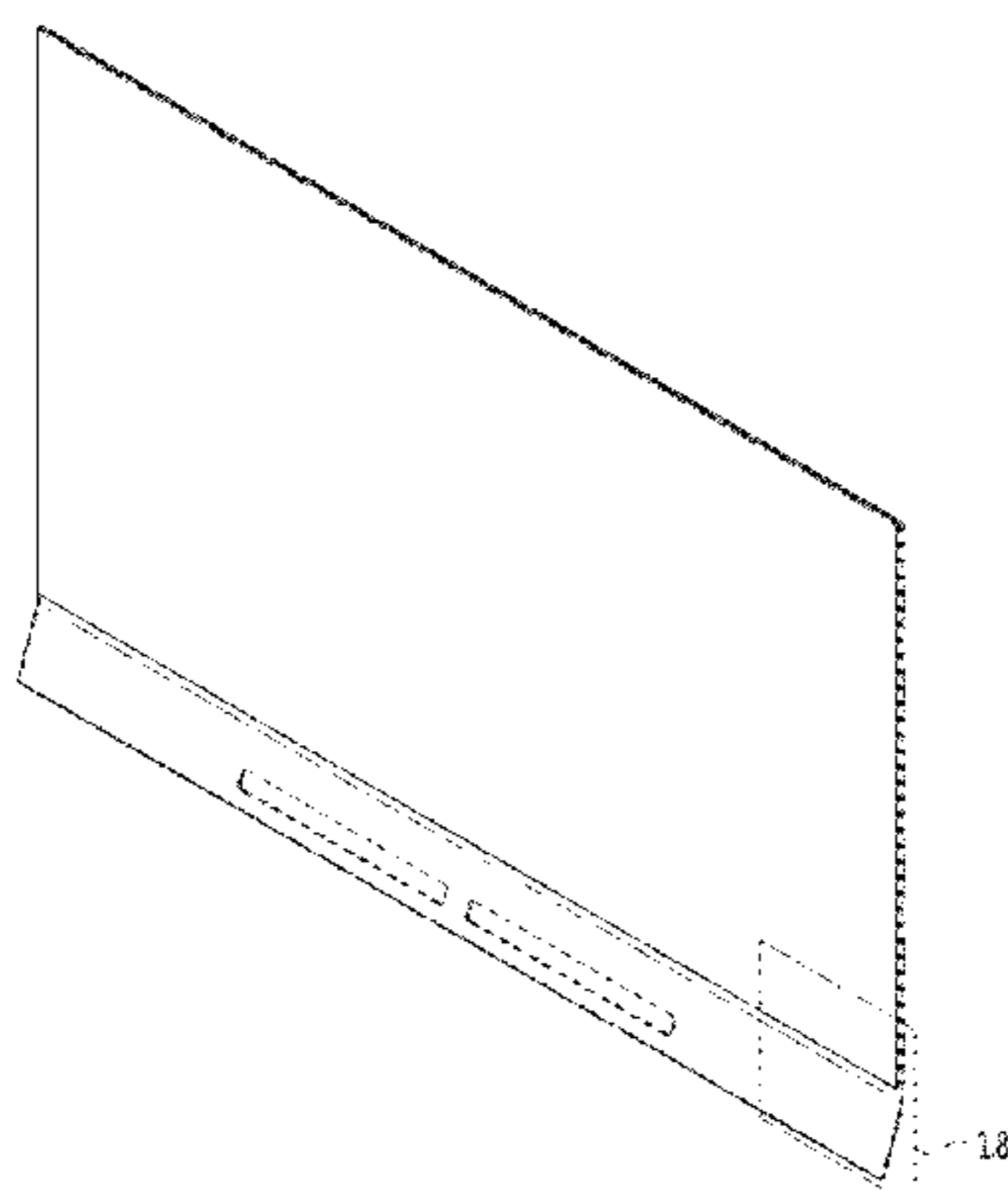
(51) **LOC (11) Cl.** ..... **14-03**

(52) **U.S. Cl.**  
USPC ..... **D14/126**

(58) **Field of Classification Search**  
USPC ..... D14/125, 126, 127–137, 239, 314–316,  
D14/322, 326, 334–336, 339, 340, 341,  
D14/371, 373–374, 448, 450, 138 G, 248;  
D6/300, 310, 314, 320, 332, 553;  
D21/329, 332, 515, 324  
CPC ..... G06F 1/16; G06F 1/1601; G06F 1/1637;

1. Television  
1.1 is a front perspective view of a television showing our new design;  
1.2 is the front view thereof;  
1.3 is the back view thereof;  
1.4 is the left side view thereof;  
1.5 is the right side view thereof;  
1.6 is the top view thereof;  
1.7 is the bottom view thereof;  
1.8 is an enlarged view of a portion of the television shown in 1.1; and  
1.9 is an enlarged view of a portion of the television shown in 1.4.

(Continued)



The evenly-spaced broken lines shown in the drawings depict portions of the television that form no part of the claimed design. The dot-dash broken lines shown in 1.1, 1.4, 1.8 and 1.9 are for the purpose of showing partially enlarged views only and form no part of the claimed design.

**1 Claim, 9 Drawing Sheets**

(56)

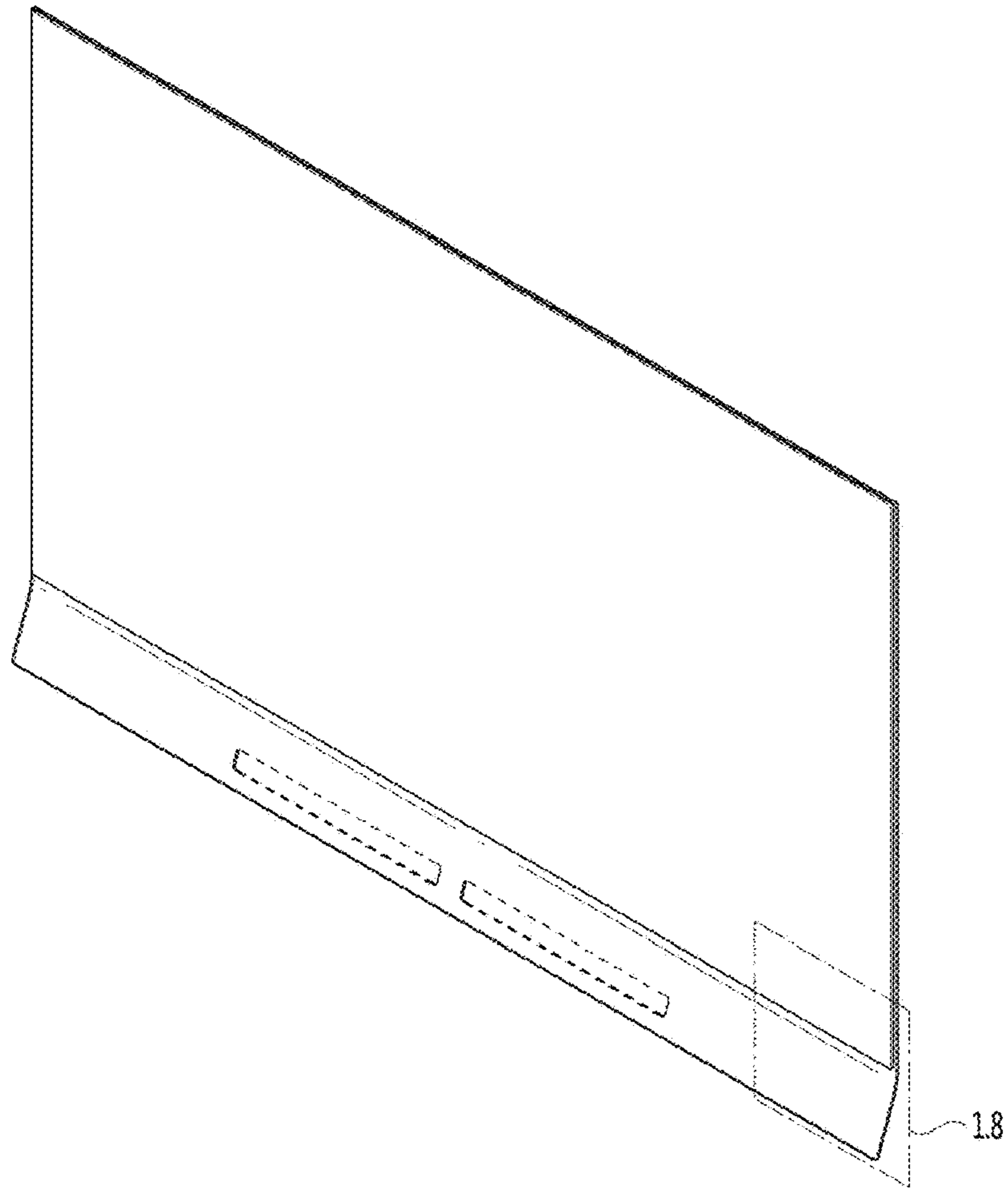
**References Cited**

U.S. PATENT DOCUMENTS

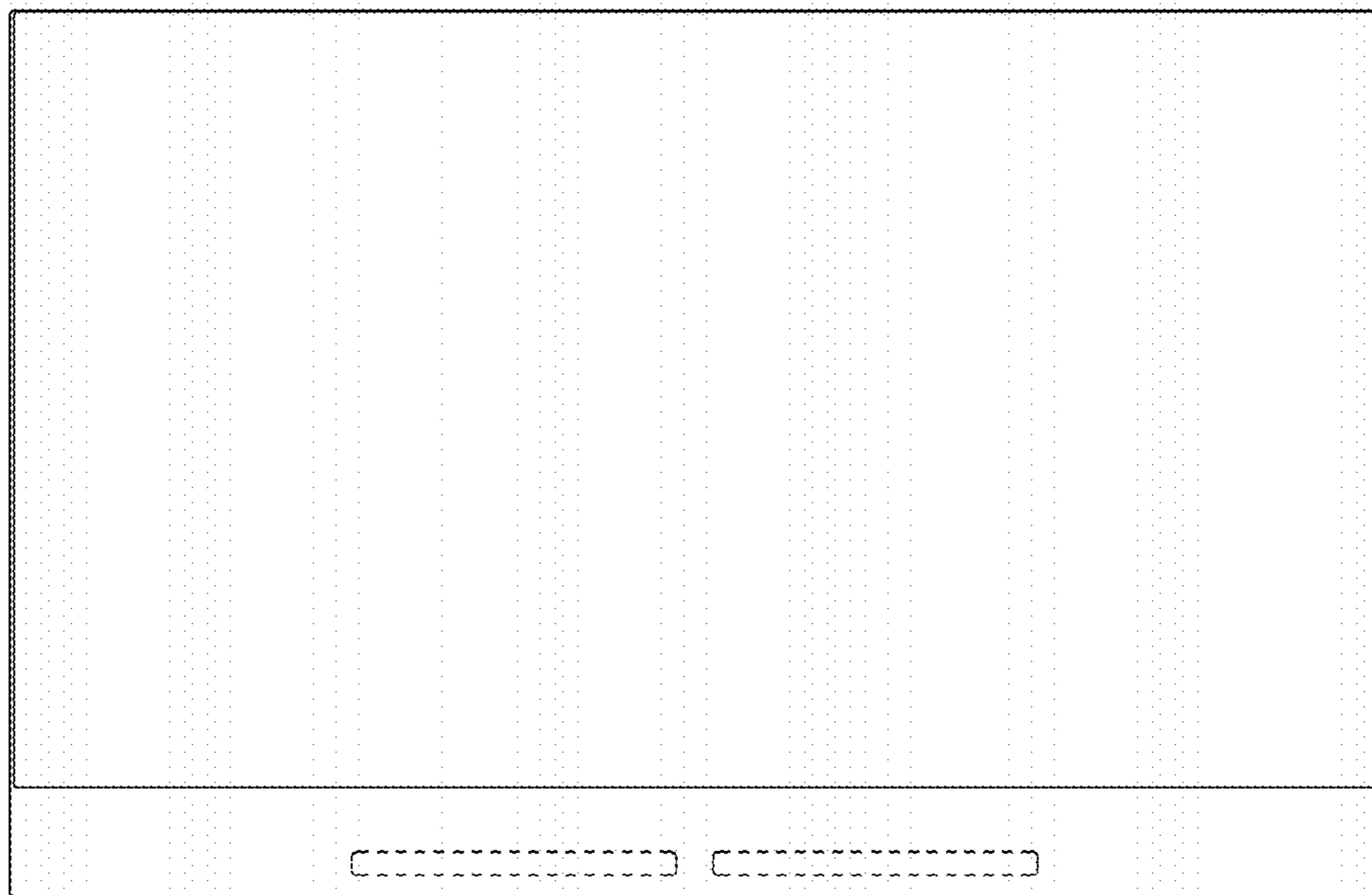
D753,618 S *	4/2016	Ryu .....	D14/126
D769,243 S *	10/2016	Wu .....	D14/374
D772,829 S *	11/2016	Han .....	D14/126
D773,421 S *	12/2016	Han .....	D14/126
D773,422 S *	12/2016	Han .....	D14/126
D774,484 S *	12/2016	Han .....	D14/126
D780,139 S *	2/2017	Bouroullec .....	D14/126
D811,356 S *	2/2018	Won .....	D14/126
D813,831 S *	3/2018	Han .....	D14/126
D817,903 S *	5/2018	Won .....	D14/126
D817,904 S *	5/2018	Won .....	D14/126
D824,897 S *	8/2018	Collins .....	D14/315
D826,201 S *	8/2018	Won .....	D14/126
2011/0205454 A1 *	8/2011	Kim .....	H04N 5/64 348/836
2016/0062503 A1 *	3/2016	Lee .....	G01L 1/2206 345/174

\* cited by examiner

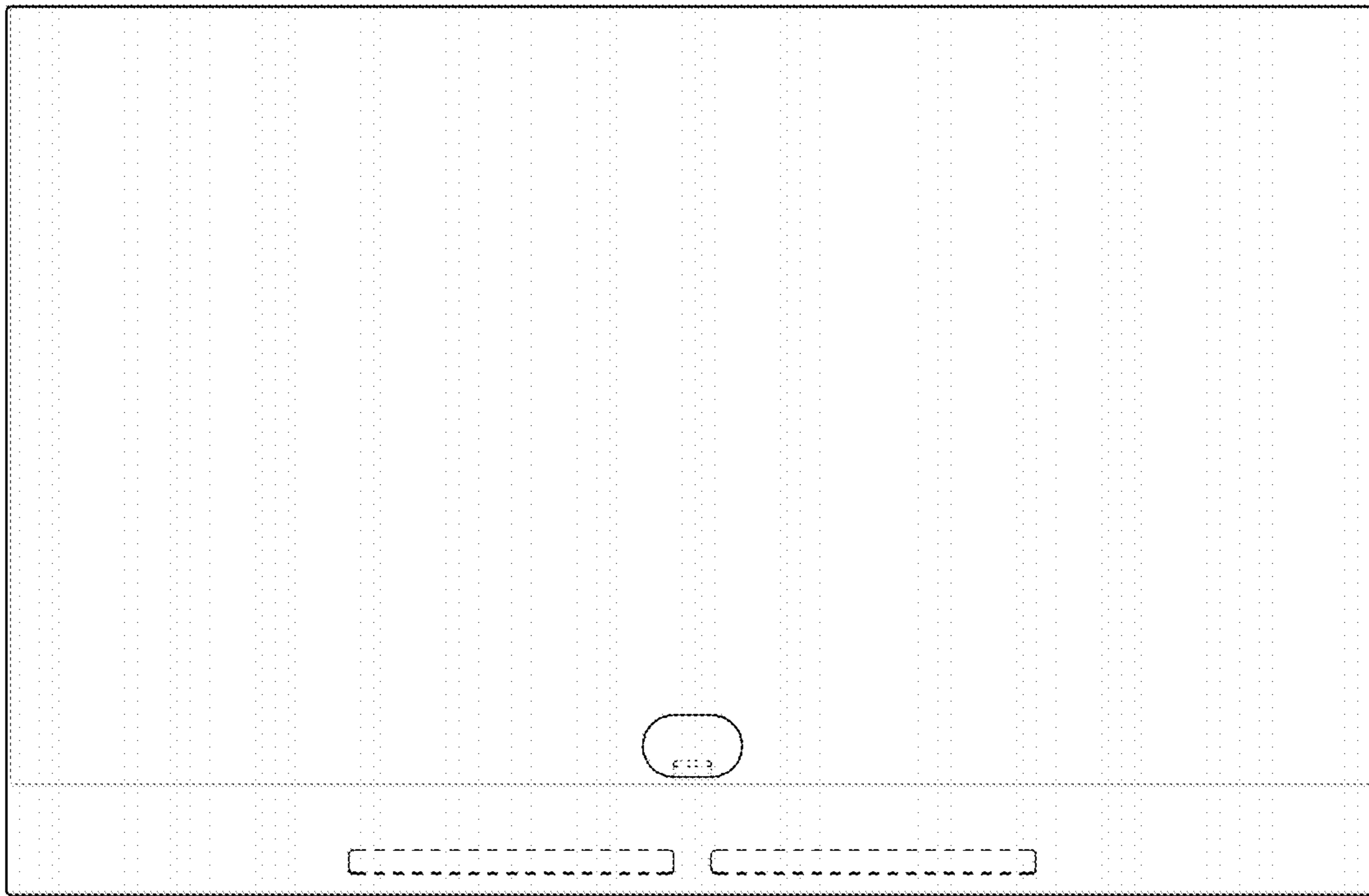
1.1



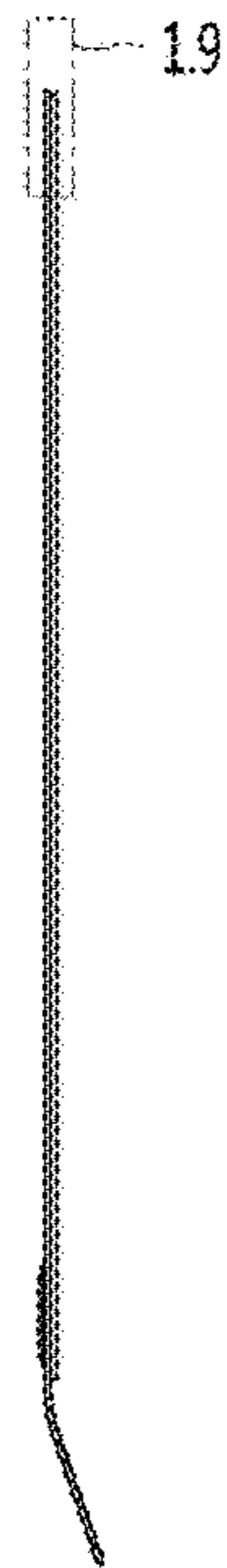
1.2



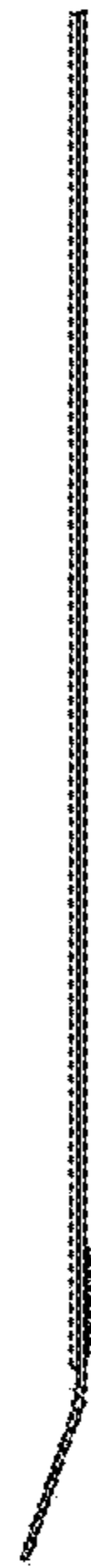
1.3



1.4



1.5



1.6

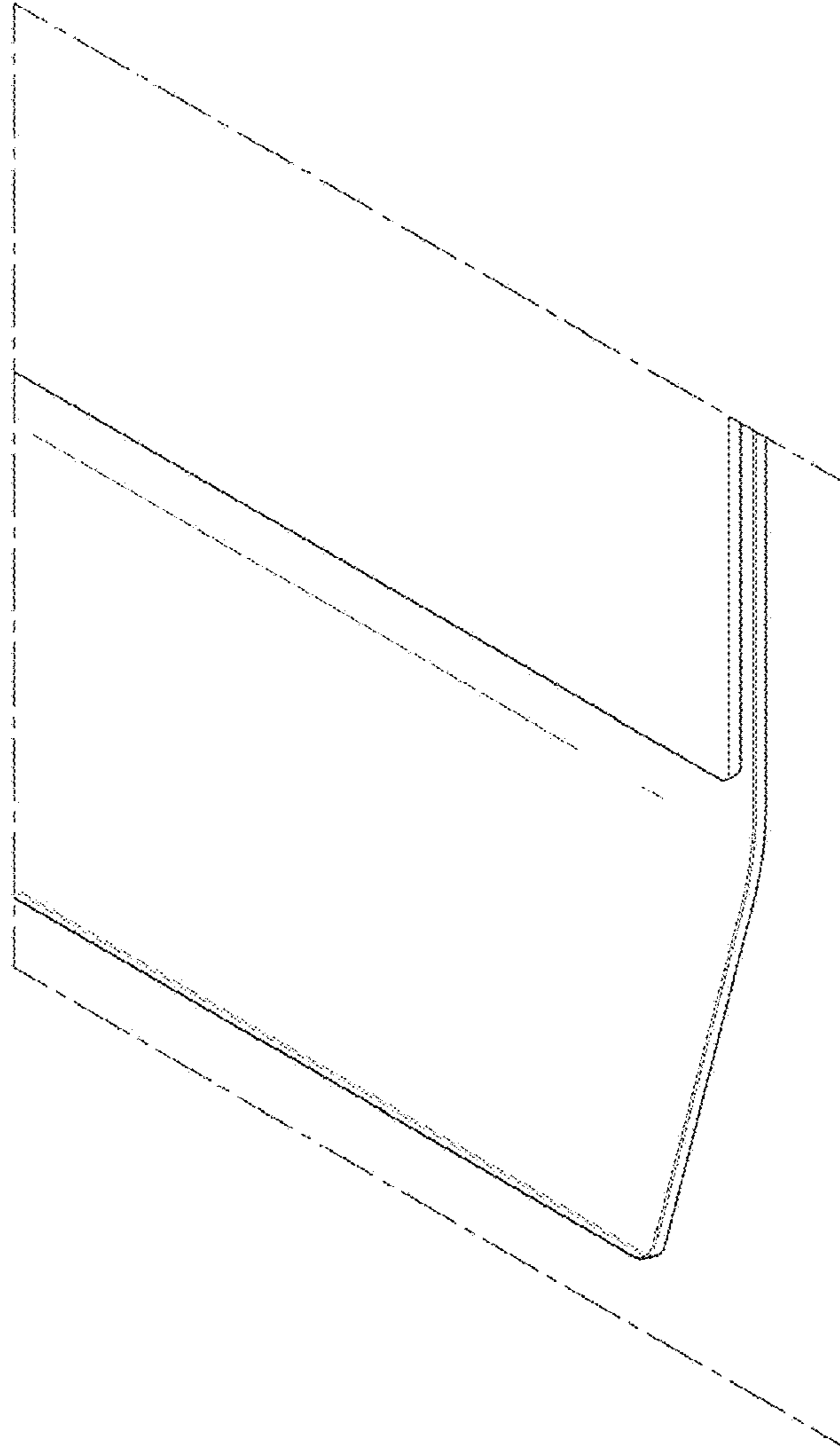




1.7



1.8



1.9

