



US00D845258S

(12) **United States Design Patent**  
**D'Ambrosio**

(10) **Patent No.:** **US D845,258 S**

(45) **Date of Patent:** **\*\* Apr. 9, 2019**

(54) **ELECTRONIC DISPLAY APPARATUS**

D647,866 S \* 11/2011 Chen ..... D14/125  
D769,836 S \* 10/2016 Axelsson ..... D14/125  
D777,100 S \* 1/2017 Price ..... D13/103

(71) Applicant: **Plantronics, Inc.**, Santa Cruz, CA (US)

\* cited by examiner

(72) Inventor: **Jeremy Jacob D'Ambrosio**, Soquel,  
CA (US)

*Primary Examiner* — Randall H Gholson

(73) Assignee: **Plantronics, Inc.**, Santa Cruz, CA (US)

(\*\*) Term: **15 Years**

(57) **CLAIM**

(21) Appl. No.: **29/630,653**

The ornamental design for an electronic display apparatus,  
as shown and described.

(22) Filed: **Dec. 21, 2017**

(51) **LOC (11) Cl.** ..... **14-03**

(52) **U.S. Cl.**

USPC ..... **D14/125**

(58) **Field of Classification Search**

USPC ..... D14/125, 357-358, 496, 188, 242, 432;  
D13/184; 348/10, 460, 706, 731;  
340/825.03; 455/6.1, 6.2; 312/223.1, 7.2  
CPC .. H04N 5/50; H04N 5/64; H05K 5/02; H05K  
5/03; G06F 1/16

See application file for complete search history.

**DESCRIPTION**

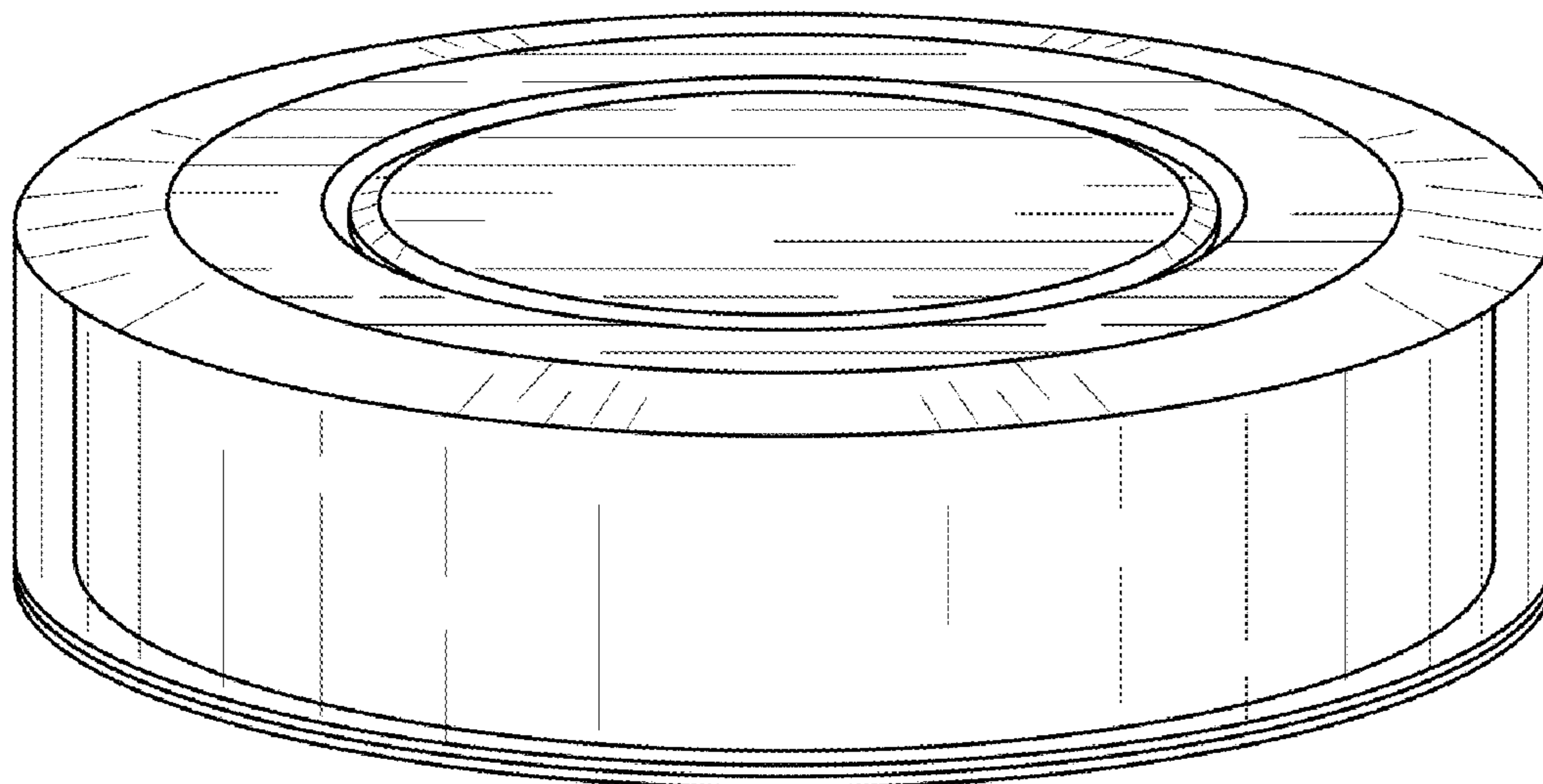
FIG. 1 is a top-front perspective view of an electronic display apparatus showing my new design;  
FIG. 2 is a bottom-back perspective view thereof;  
FIG. 3 is a front view thereof;  
FIG. 4 is a back view thereof;  
FIG. 5 is a right-side view thereof;  
FIG. 6 is a left-side view thereof;  
FIG. 7 is a top view thereof; and,  
FIG. 8 is a bottom view thereof.

(56) **References Cited**

**U.S. PATENT DOCUMENTS**

D600,694 S \* 9/2009 Sumii ..... D14/356

**1 Claim, 5 Drawing Sheets**



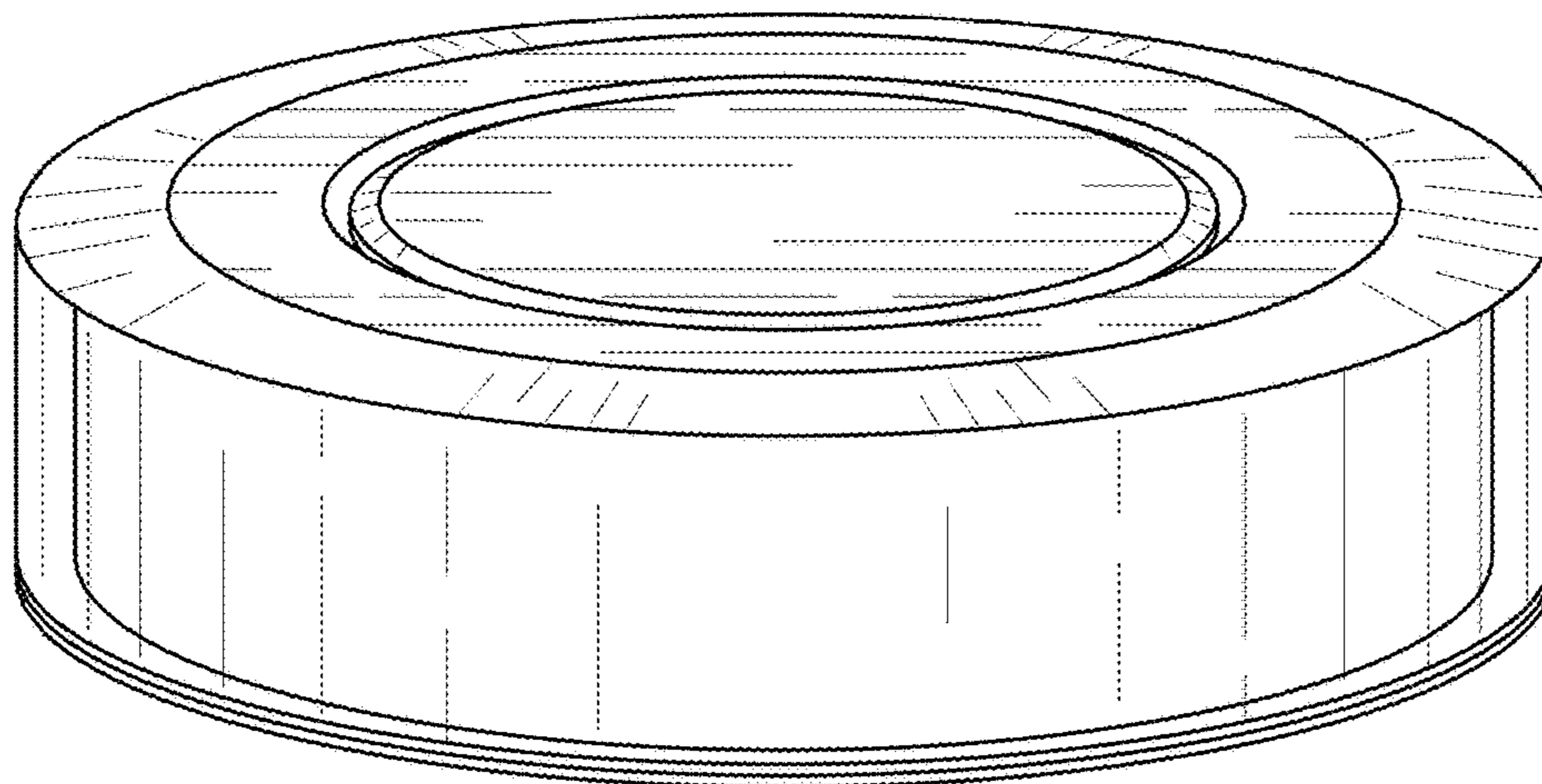


FIG. 1

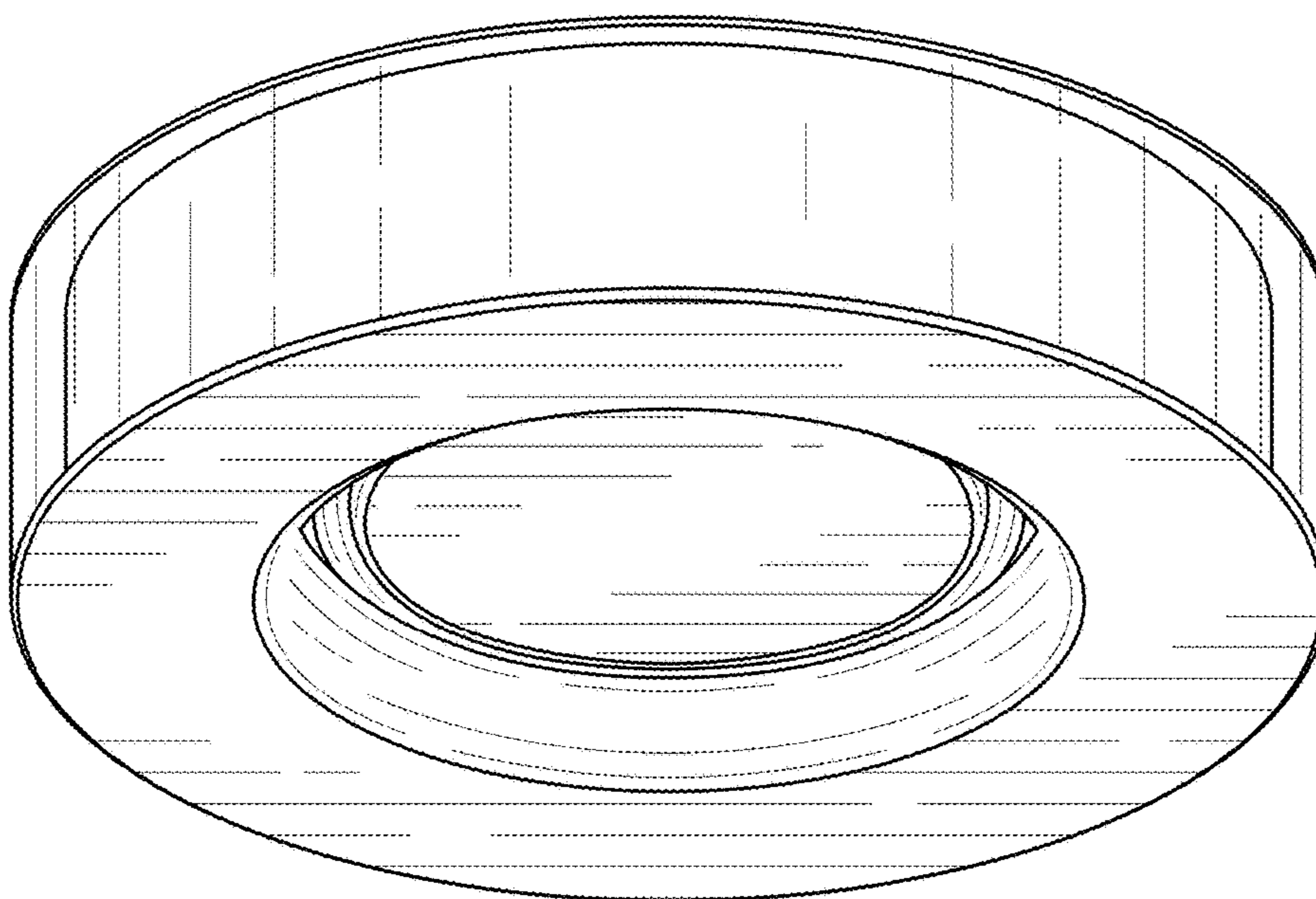
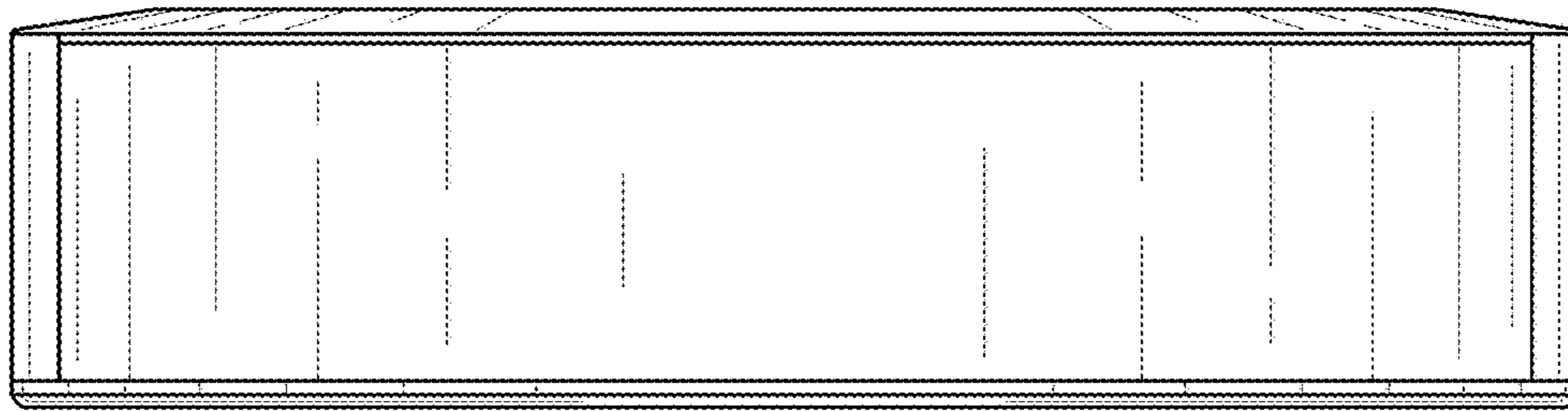
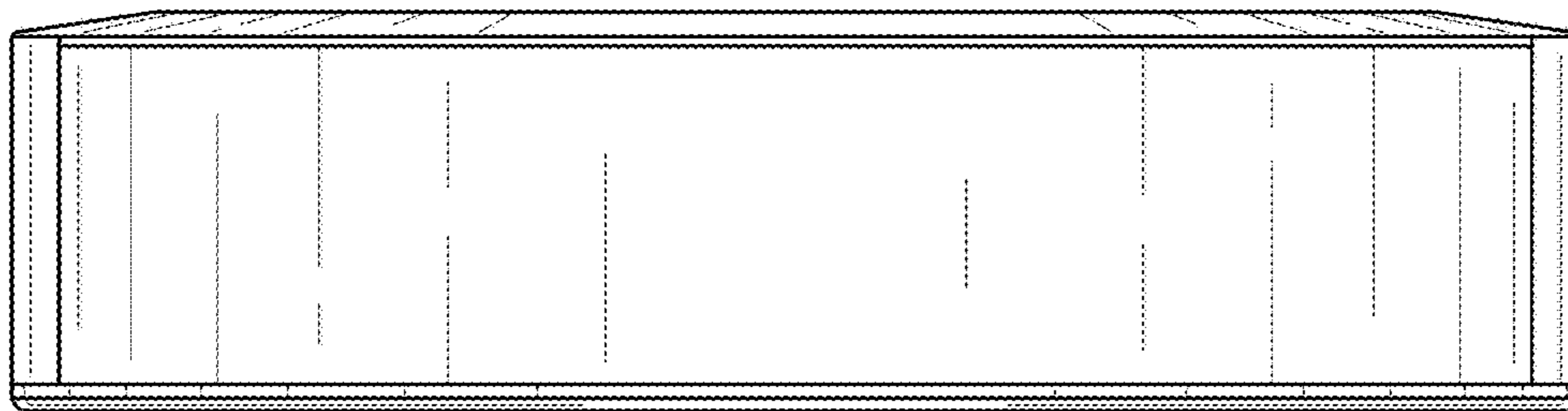


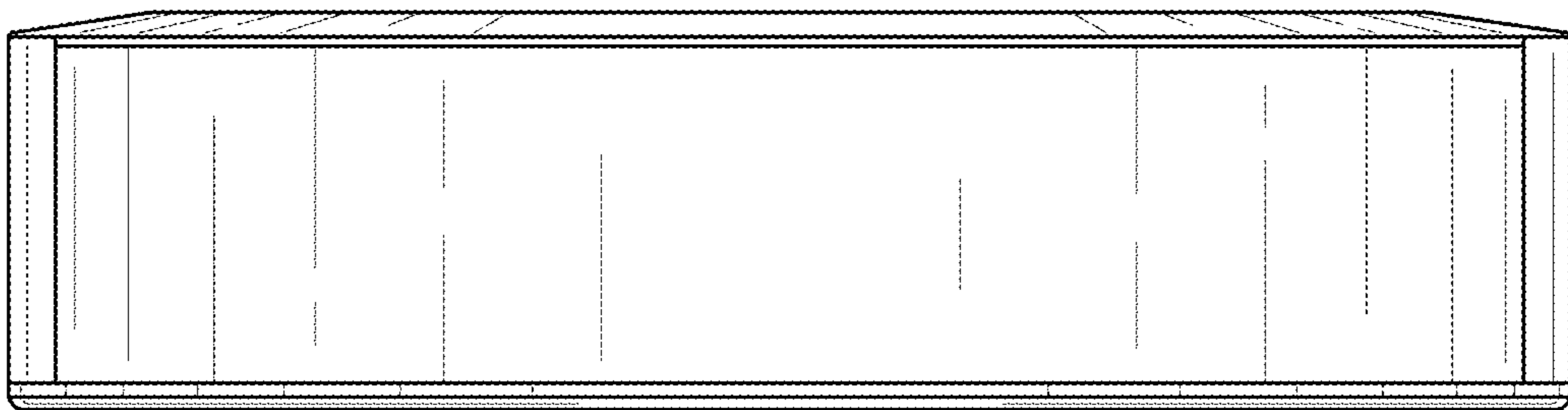
FIG. 2



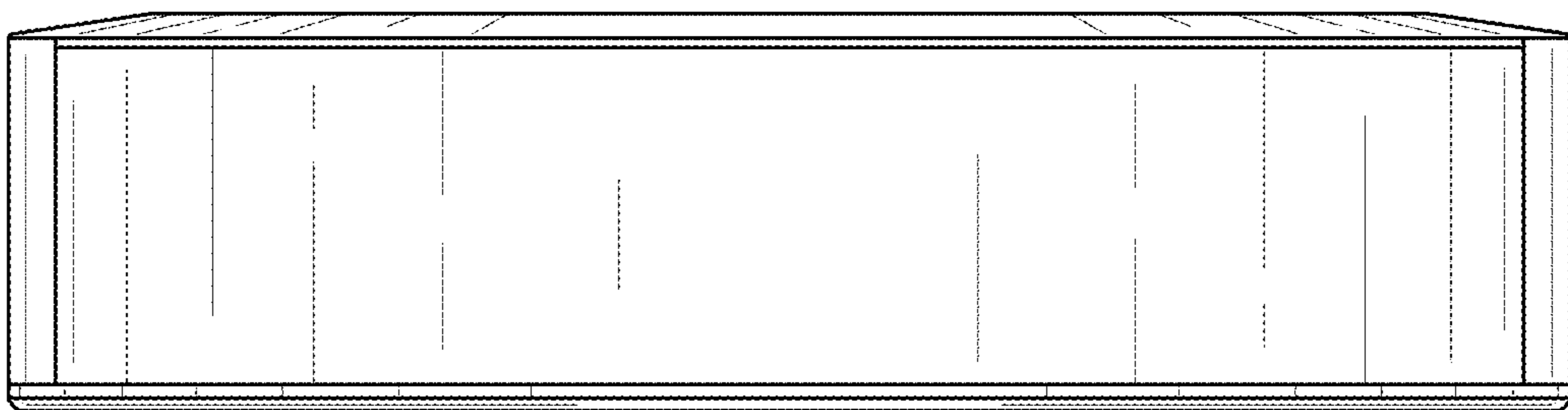
**FIG. 3**



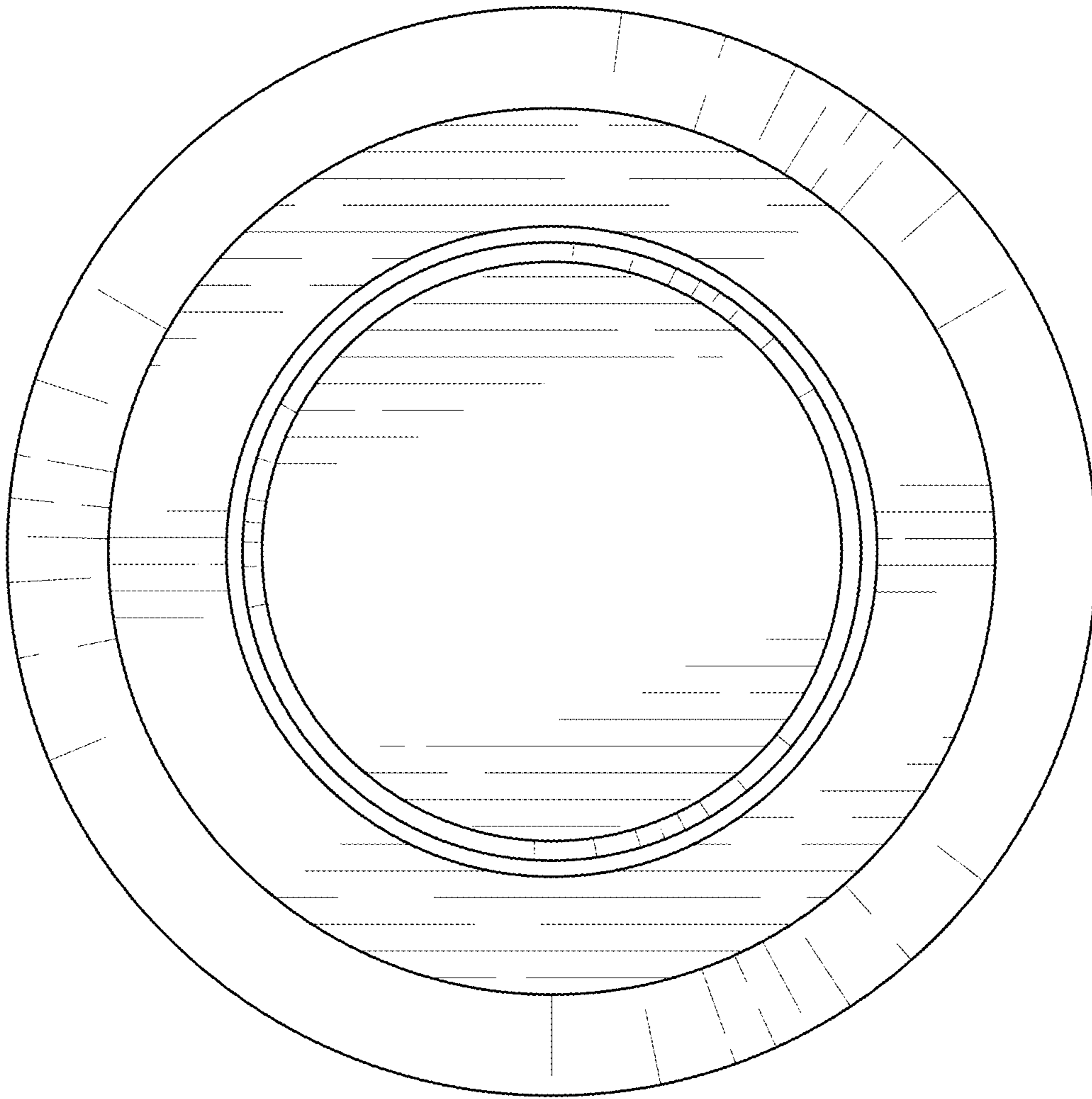
**FIG. 4**



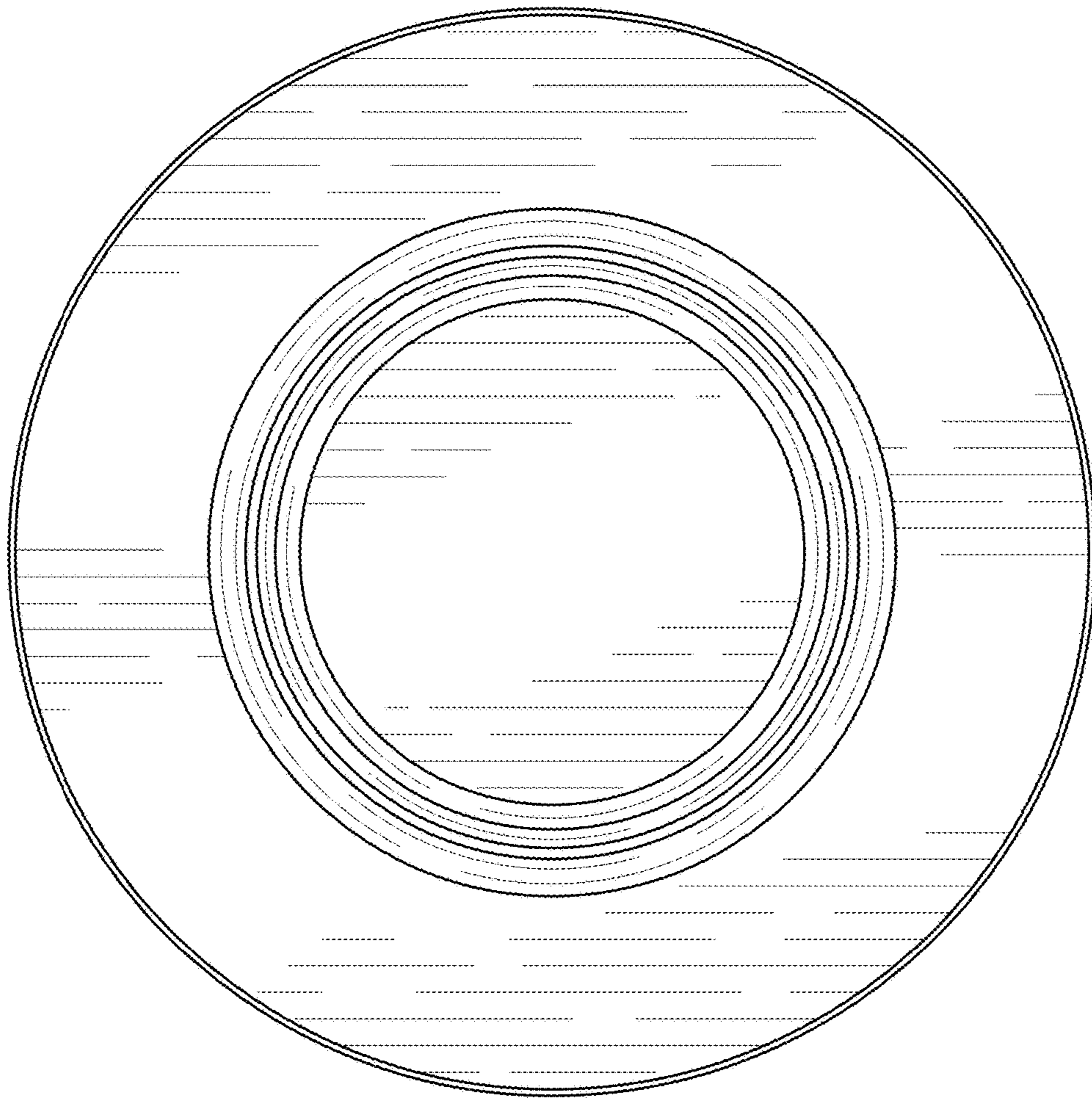
**FIG. 5**



**FIG. 6**



**FIG. 7**



**FIG. 8**