



US00D845257S

(12) **United States Design Patent**  
**Benda et al.**

(10) **Patent No.:** **US D845,257 S**

(45) **Date of Patent:** **\*\* Apr. 9, 2019**

(54) **PART OF A BREAKER LOCKOUT**

- (71) Applicant: **Brady Worldwide, Inc.**, Milwaukee, WI (US)
- (72) Inventors: **Steven J. Benda**, Cokato, MN (US); **Nels E. Benda**, Hancock, MI (US); **Chad M. Benda**, Cokato, MN (US); **Katherine A. Cherney**, Glendale, WI (US); **Andrew N. Enger**, Muskego, WI (US)
- (73) Assignee: **Brady Worldwide, Inc.**, Milwaukee, WI (US)
- (\*\*) Term: **15 Years**

D365,547 S *	12/1995	Steinwachs .....	D13/178
5,500,495 A	3/1996	Benda et al.	
5,751,208 A *	5/1998	Martinez .....	H01H 85/0208 337/194
6,469,264 B2 *	10/2002	Benda .....	H01H 9/282 200/43.14
6,617,532 B1	9/2003	Turek	
6,630,626 B2 *	10/2003	Johnson .....	H01H 85/0208 174/138 F
6,727,441 B2	4/2004	Benda	
6,791,040 B1	9/2004	Puhalla et al.	
D535,629 S	1/2007	Kalous et al.	
7,262,376 B2	8/2007	Brojanac et al.	
D564,337 S *	3/2008	Brojanac .....	D13/178
D564,859 S *	3/2008	Brojanac .....	D13/178
7,371,980 B2	5/2008	Marshall	
8,629,359 B2 *	1/2014	Hackett .....	H01H 9/283 200/43.14

(Continued)

*Primary Examiner* — Selina Sikder

(74) *Attorney, Agent, or Firm* — Quarles & Brady LLP

(21) Appl. No.: **29/627,903**

(22) Filed: **Nov. 30, 2017**

**Related U.S. Application Data**

(62) Division of application No. 29/561,234, filed on Apr. 14, 2016, now Pat. No. Des. 808,346.

(51) **LOC (11) Cl.** ..... **13-03**

(52) **U.S. Cl.**  
USPC ..... **D13/178**

(58) **Field of Classification Search**  
USPC ..... D13/161, 173, 178; D8/330, 331, 394;  
439/135  
CPC ..... H01H 9/00; H01H 9/283; H01H 9/286;  
H01H 85/02; H01H 85/0208; H01H  
85/24; H01R 13/44; H01R 13/443; H01R  
13/465

See application file for complete search history.

(56) **References Cited**

**U.S. PATENT DOCUMENTS**

- 5,122,624 A 6/1992 Benda
- 5,300,740 A 4/1994 Benda

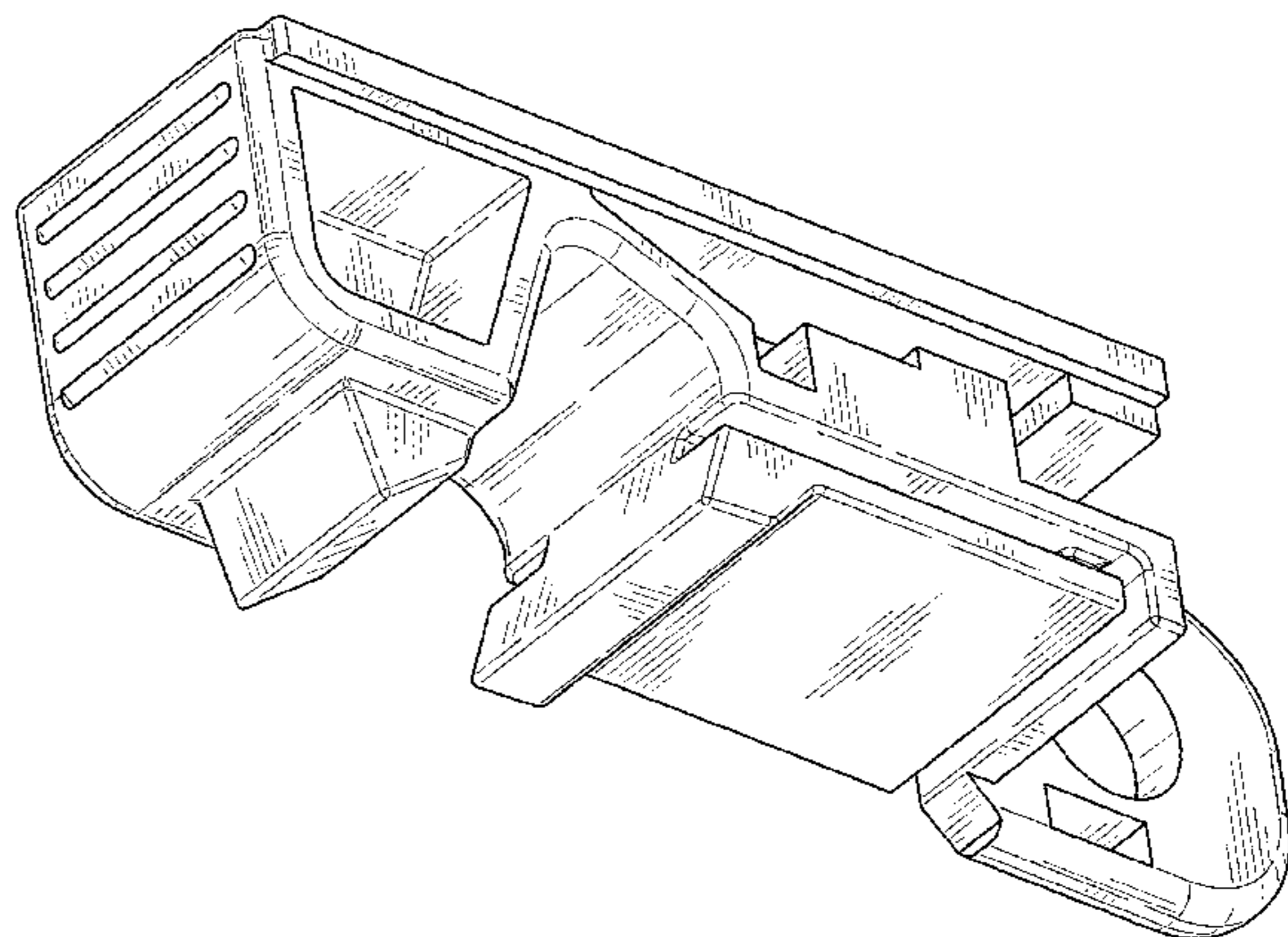
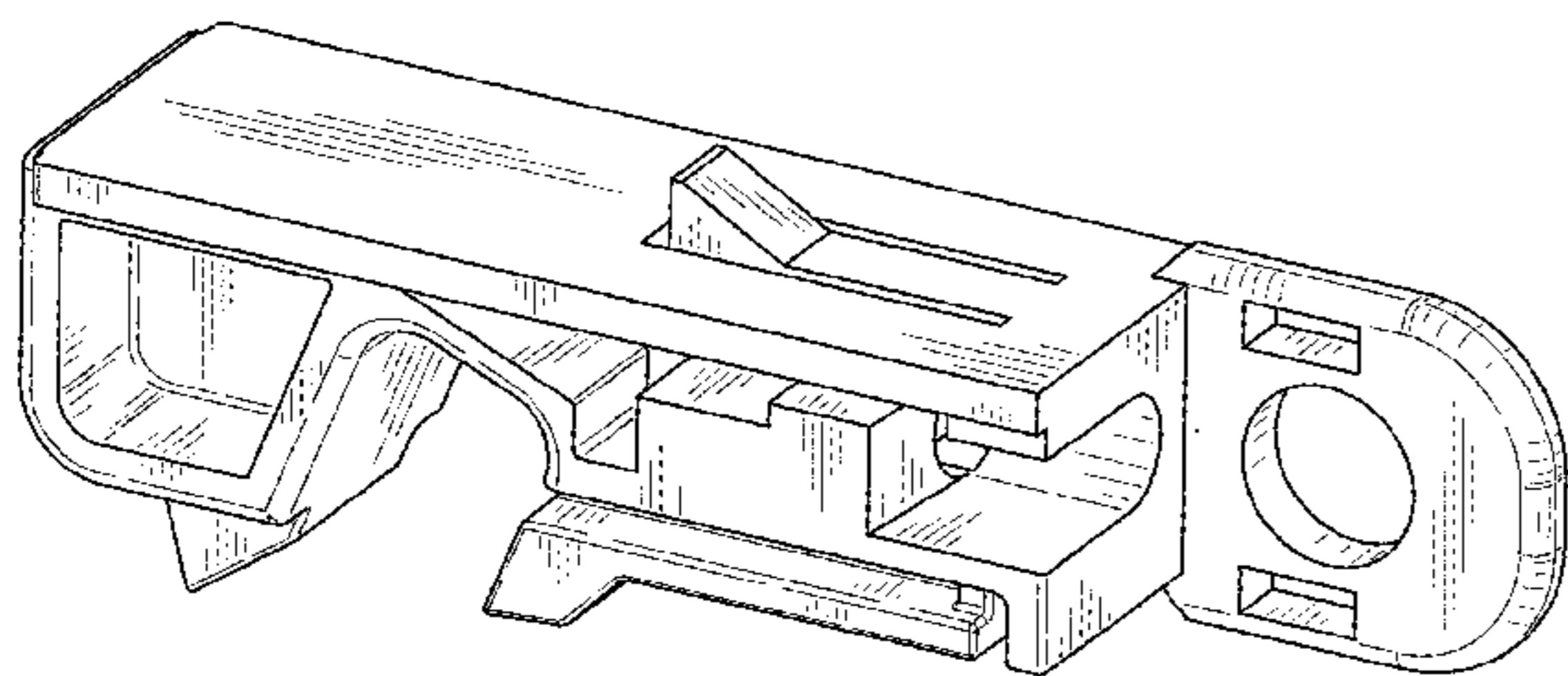
(57) **CLAIM**

The ornamental design for a part of a breaker lockout, as shown and described.

**DESCRIPTION**

FIG. 1 is a perspective view of a top, front, and left side of an ornamental design for a part of a breaker lockout; FIG. 2 is a perspective view of a bottom, rear, and left side of the base of FIG. 1; FIG. 3 is a front elevational view of the base of FIG. 1; FIG. 4 is a rear elevational view of the base of FIG. 1; FIG. 5 is a right side elevational view of the base of FIG. 1; FIG. 6 is a left side elevational view of the base of FIG. 1; FIG. 7 is a top plan elevational view of the base of FIG. 1; and, FIG. 8 is a bottom plan elevational view of the base of FIG. 1.

**1 Claim, 8 Drawing Sheets**



(56)

**References Cited**

U.S. PATENT DOCUMENTS

8,748,759	B2	6/2014	Howard	
9,202,646	B2	12/2015	Obenshain et al.	
9,208,964	B2	12/2015	Dudgeon et al.	
9,373,459	B1	6/2016	Mininberg	
D774,870	S *	12/2016	Nasr .....	D8/330
D808,345	S *	1/2018	Benda .....	D13/178
D808,346	S	1/2018	Benda et al.	
D808,347	S *	1/2018	Benda .....	D13/178
10,023,130	B2 *	7/2018	Kurashina .....	B60R 11/06
2004/0245077	A1	12/2004	Benda	
2006/0266631	A1 *	11/2006	Kalous .....	H01H 9/283 200/43.14
2012/0205224	A1 *	8/2012	Hackett .....	H01H 9/283 200/43.14
2014/0102865	A1 *	4/2014	Obenshain .....	H01H 9/20 200/43.11
2014/0220802	A1 *	8/2014	Bogart .....	H01H 9/00 439/133
2014/0262702	A1 *	9/2014	Oley .....	H01H 9/283 200/43.11
2015/0206668	A1 *	7/2015	Montgomery .....	H01H 9/283 200/43.21

\* cited by examiner

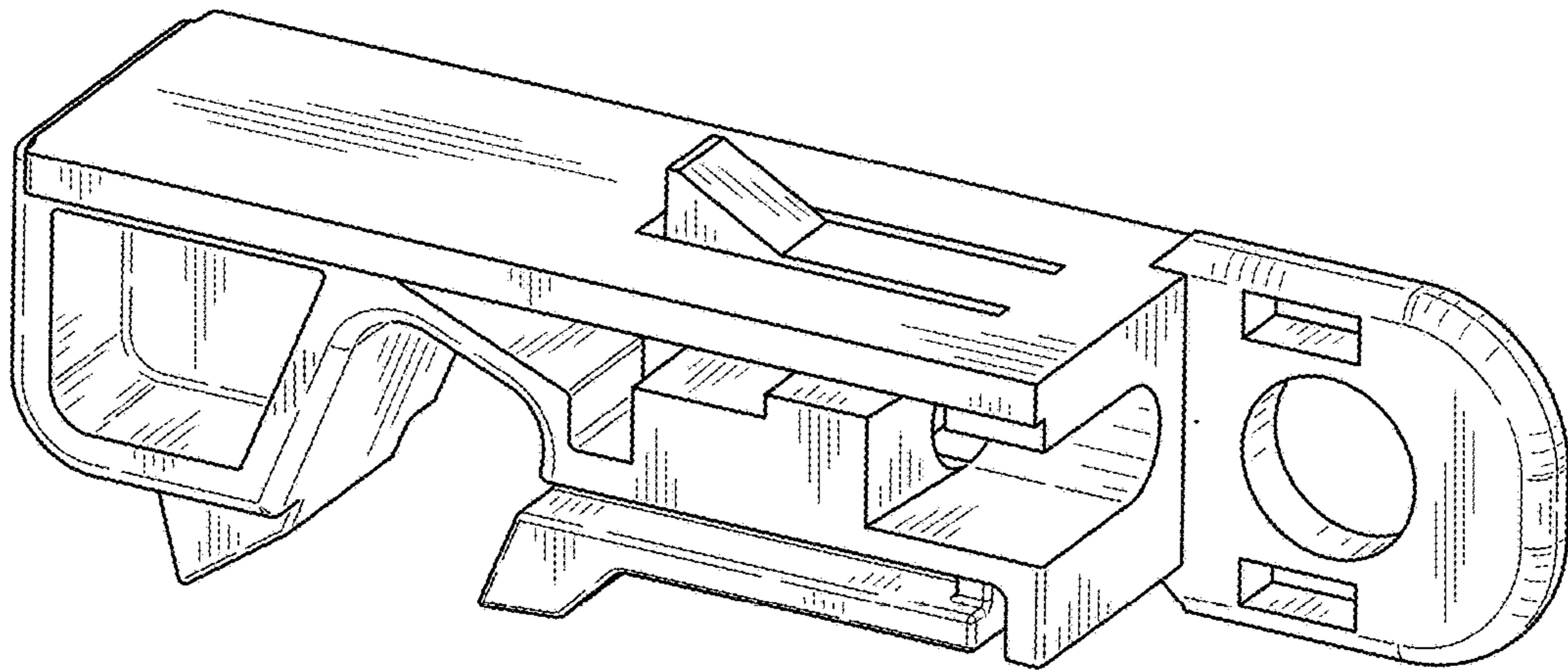


FIG. 1

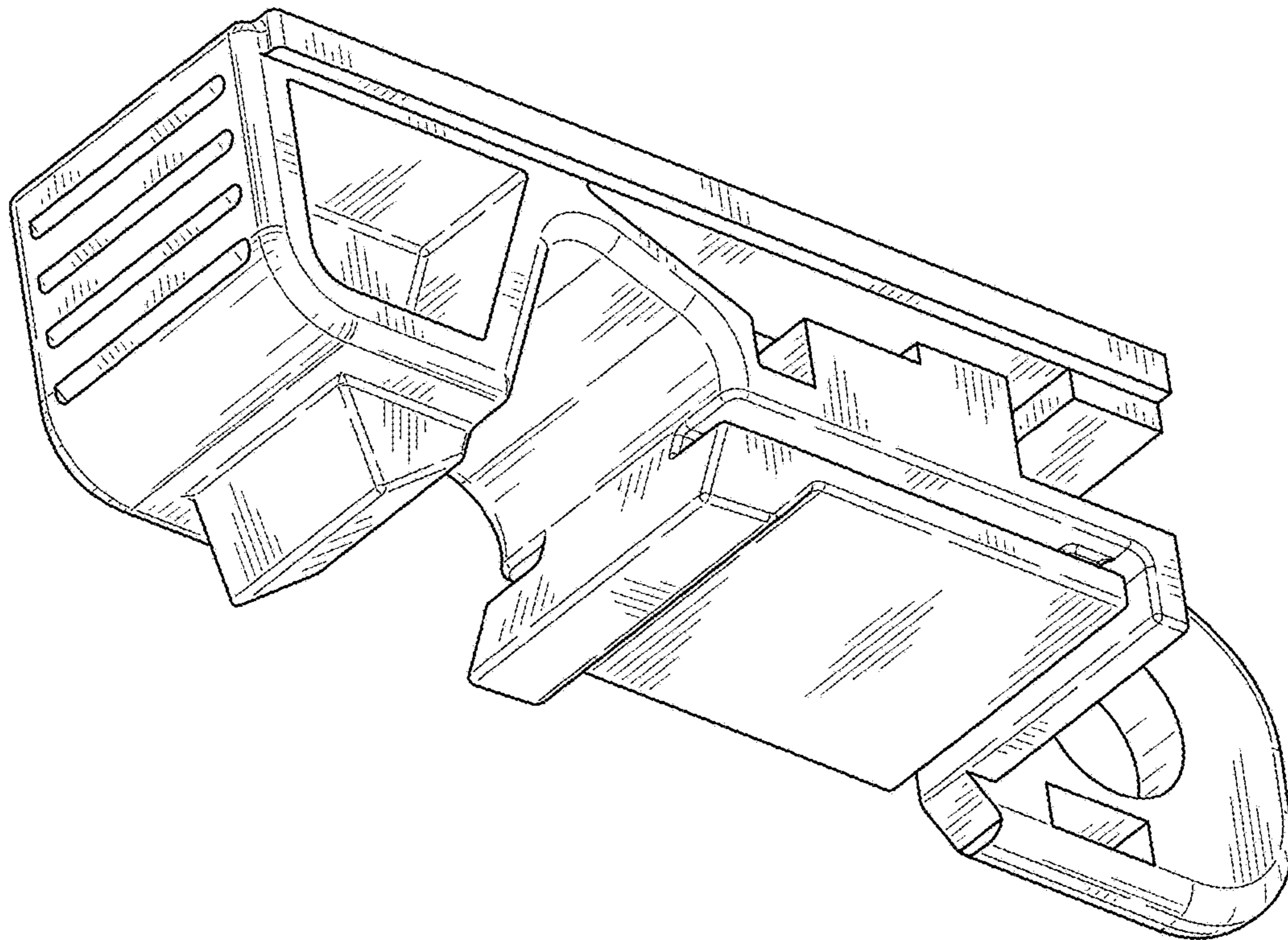


FIG. 2



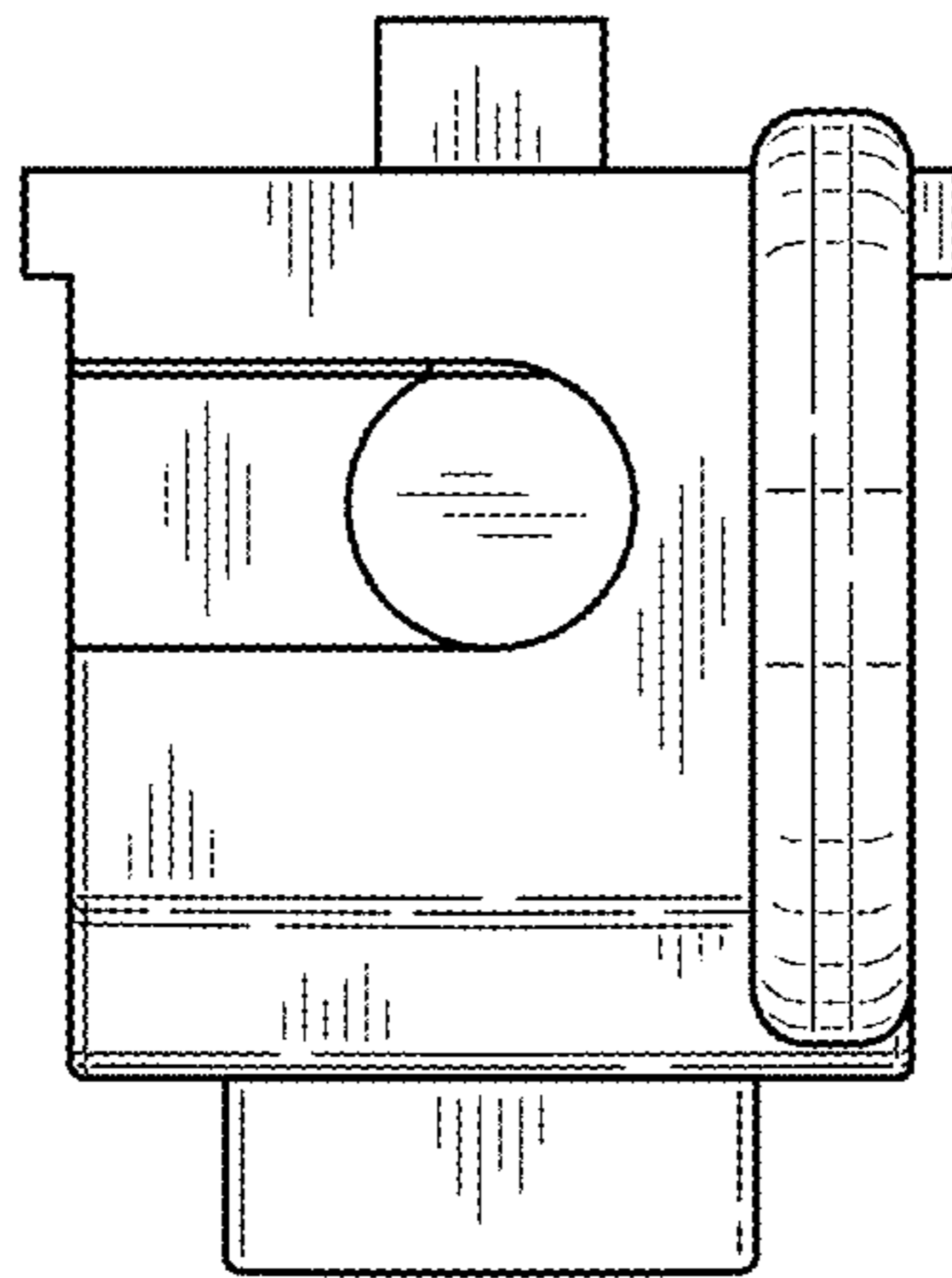


FIG. 3

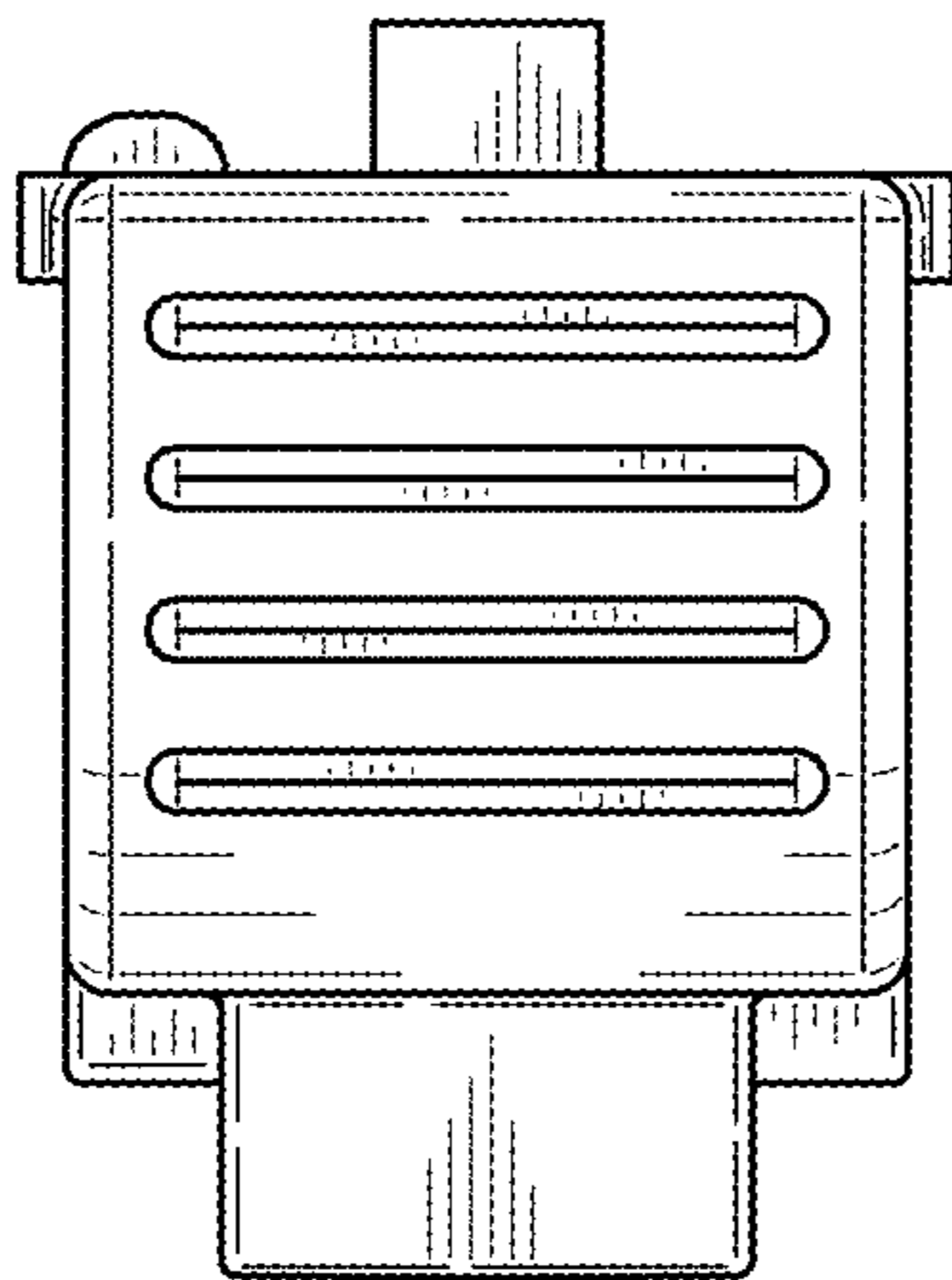


FIG. 4

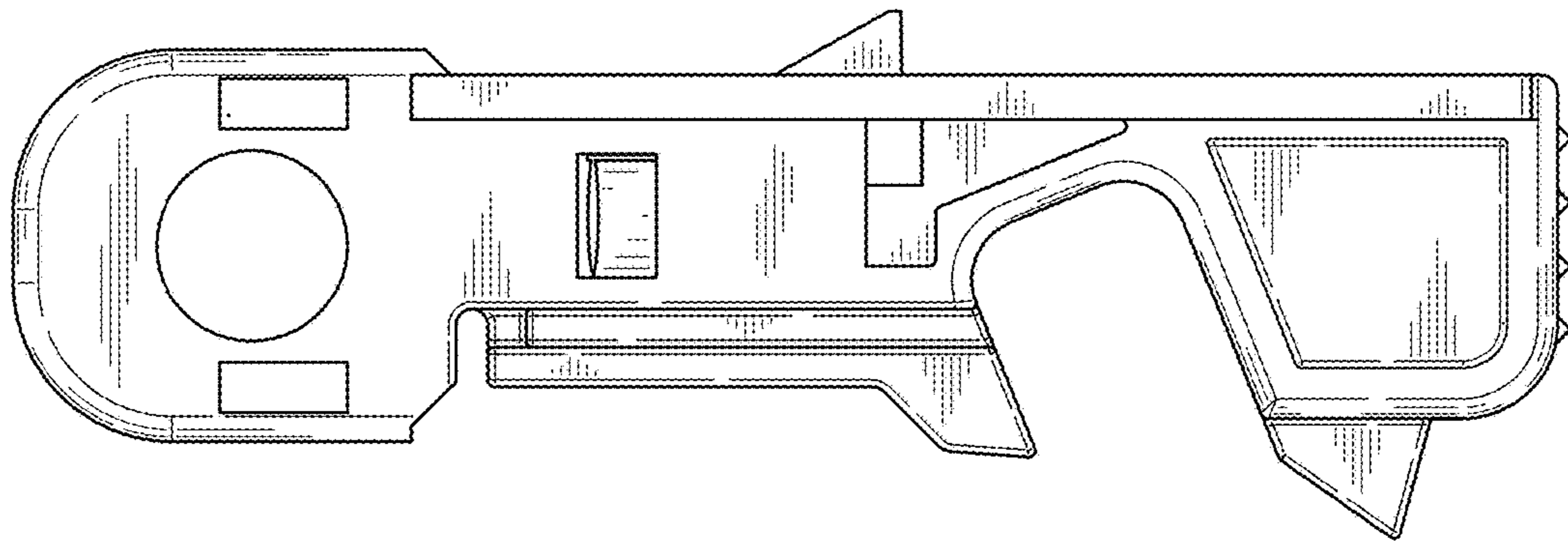


FIG. 5

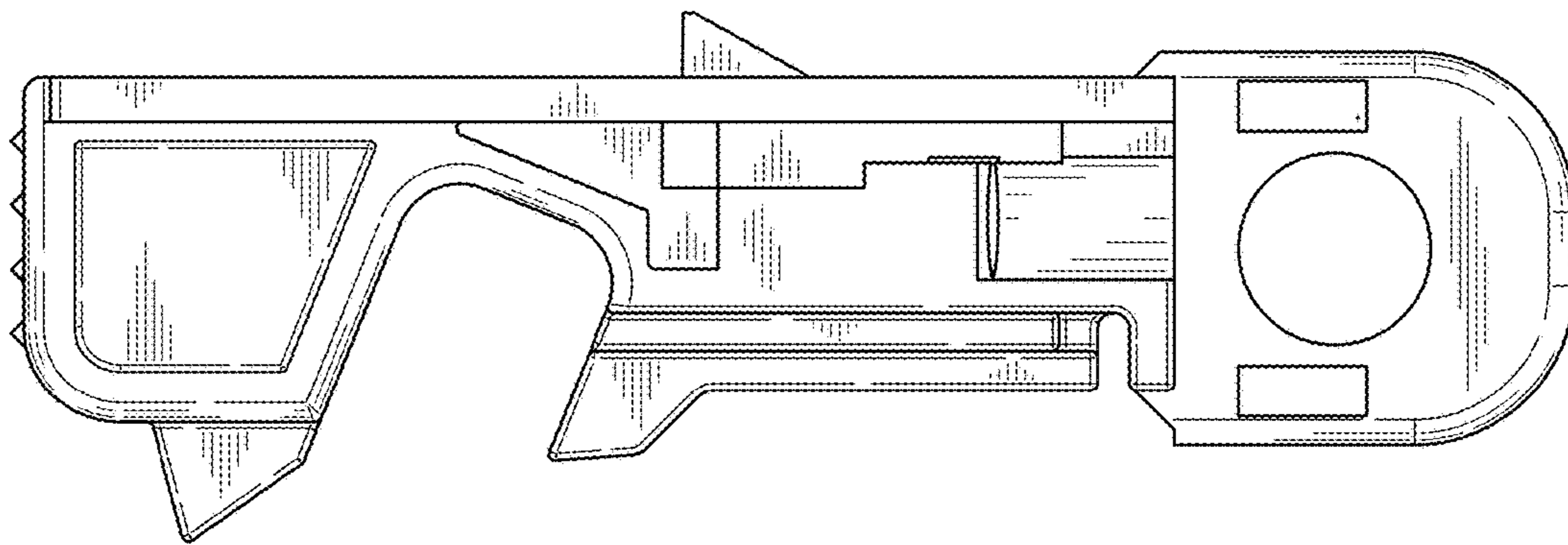


FIG. 6



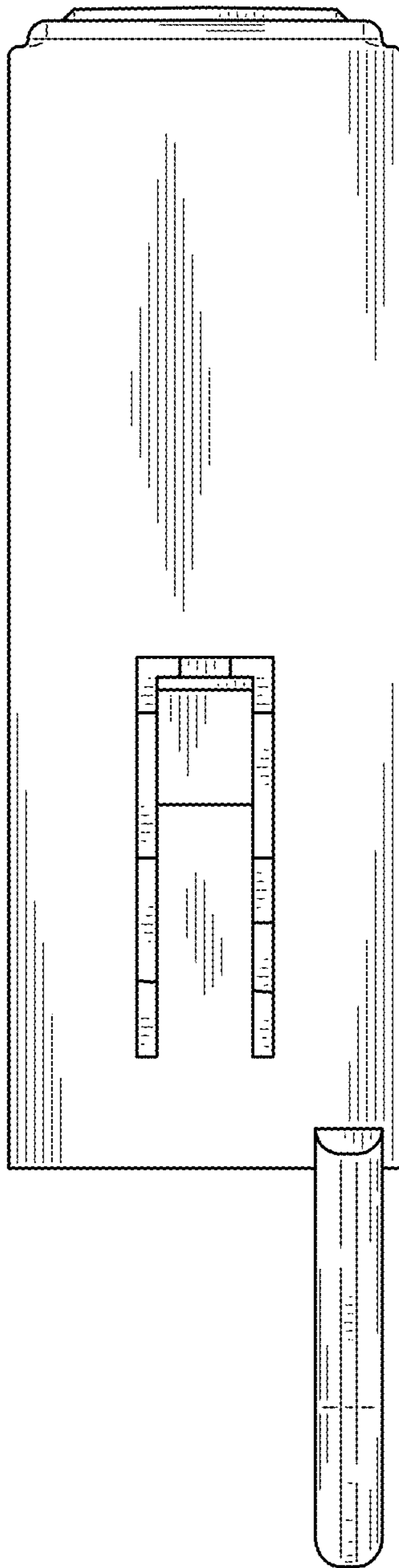


FIG. 7

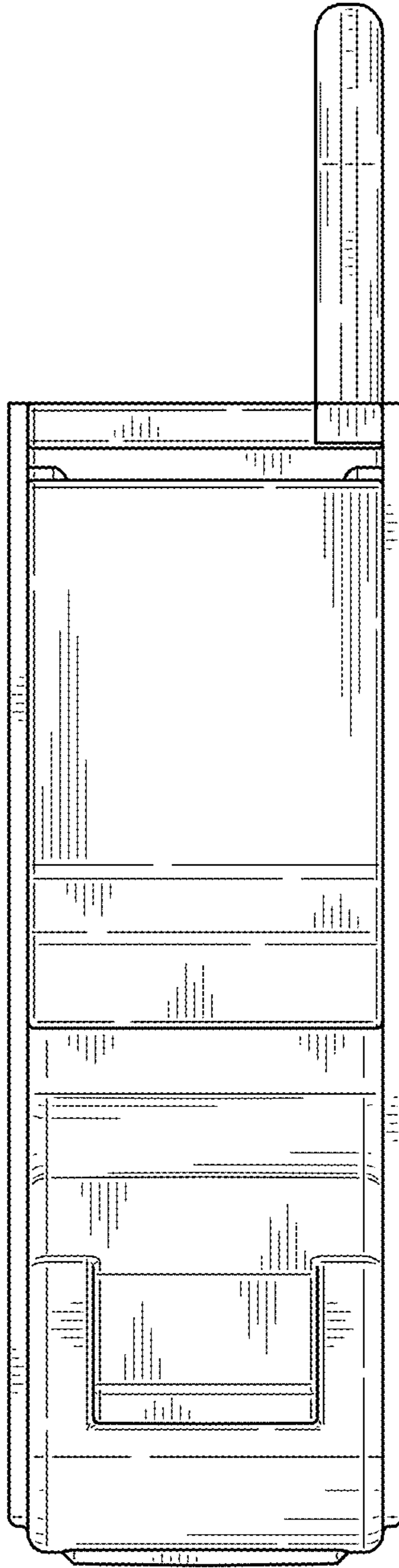


FIG. 8