



US00D845255S

(12) **United States Design Patent** (10) **Patent No.:** **US D845,255 S**  
**Fasano et al.** (45) **Date of Patent:** **\*\* Apr. 9, 2019**

(54) **ROCKER SWITCH WITH RECTANGULAR ILLUMINATION RING**

(71) Applicant: **Carling Technologies, Inc.**, Plainville, CT (US)

(72) Inventors: **Michael Fasano**, Watertown, CT (US); **Walter A. Sadowski**, Newington, CT (US); **Brian Thomas Stuckman**, Bristol, CT (US); **Sean McDonnell**, Plainville, CT (US)

(73) Assignee: **Carling Technologies, Inc.**, Plainville, CT (US)

(\*\*) Term: **15 Years**

(21) Appl. No.: **29/613,034**

(22) Filed: **Aug. 7, 2017**

(51) **LOC (11) Cl.** ..... **13-03**

(52) **U.S. Cl.**  
USPC ..... **D13/169**

(58) **Field of Classification Search**  
USPC ..... D13/169, 174, 177  
CPC ..... H01H 9/0271; H01H 9/16; H01H 9/18;  
H01H 9/161; H01H 9/181; H01H 9/182;  
H01H 23/00; H01H 23/02; H01H 23/025;  
H01H 23/04; H01H 23/14; H01H 23/145;  
(Continued)

(56) **References Cited**

U.S. PATENT DOCUMENTS

4,539,446 A *	9/1985	Raab	.....	H01H 15/06 200/16 C
5,213,204 A *	5/1993	Sommer	.....	H01H 23/04 200/303

(Continued)

*Primary Examiner* — Selina Sikder

(74) *Attorney, Agent, or Firm* — Forge IP, PLLC

(57) **CLAIM**

The ornamental design for a rocker switch with rectangular illumination ring, as shown and described.

**DESCRIPTION**

FIG. 1 is a front perspective view of a rocker switch with a rectangular illumination ring with the switch in neutral position in accordance with our new design, wherein the illuminating ring is not illuminated;

FIG. 2 is a side elevational view thereof; the other side elevational view being a mirror image thereof;

FIG. 3 is a top plan view thereof;

FIG. 4 is an end elevational view thereof; the other end being a mirror image thereof;

FIG. 5 is a front perspective view with the switch in a first on position;

FIG. 6 is a front perspective view with the switch in a second on position;

FIG. 7 is a side elevational view with the switch in the first on position;

FIG. 8 is a front perspective view of the rocker switch with the rectangular illumination ring with the switch in neutral position thereof, wherein the illuminating region is in illuminated state;

FIG. 9 is a side elevational view thereof; the other side elevational view being a mirror image thereof;

FIG. 10 is a top plan view thereof;

FIG. 11 is an end elevational view thereof; the other end being a mirror image thereof;

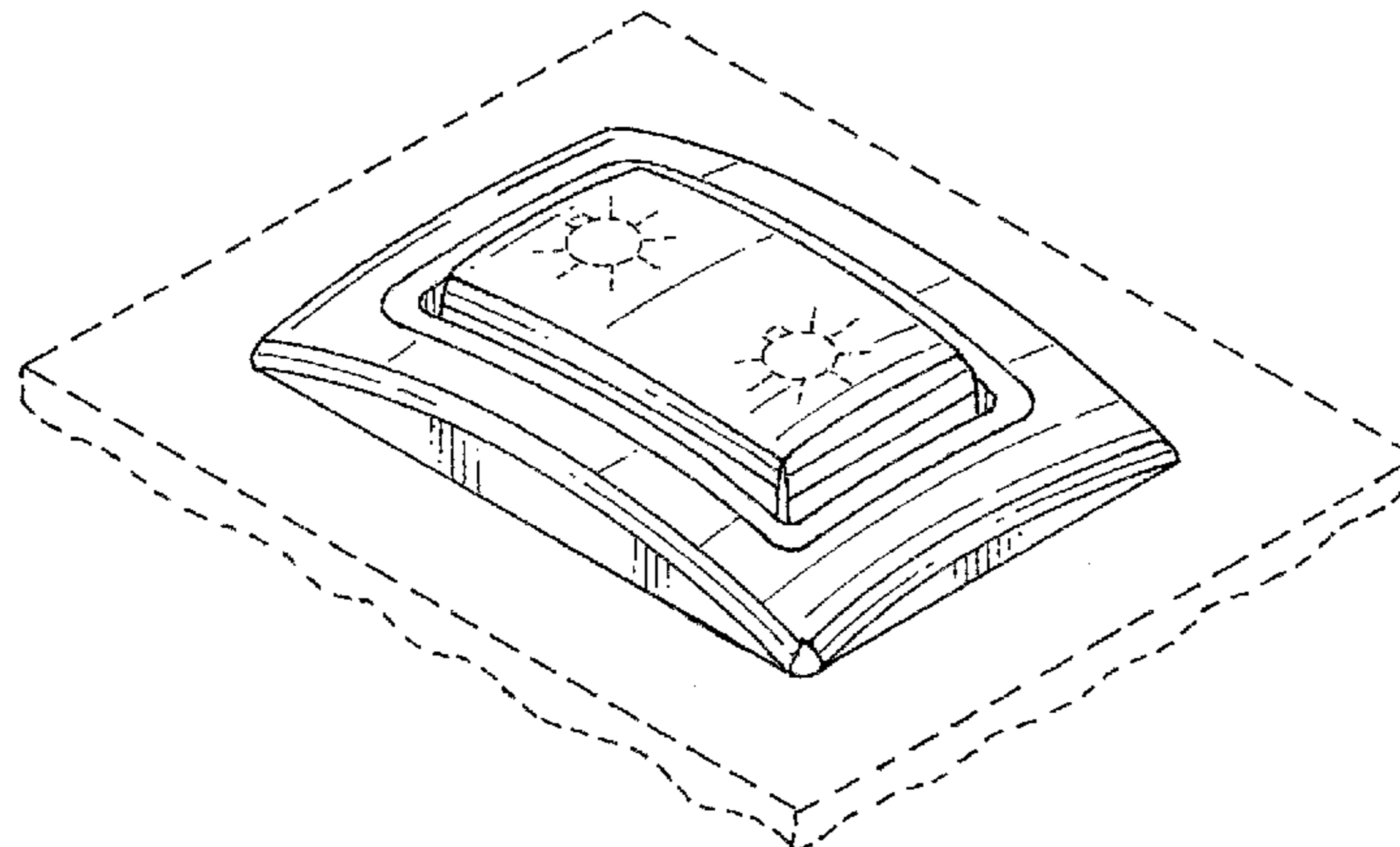
FIG. 12 is a front perspective view with the switch in a first on position;

FIG. 13 is a front perspective view with the switch in a second on position; and,

FIG. 14 is a side elevational view with the switch in the first on position.

The broken lines in FIGS. 1-14 are for the purpose of illustrating the boundary of the claimed design and form no part of the claimed design. The radiating lines in FIGS. 8-14 indicate illumination.

**1 Claim, 8 Drawing Sheets**



(58) **Field of Classification Search**

CPC .... H01H 23/148; H01H 23/205; H01H 23/30;  
H01H 13/04; H01H 13/14; H01H 13/20;  
H01H 13/30; H01H 19/635; H05B  
33/0803; H05B 33/0863; H05B 37/02;  
H05B 37/0254; H05B 37/0272; H05B  
39/02; H05B 39/04; H05B 39/085; H05B  
39/086; H05B 39/088

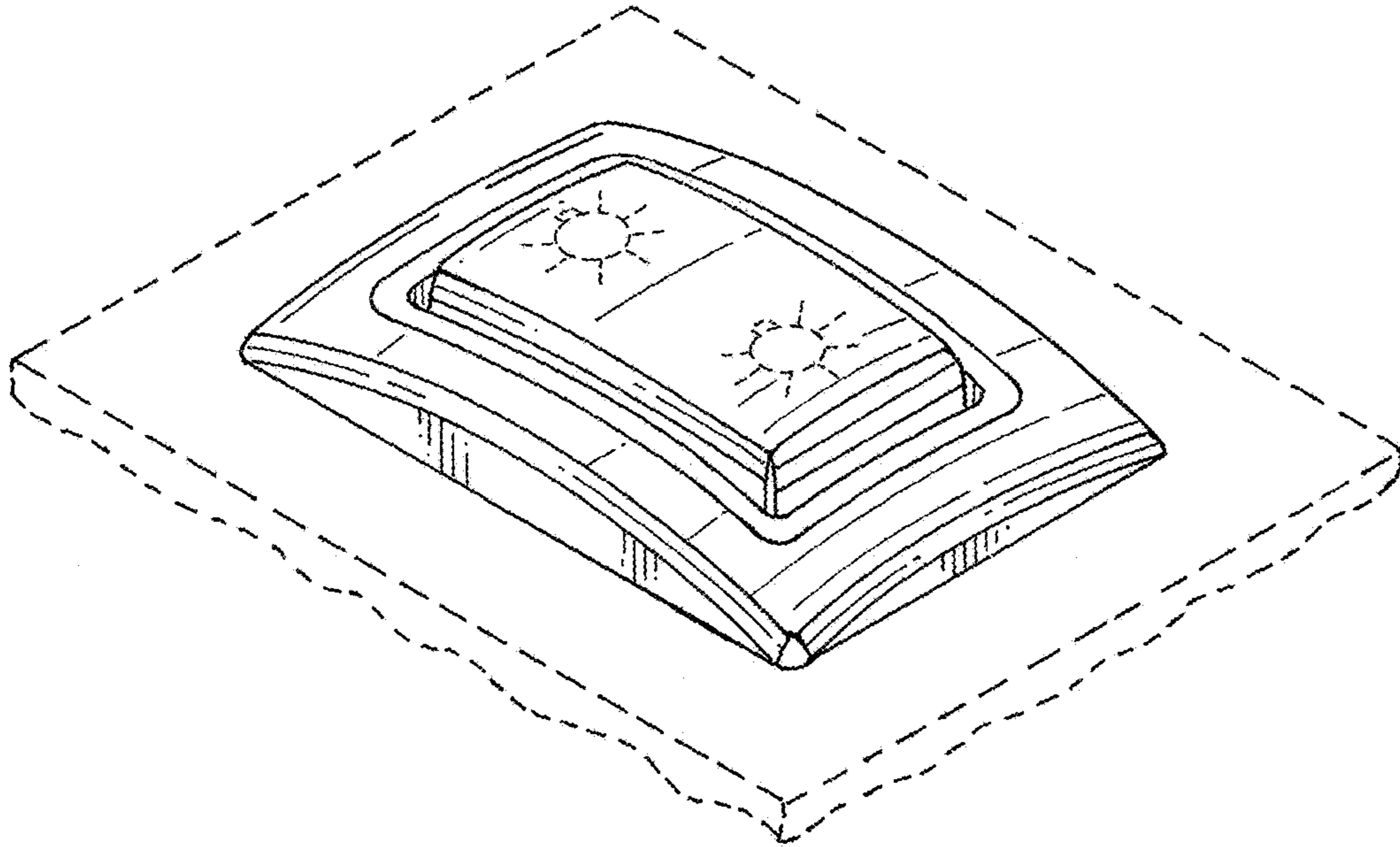
See application file for complete search history.

(56) **References Cited**

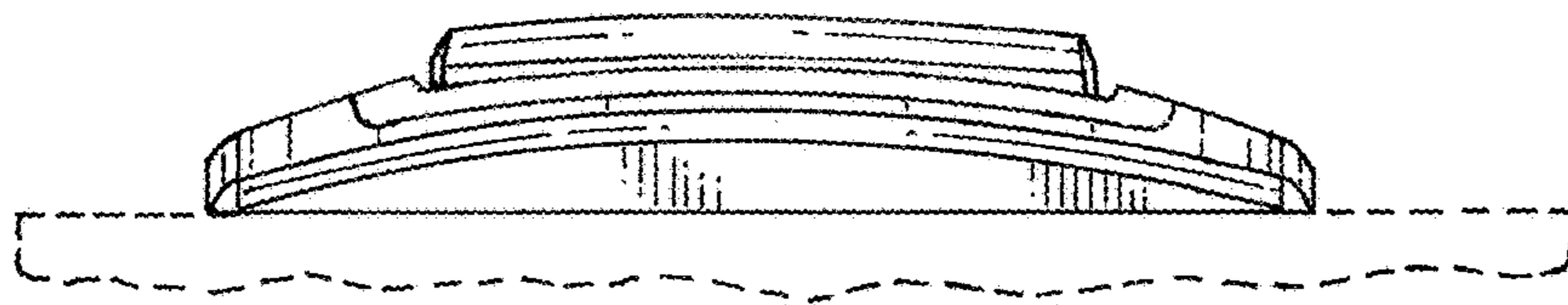
U.S. PATENT DOCUMENTS

6,794,592	B1 *	9/2004	Liu	.....	H01H 23/06 200/302.3
D589,463	S *	3/2009	Sykes	.....	D13/168
D658,138	S *	4/2012	Harada	.....	D13/169
8,674,221	B2 *	3/2014	Yang	.....	H01H 9/161 174/66
9,109,792	B2 *	8/2015	Yang	.....	H01H 9/182
9,478,370	B2 *	10/2016	Weiss	.....	H01H 23/06
D777,686	S *	1/2017	Huynh	.....	D13/169
9,916,631	B2 *	3/2018	Hill	.....	G08C 17/02
9,916,948	B2 *	3/2018	Brudzynsky	.....	H01H 23/025
2018/0130616	A1 *	5/2018	Fasano	.....	H01H 9/182

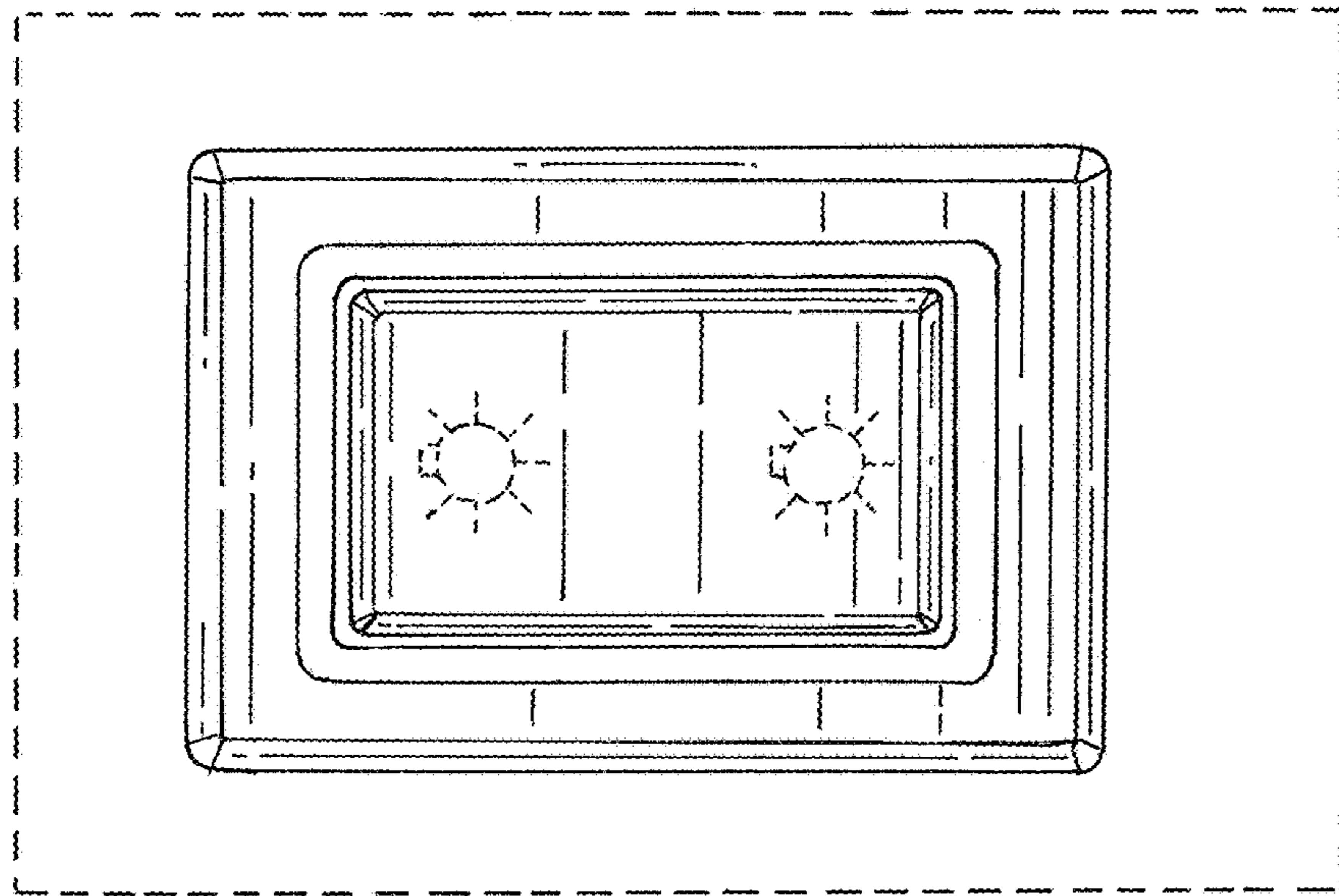
\* cited by examiner



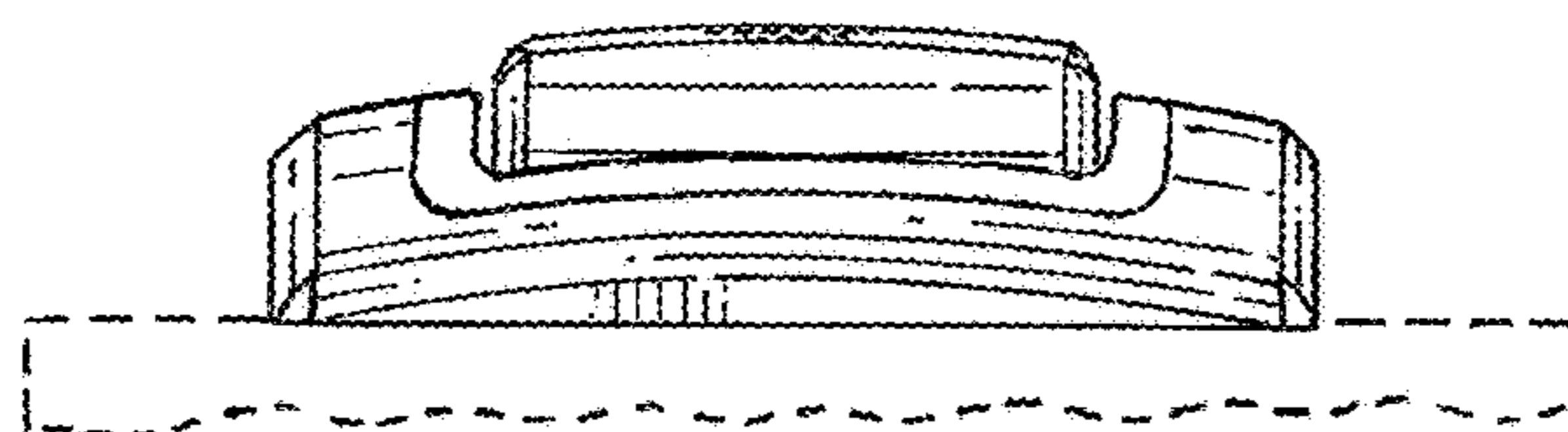
*FIG. 1*



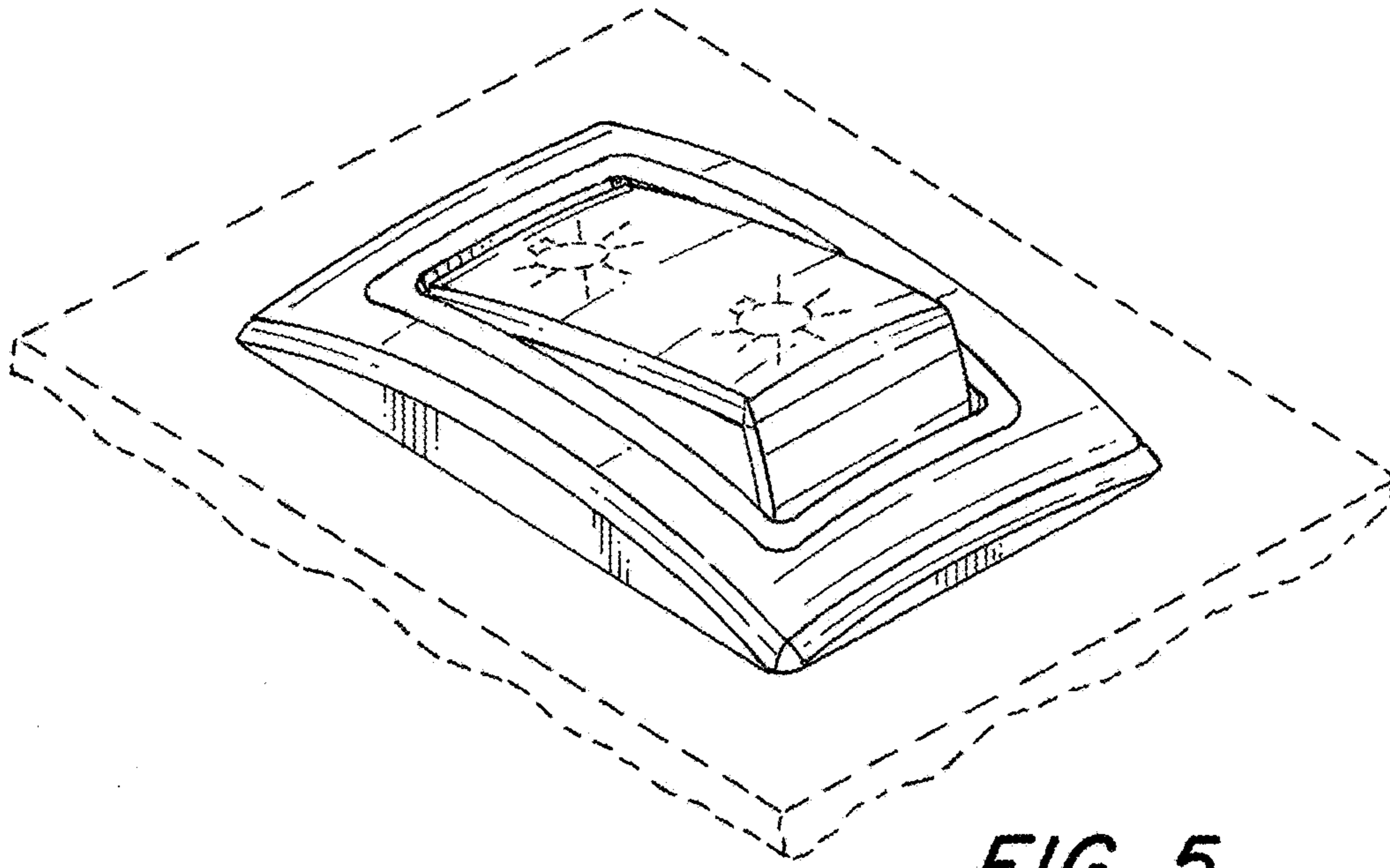
*FIG. 2*



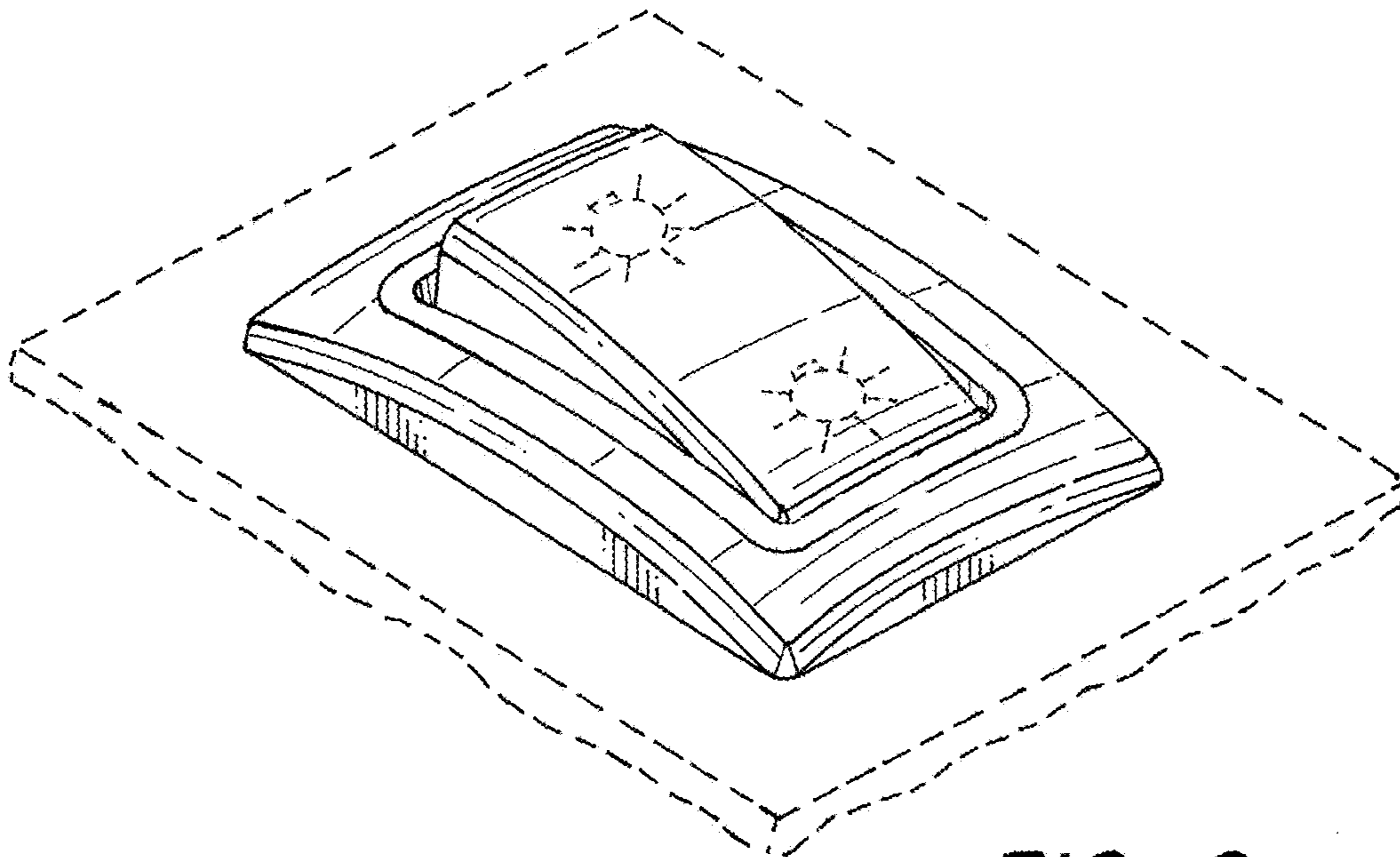
*FIG. 3*



*FIG. 4*



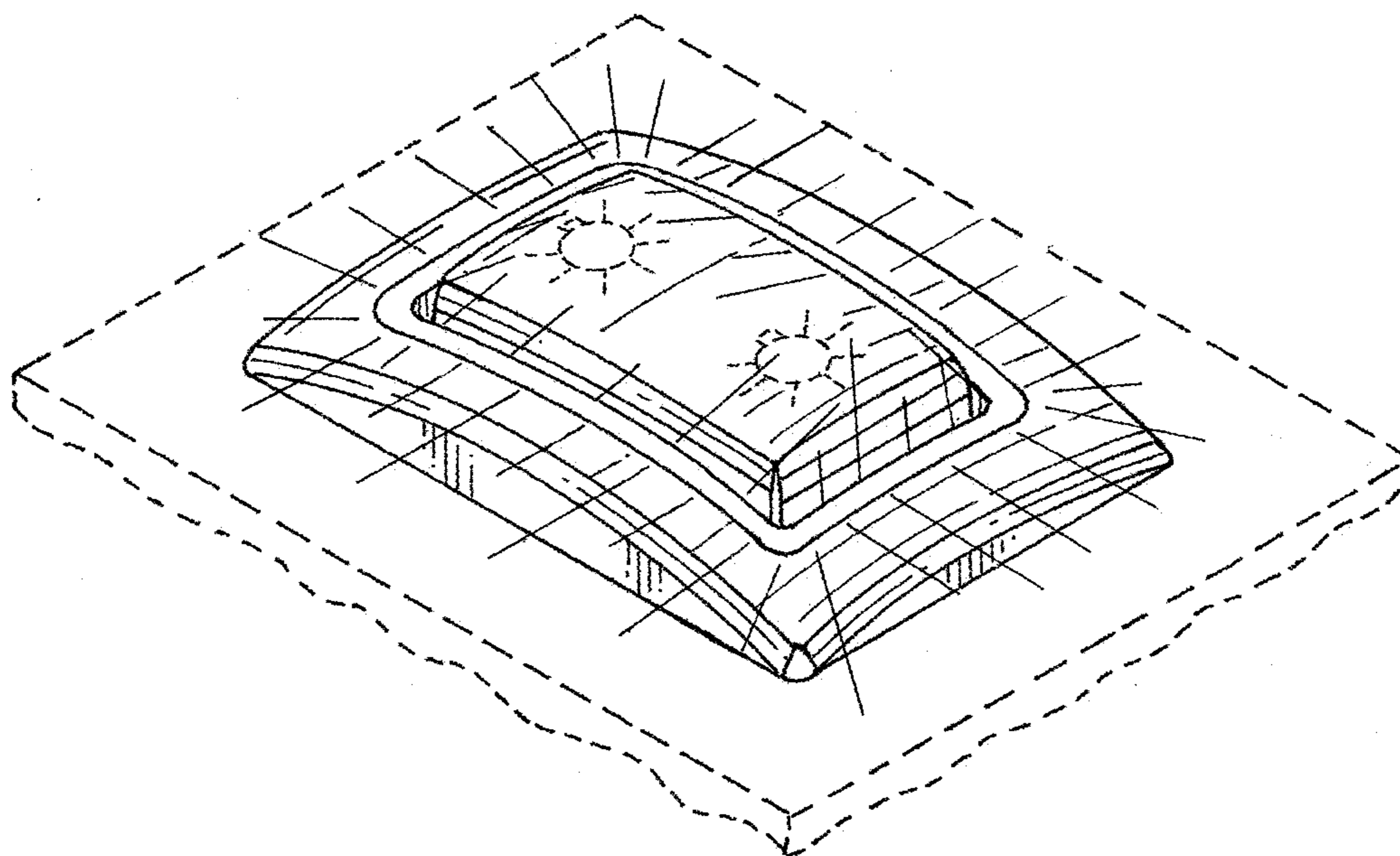
*FIG. 5*



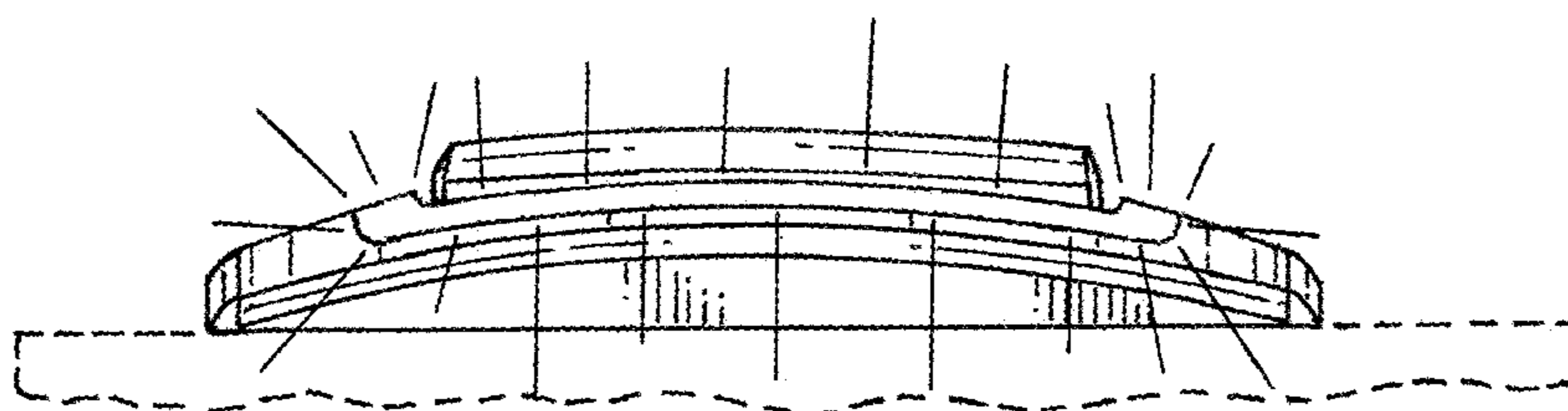
*FIG. 6*



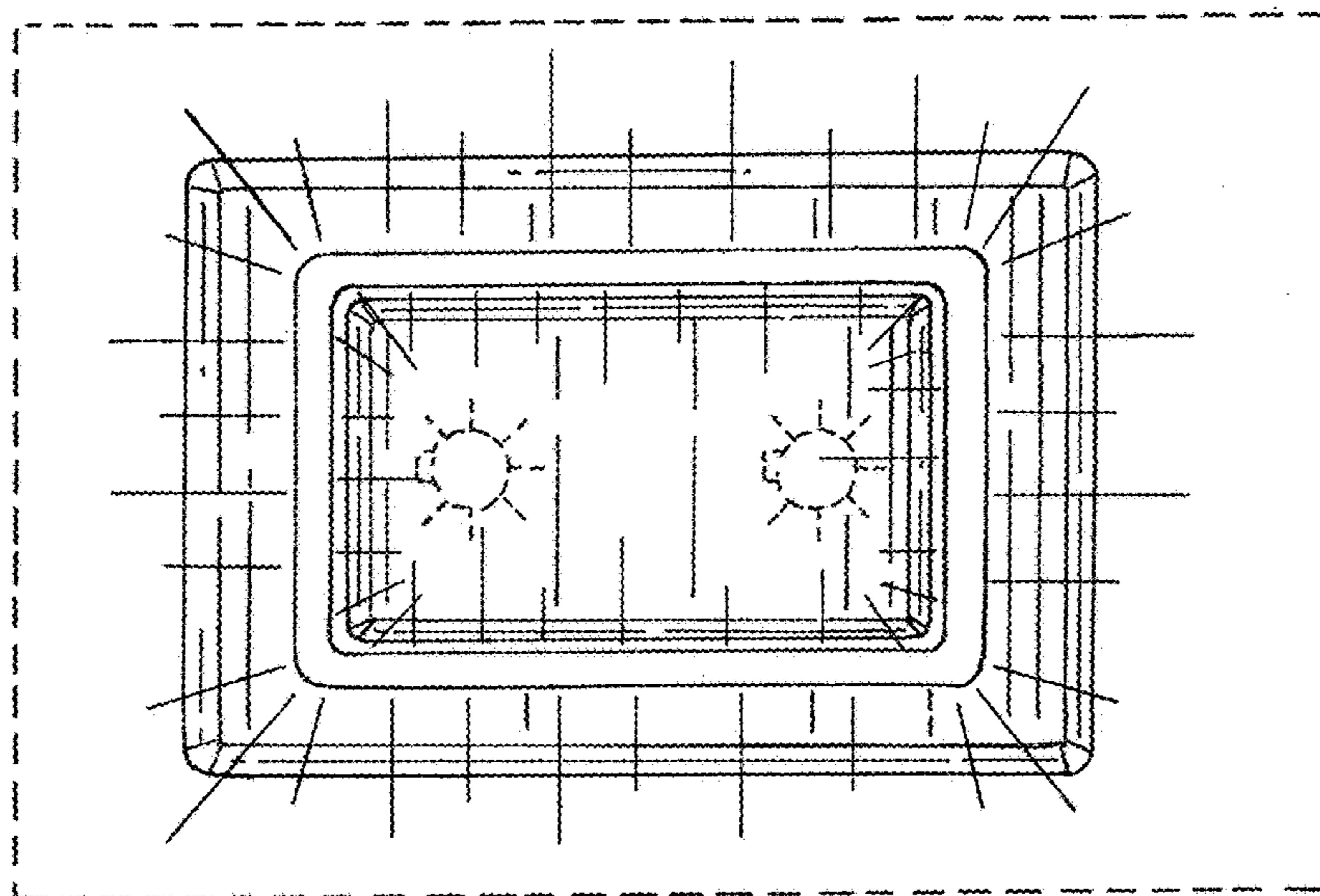
*FIG. 7*



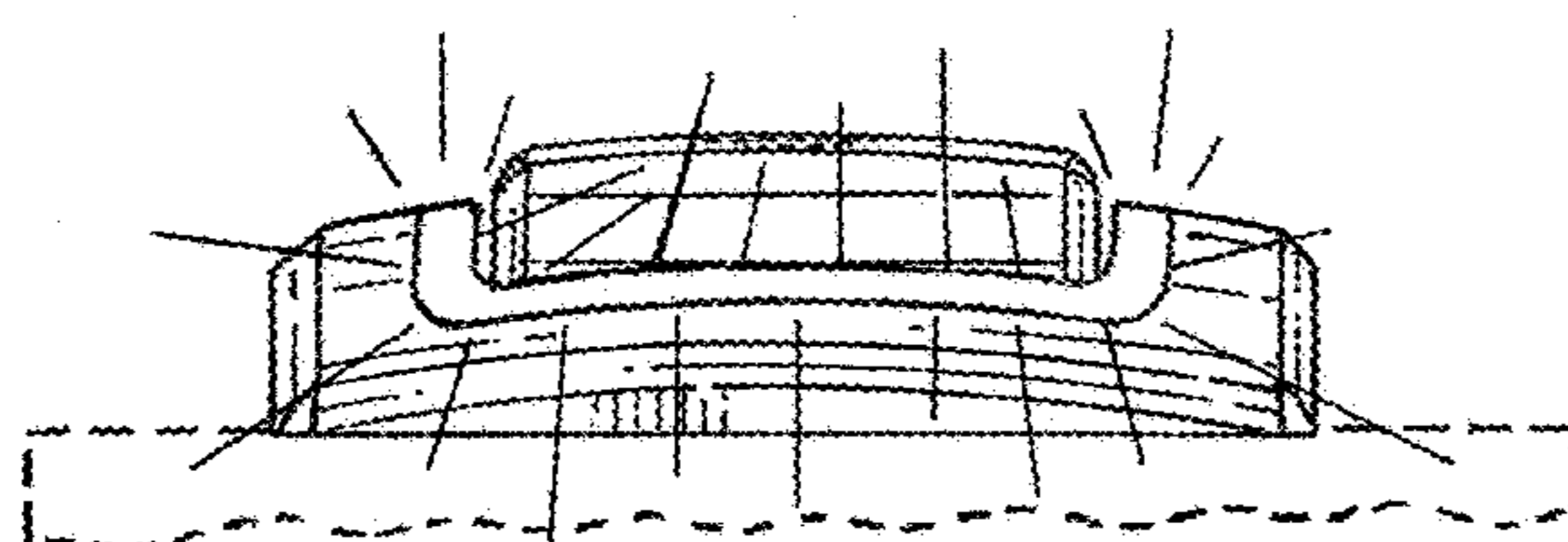
**FIG. 8**



**FIG. 9**

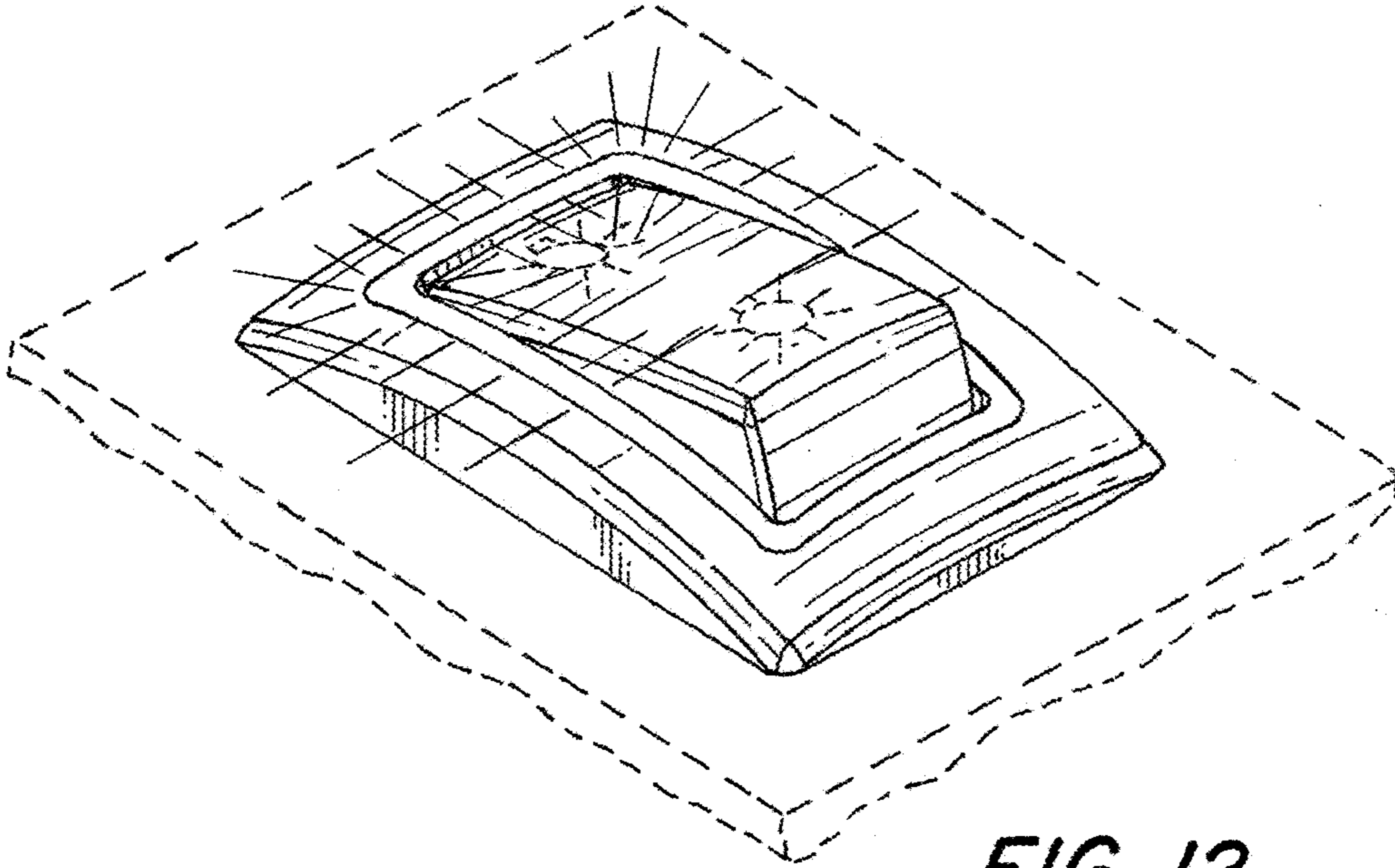


*FIG. 10*

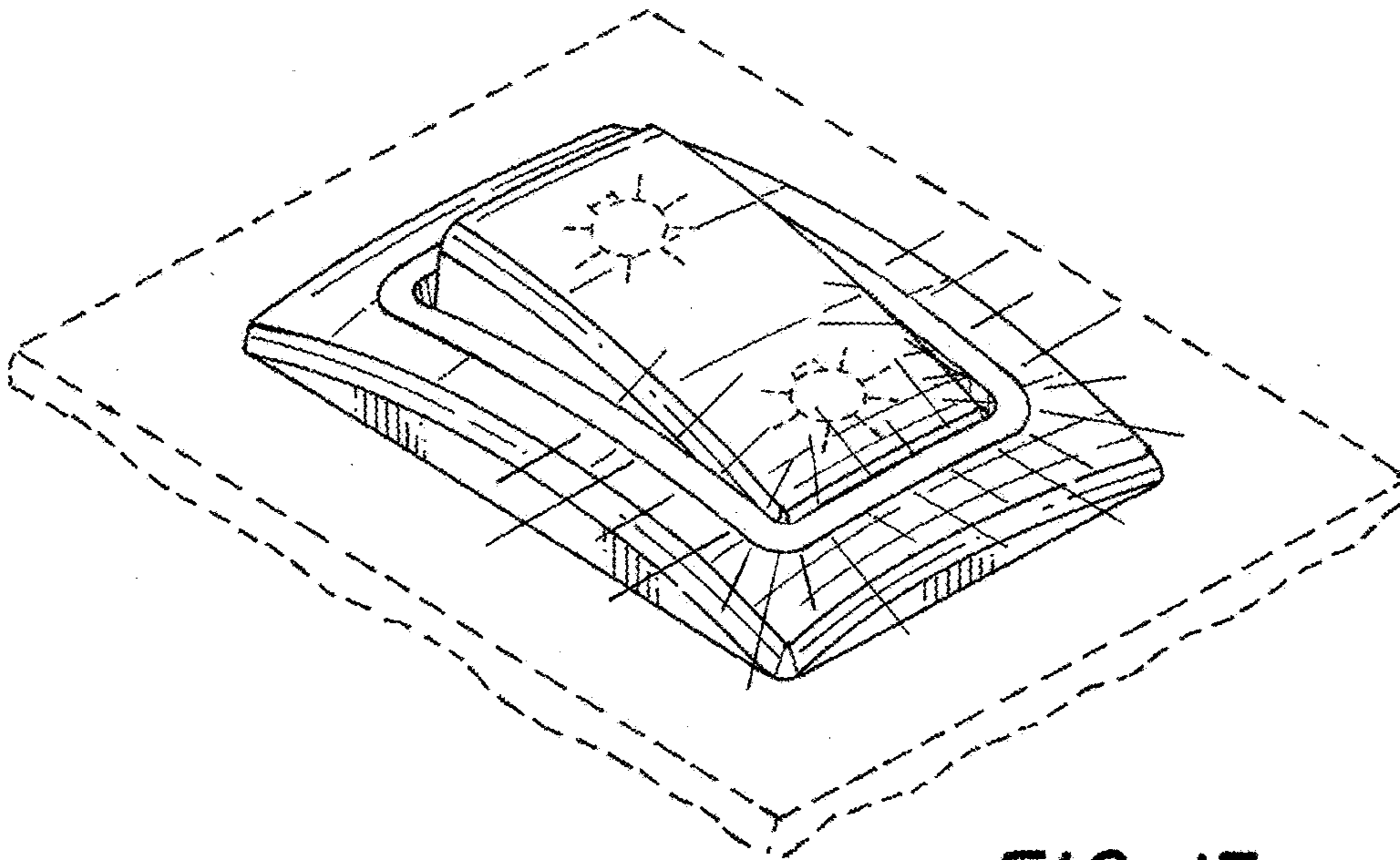


*FIG. 11*

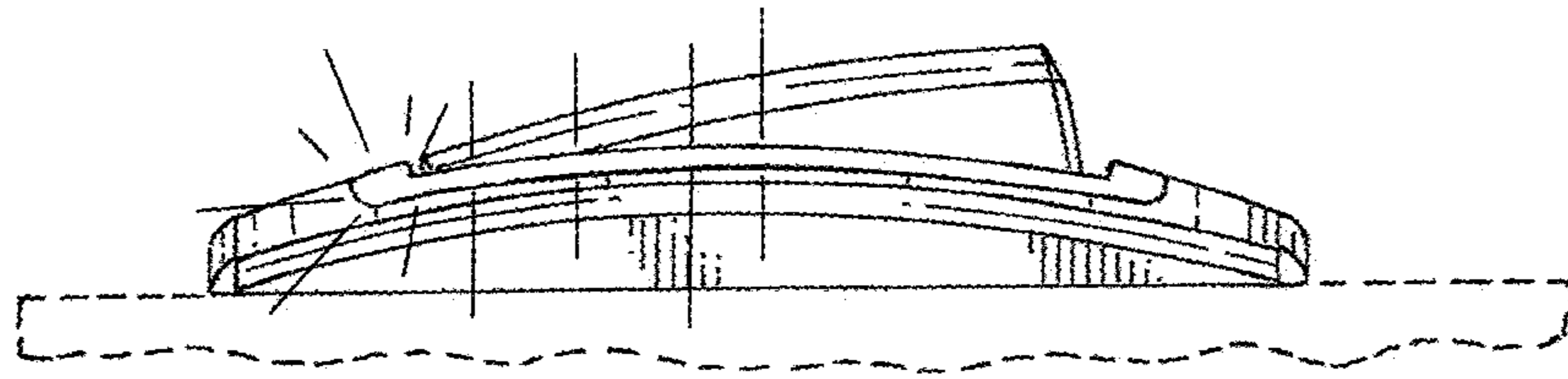




*FIG. 12*



*FIG. 13*



*FIG. 14*