



US00D845252S

(12) **United States Design Patent**  
**Arai**

(10) **Patent No.:** **US D845,252 S**

(45) **Date of Patent:** **\*\* Apr. 9, 2019**

(54) **SWITCH**

FOREIGN PATENT DOCUMENTS

(71) Applicants: **CITIZEN ELECTRONICS CO., LTD.**, Yamanashi-ken (JP); **CITIZEN WATCH CO., LTD.**, Tokyo (JP)

JP D1393891 8/2010  
JP D1467746 4/2013

(Continued)

(72) Inventor: **Takahiro Arai**, Yamanashi-ken (JP)

*Primary Examiner* — Selina Sikder

(73) Assignees: **CITIZEN ELECTRONICS CO., LTD.**, Yamanashi-Ken (JP); **CITIZEN WATCH CO., LTD.**, Tokyo (JP)

(74) *Attorney, Agent, or Firm* — Wenderoth, Lind & Ponack, L.L.P.

(\*\*) Term: **15 Years**

(57) **CLAIM**

(21) Appl. No.: **29/614,564**

The ornamental design for a switch, as shown and described.

(22) Filed: **Aug. 21, 2017**

(30) **Foreign Application Priority Data**

**DESCRIPTION**

Feb. 24, 2017 (JP) ..... 2017-003572  
Feb. 24, 2017 (JP) ..... 2017-003574  
Aug. 7, 2017 (JP) ..... 2017-016952  
Aug. 7, 2017 (JP) ..... 2017-016953

(51) **LOC (11) Cl.** ..... **13-03**

(52) **U.S. Cl.**  
USPC ..... **D13/158**; D13/171

(58) **Field of Classification Search**  
USPC ..... D13/158, 160, 171, 180  
CPC ..... H01H 13/02; H01H 13/04; H01H 13/14;  
H01H 13/48; H01H 13/50; H01H 13/7006; H01H 13/705; H01H 13/85;  
H01H 5/30; H01H 13/83  
See application file for complete search history.

FIG. 1 is a front, top, right side perspective view of a first embodiment of a switch showing my new design;  
FIG. 2 is a rear, bottom, left side perspective view thereof;  
FIG. 3 is a front view thereof, the rear view being identical to the front view;  
FIG. 4 is a left side view thereof, the right side view being identical to the left side view;  
FIG. 5 is a top plan view thereof;  
FIG. 6 is a bottom plan view thereof;  
FIG. 7 is a front, top, right side perspective view of a second embodiment of a switch showing our new design;  
FIG. 8 is a rear, bottom, left side perspective view thereof;  
FIG. 9 is a front view thereof, the rear view being identical to the front view;  
FIG. 10 is a left side view thereof, the right side view being identical to the left side view;  
FIG. 11 is a top plan view thereof; and,  
FIG. 12 is a bottom plan view thereof.  
In the drawings, the broken lines depict portions of the switch that form no part of the claimed design.

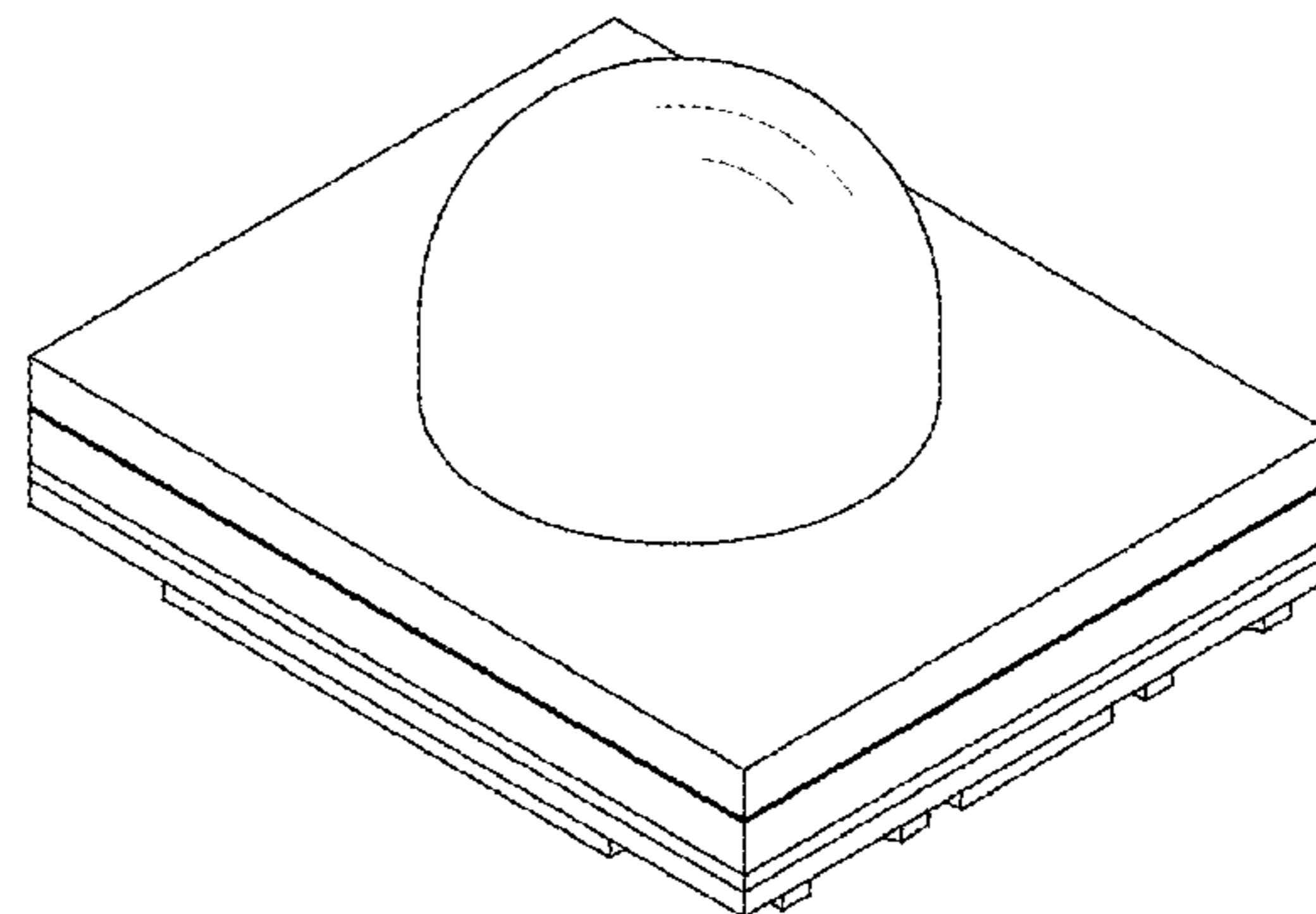
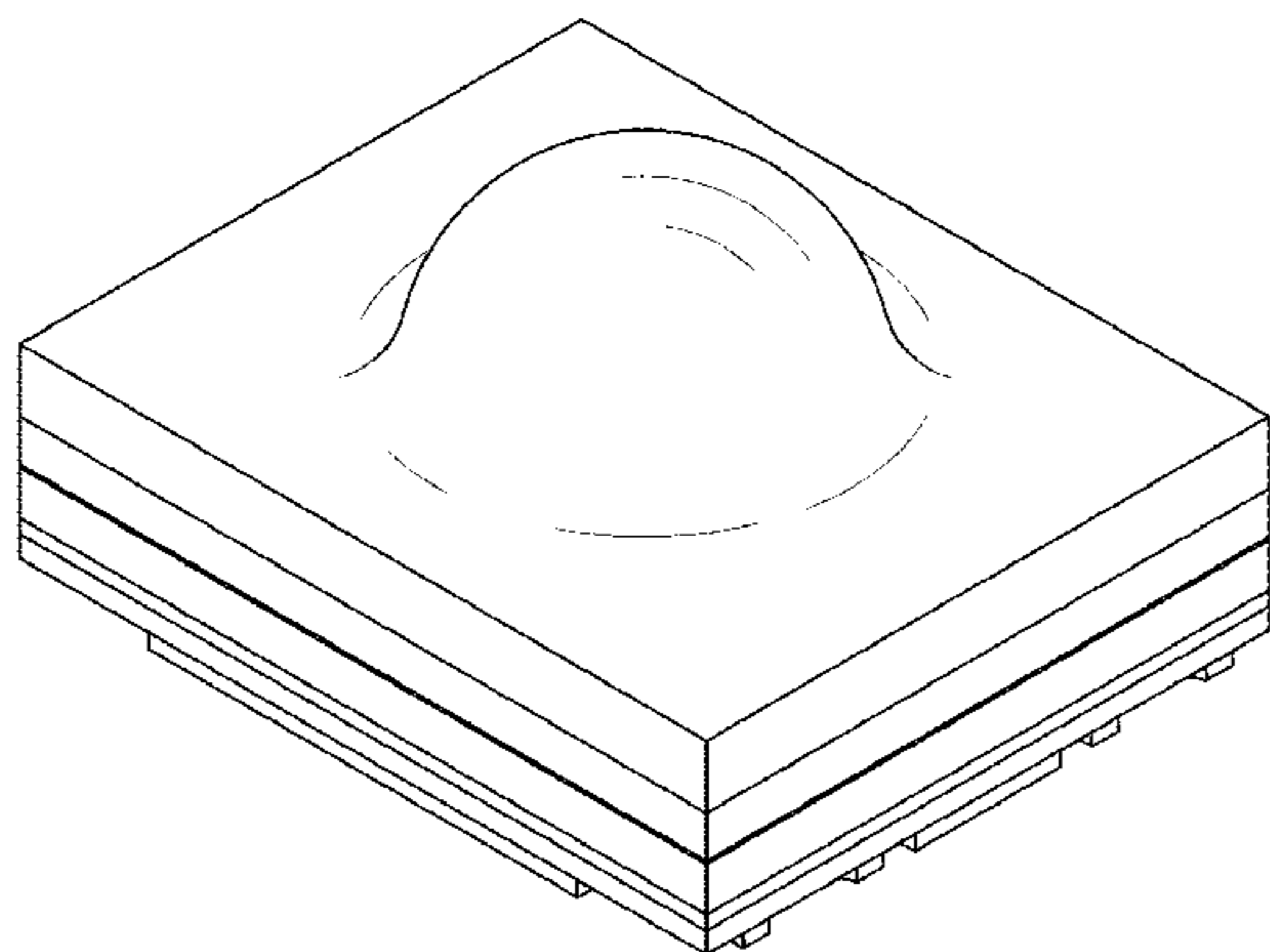
(56) **References Cited**

U.S. PATENT DOCUMENTS

5,828,016 A \* 10/1998 Grannan ..... H01H 13/48  
200/16 R  
5,898,147 A \* 4/1999 Domzalski ..... H01H 13/48  
200/1 B  
D537,797 S \* 3/2007 Yanai ..... D13/171

(Continued)

**1 Claim, 12 Drawing Sheets**



(56)

**References Cited**

U.S. PATENT DOCUMENTS

7,300,326 B2 \* 11/2007 Tanaka ..... B29C 33/0055  
 257/E33.059  
 D576,574 S \* 9/2008 Kobayakawa ..... D13/180  
 7,557,320 B1 \* 7/2009 Crooijmans ..... H01H 13/85  
 200/406  
 D680,503 S \* 4/2013 Kawashima ..... D13/171  
 D688,636 S \* 8/2013 Oishi ..... D13/171  
 8,759,704 B2 \* 6/2014 Inamoto ..... H01H 13/85  
 200/406  
 D714,230 S \* 9/2014 Sun ..... D13/171  
 D719,924 S \* 12/2014 Ueno ..... D13/171  
 D741,819 S 10/2015 Ueno et al.  
 D812,574 S \* 3/2018 Amano ..... D13/158  
 2004/0201987 A1 \* 10/2004 Omata ..... H01L 33/486  
 362/230  
 2008/0047808 A1 \* 2/2008 Tan ..... H01H 13/14  
 200/1 R  
 2012/0111712 A1 \* 5/2012 Cour ..... H01H 13/48  
 200/511  
 2016/0293361 A1 \* 10/2016 Osako ..... H01H 13/52  
 2018/0005777 A1 \* 1/2018 Yashima ..... H01H 13/14  
 2018/0218854 A1 \* 8/2018 Miyamoto ..... H01H 13/04  
 2018/0218856 A1 \* 8/2018 Ito ..... H01H 13/02

FOREIGN PATENT DOCUMENTS

JP D1480212 9/2013  
 JP D1487382 12/2016

\* cited by examiner

FIG. 1

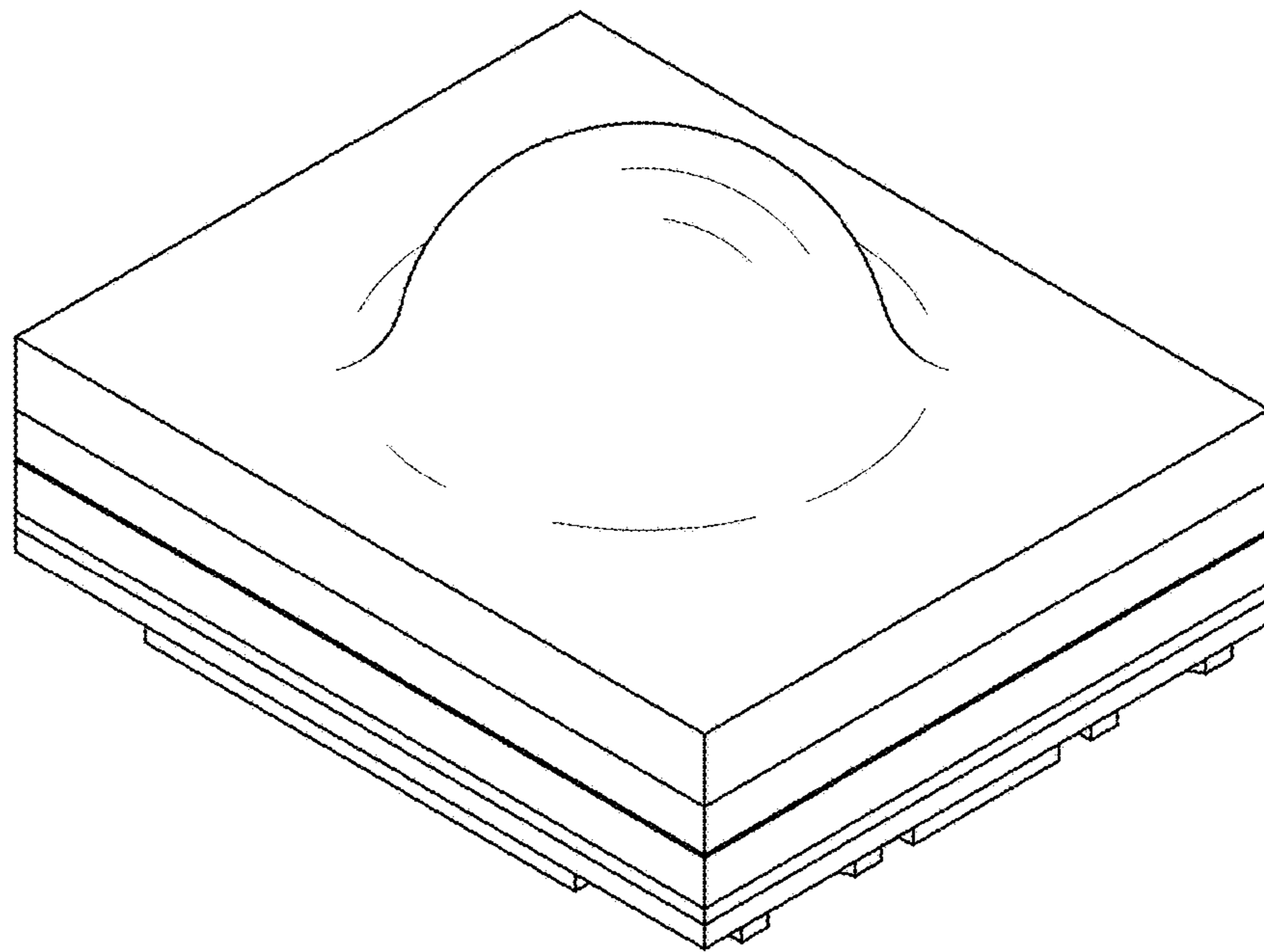


FIG. 2

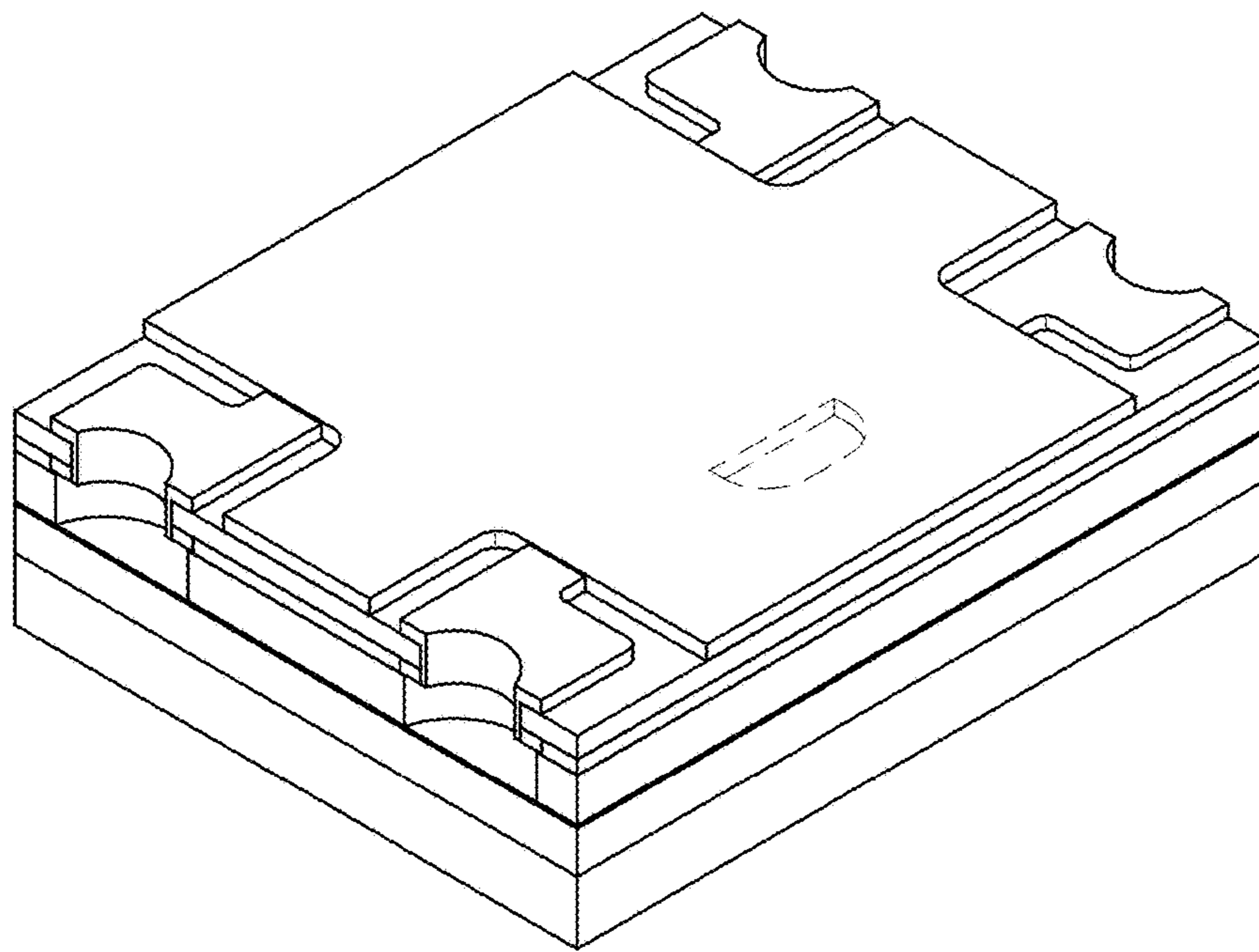


FIG. 3

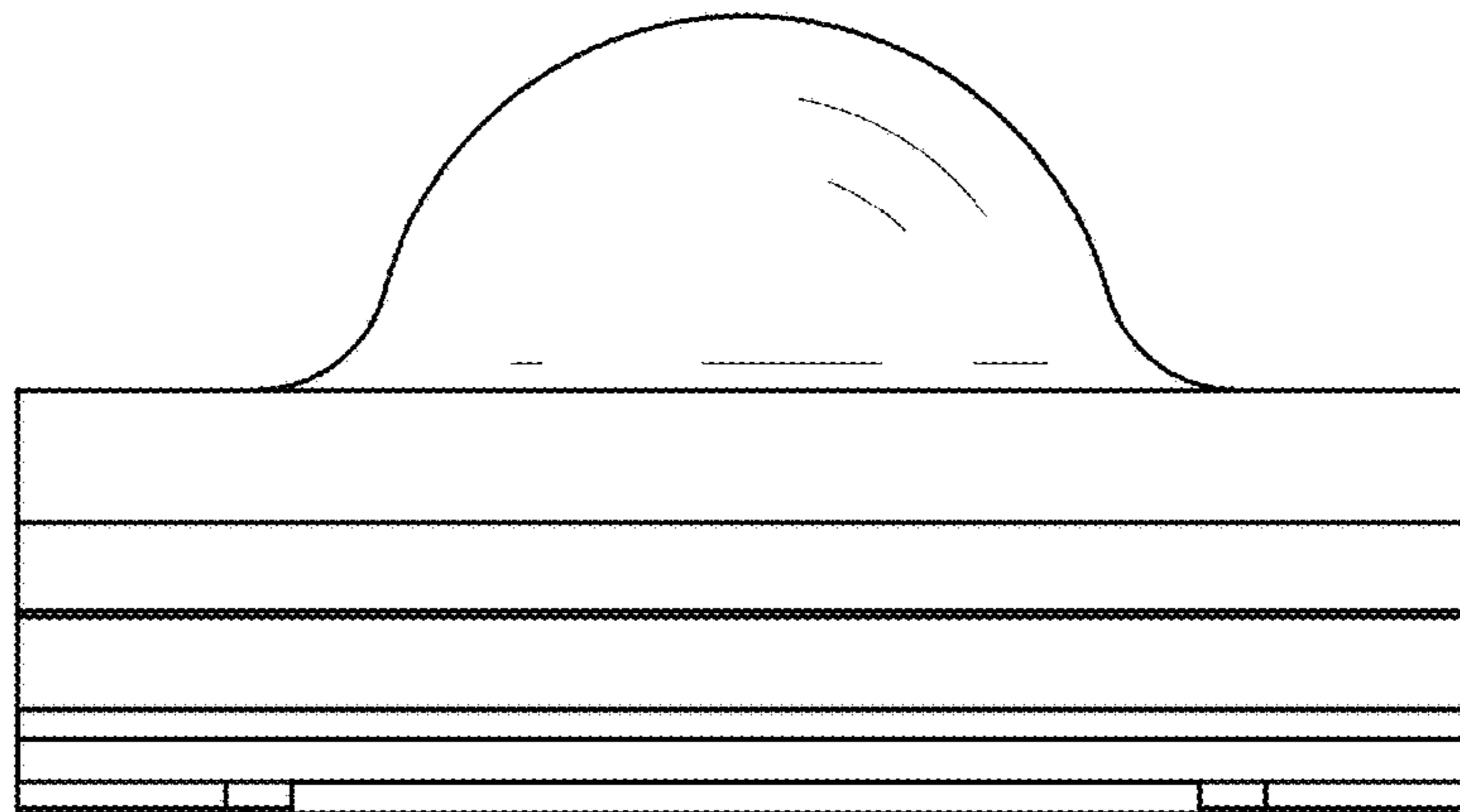


FIG. 4

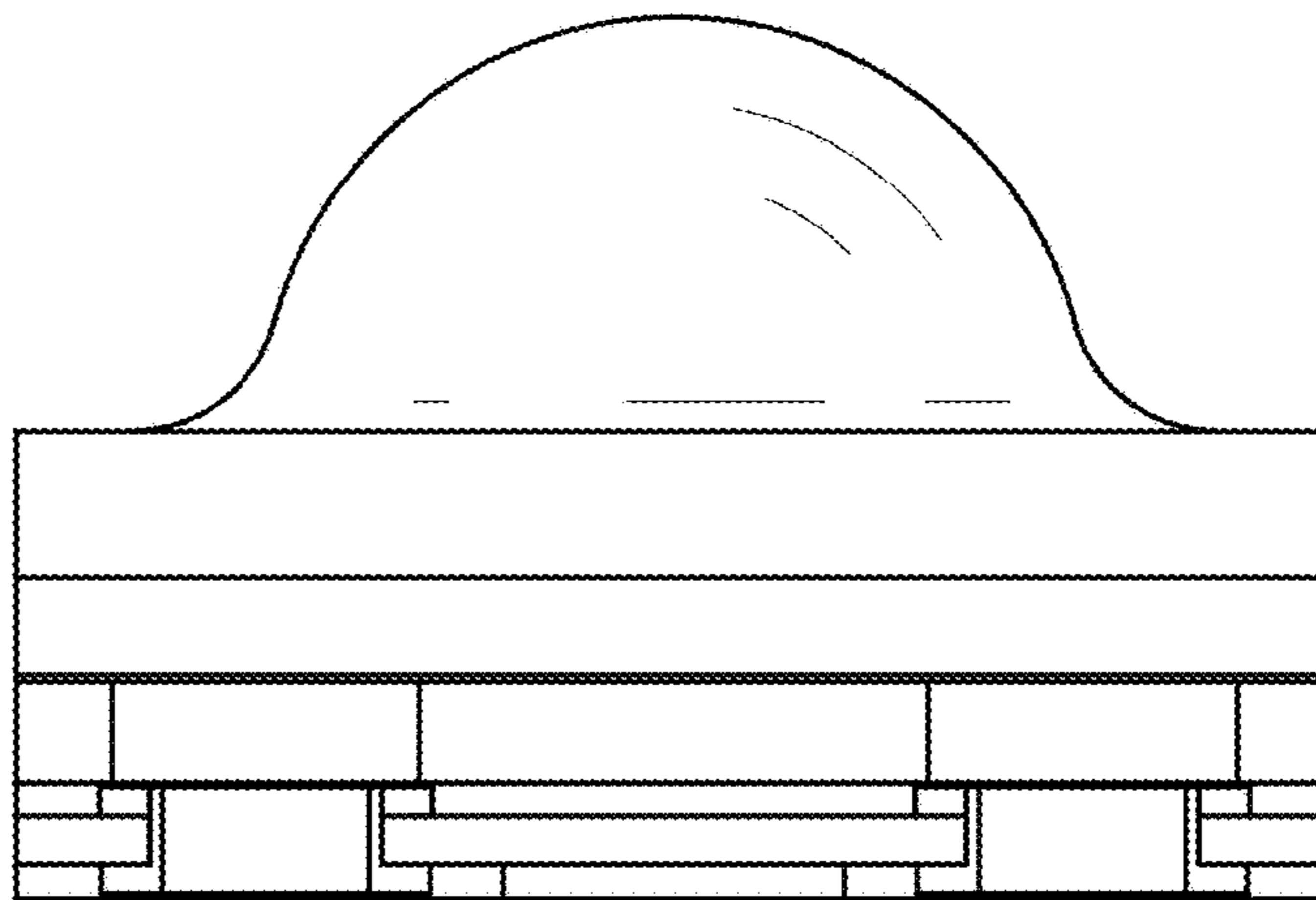


FIG. 5

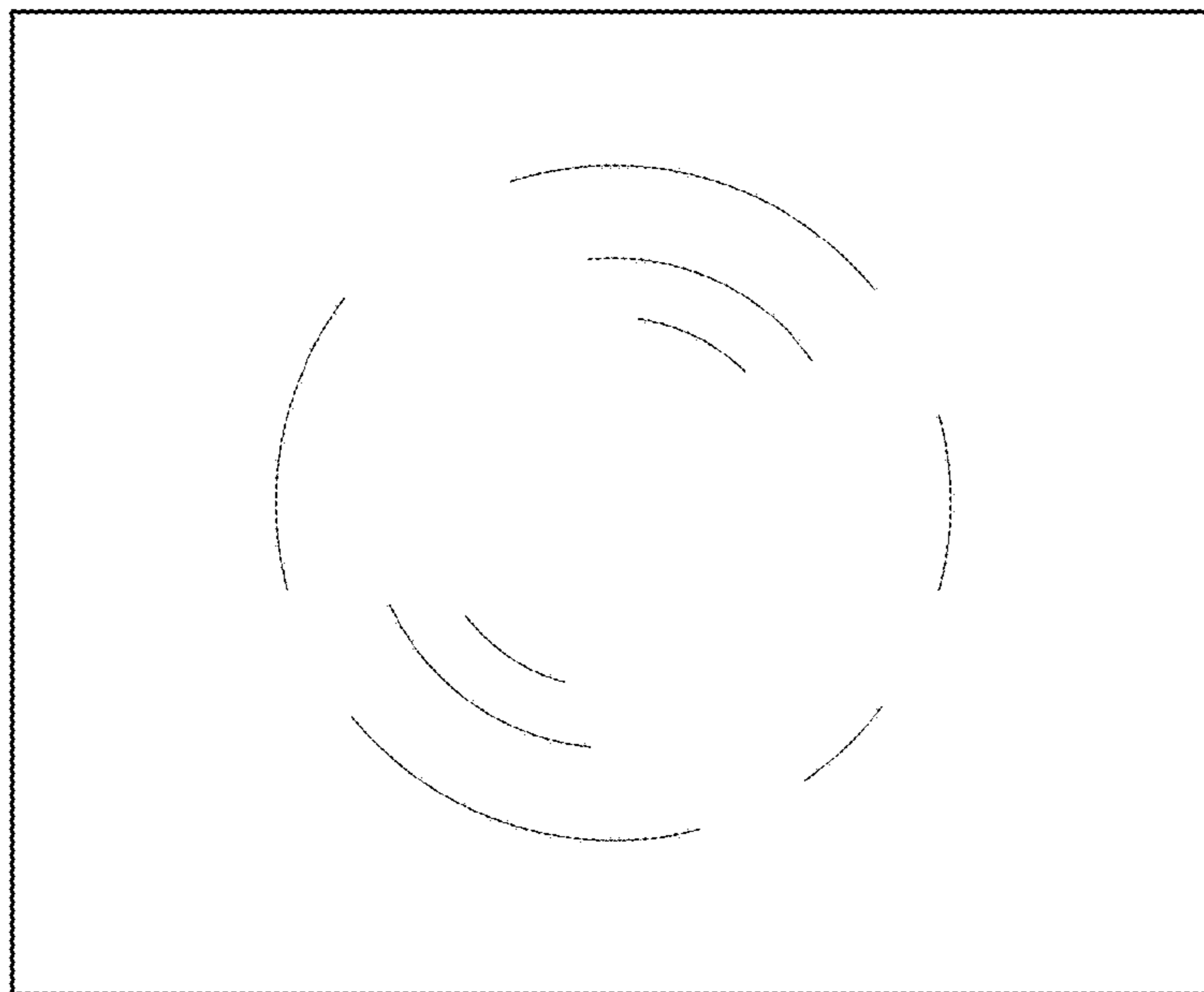


FIG. 6

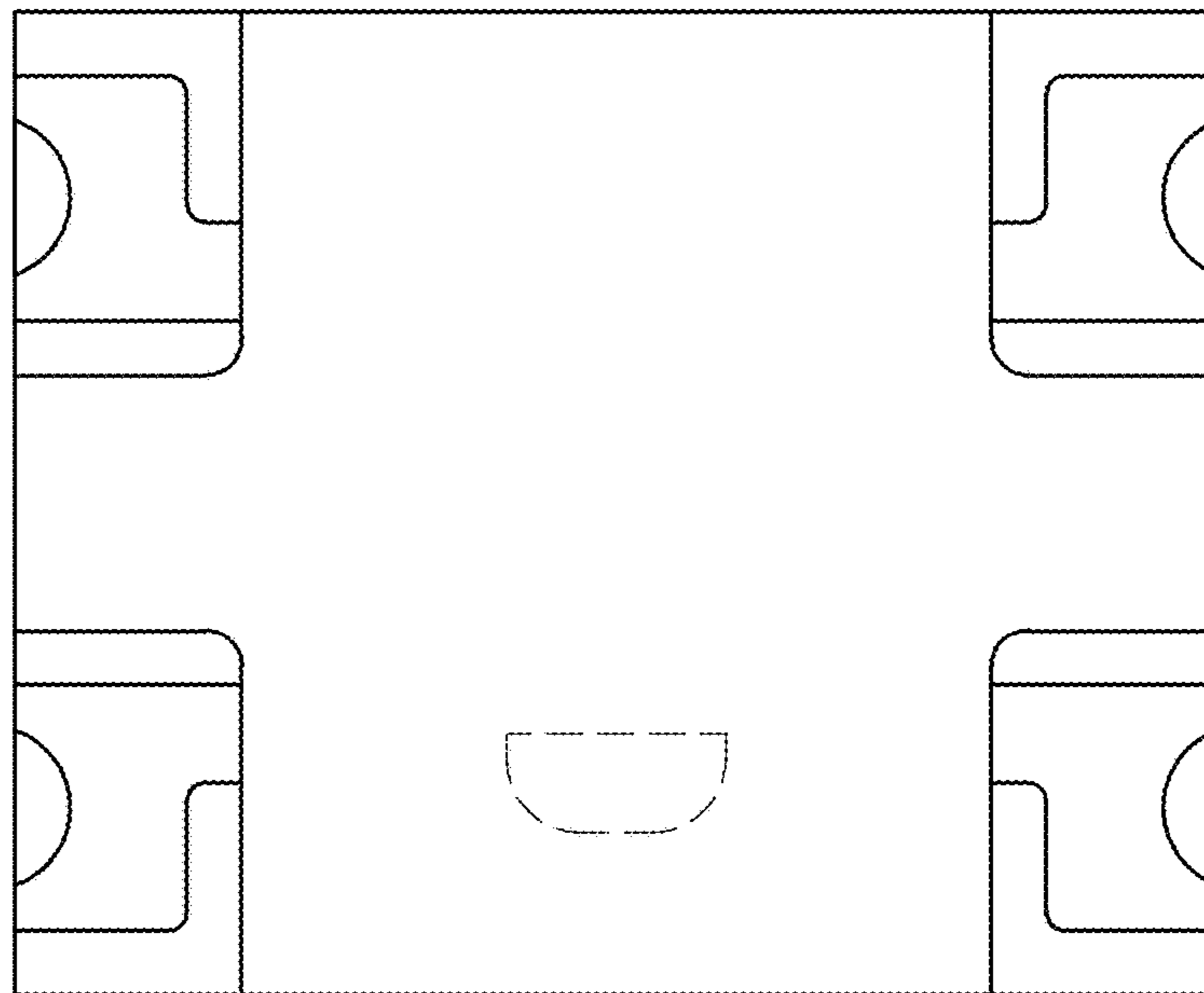




FIG. 7

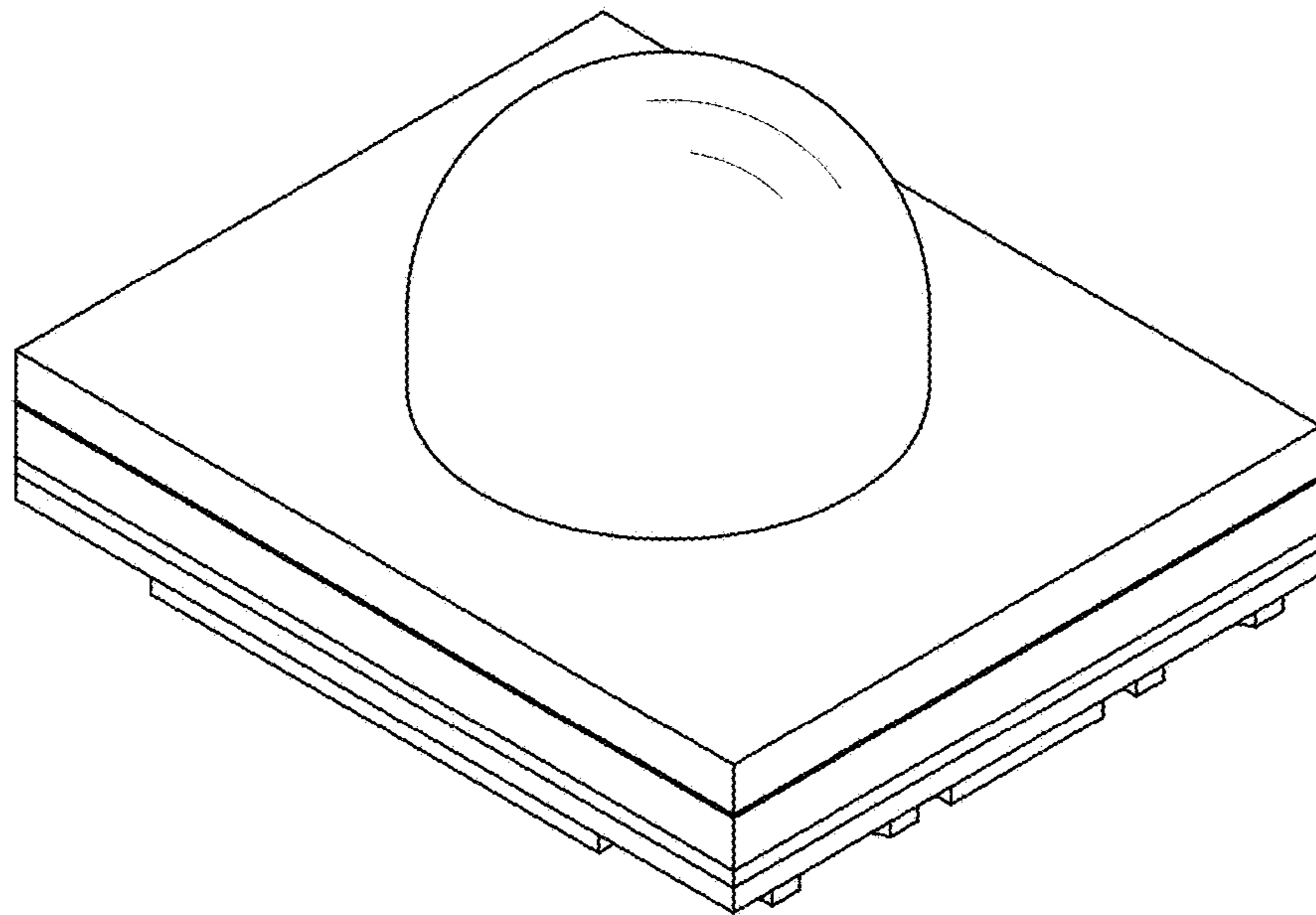


FIG. 8

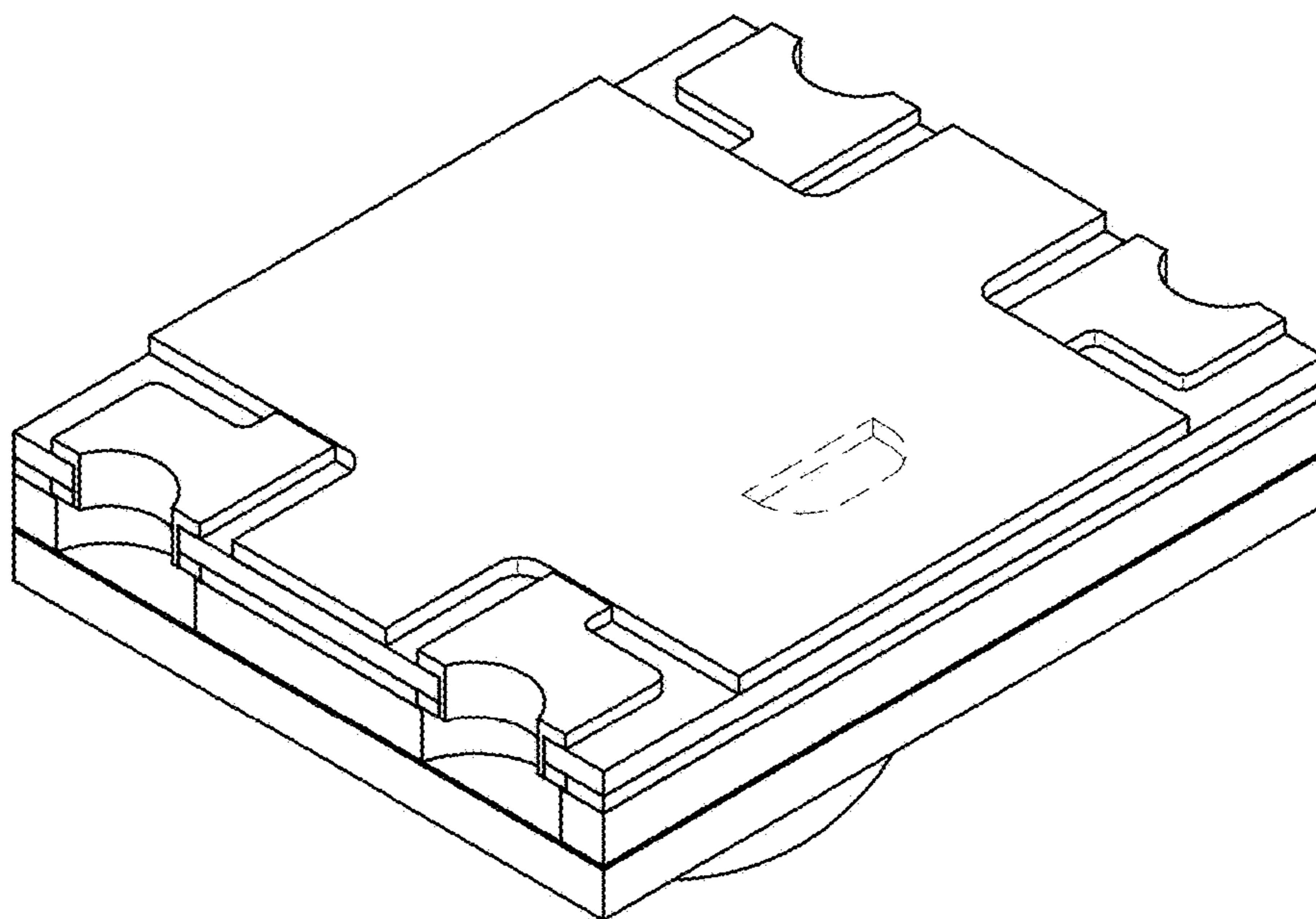


FIG. 9

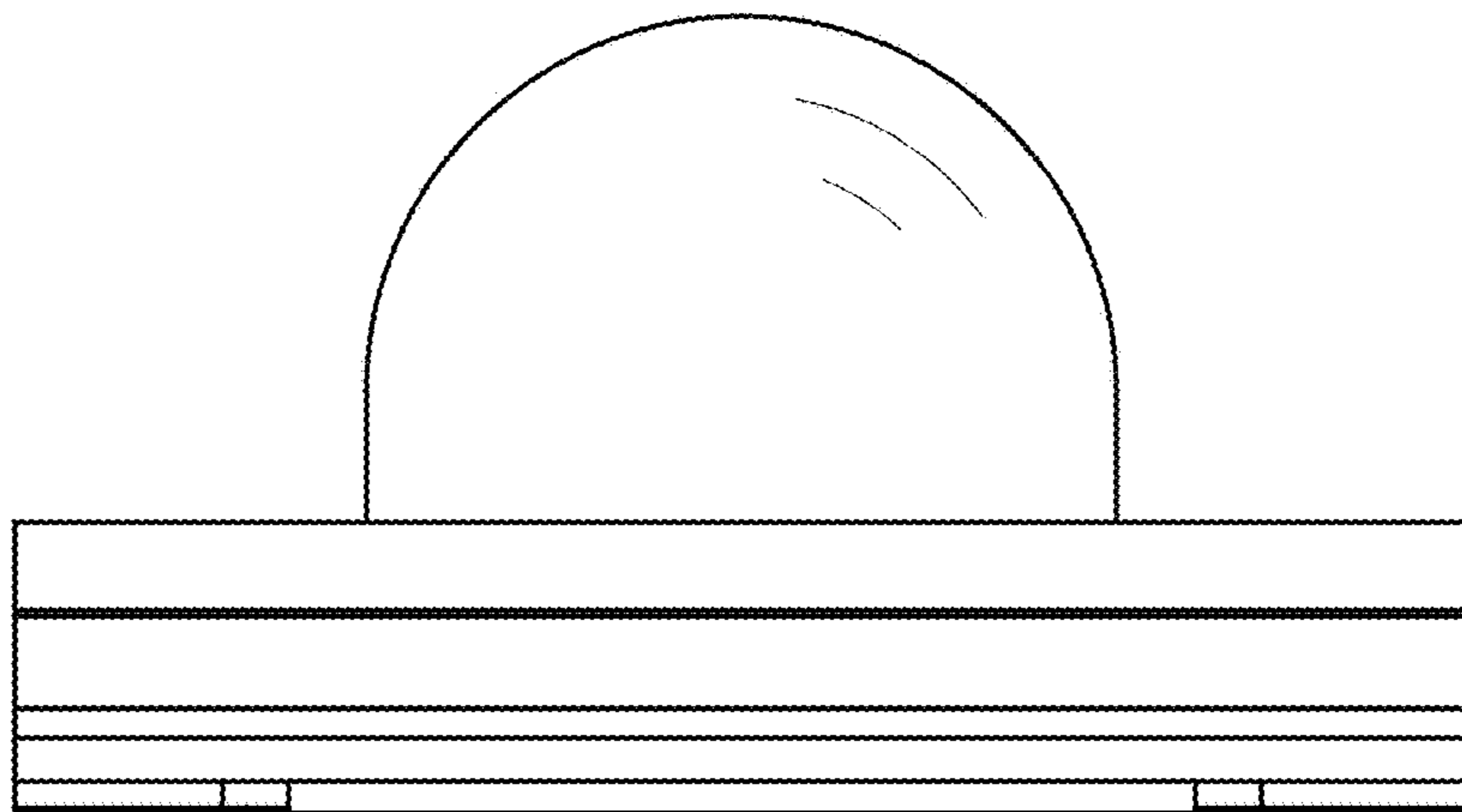


FIG. 10

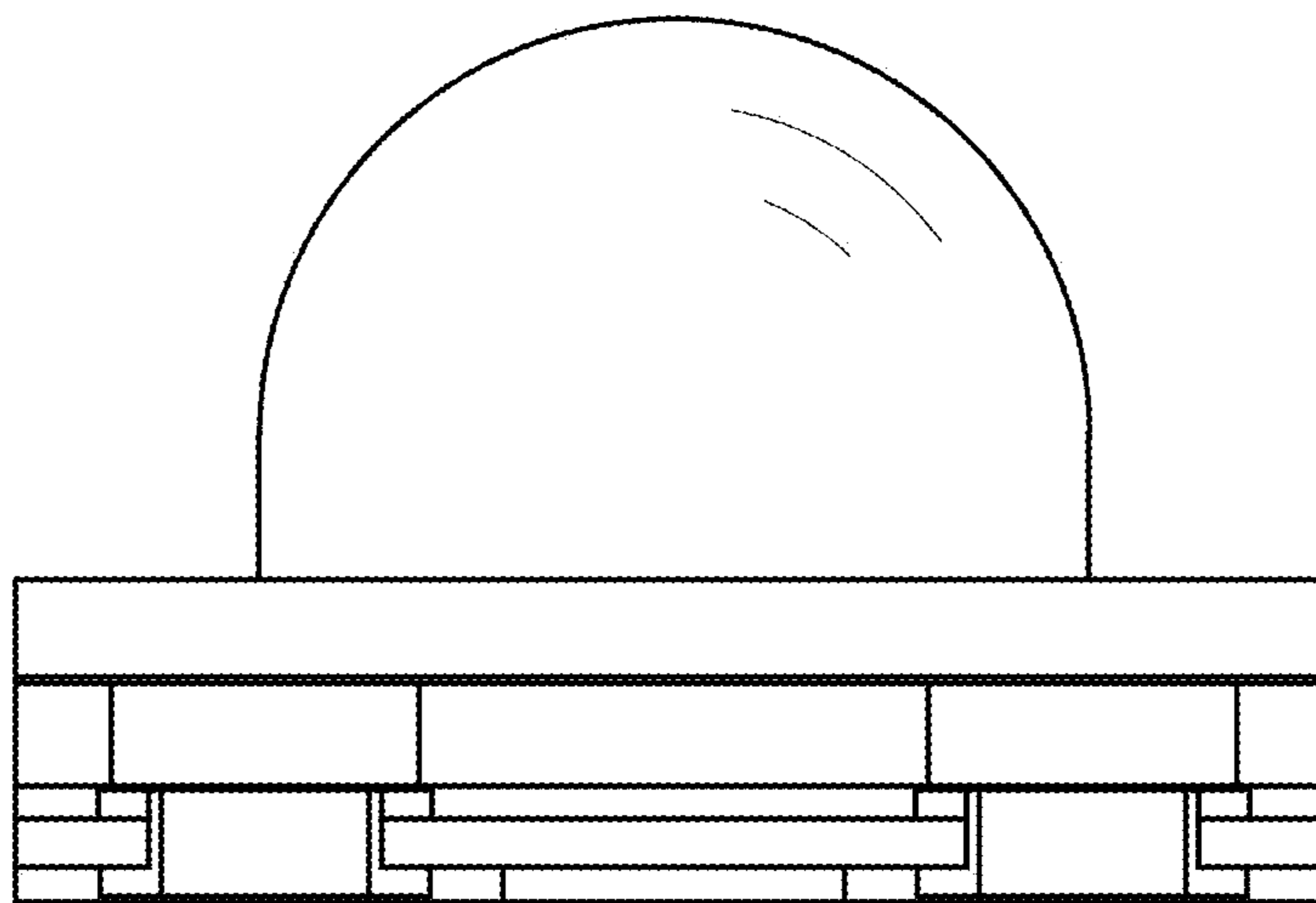


FIG. 11

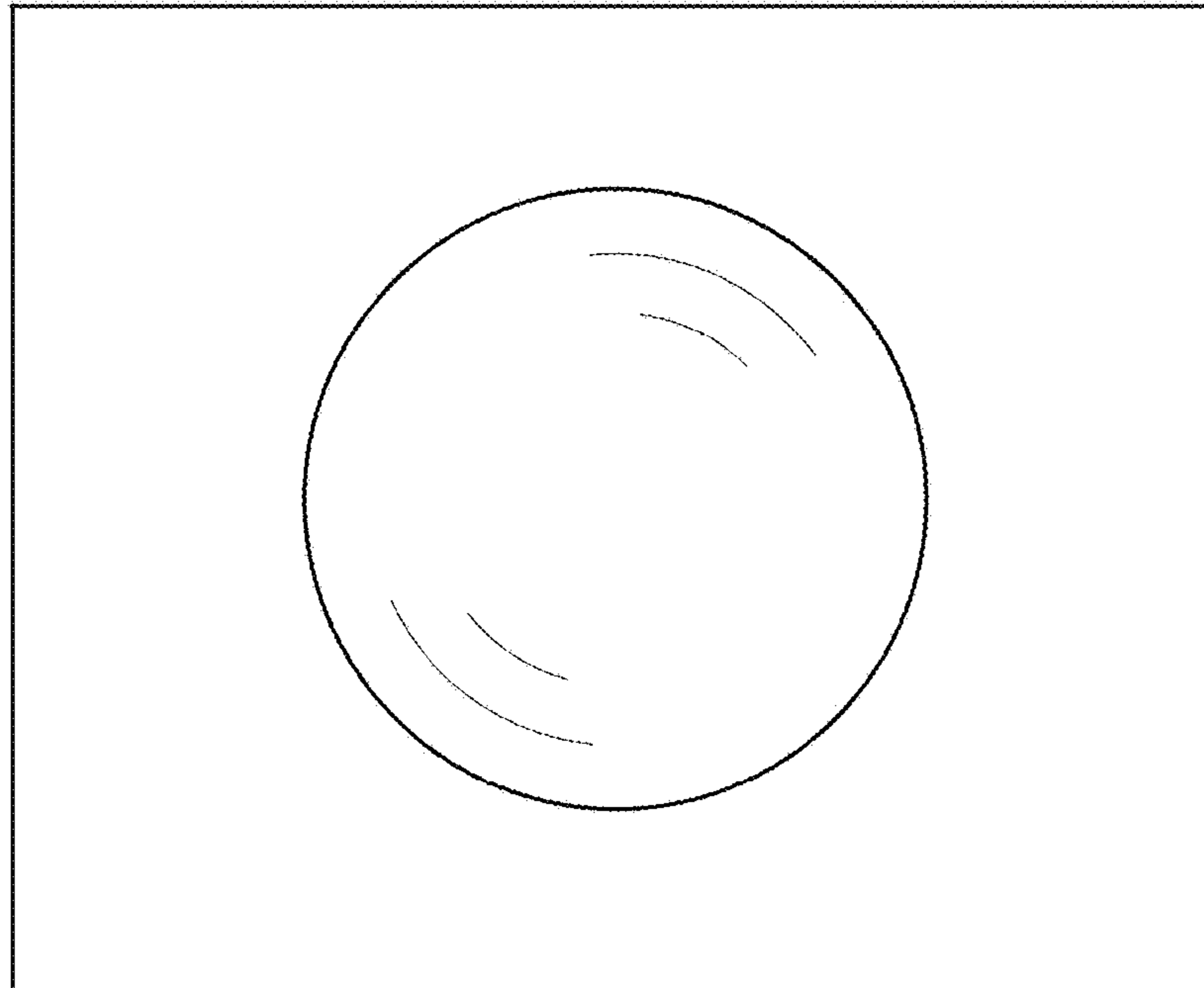


FIG. 12

