



US00D845249S

(12) **United States Design Patent**
Sato

(10) **Patent No.:** **US D845,249 S**
(45) **Date of Patent:** **** Apr. 9, 2019**

(54) **ELECTRICAL CONNECTOR**
(71) Applicant: **Japan Aviation Electronics Industry, Limited**, Tokyo (JP)
(72) Inventor: **Yukiko Sato**, Tokyo (JP)
(73) Assignee: **JAPAN AVIATION ELECTRONICS INDUSTRY, LIMITED**, Tokyo (JP)
(**) Term: **15 Years**

(21) Appl. No.: **29/642,355**
(22) Filed: **Mar. 29, 2018**

(30) **Foreign Application Priority Data**
Oct. 13, 2017 (JP) 2017-022674
(51) **LOC (11) Cl.** **13-03**
(52) **U.S. Cl.**
USPC **D13/147**; D13/154
(58) **Field of Classification Search**
USPC D13/110, 118, 123, 133, 146, 147, 154, D13/156, 173, 177, 184, 199; D8/349, D8/364, 382
CPC . H01R 9/00; H01R 9/03; H01R 12/00; H01R 12/58; H01R 12/585; H01R 12/72; H01R 13/00; H01R 13/05; H01R 13/436; H01R 13/516; H01R 13/60; H01R 13/62; H01R 13/6471; H01R 13/648; H01R 13/658; H01R 13/6597
See application file for complete search history.

(56) **References Cited**
U.S. PATENT DOCUMENTS
D359,443 S * 6/1995 Johansson D6/300
D409,142 S * 5/1999 Yoshiura D13/133
6,629,857 B1 * 10/2003 Ma H01R 12/7064
439/567
6,796,839 B1 * 9/2004 Wu H01R 13/658
439/607.01

6,887,098 B1 * 5/2005 Luo H01R 13/518
439/540.1
D586,300 S * 2/2009 Wang D13/154
D593,036 S * 5/2009 Asano D13/147
D601,971 S * 10/2009 Chen D13/154
D606,024 S * 12/2009 Chiang D13/154
D611,911 S * 3/2010 Wang D13/147
D626,078 S * 10/2010 Kondo D13/147
D638,366 S * 5/2011 Ohtsuji D13/147
D661,657 S * 6/2012 Wang D13/147
8,215,995 B1 * 7/2012 Little H01R 12/7052
439/638

(Continued)

Primary Examiner — Angela J Lee
Assistant Examiner — Shawn T Gingrich
(74) *Attorney, Agent, or Firm* — Manabu Kanesaka

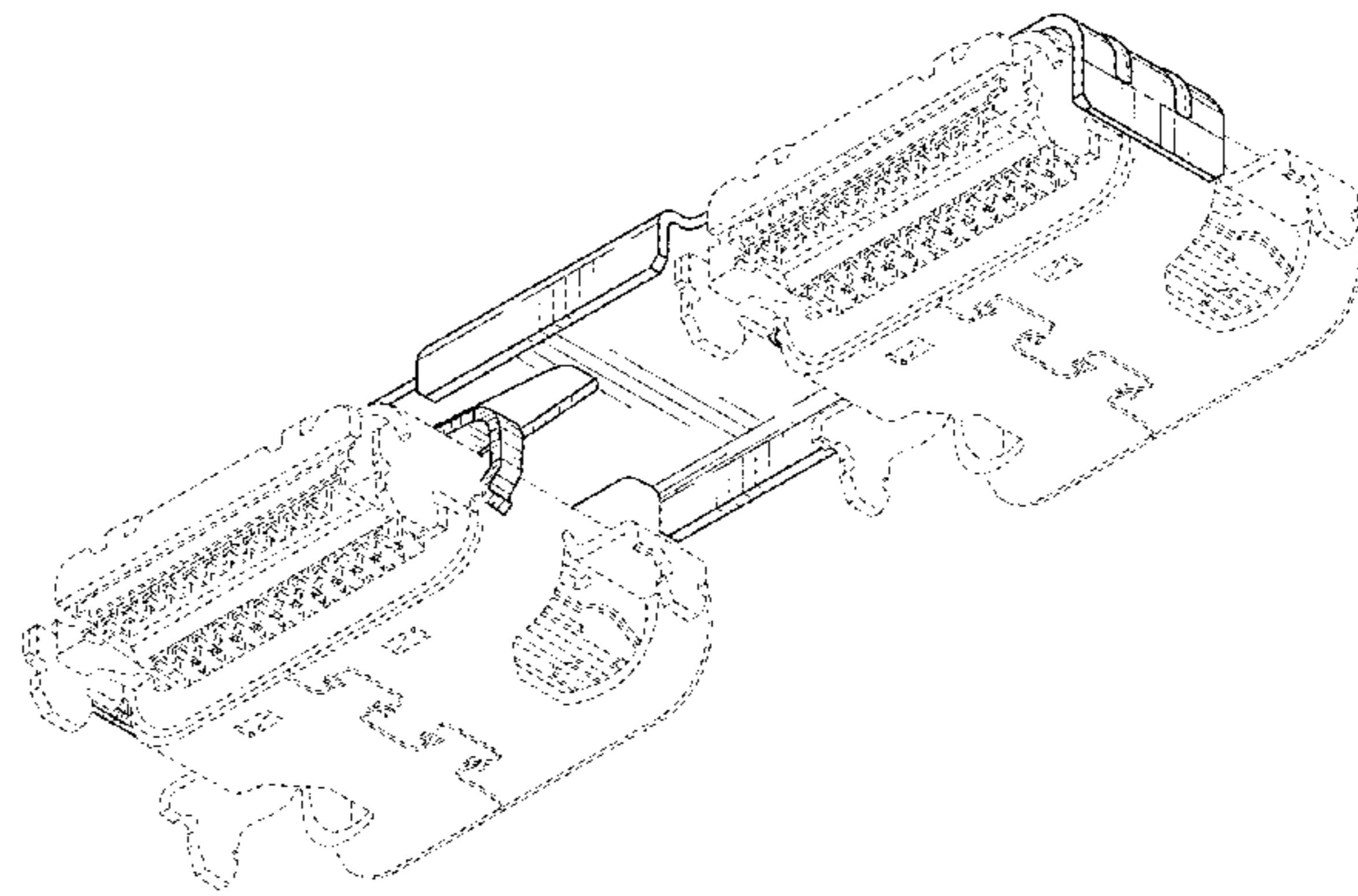
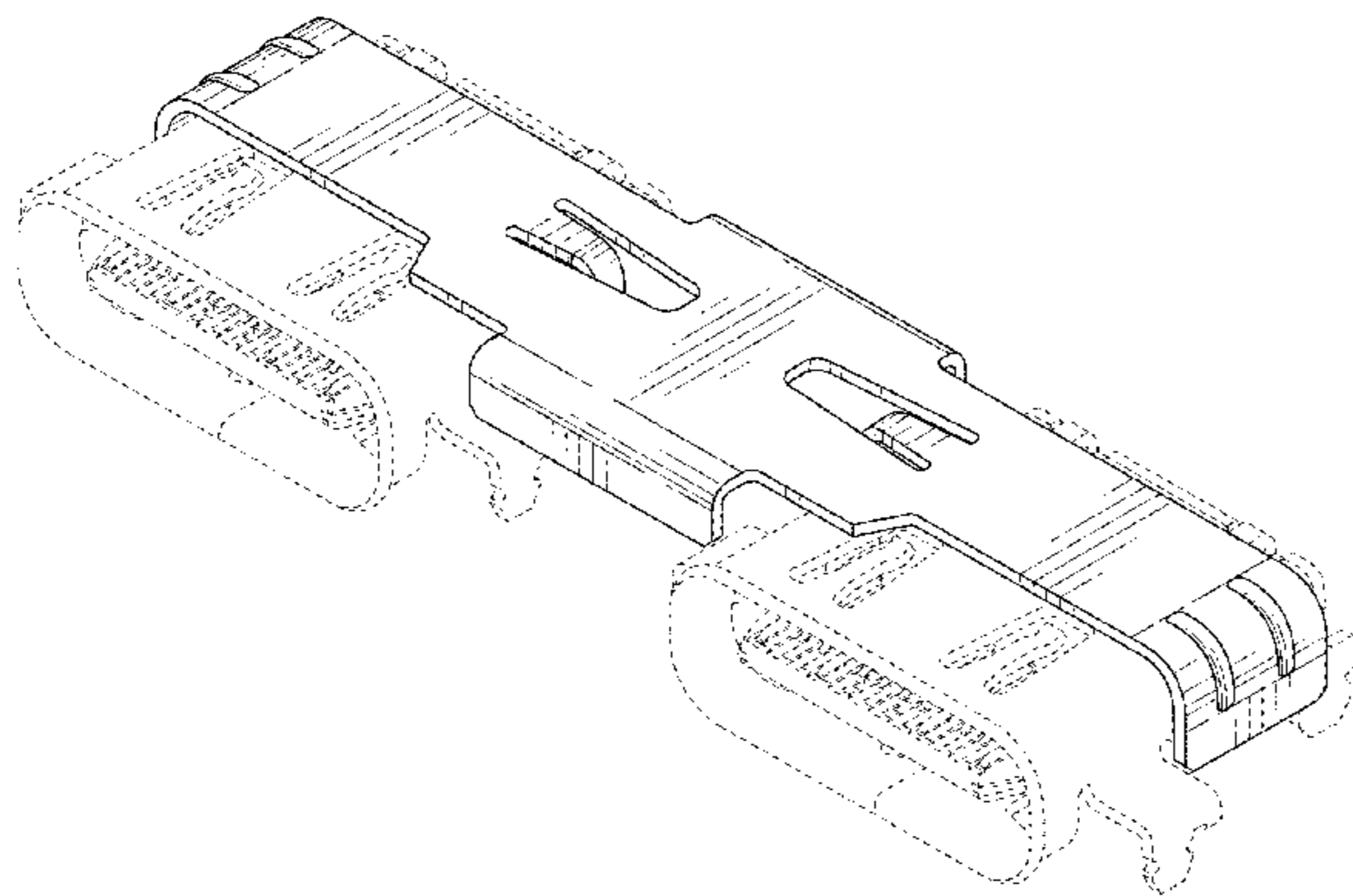
(57) **CLAIM**

The ornamental design for an electrical connector, as shown and described.

DESCRIPTION

FIG. 1 is a front elevational view of an electrical connector showing my new design;
FIG. 2 is a rear elevational view thereof;
FIG. 3 is a right side elevational view thereof;
FIG. 4 is a left side elevational view thereof;
FIG. 5 is a top plan view thereof;
FIG. 6 is a bottom plan view thereof;
FIG. 7 is a perspective view showing a front, top and right side thereof;
FIG. 8 is a perspective view showing a rear, bottom and left side thereof;
FIG. 9 is a perspective view showing a front, right side and bottom thereof; and,
FIG. 10 is a perspective view showing a rear, left side and top thereof.
The broken lines in the drawings illustrate portions of the article that form no part of the claimed design.

1 Claim, 5 Drawing Sheets



(56)

References Cited

U.S. PATENT DOCUMENTS

D744,430 S * 12/2015 Yokoyama D13/147
D745,458 S * 12/2015 Tobaruela D13/133
D832,366 S * 10/2018 Ornstein D21/486
2018/0323548 A1 * 11/2018 Zhao H01R 13/6581

* cited by examiner

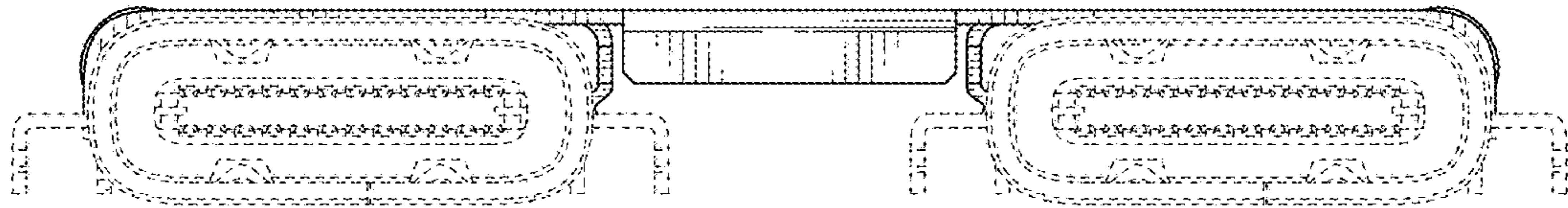


FIG. 1

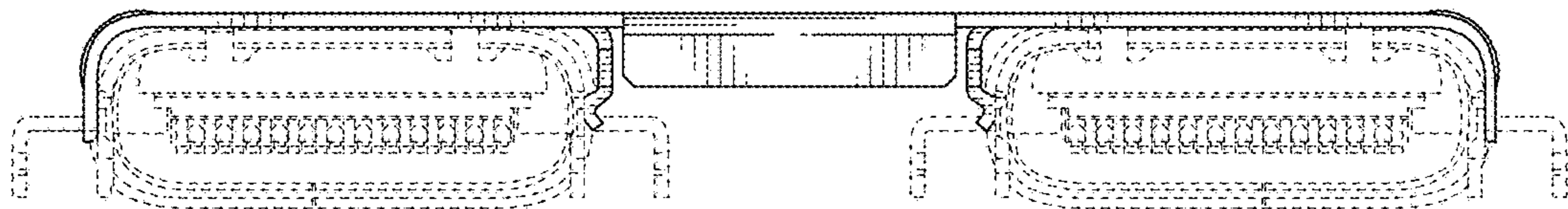


FIG. 2

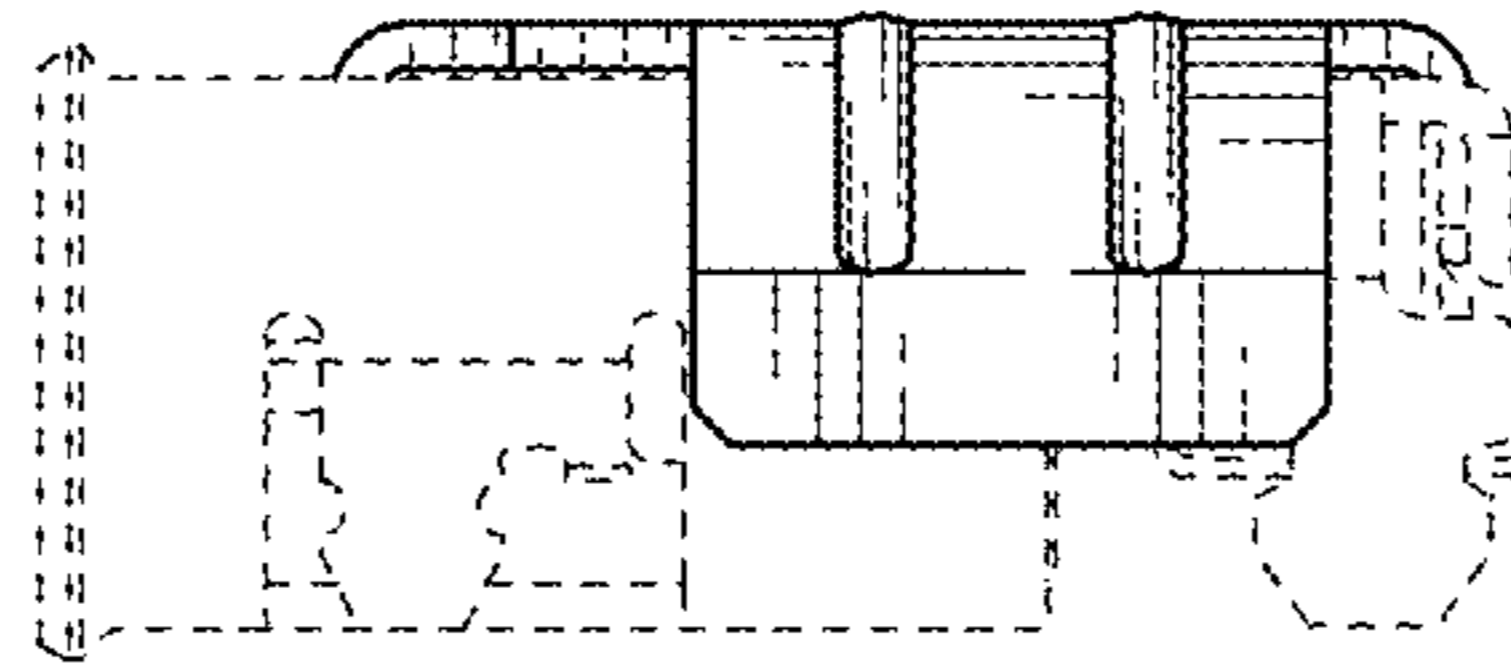


FIG. 3

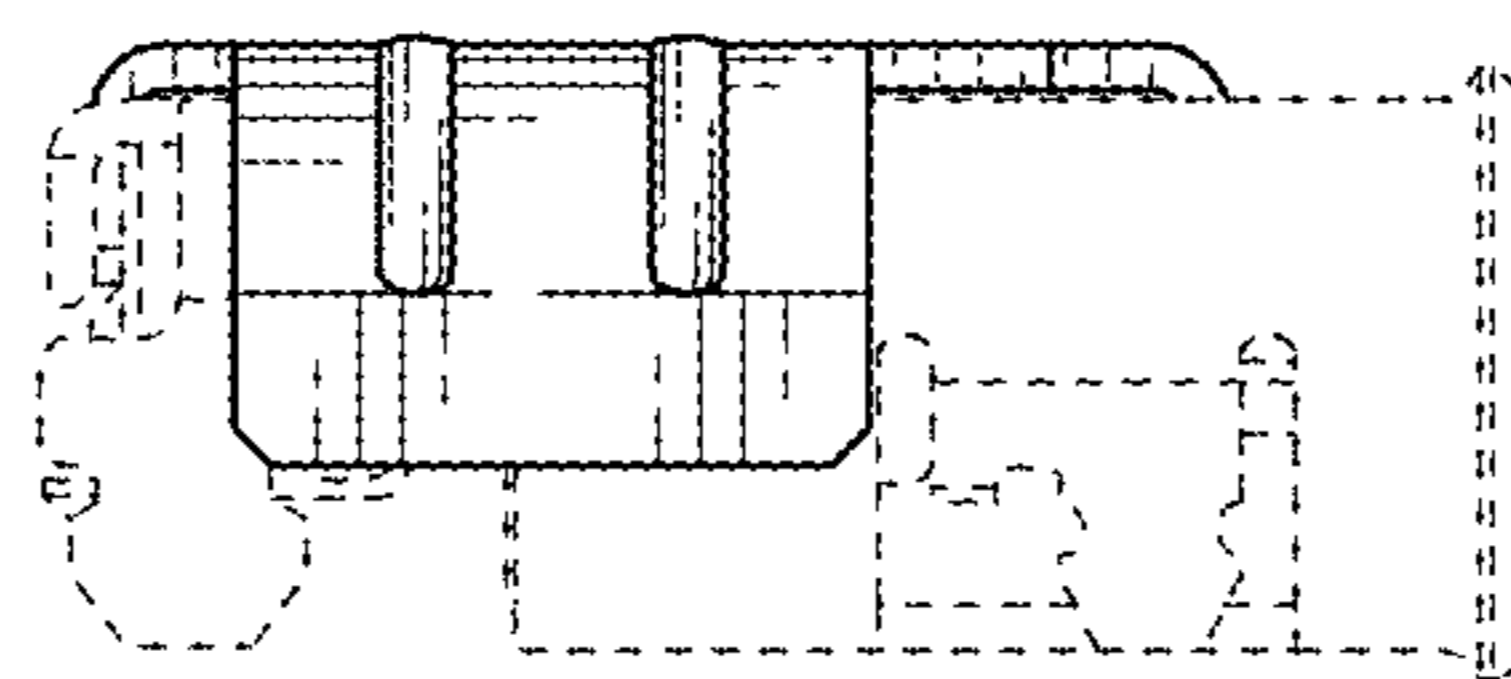


FIG. 4

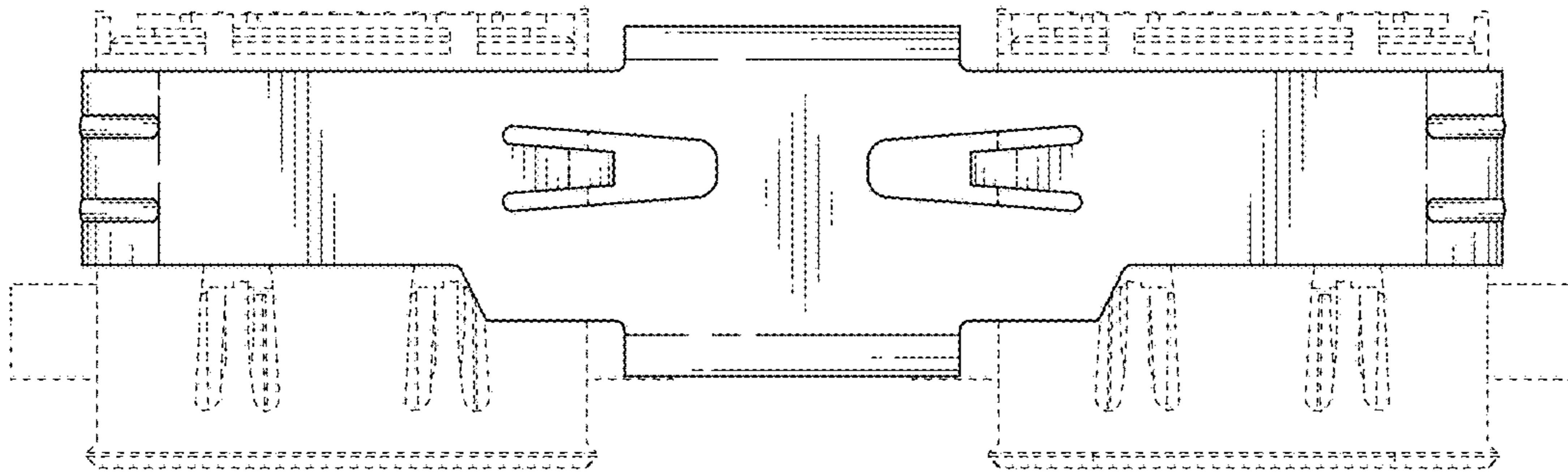


FIG. 5

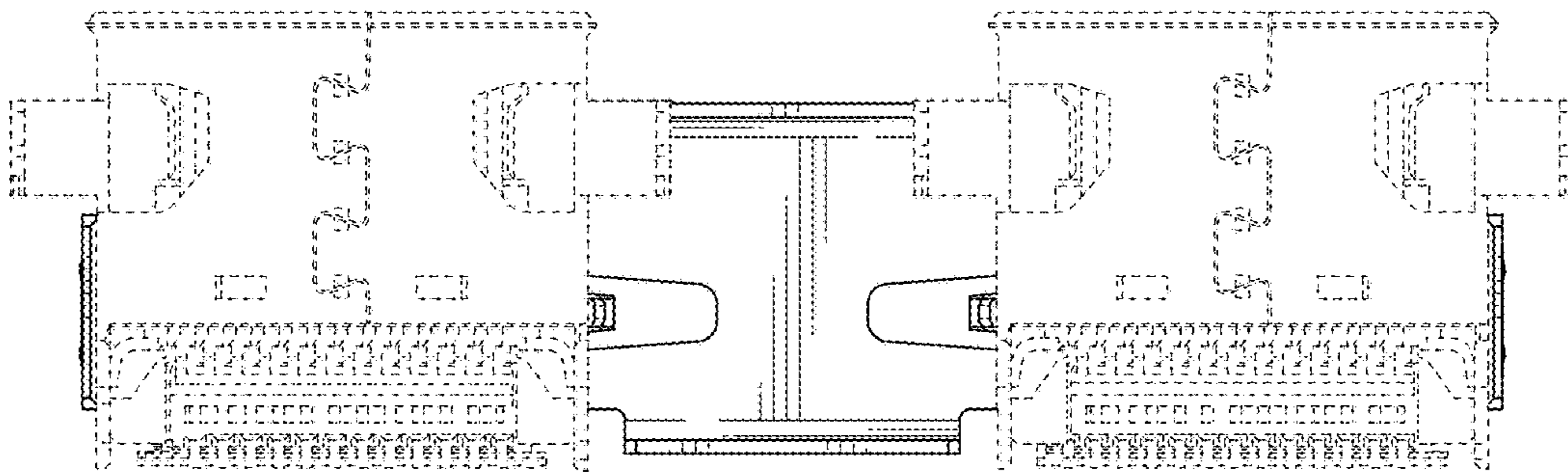


FIG. 6

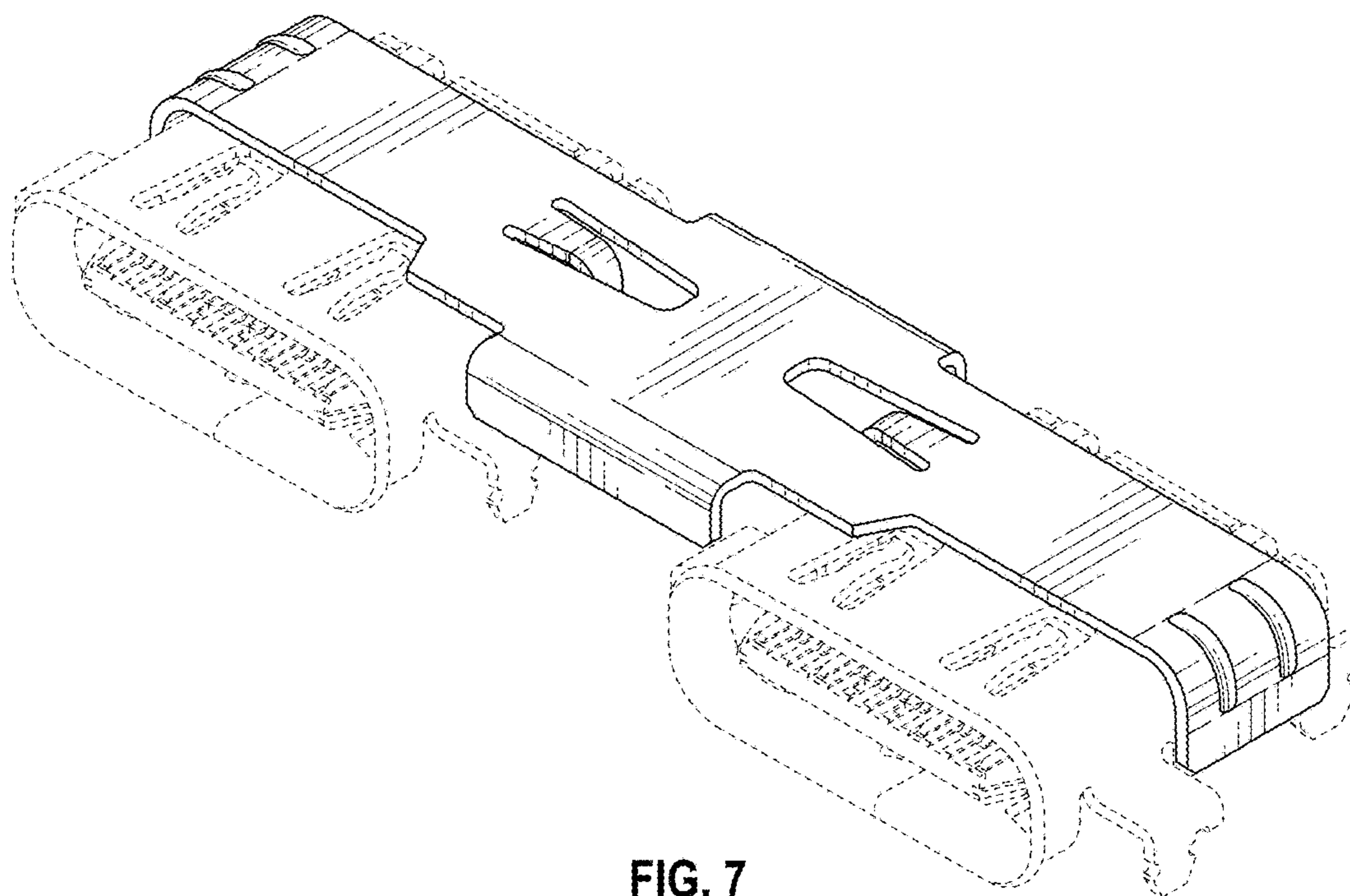


FIG. 7

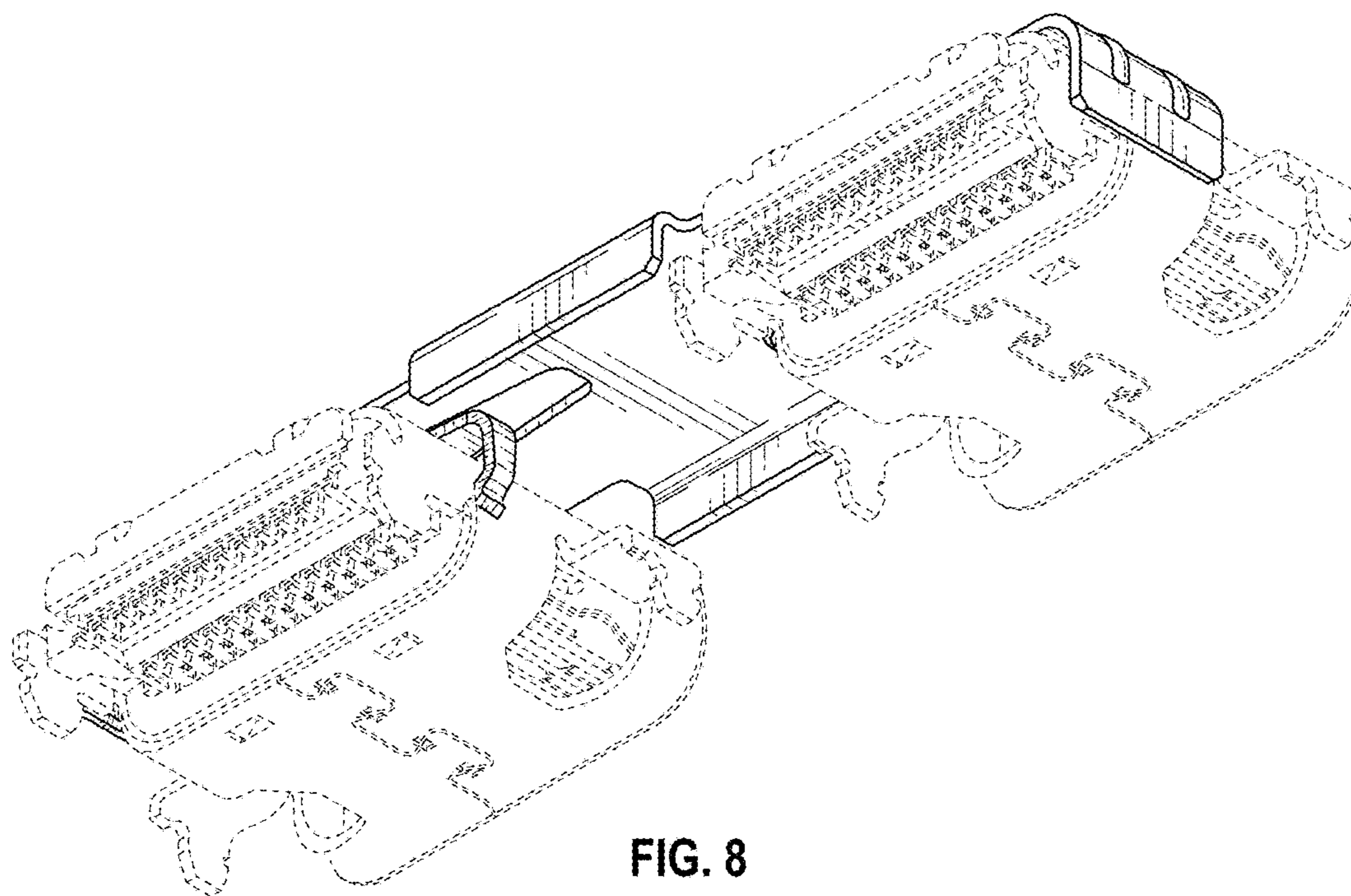


FIG. 8

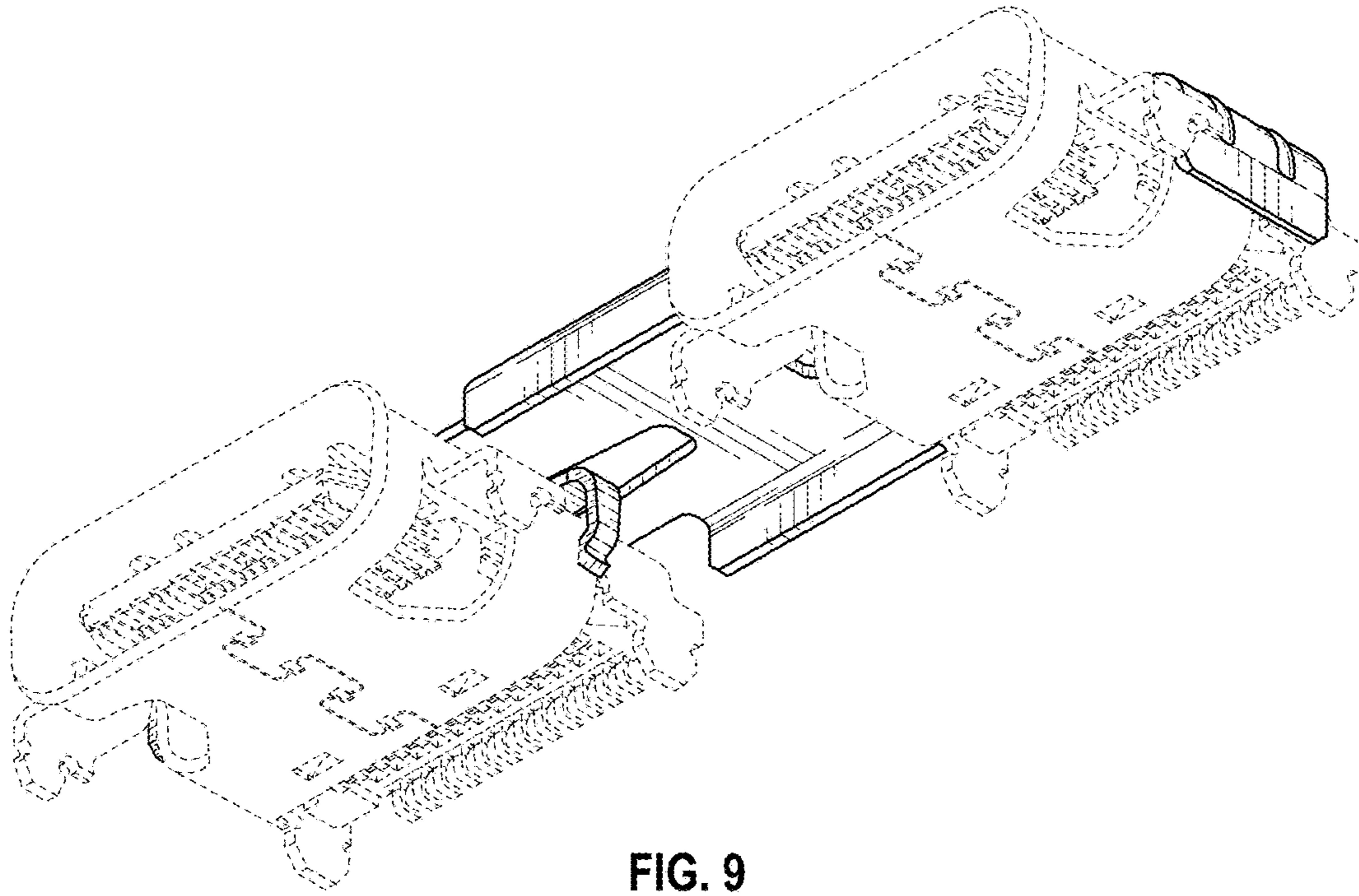


FIG. 9

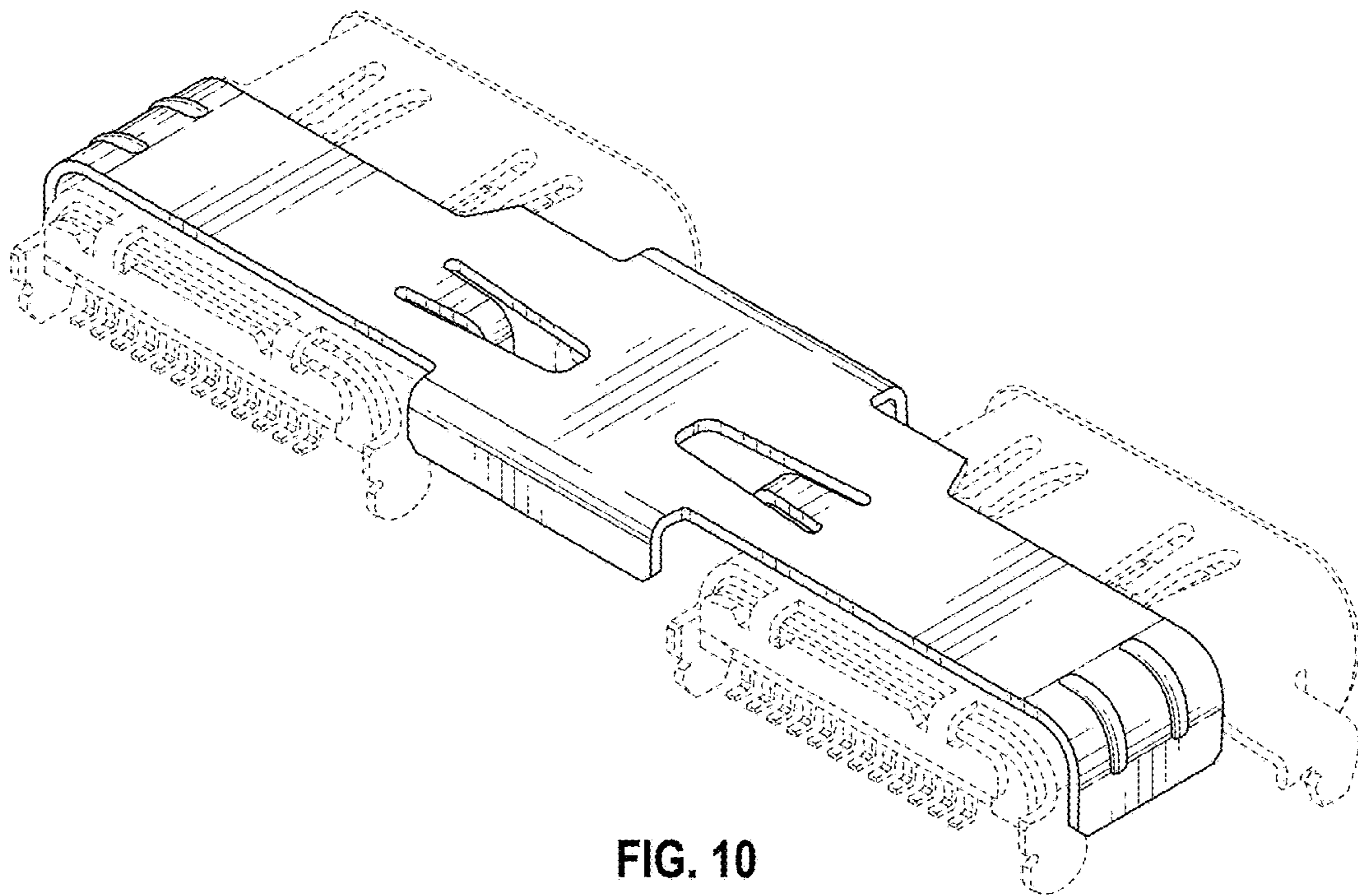


FIG. 10