



US00D845247S

(12) **United States Design Patent**
Komer et al.

(10) **Patent No.:** **US D845,247 S**

(45) **Date of Patent:** **** Apr. 9, 2019**

(54) **RECEPTACLE FOR ELECTRIC MOTOR**

(71) Applicants: **John M. Komer**, Canton, OH (US);
Gregory M. Kessler, N. Canton, OH (US)

(72) Inventors: **John M. Komer**, Canton, OH (US);
Gregory M. Kessler, N. Canton, OH (US)

(73) Assignee: **Thermtrol Corporation**, North Canton, OH (US)

(**) Term: **15 Years**

(21) Appl. No.: **29/580,933**

(22) Filed: **Oct. 14, 2016**

(51) **LOC (11) Cl.** **13-03**

(52) **U.S. Cl.**
USPC **D13/147**

(58) **Field of Classification Search**
USPC D13/133, 147, 154, 184, 199
CPC .. B62D 5/0406; H05K 5/0065; H05K 5/0208;
H05K 5/0221; H05K 5/04; H05K 7/2039
See application file for complete search history.

(56) **References Cited**

U.S. PATENT DOCUMENTS

D706,221 S * 6/2014 Grant D13/147
8,963,388 B2 * 2/2015 Miyachi B62D 5/0406
310/71

D780,125 S * 2/2017 Yang D13/147
2015/0253822 A1 * 9/2015 Degner G06F 1/20
361/679.47
2018/0006521 A1 * 1/2018 Fujimoto H02K 11/33
2018/0079446 A1 * 3/2018 Sun B62D 5/0406

* cited by examiner

Primary Examiner — Daniel D Bui

(74) *Attorney, Agent, or Firm* — Alvin T. Rockhill

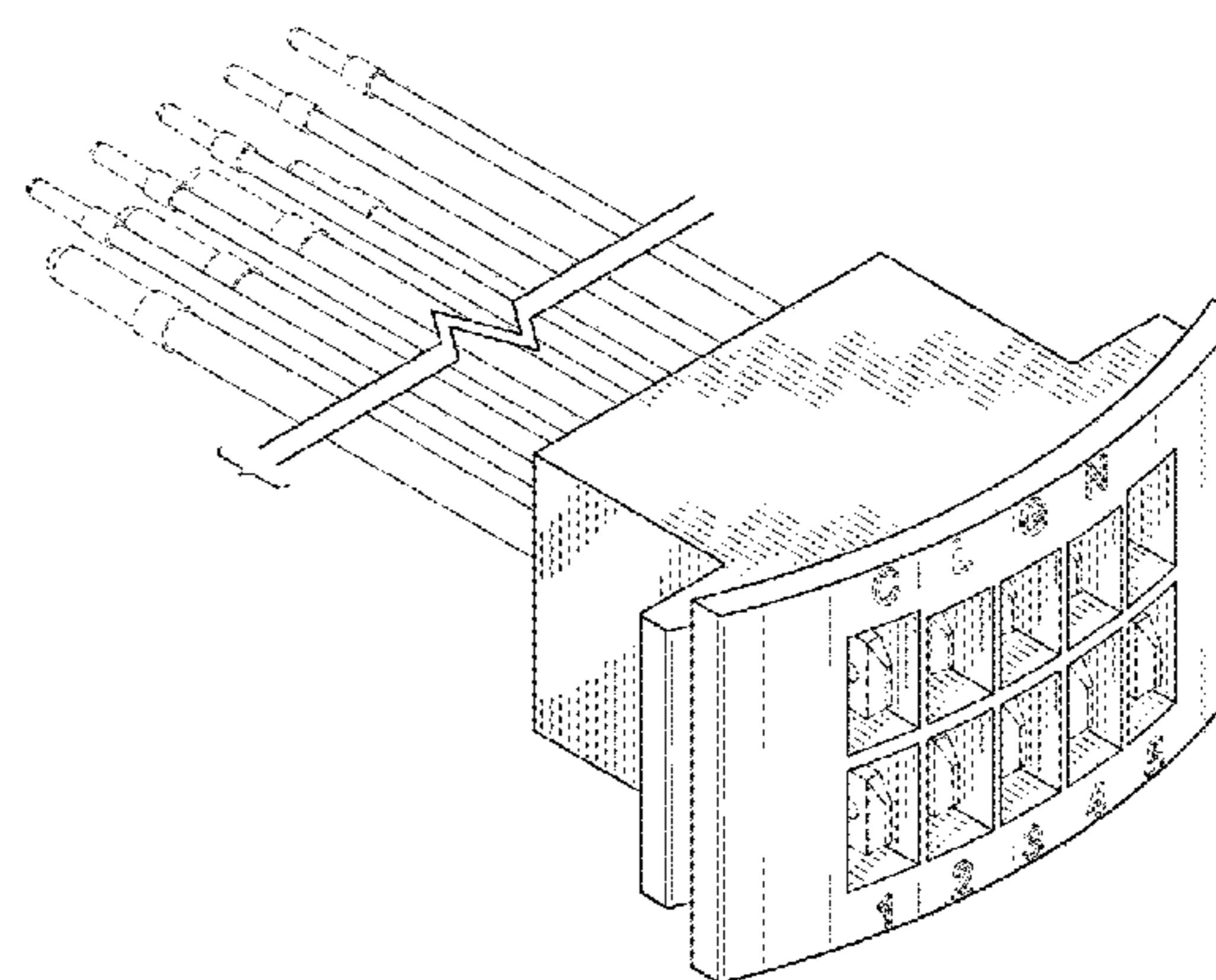
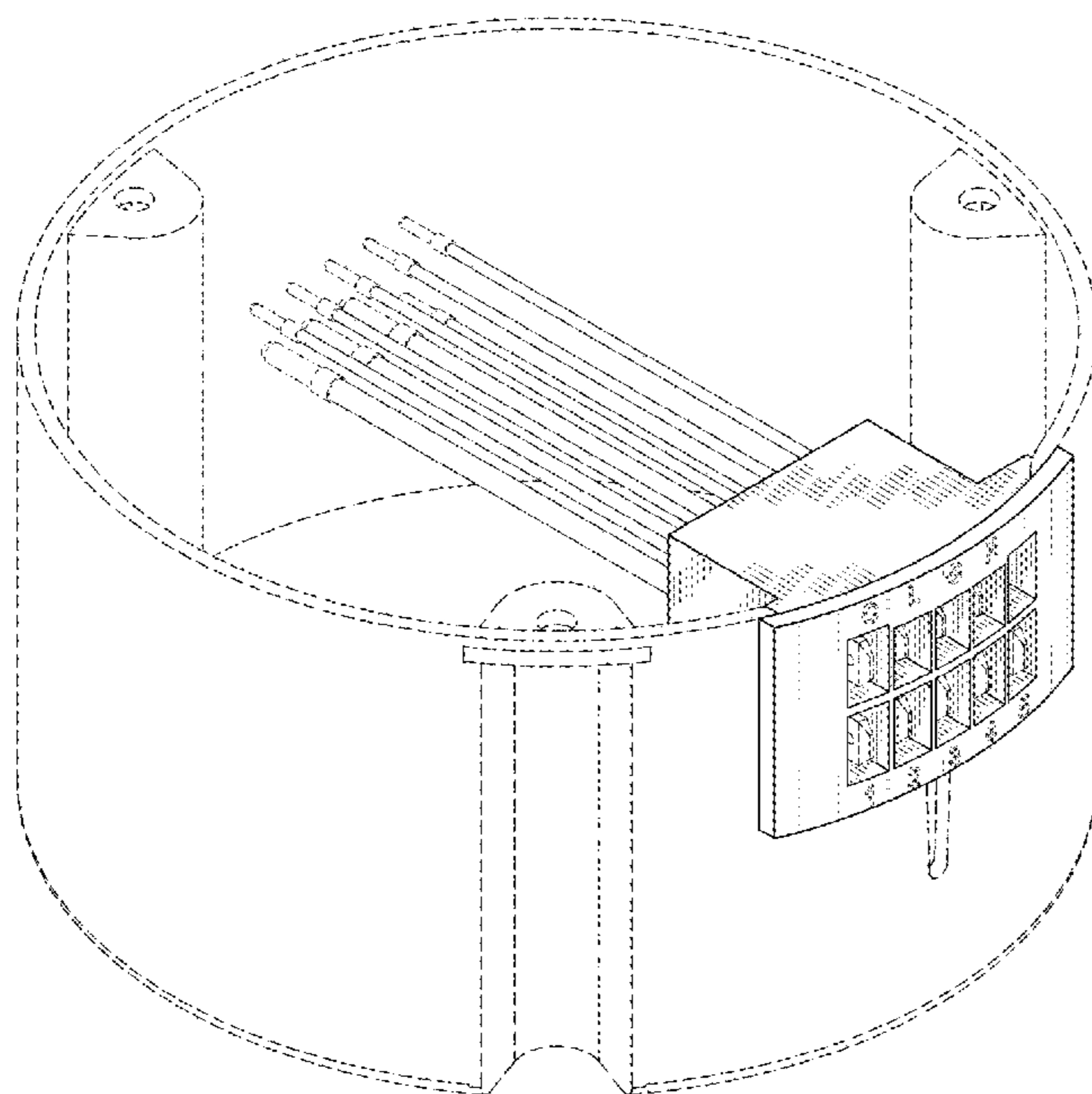
(57) **CLAIM**

The ornamental design for a receptacle for electric motor, as shown and described.

DESCRIPTION

FIG. 1 is a front-top perspective view of the receptacle for electric motor in use condition, showing our new design. FIG. 2 is a front-top perspective view of the receptacle for electric motor thereof. FIG. 3 is a front-bottom perspective view thereof. FIG. 4 is a front elevation view thereof. FIG. 5 is a back elevation view thereof. FIG. 6 is a top plan view thereof. FIG. 7 is a bottom plan view thereof. FIG. 8 is a left side elevation view thereof; and, FIG. 9 is a right side elevation view thereof. In the drawing, the broken line represents unclaimed environment only and forms no part of the claimed design.

1 Claim, 5 Drawing Sheets



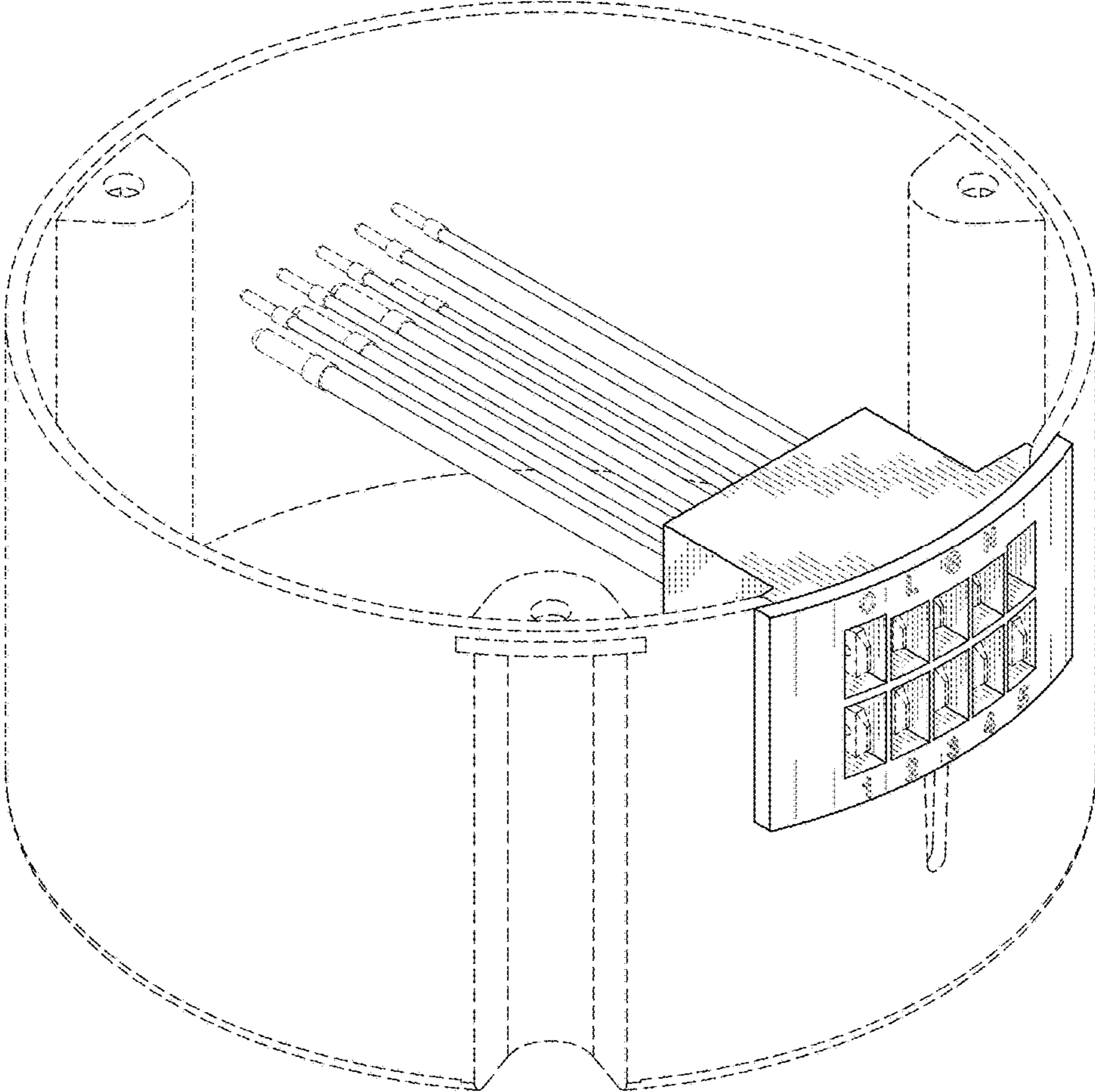
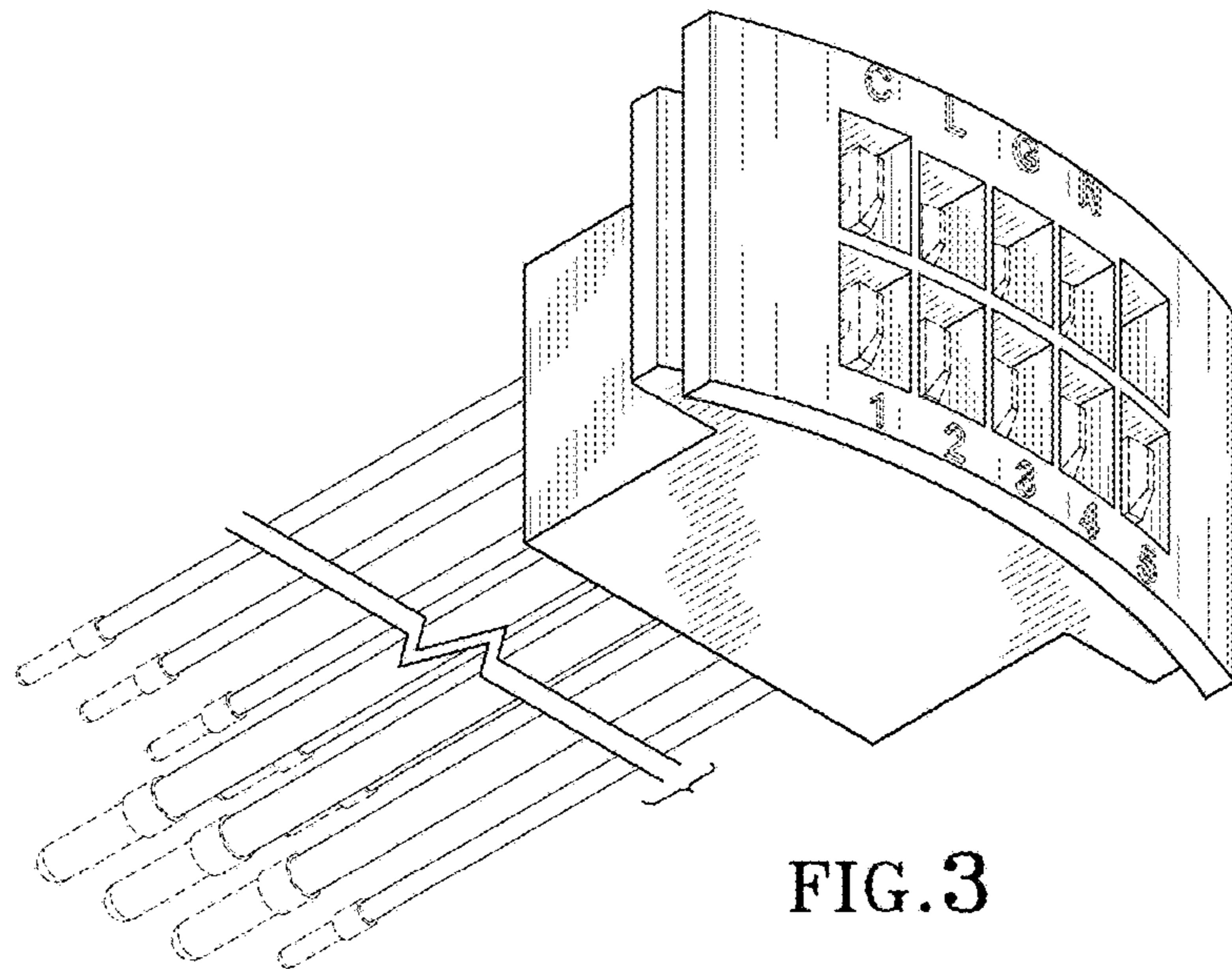
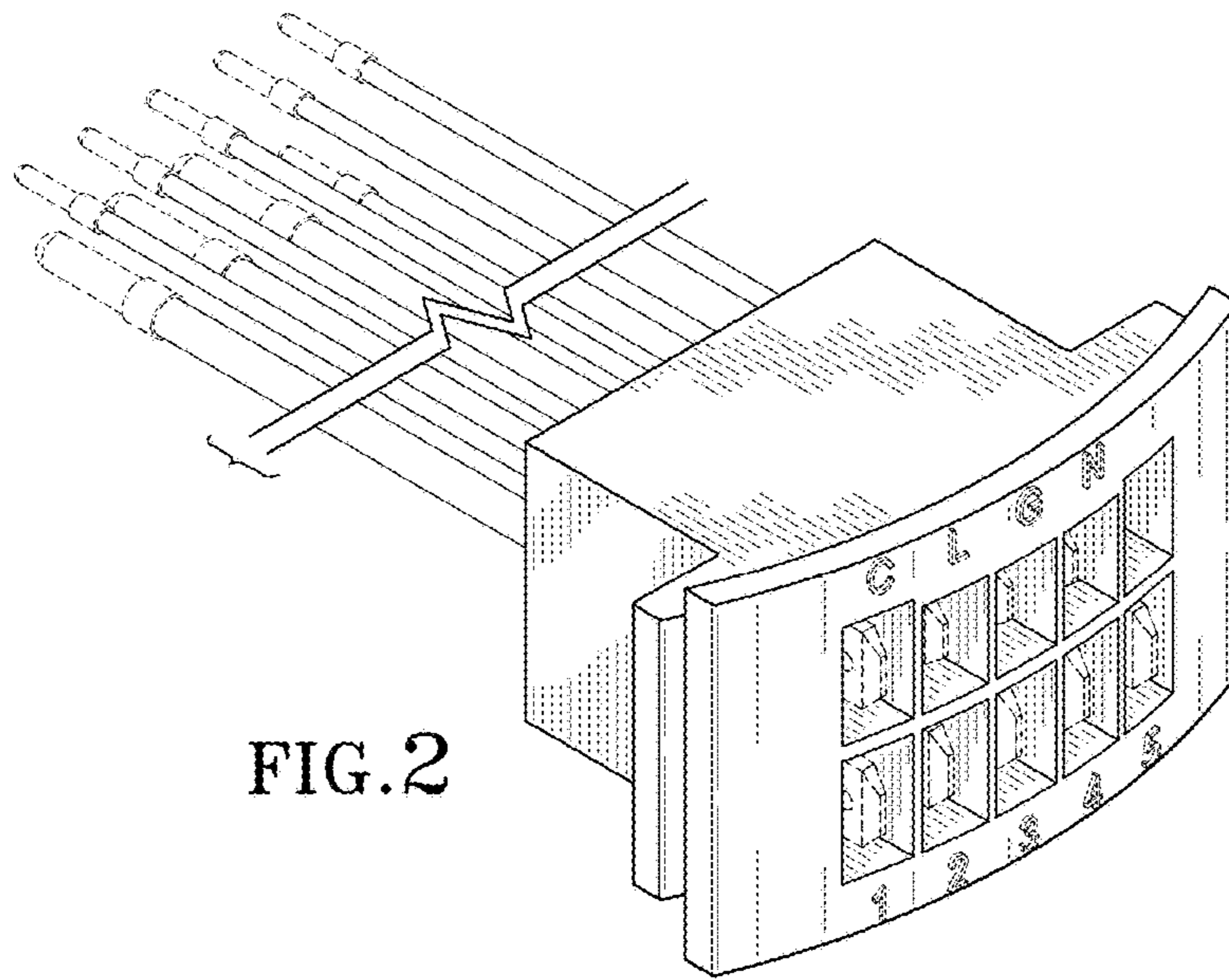


FIG. 1



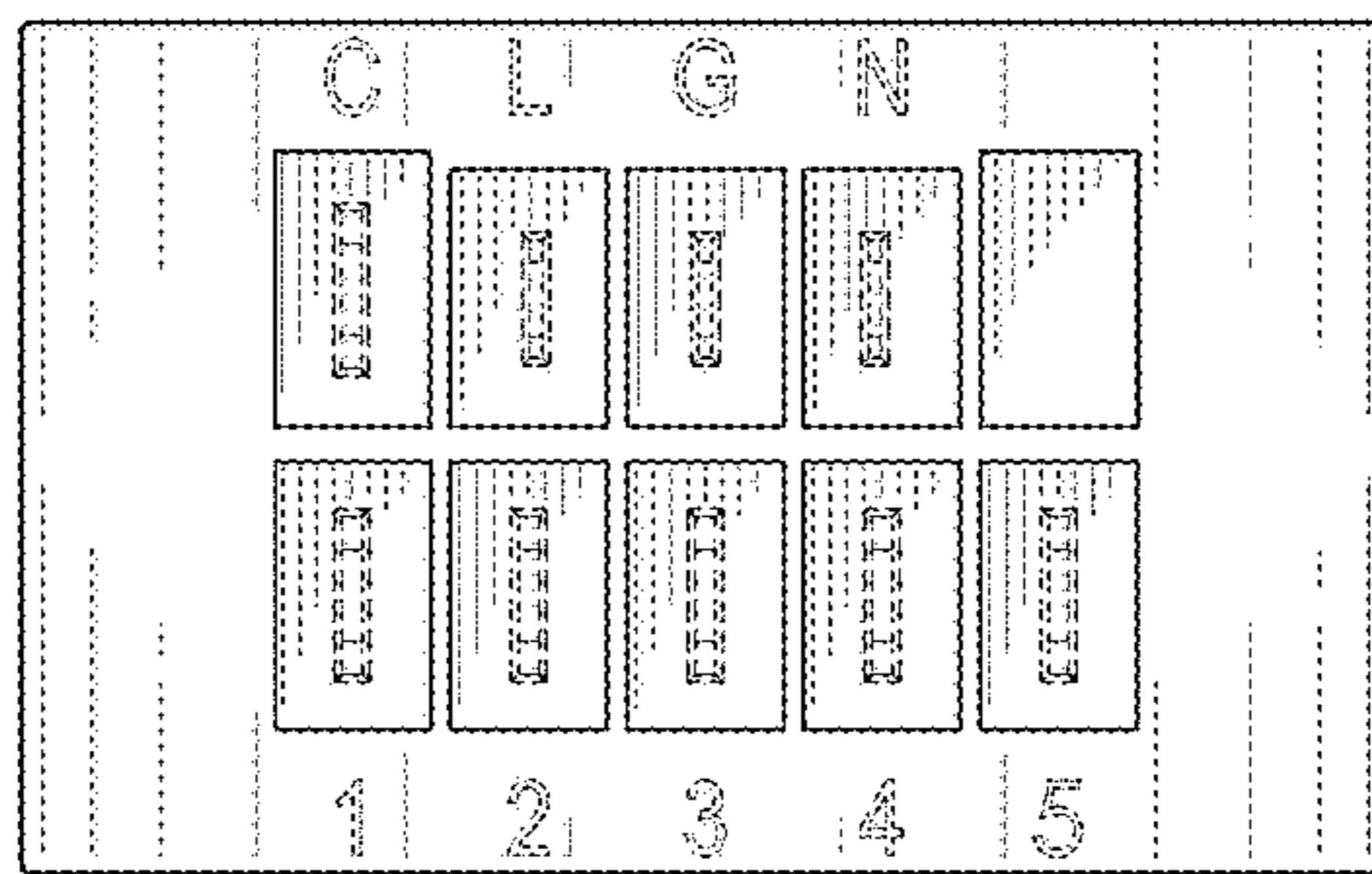


FIG. 4

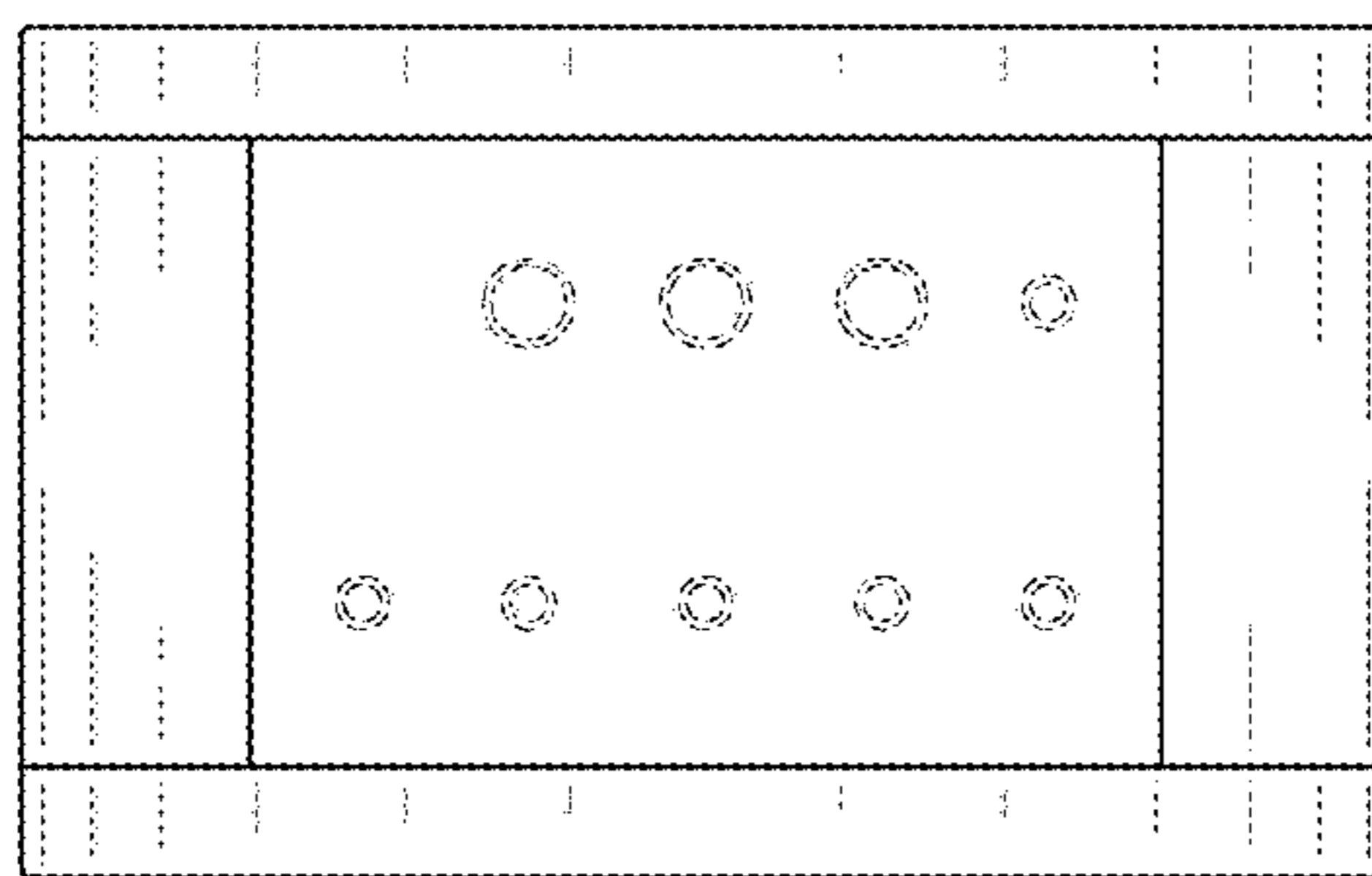


FIG. 5

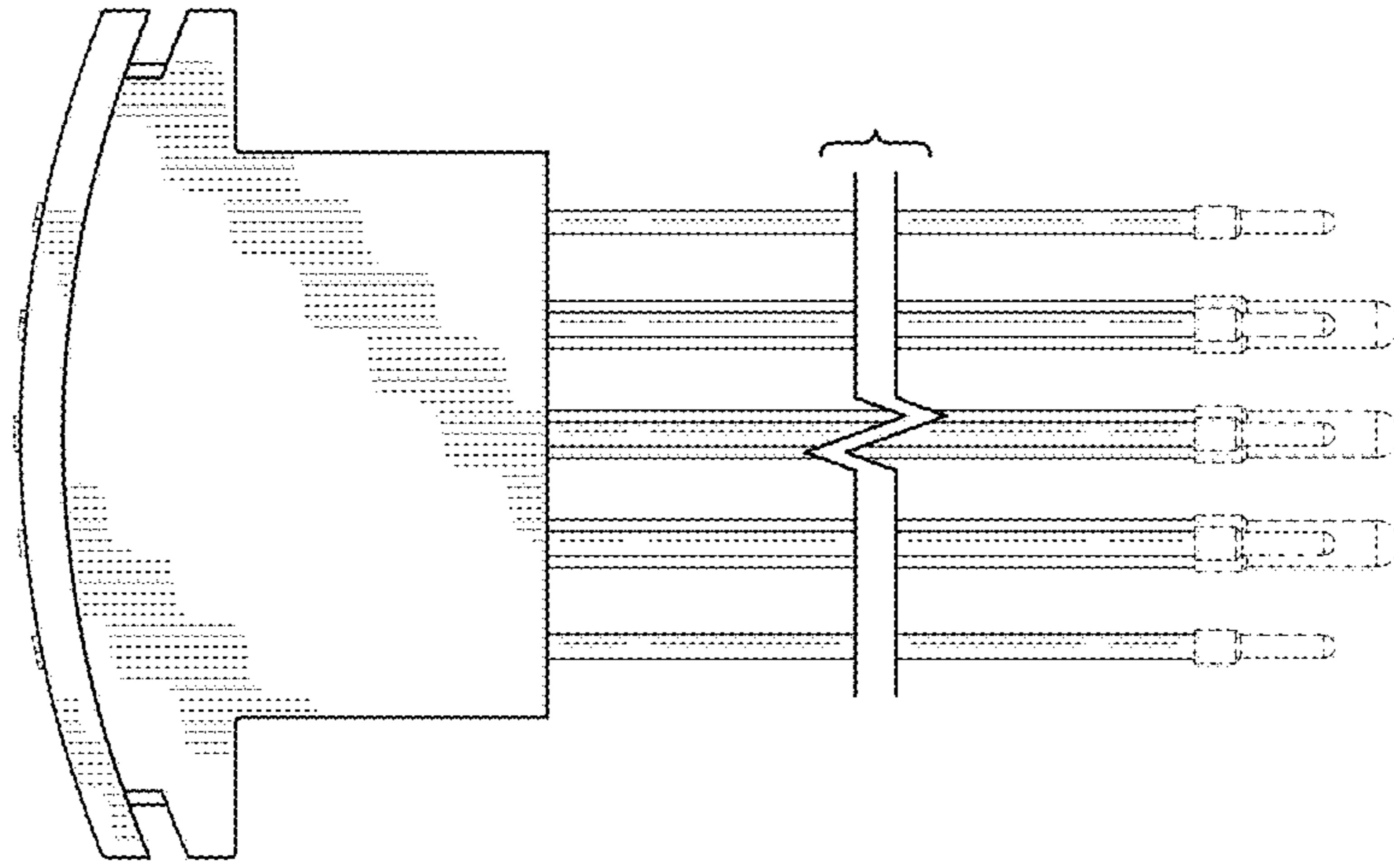


FIG. 6

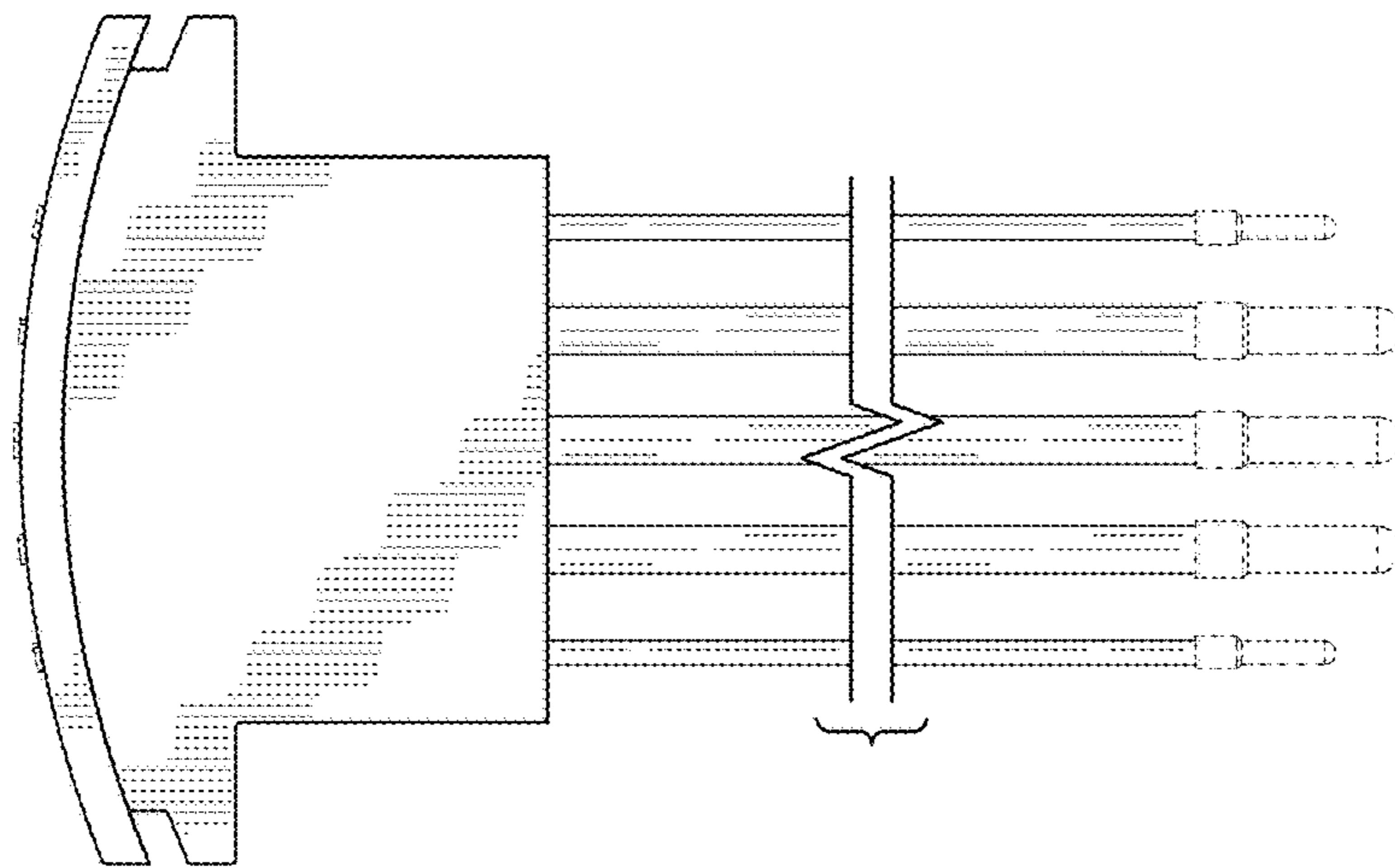


FIG. 7

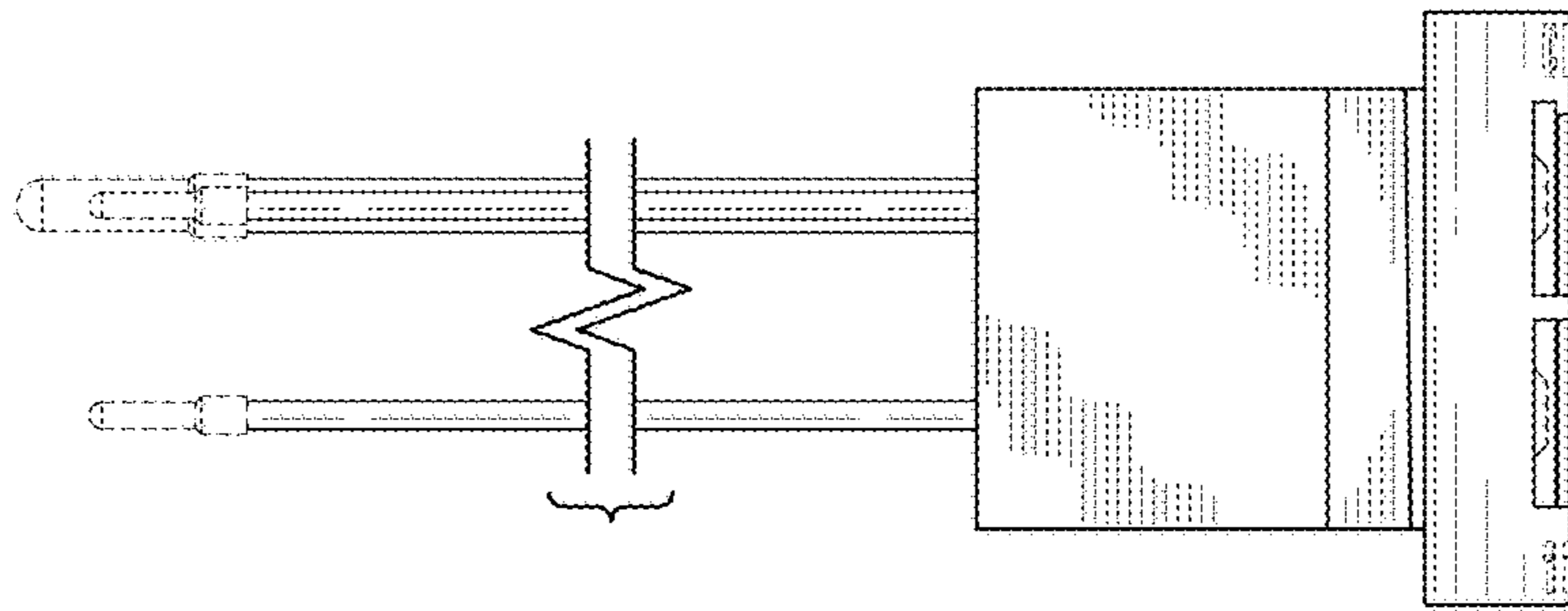


FIG. 8

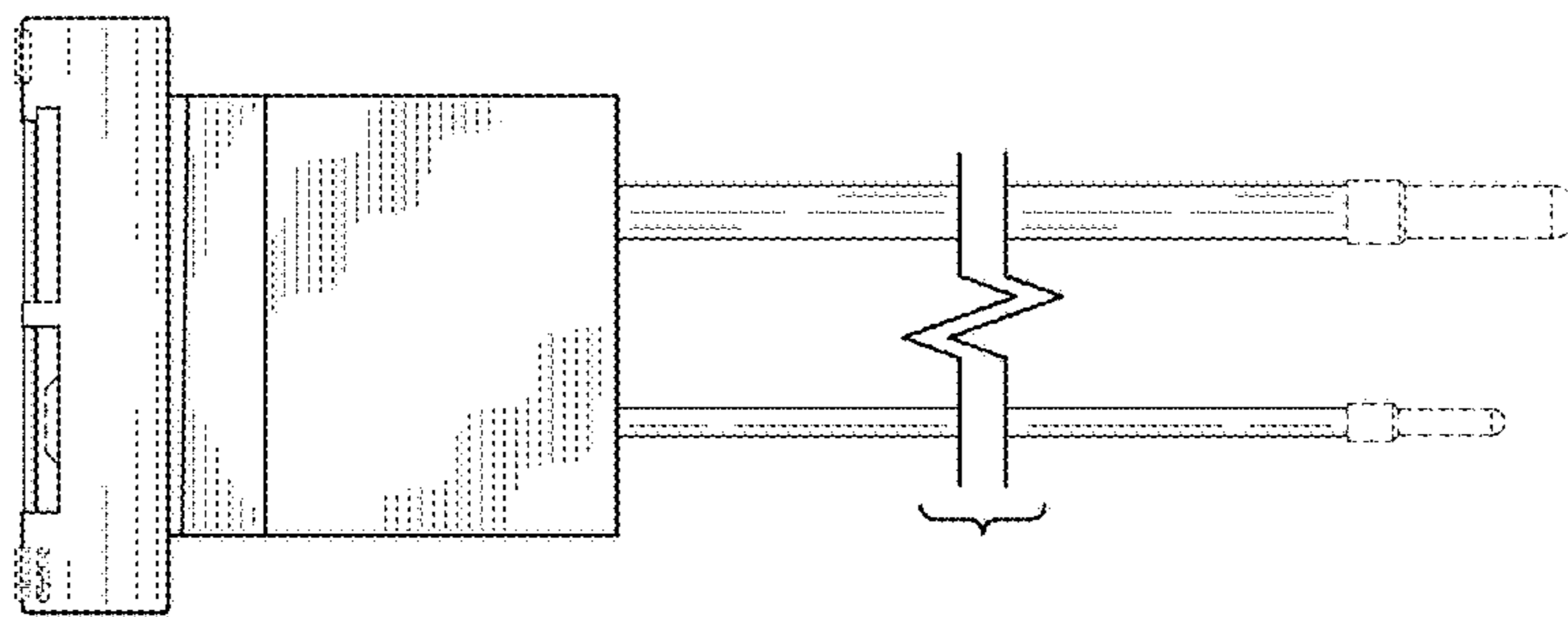


FIG. 9