



US00D845246S

(12) **United States Design Patent**  
**Zhang et al.**

(10) **Patent No.:** **US D845,246 S**

(45) **Date of Patent:** **\*\* Apr. 9, 2019**

(54) **ELECTRICAL CONNECTOR HOUSING WITH ASYMMETRIC RECTANGULAR HOT TERMINAL EDGE SLOTS AND TERMINALS WITH A RECTANGULAR EDGE PROTRUSION**

2011/0228563 A1\* 9/2011 Dhenaut ..... F21V 19/00  
362/656  
2014/0017910 A1\* 1/2014 Gerling ..... B60D 1/64  
439/35  
2017/0077634 A1\* 3/2017 Markefka ..... H01R 13/05

(71) Applicant: **Eaton Intelligent Power Limited,**  
Dublin (IE)

**OTHER PUBLICATIONS**

Technical Data, Industrial grade straight blade quick grip devices, www.arrowhart.com, Jan. 2014, 3 pages.

(72) Inventors: **George Zhang,** Shanghai (CN); **Alex Zhuang,** Shanghai (CN); **Dai Vo,** McDonough, GA (US)

\* cited by examiner

(73) Assignee: **Eaton Intelligent Power Limited,**  
Dublin (IE)

*Primary Examiner* — Daniel D Bui

(74) *Attorney, Agent, or Firm* — Myers Bigel, P.A.

(\*\*) Term: **15 Years**

(57) **CLAIM**

The ornamental design for an electrical connector housing with asymmetric rectangular hot terminal edge slots and terminals with a rectangular edge protrusion, as shown and described.

(21) Appl. No.: **29/572,225**

(22) Filed: **Jul. 26, 2016**

(51) **LOC (11) Cl.** ..... **13-03**

(52) **U.S. Cl.**  
USPC ..... **D13/147**

**DESCRIPTION**

(58) **Field of Classification Search**  
USPC ..... D13/133, 146, 147, 154, 184, 199  
CPC ..... H01R 13/04; H01R 13/05; H01R 13/44;  
H01R 13/52; H01R 13/627; H01R 13/66;  
H01R 24/66; H01R 24/86; H01R 27/00;  
H01R 33/00; H01R 43/26  
See application file for complete search history.

FIG. 1 is a top perspective view of an electrical connector housing with asymmetric rectangular hot terminal edge slots and terminals with a rectangular edge protrusion showing our design;

FIG. 2 is a front view thereof;

FIG. 3 is a rear view thereof;

FIG. 4 is a right view thereof;

FIG. 5 is a left view thereof;

FIG. 6 is a top view thereof;

FIG. 7 is a bottom view thereof;

FIG. 8 is a top perspective view thereof, in an alternate condition; and,

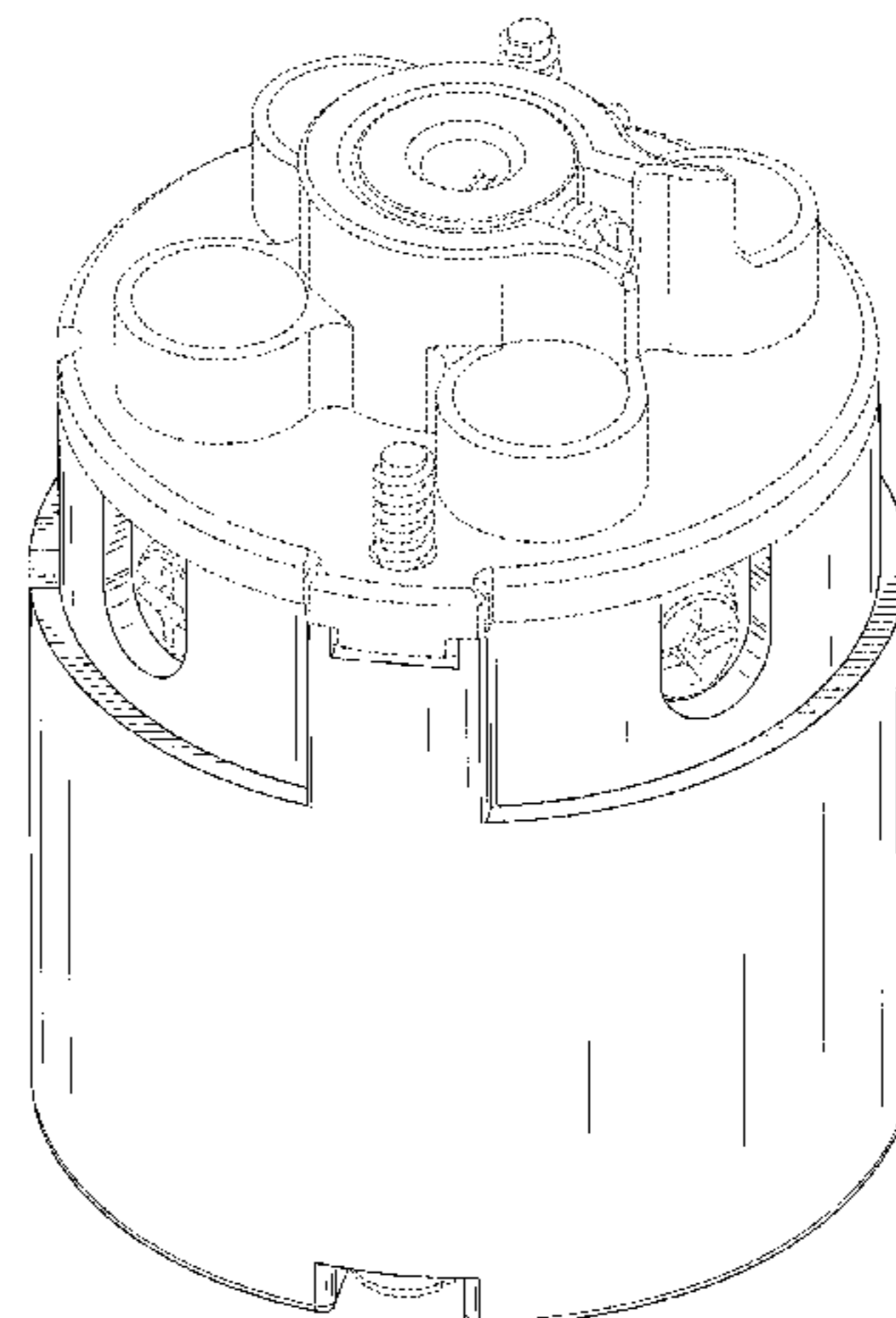
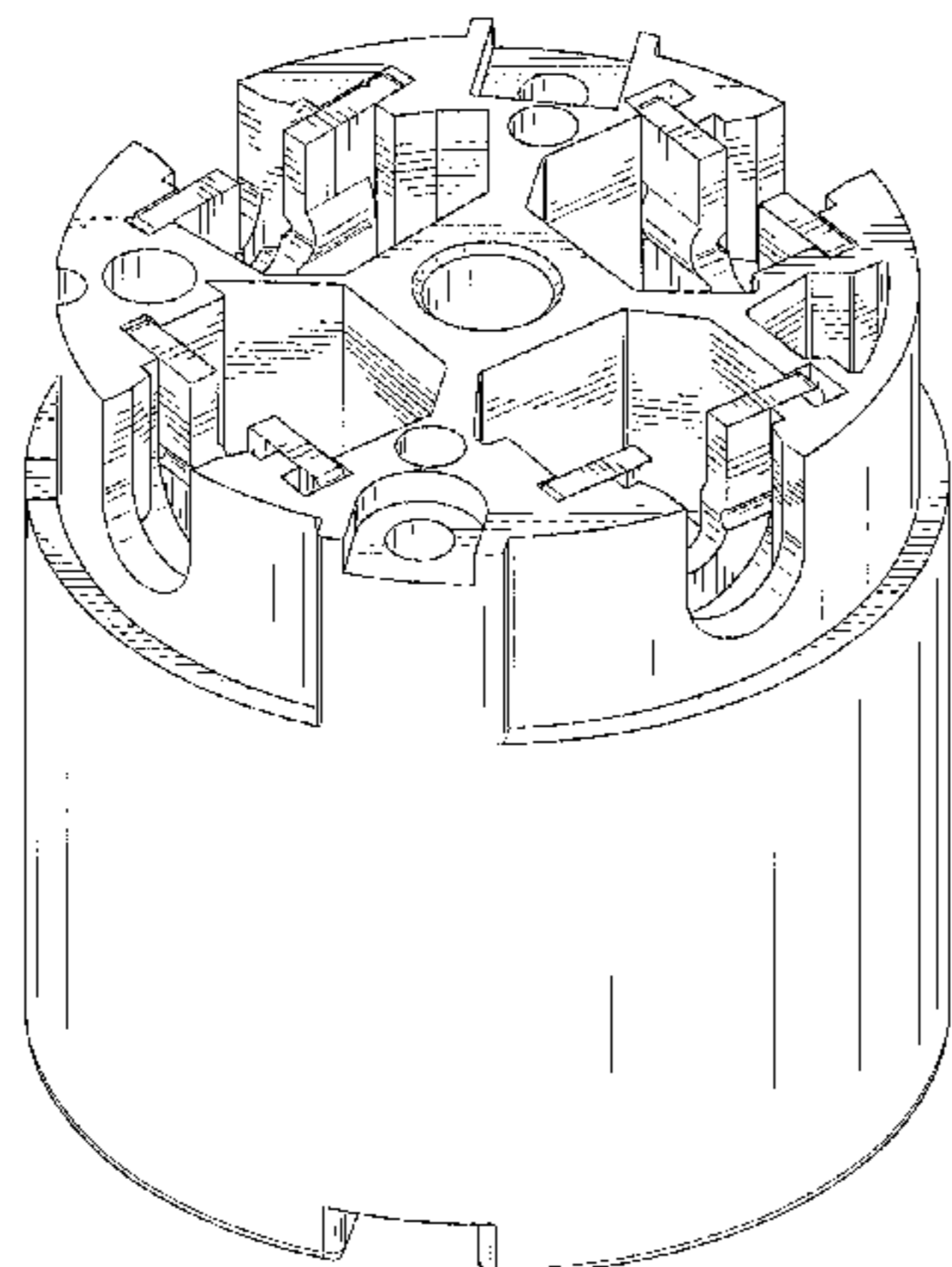
FIG. 9 is a top perspective view thereof, in use condition. The broken lines in the drawing views represent unclaimed environment only and form no part of the claimed design.

(56) **References Cited**

**U.S. PATENT DOCUMENTS**

6,447,302 B1\* 9/2002 Davis ..... H01R 29/00  
439/34  
D555,597 S\* 11/2007 Phung ..... D13/133  
9,559,475 B1\* 1/2017 Shaeffer ..... H01R 31/06  
9,966,713 B1\* 5/2018 Shaeffer ..... H01R 24/86

**1 Claim, 9 Drawing Sheets**



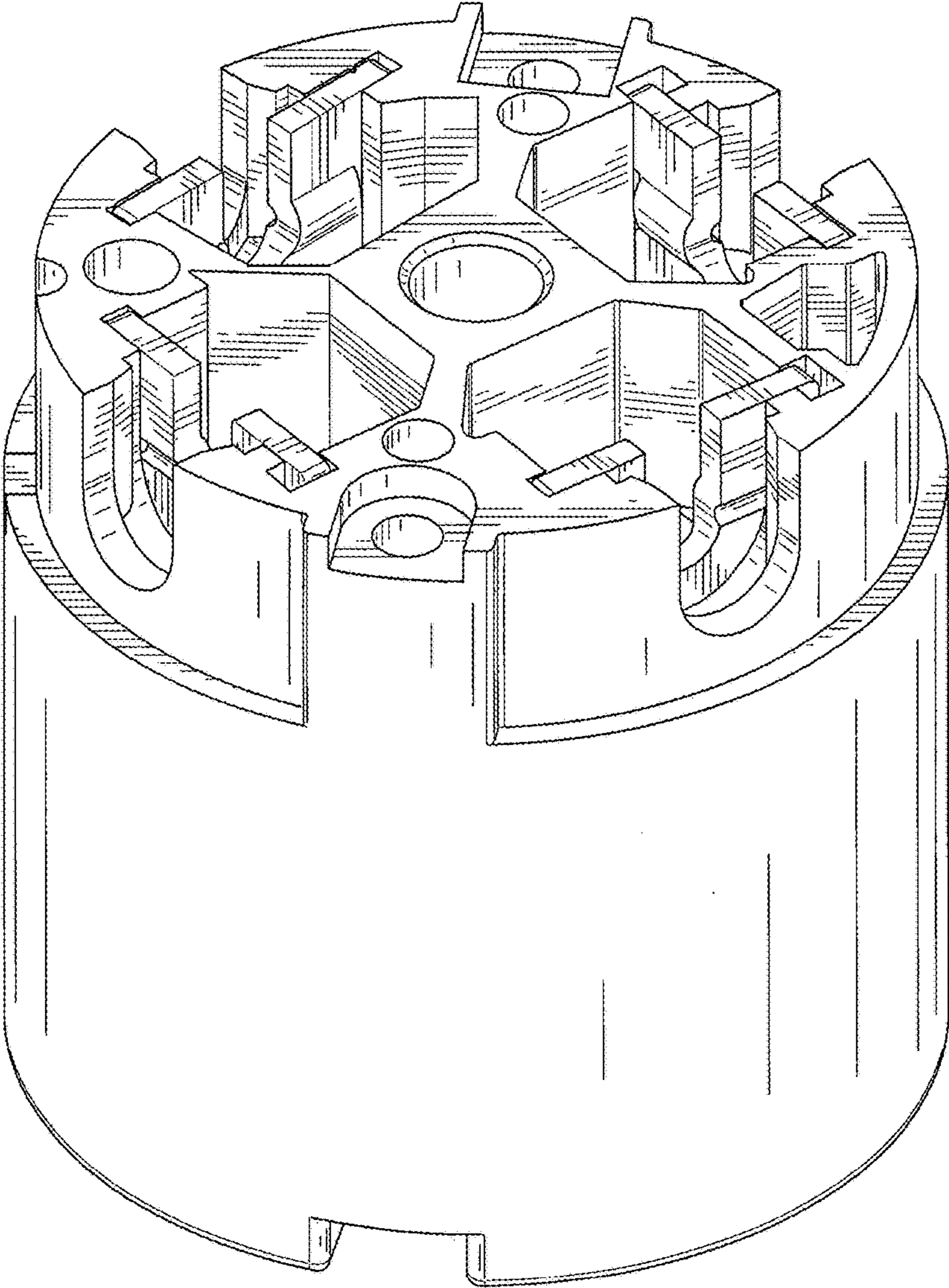


FIG. 1

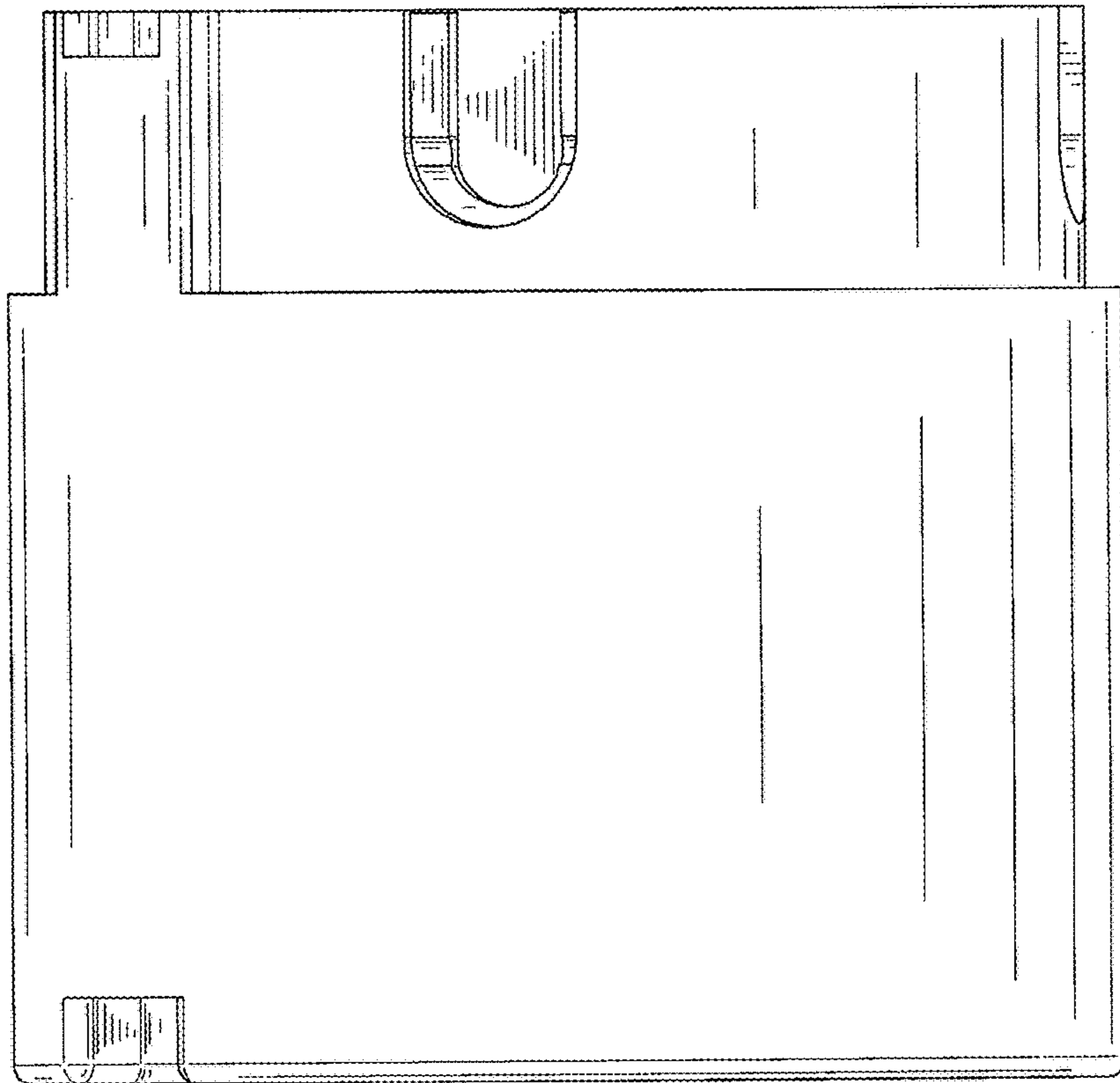


FIG. 2

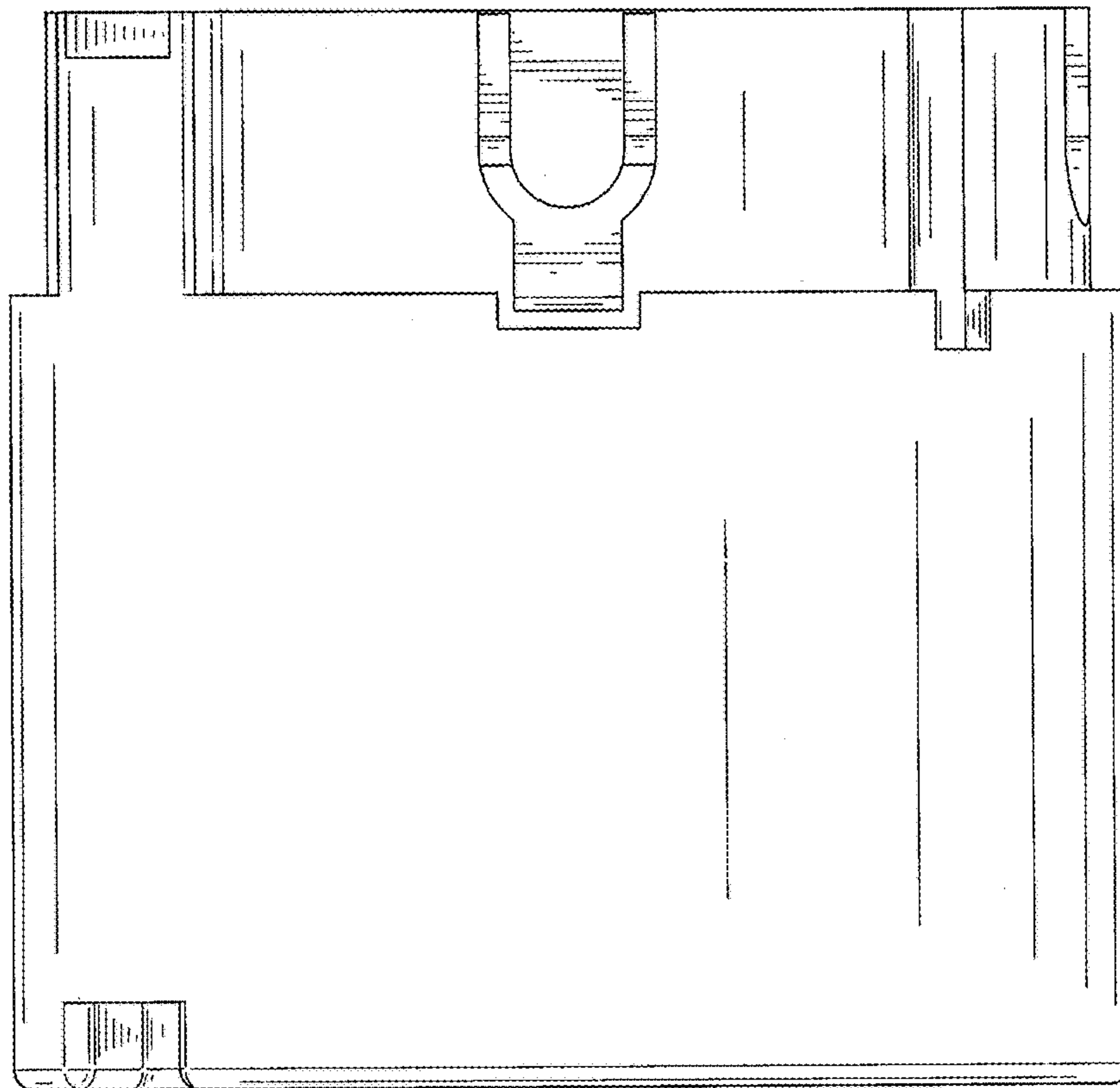


FIG. 3

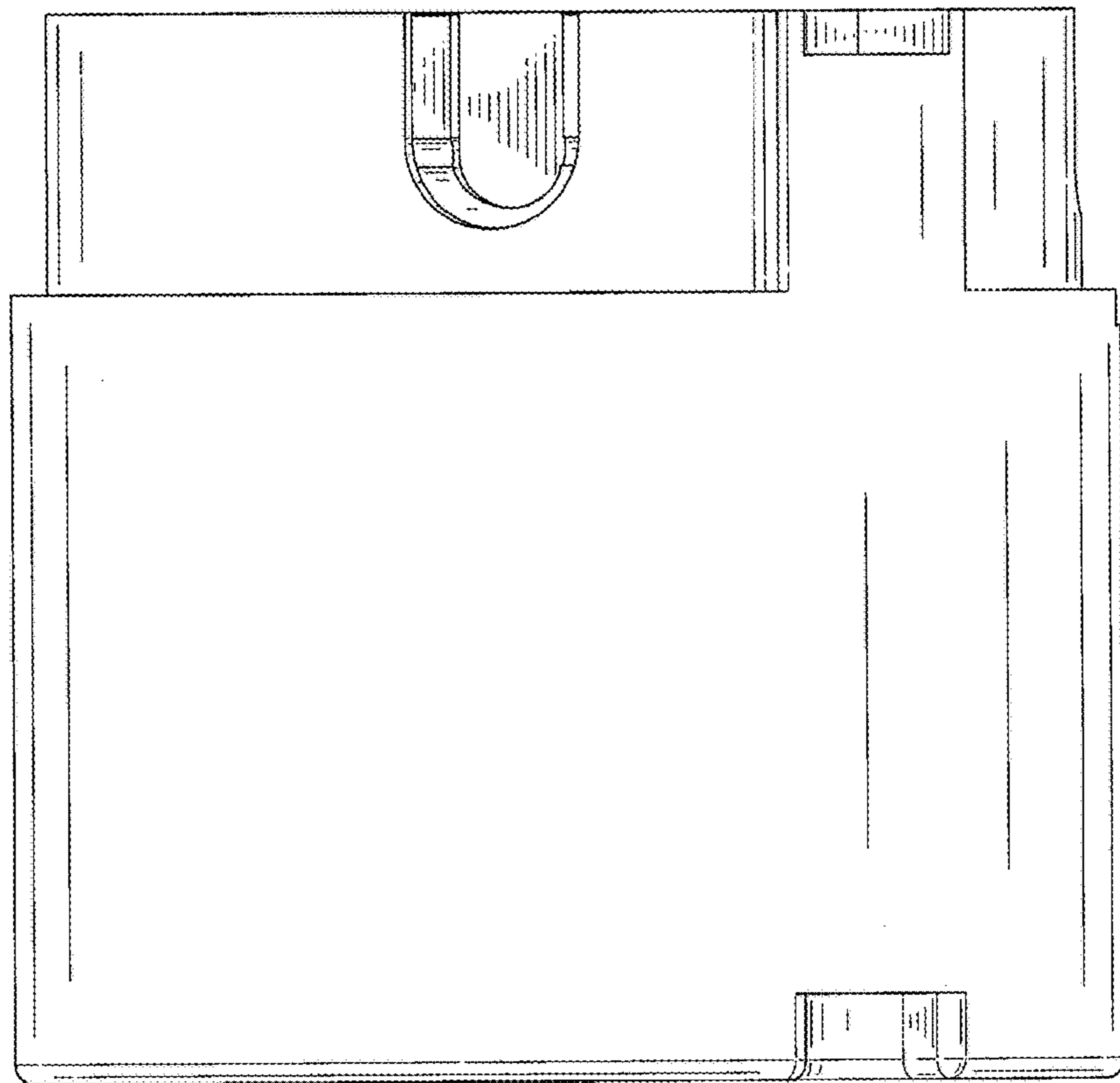


FIG. 4

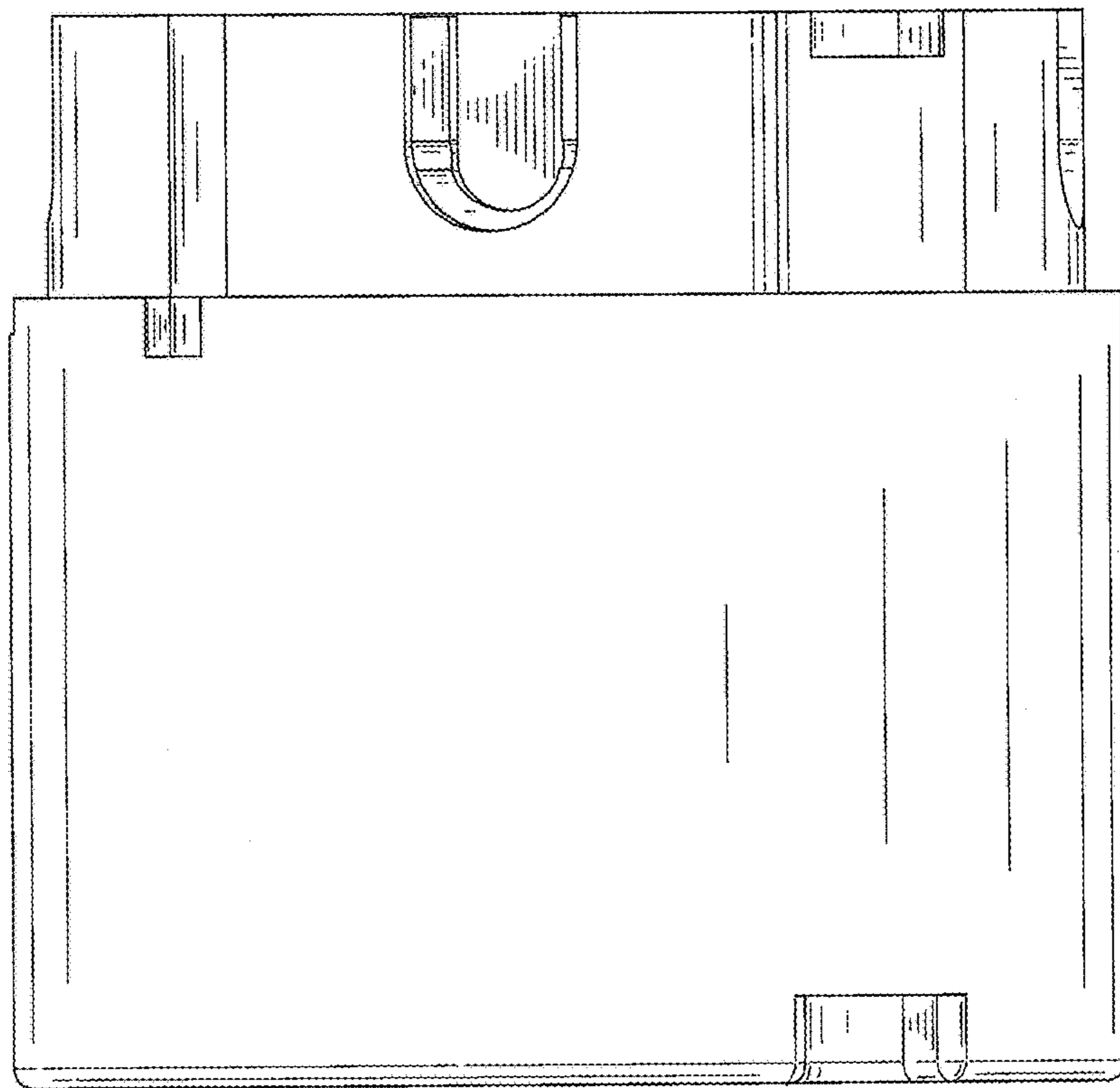


FIG. 5

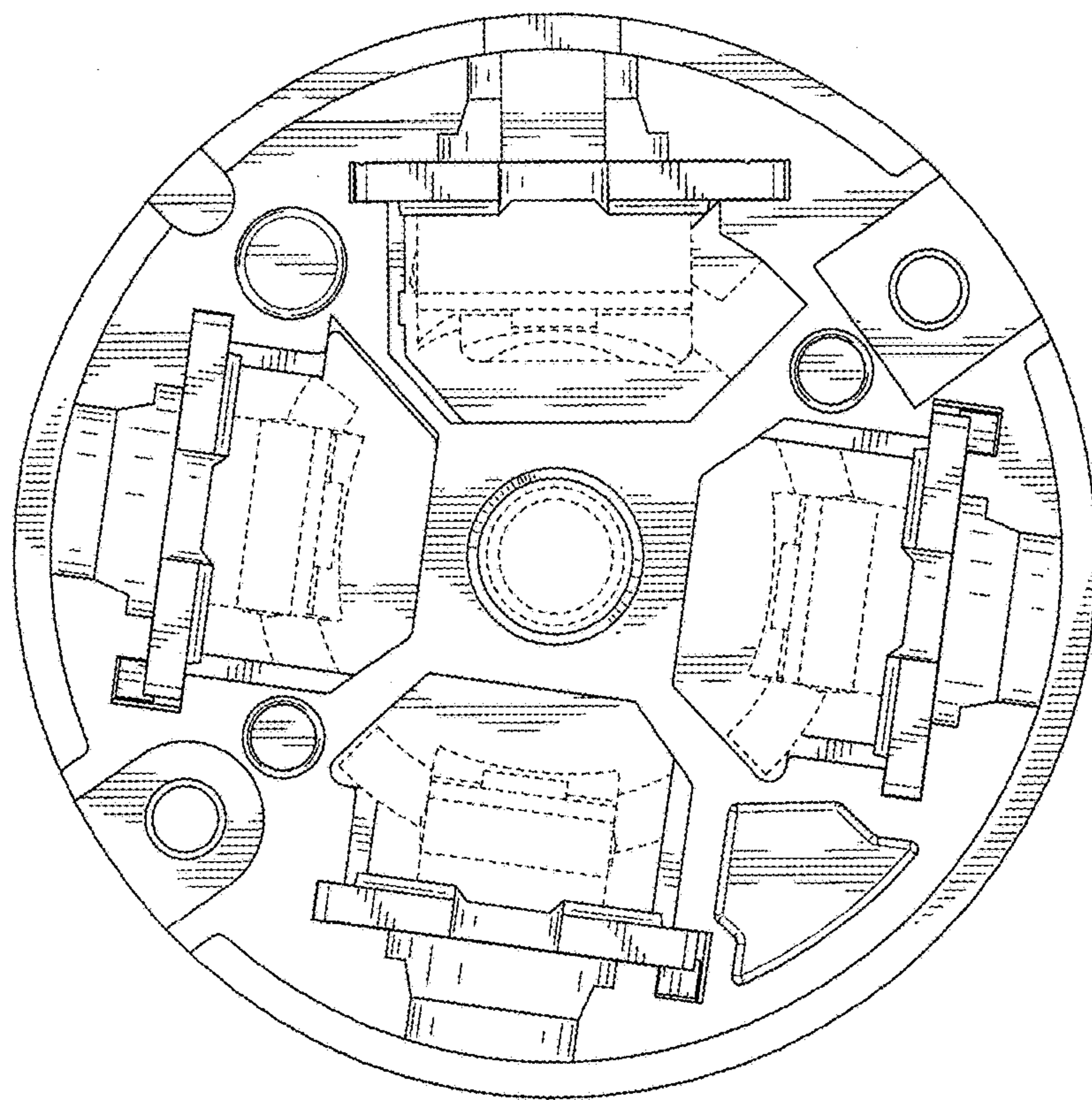


FIG. 6

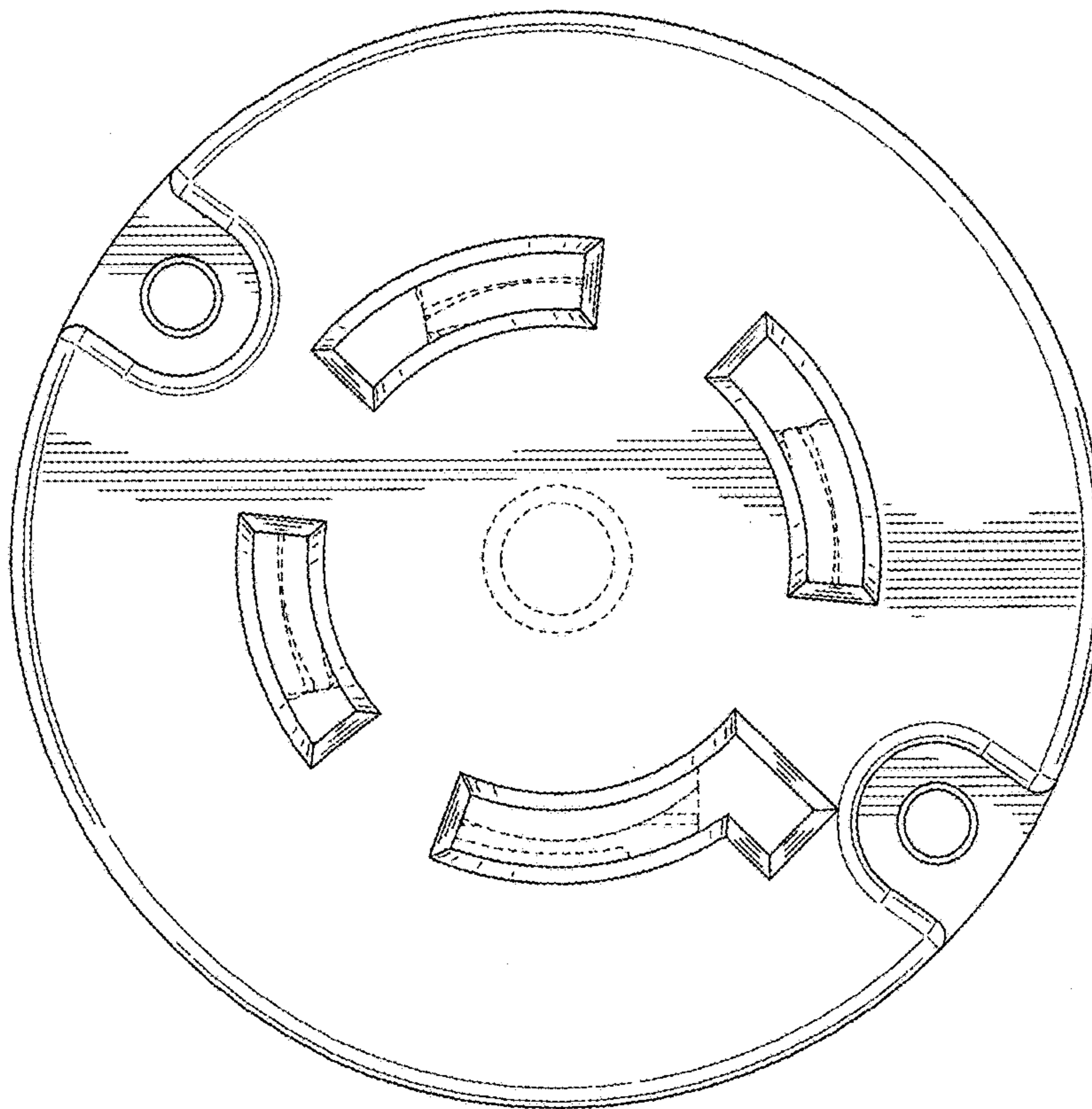


FIG. 7



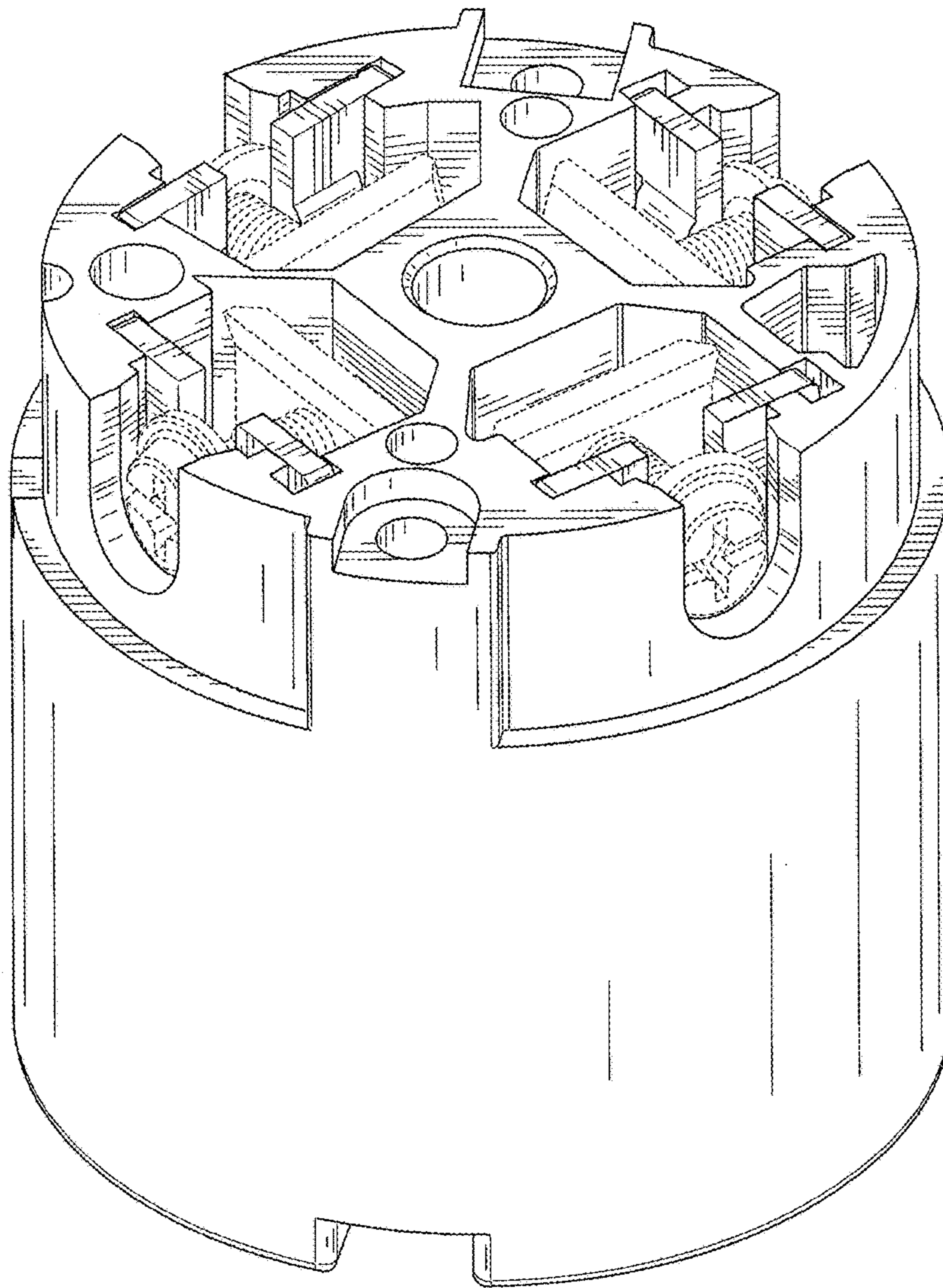


FIG. 8

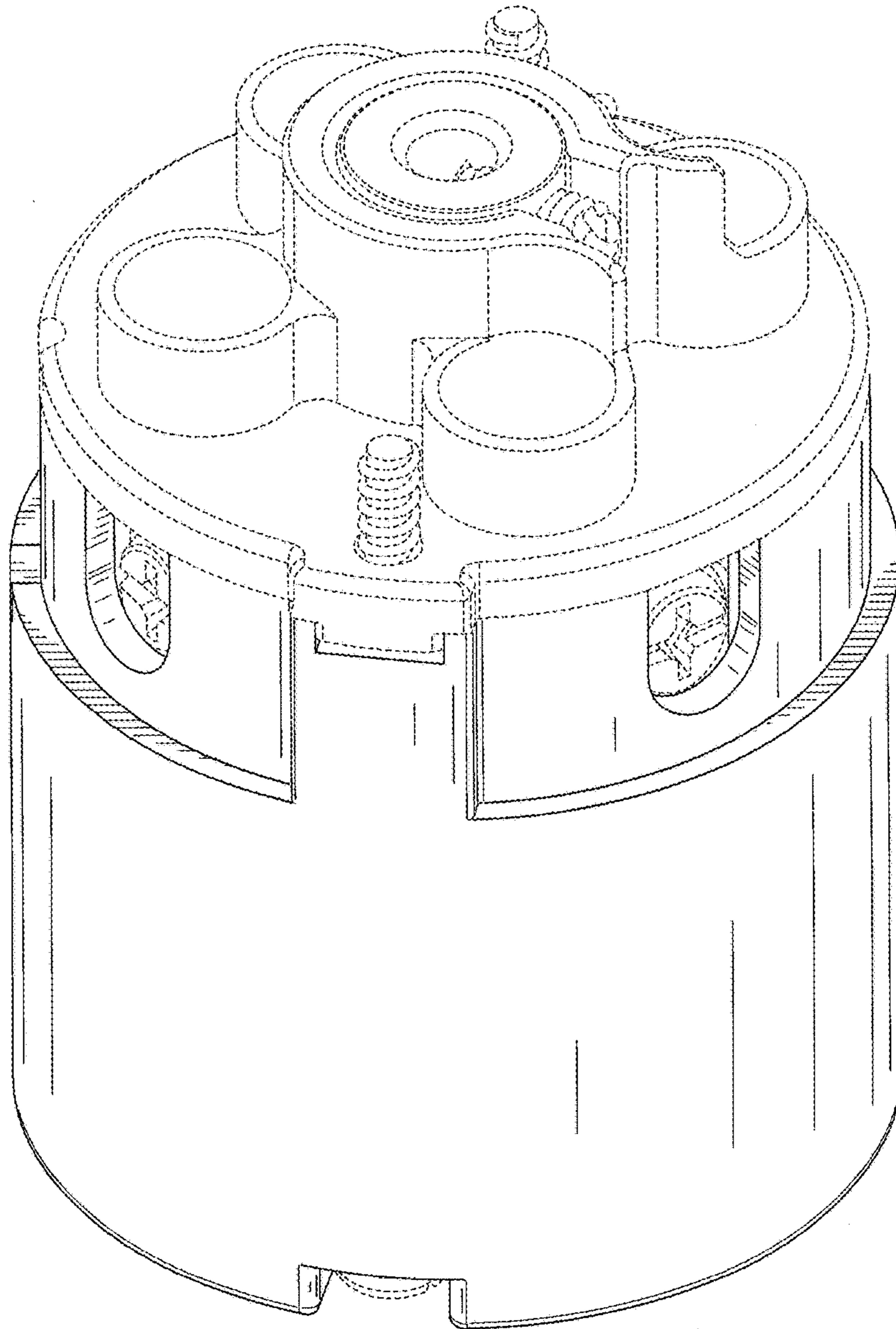


FIG. 9