



US00D845245S

(12) **United States Design Patent**  
**Tao**

(10) **Patent No.:** **US D845,245 S**

(45) **Date of Patent:** **\*\* Apr. 9, 2019**

(54) **SOCKET**

(71) Applicant: **NINGBO LITESUN ELECTRIC CO., LTD.**, Zhejiang (CN)

(72) Inventor: **Jiahuan Tao**, Ningbo (CN)

(73) Assignee: **NINGBO LITESUN ELECTRIC CO., LTD.**, Zhejiang (CN)

(\*\*) Term: **15 Years**

(21) Appl. No.: **29/599,601**

(22) Filed: **Apr. 5, 2017**

(30) **Foreign Application Priority Data**

Dec. 22, 2016 (CN) ..... 2016 3 0638281

(51) **LOC (11) Cl.** ..... **13-03**

(52) **U.S. Cl.**  
USPC ..... **D13/139.3**

(58) **Field of Classification Search**

USPC ..... D13/152, 119, 147, 156, 177, 184, 107,  
D13/108, 110, 123, 133, 137.1–137.4,  
(Continued)

(56) **References Cited**

**U.S. PATENT DOCUMENTS**

D419,531 S \* 1/2000 Keung ..... D13/139.3  
D515,505 S \* 2/2006 Lin ..... D13/139.6  
(Continued)

**OTHER PUBLICATIONS**

Amazon.com: BESTTEN Temper Resistant Receptacle Outlet. Published Oct. 31, 2016. Retrieved from the internet at <<https://www.amazon.com/BESTTEN-Resistant-Receptacle-Chargers-Certified/dp/B01M9I2SDU/>>, Jun. 8, 2018. 1 page. (Year: 2016).\*

*Primary Examiner* — Rosemary K Tarcza

*Assistant Examiner* — Christy Nemeth

(74) *Attorney, Agent, or Firm* — Andrew F. Young, Esq.;  
Lackebach Siegel, LLP

(57) **CLAIM**

The ornamental design for a socket, as shown and described.

**DESCRIPTION**

FIG. 1 is a front elevation view of a socket, according to a first embodiment.

FIG. 2 is a rear elevation view thereof.

FIG. 3 is a left side elevation view thereof.

FIG. 4 is a right side elevation view thereof.

FIG. 5 is a top plan view thereof.

FIG. 6 is a bottom plan view thereof.

FIG. 7 is a front, right-side perspective view thereof.

FIG. 8 is a front, top, left-side perspective view thereof.

FIG. 9 is a front, top, right-side perspective view thereof.

FIG. 10 is a rear, bottom, right-side perspective view thereof.

FIG. 11 is a rear, bottom, left-side perspective view thereof.

FIG. 12 is a front elevation view of a socket, according to a second embodiment.

FIG. 13 is a rear elevation view thereof.

FIG. 14 is a left side elevation view thereof.

FIG. 15 is a right side elevation view thereof.

FIG. 16 is a top plan view thereof.

FIG. 17 is a bottom plan view thereof.

FIG. 18 is a front, right-side perspective view thereof.

FIG. 19 is a front, top, left-side perspective view thereof.

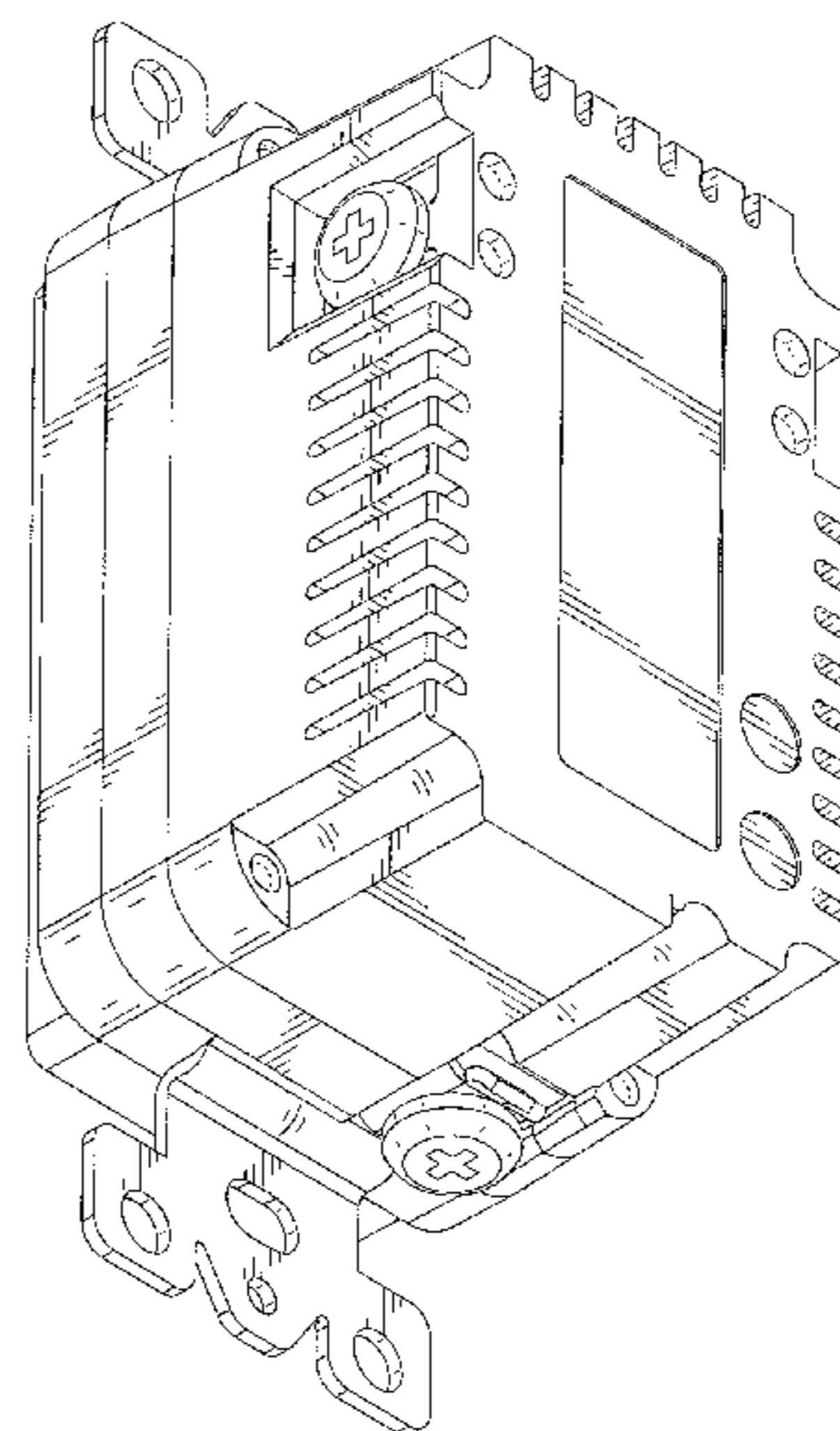
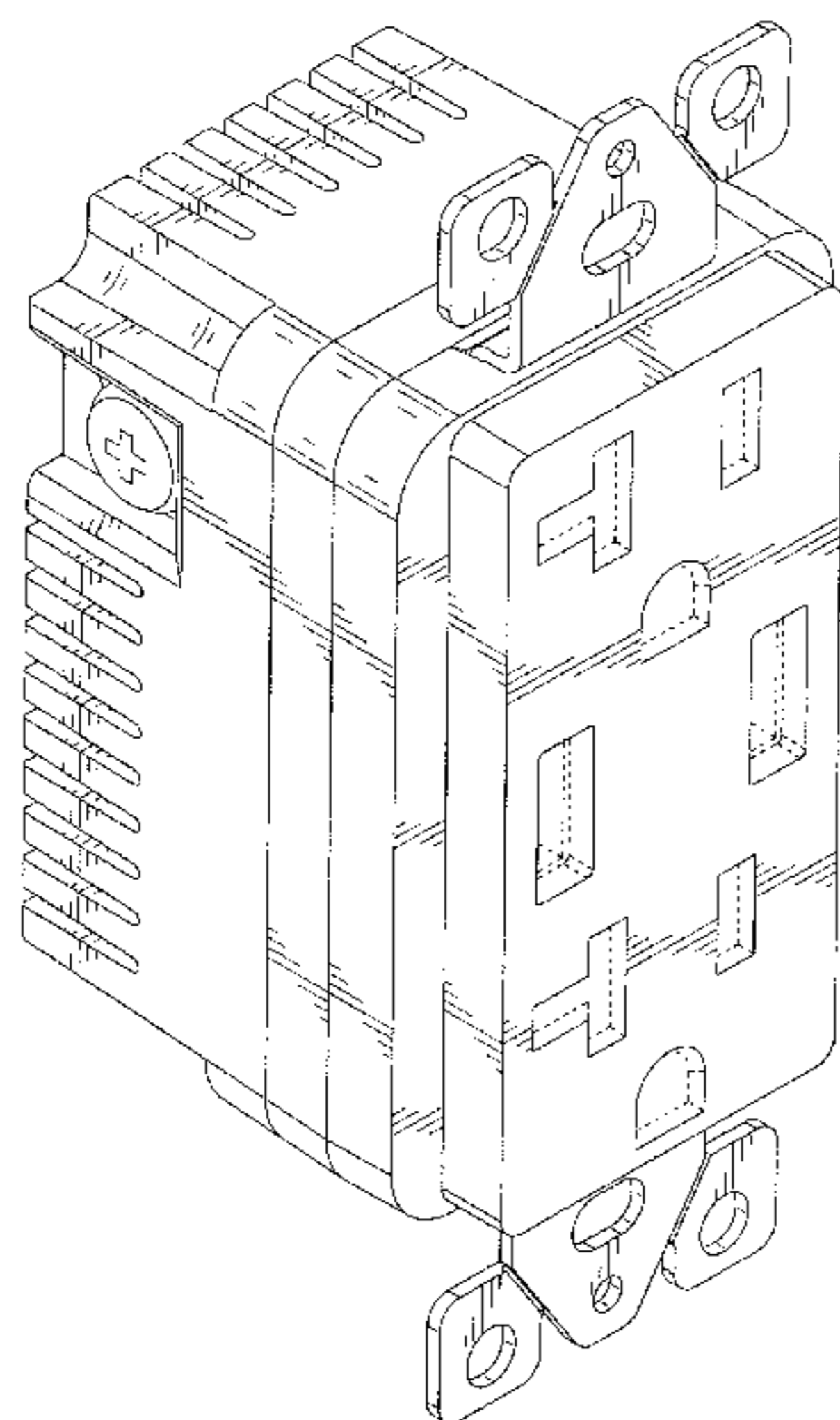
FIG. 20 is a front, top, right-side perspective view thereof.

FIG. 21 is a rear, bottom, right-side perspective view thereof; and,

FIG. 22 is a rear, bottom left-side perspective view thereof.

The broken lines in the drawings are for the purpose of illustrating portions of the socket that form no part of the claimed design.

**1 Claim, 22 Drawing Sheets**



(58) **Field of Classification Search**

USPC ... D13/138.1–138.2, 139.1–139.8, 153, 154,  
D13/146, 158; D8/350, 351–353;  
D25/119, 127, 134, 48.4; D26/74, 138  
CPC ..... F21S 8/02; F21V 23/00; F21V 23/001;  
H01R 25/00; H01R 25/006; H01R 11/00;  
H01R 9/00; F16J 13/10; F16B 5/02  
See application file for complete search history.

(56) **References Cited**

U.S. PATENT DOCUMENTS

D558,676	S	*	1/2008	Fort	.....	D13/139.3
D601,962	S	*	10/2009	Song	.....	D13/139.6
D674,753	S	*	1/2013	Jansen	.....	D13/139.1
D702,640	S	*	4/2014	Restrepo	.....	D13/139.1
D703,139	S	*	4/2014	Dodal	.....	D13/139.1
D719,512	S	*	12/2014	Roy	.....	D13/139.6
D722,562	S	*	2/2015	Restrepo	.....	D13/139.1
D731,432	S	*	6/2015	Murphy	.....	D13/139.1
D732,719	S	*	6/2015	Mozdzer	.....	D13/139.1
D744,423	S	*	12/2015	Junko	.....	D13/139.1
D744,952	S	*	12/2015	Ni	.....	D13/139.3
D778,239	S	*	2/2017	Ni	.....	D13/108
D794,575	S	*	8/2017	Mortun	.....	D13/139.1
D800,662	S	*	10/2017	Wu	.....	D13/137.1
D813,818	S	*	3/2018	Ni	.....	D13/137.2

\* cited by examiner

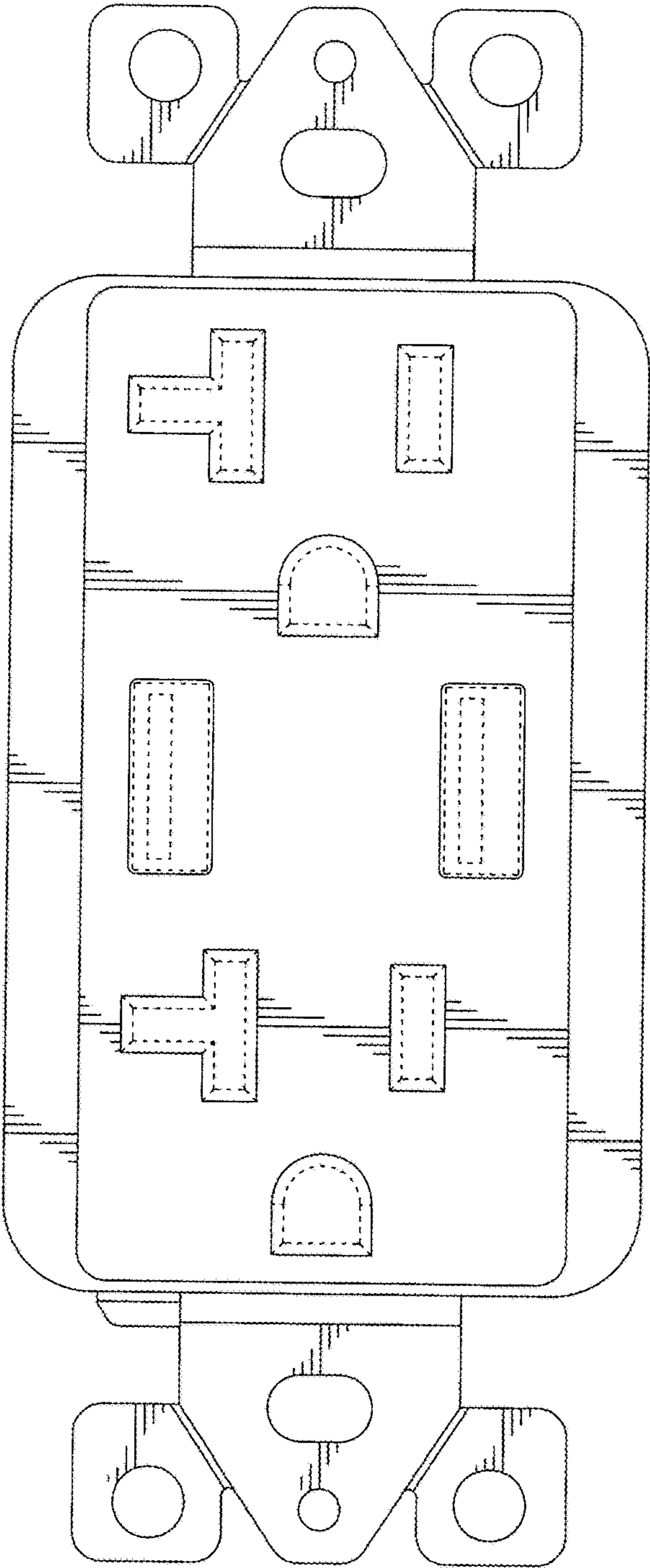


FIG.1

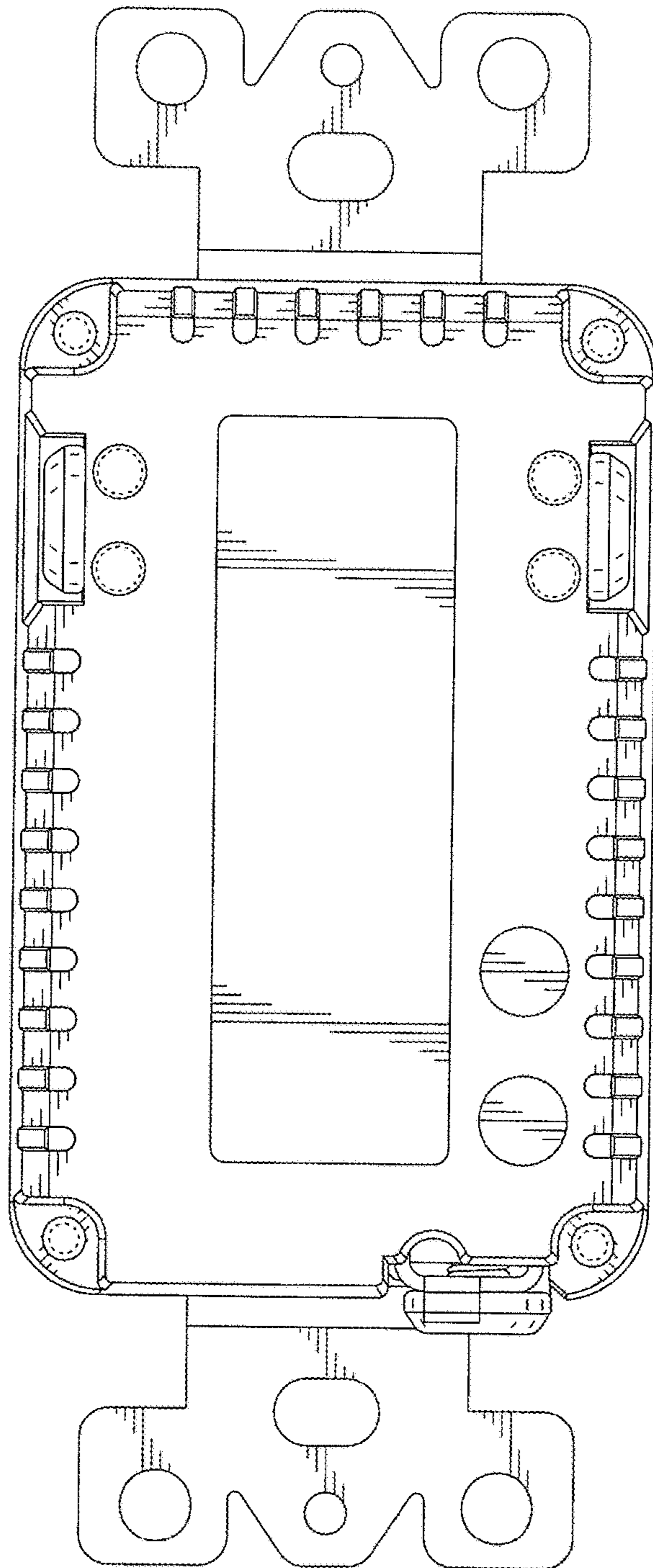


FIG.2

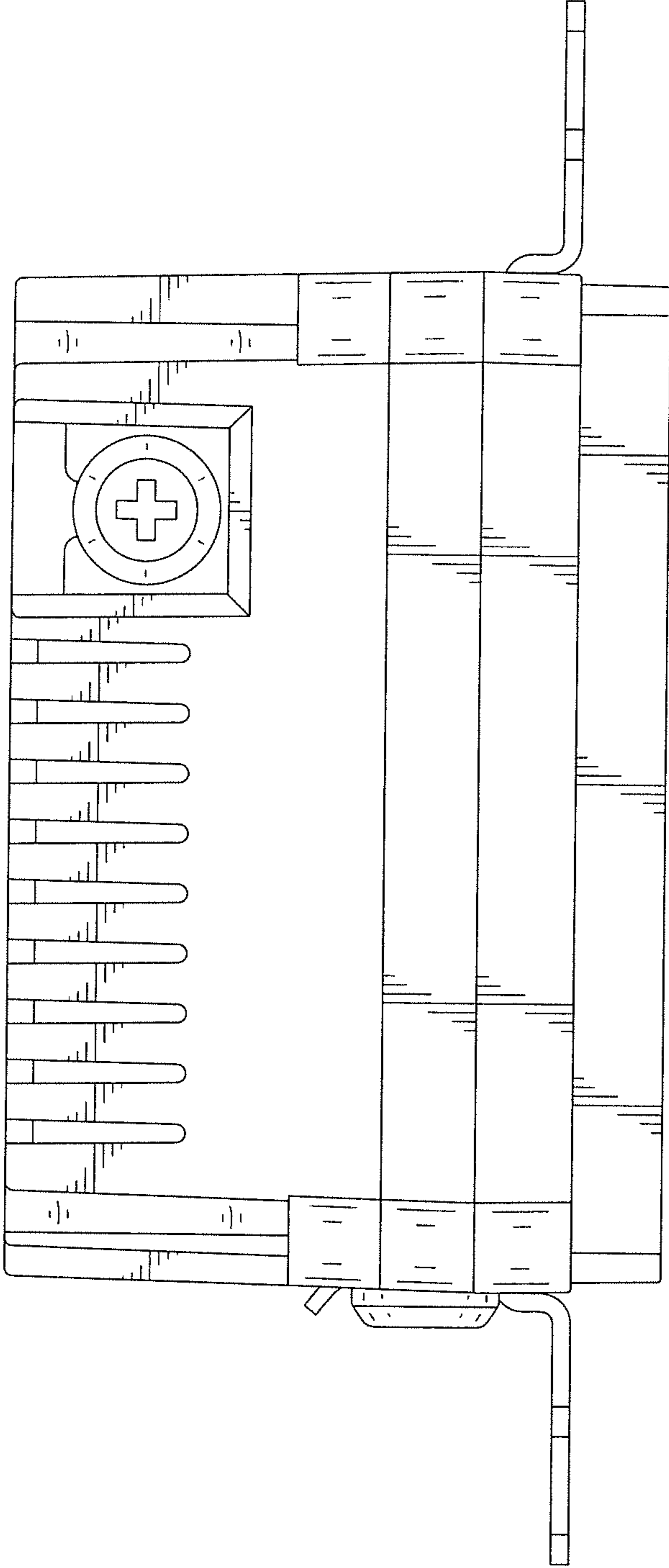


FIG.3

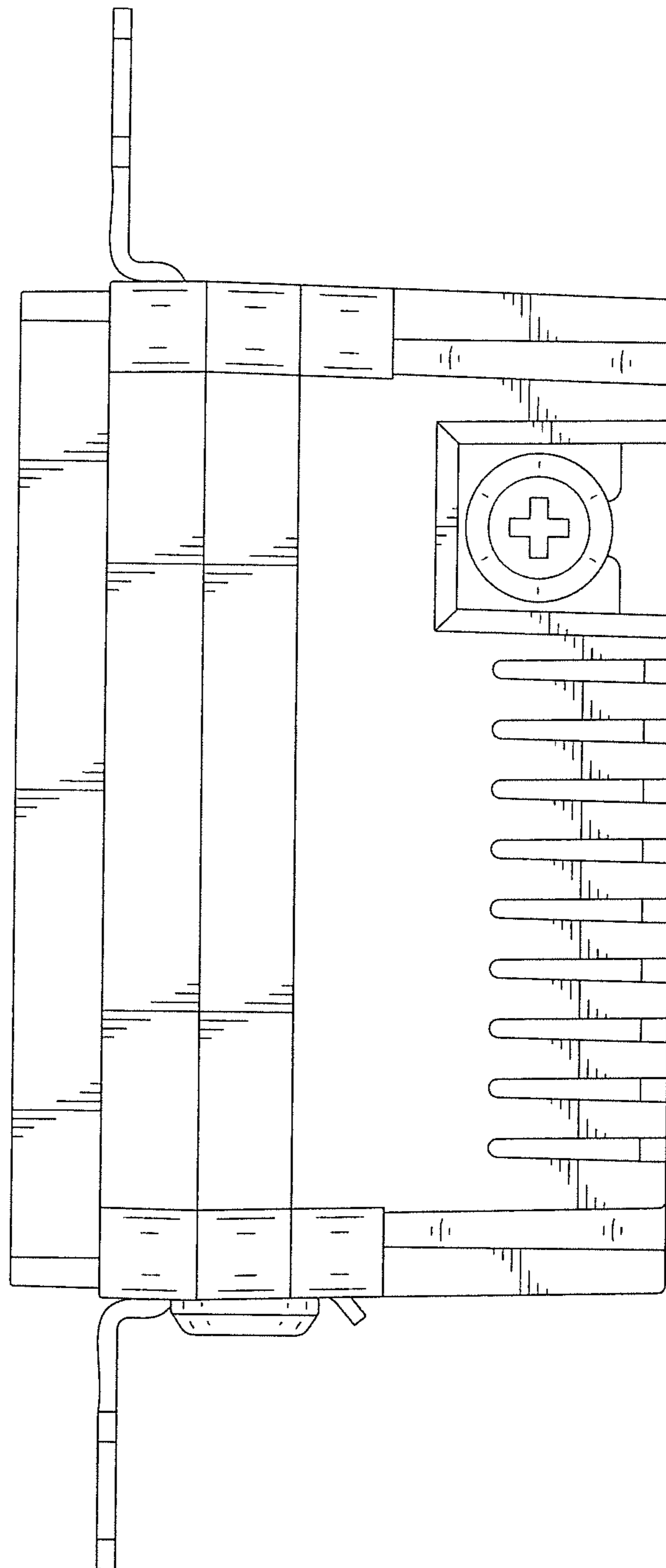


FIG.4

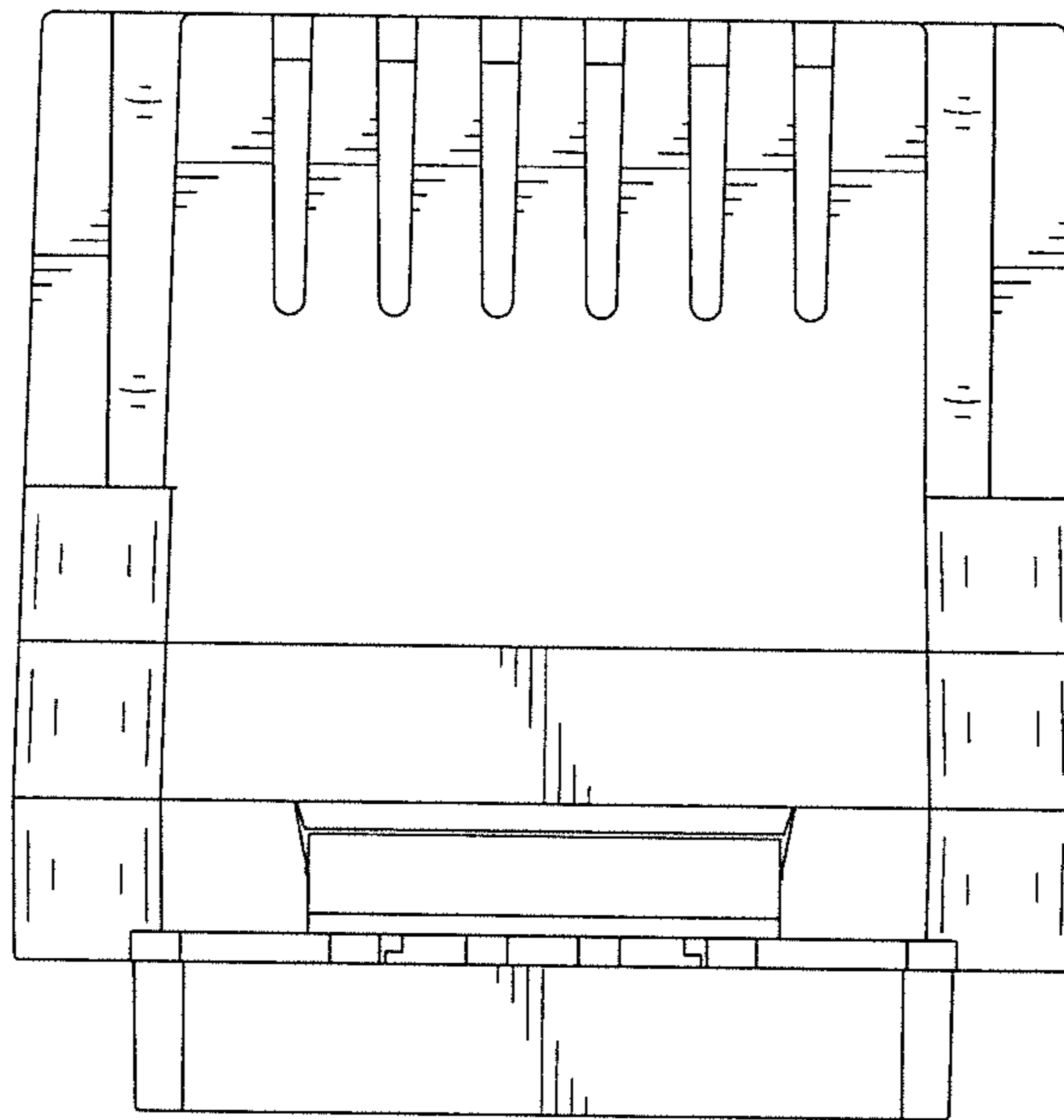


FIG.5

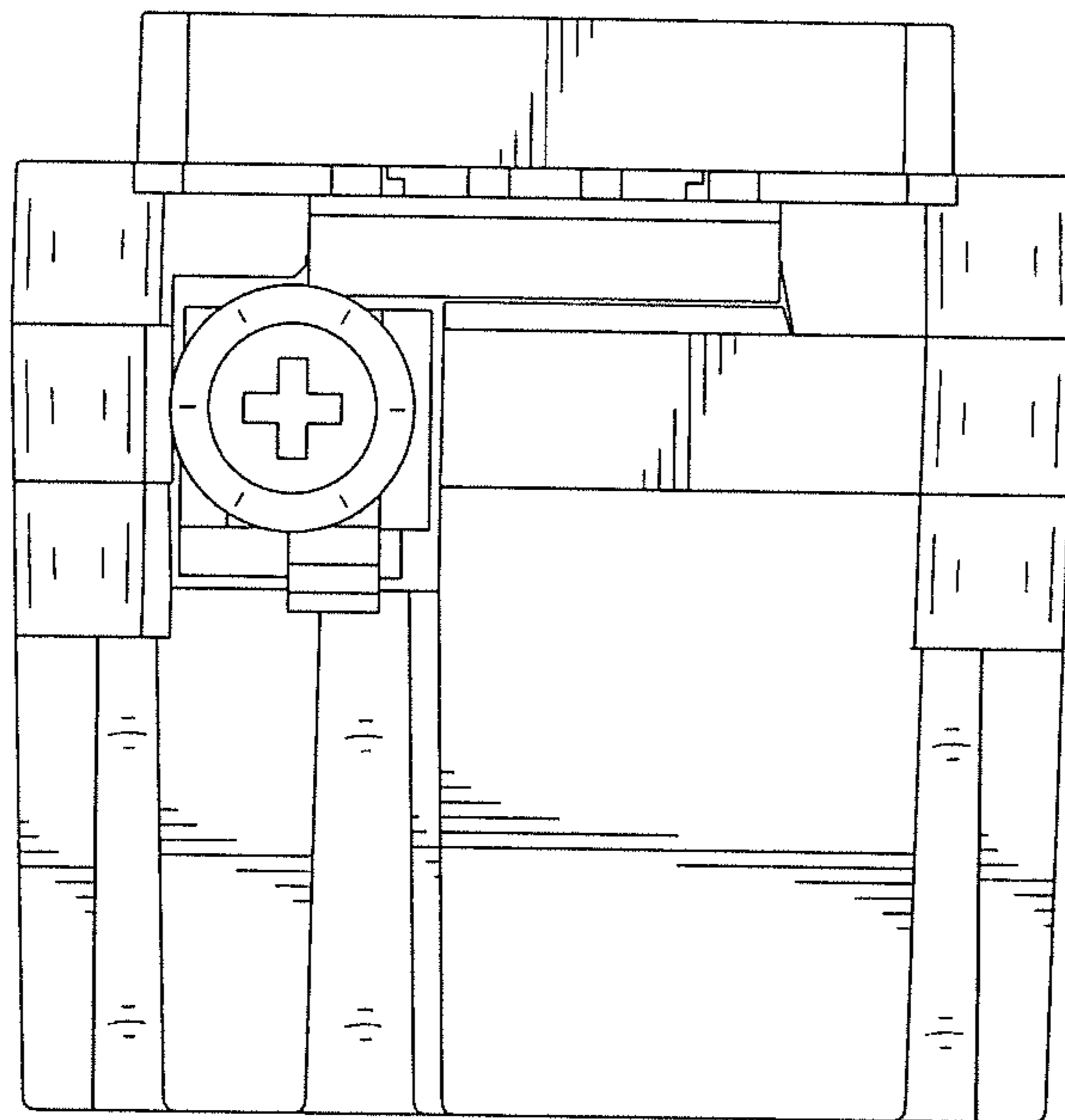


FIG.6



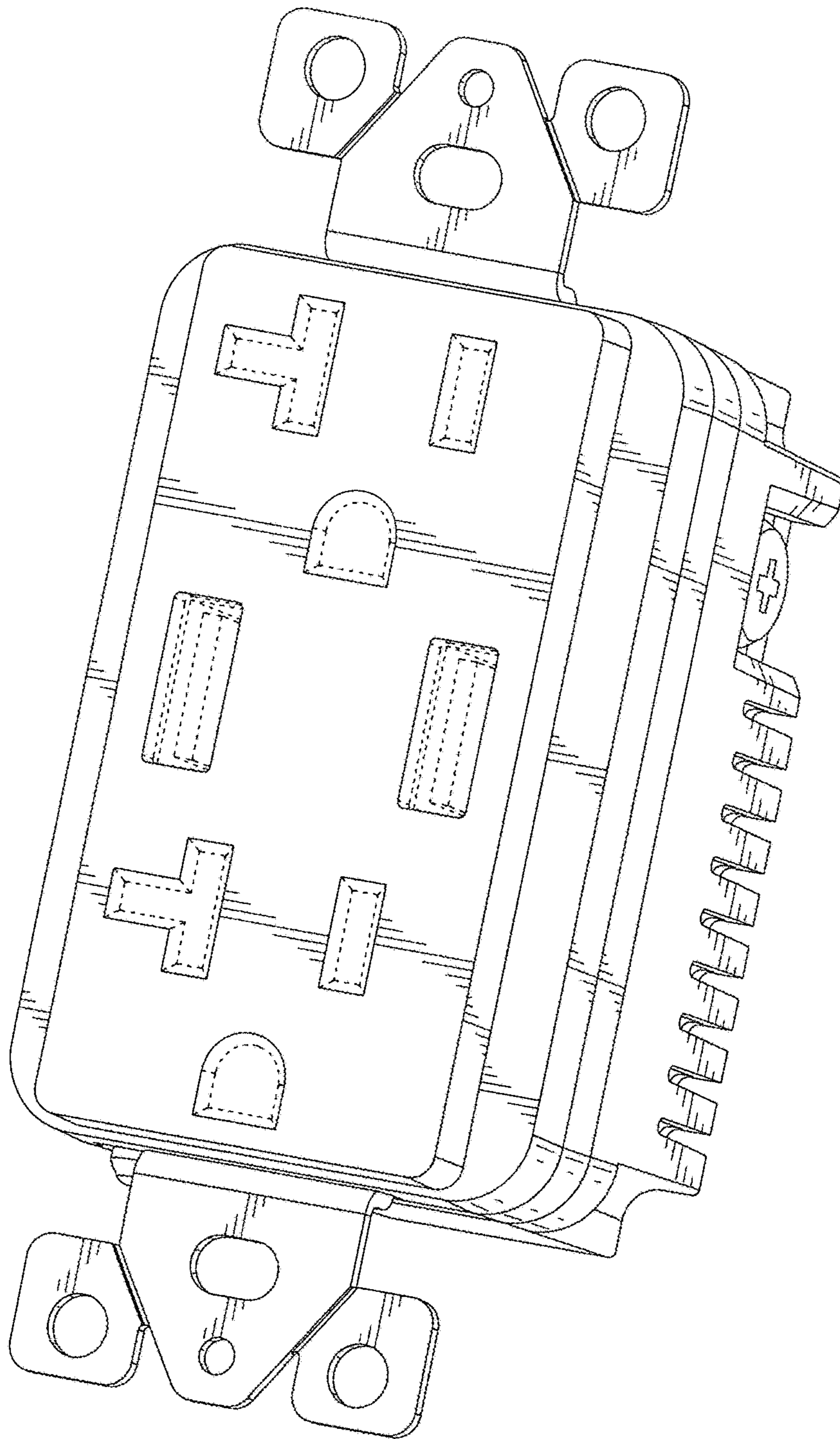


FIG.7

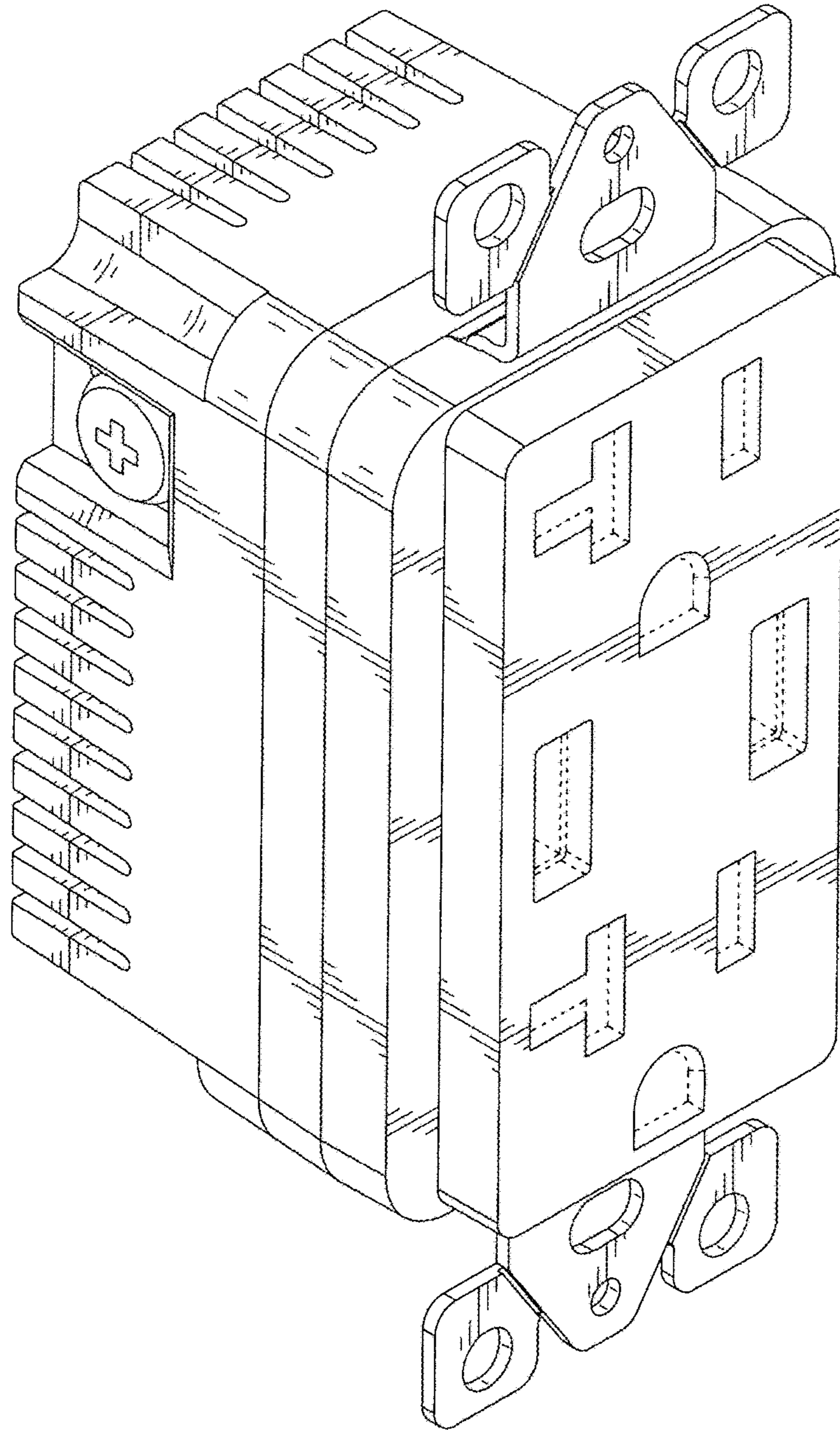


FIG.8

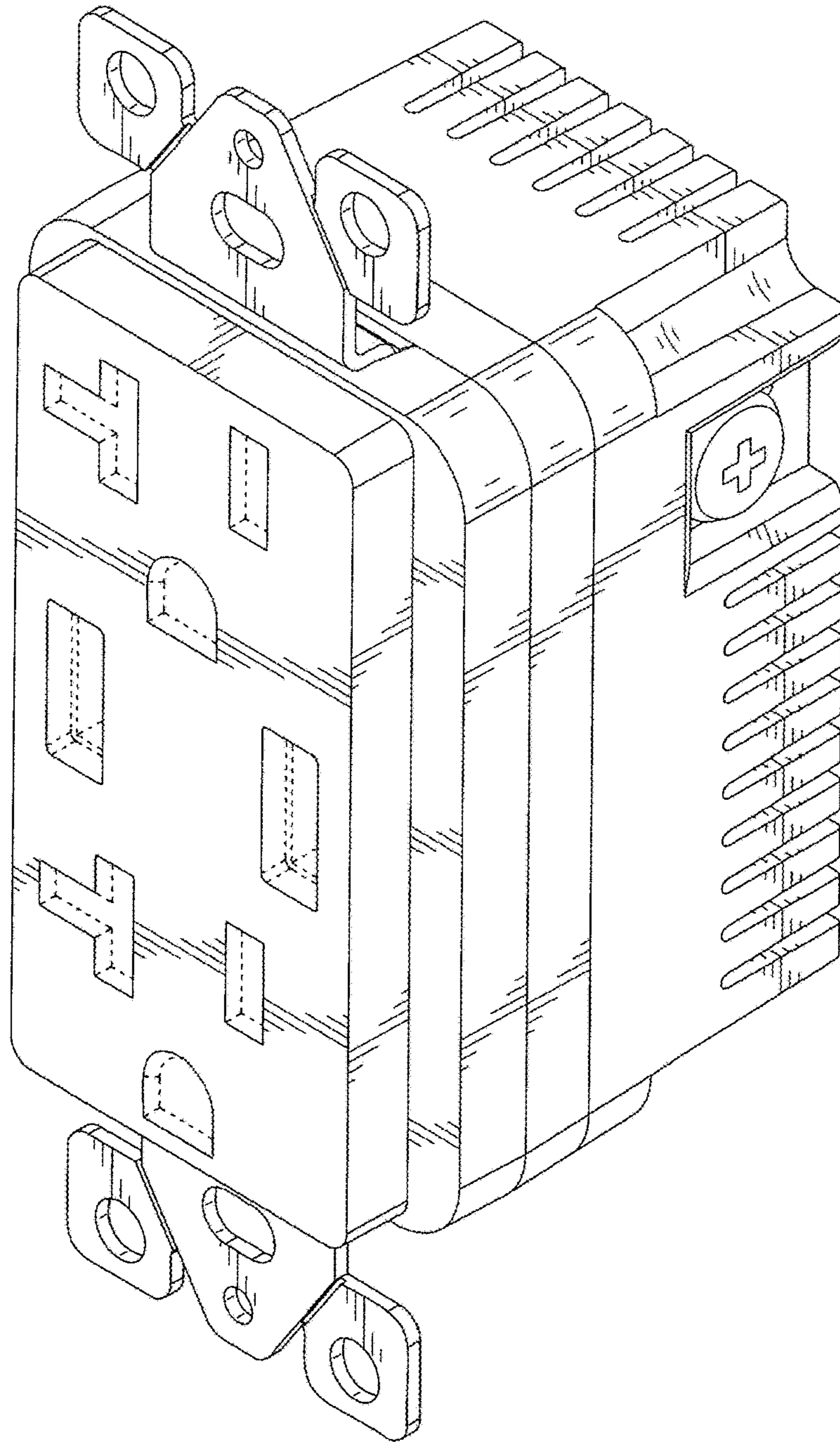


FIG.9

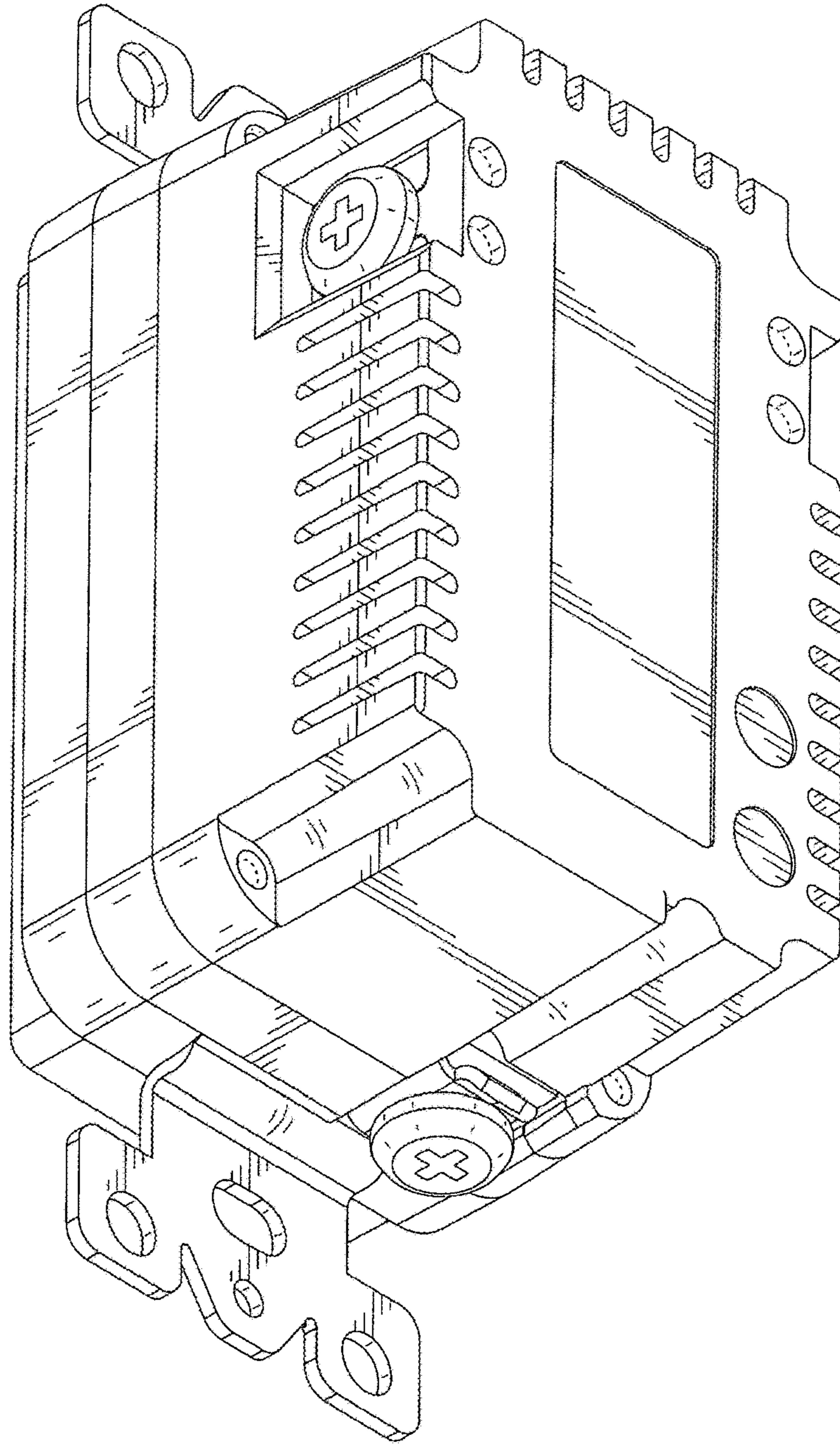


FIG.10

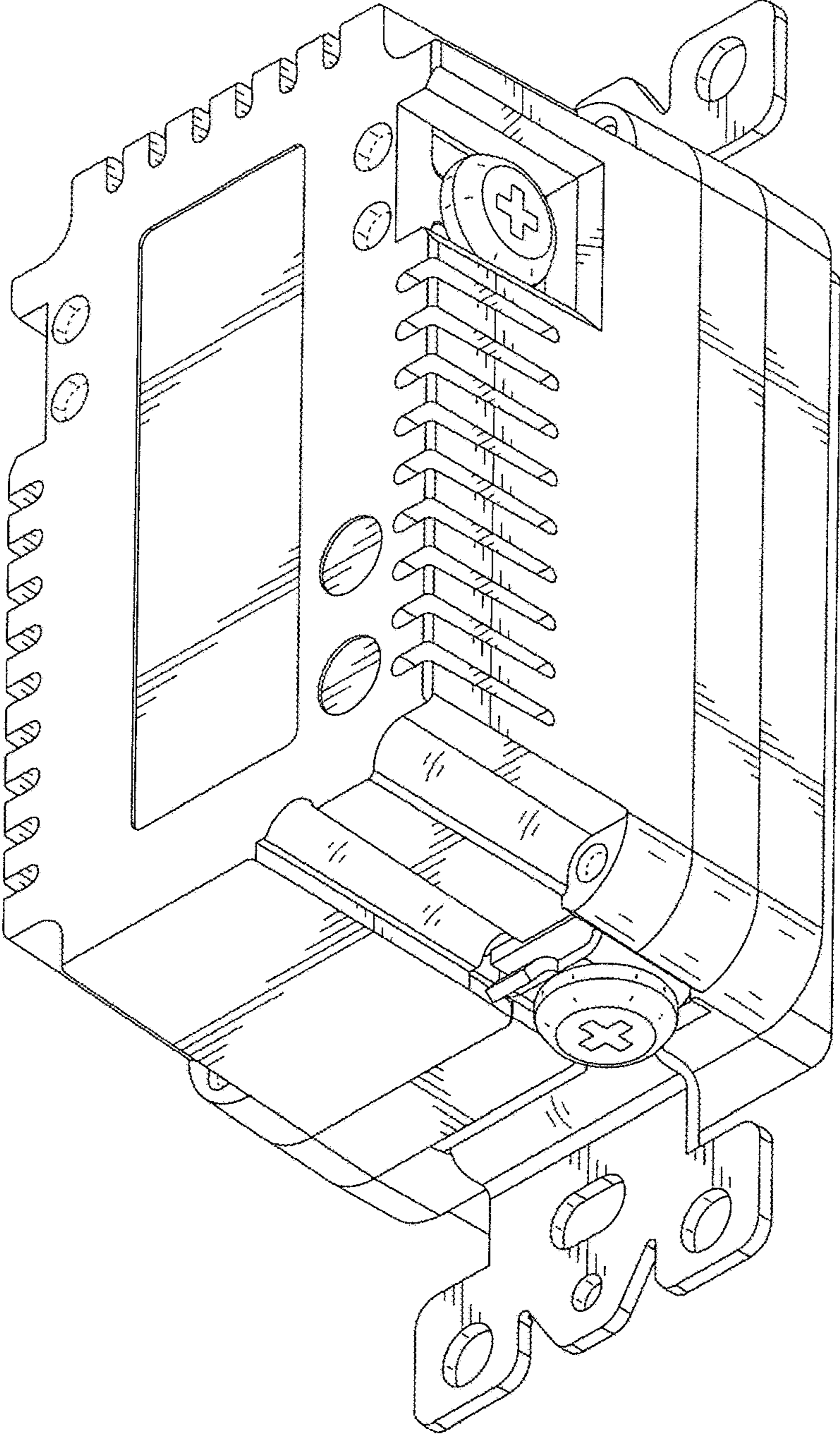


FIG.11

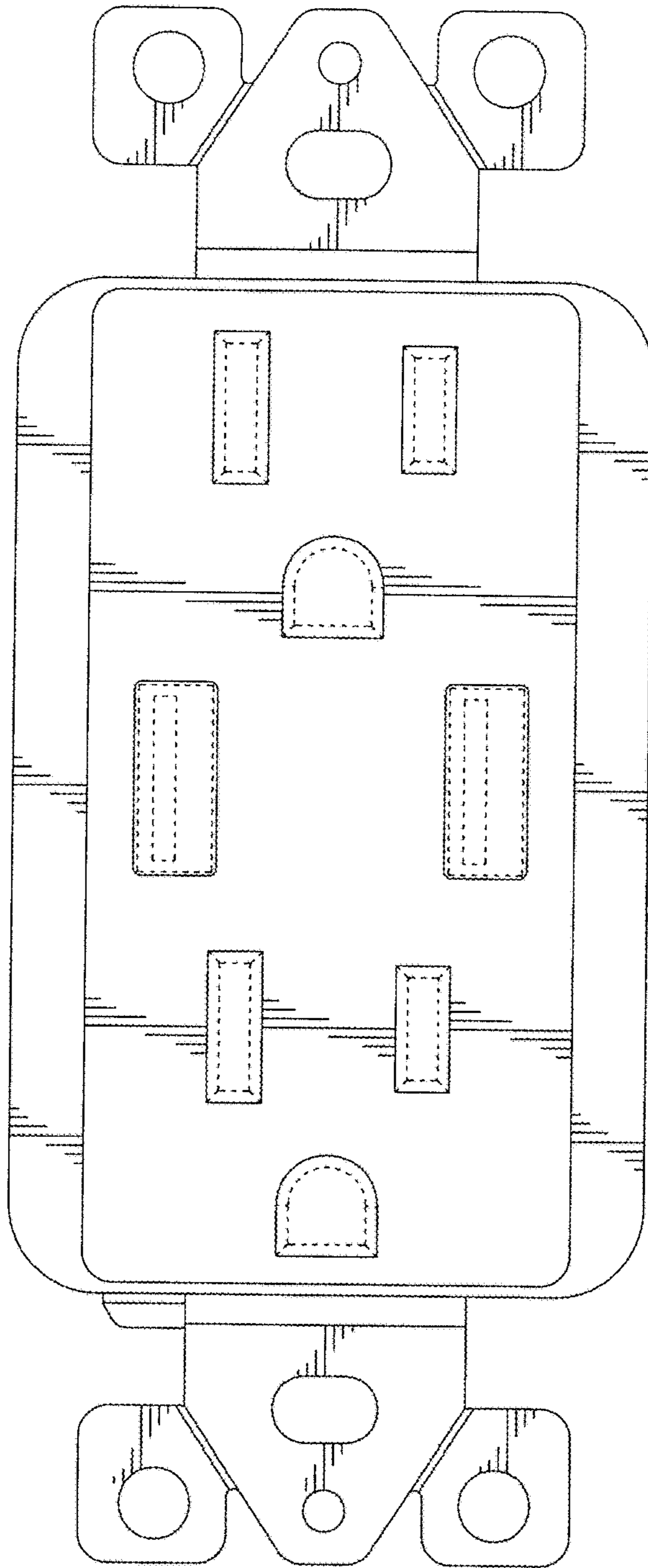


FIG.12

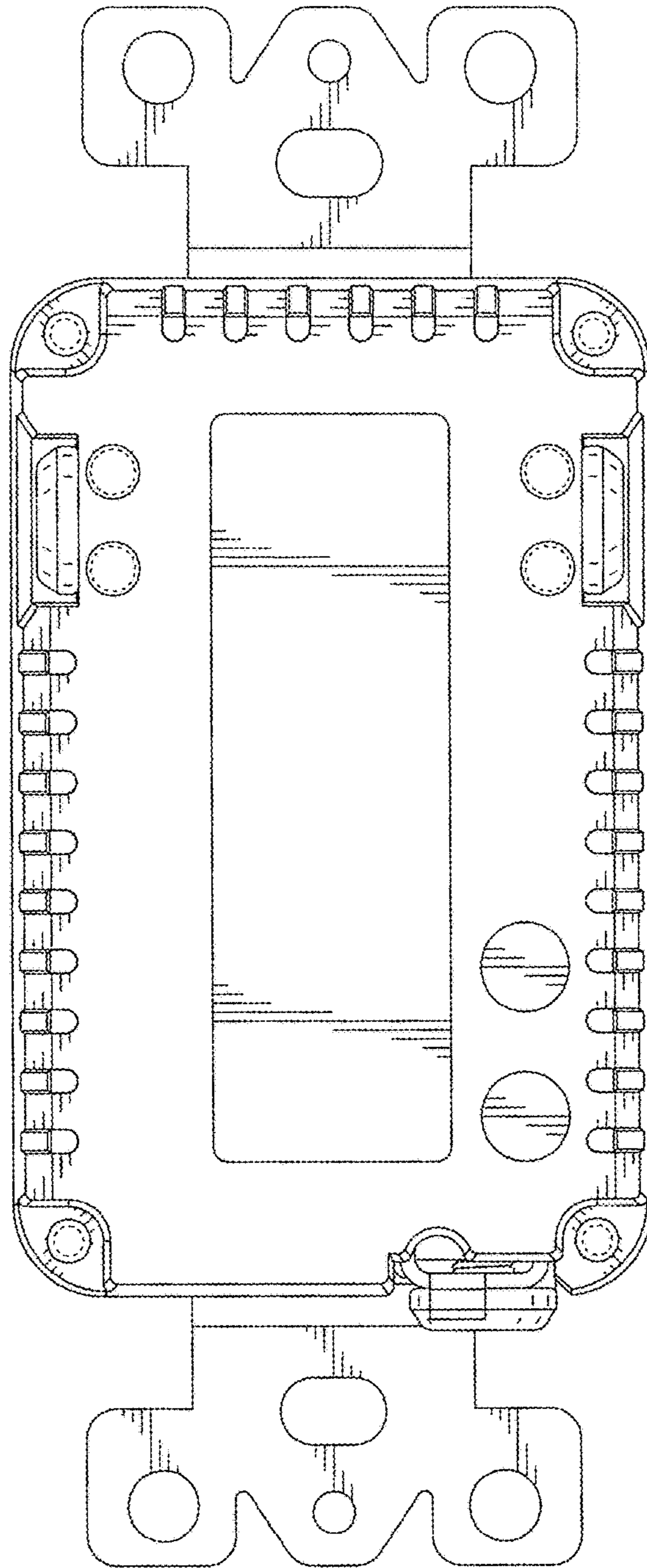


FIG.13

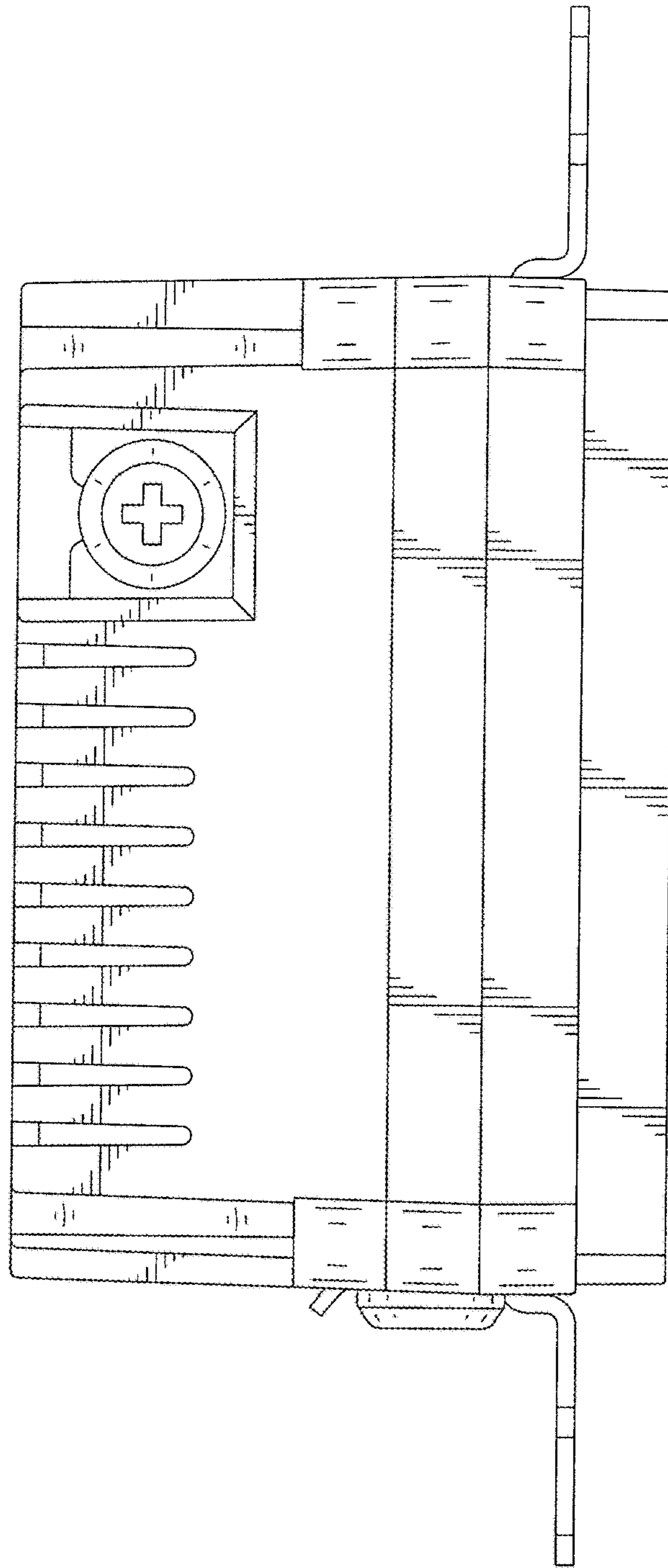


FIG.14



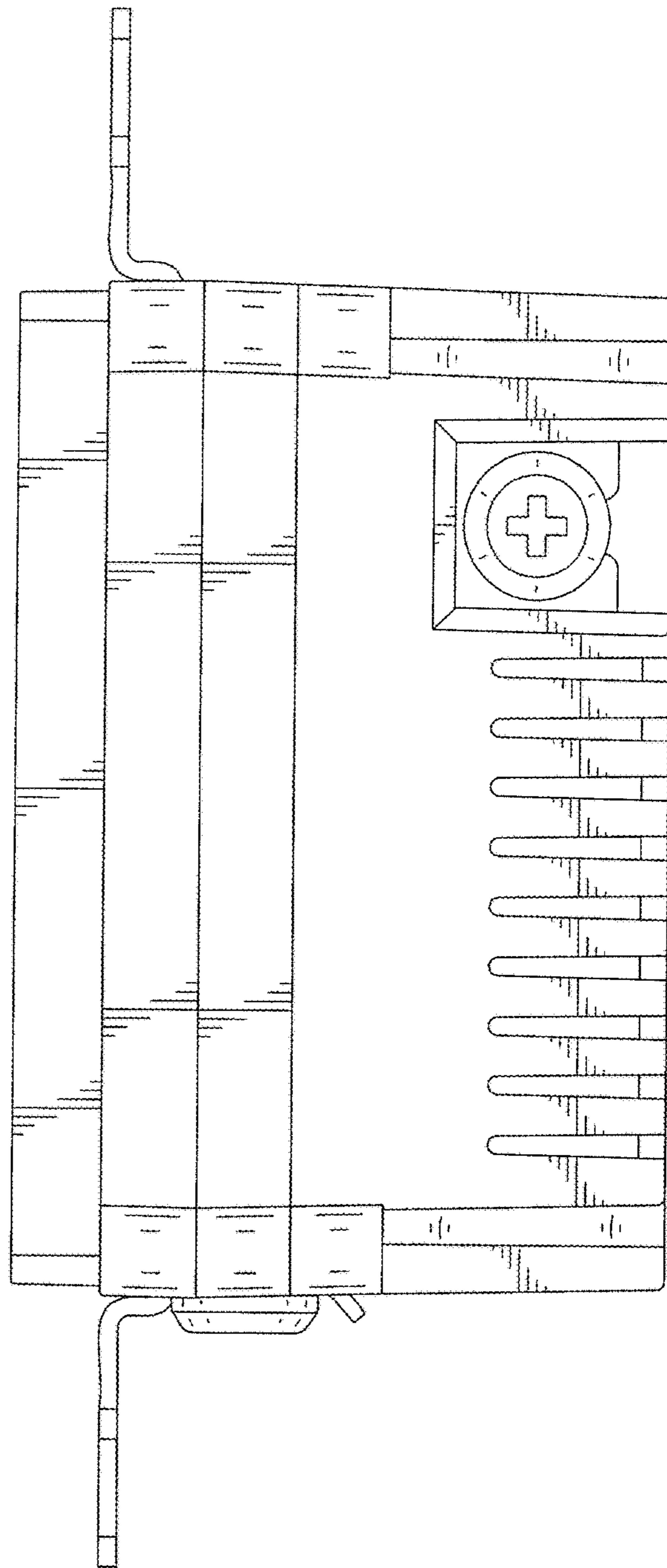


FIG.15

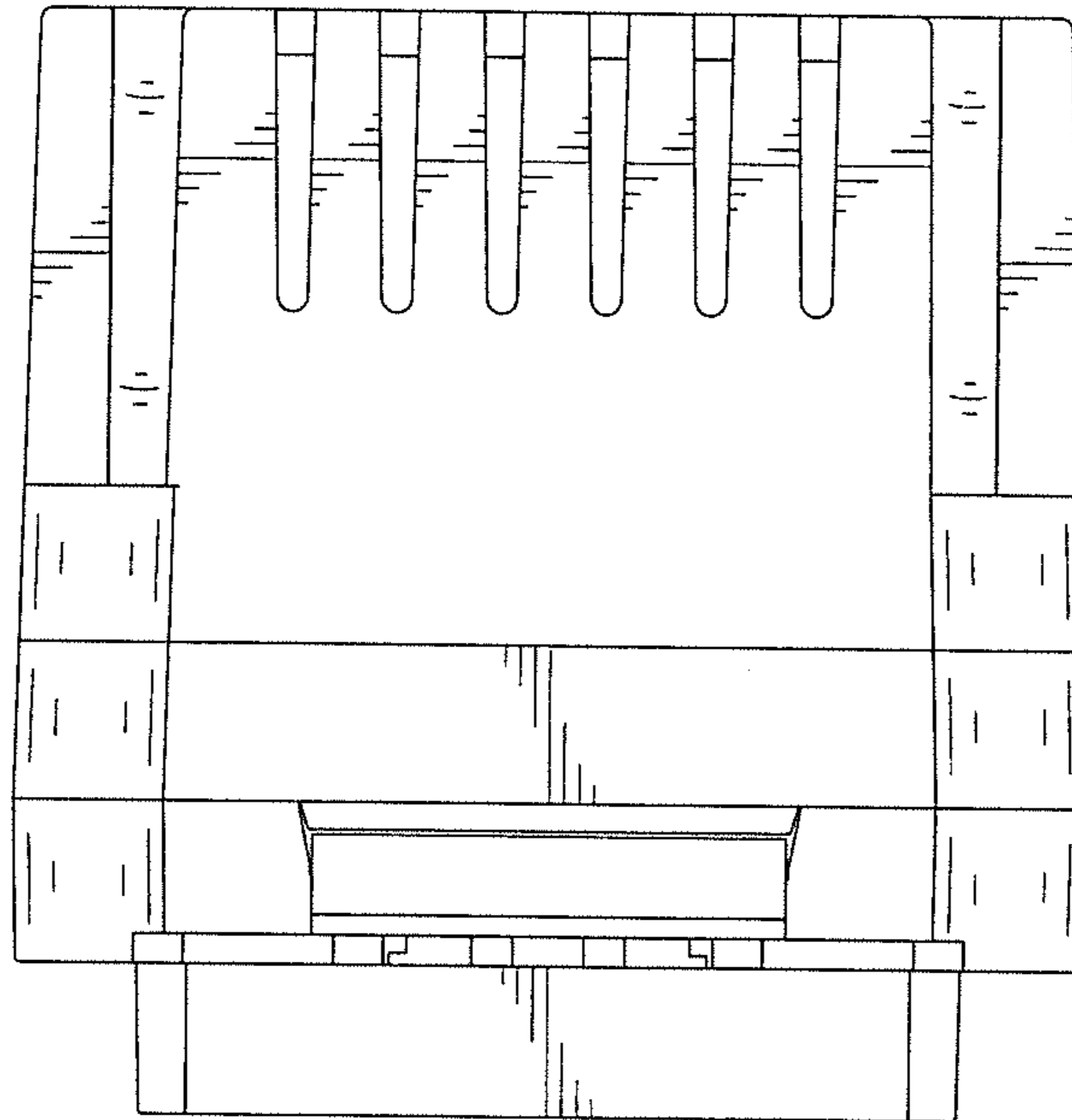


FIG.16

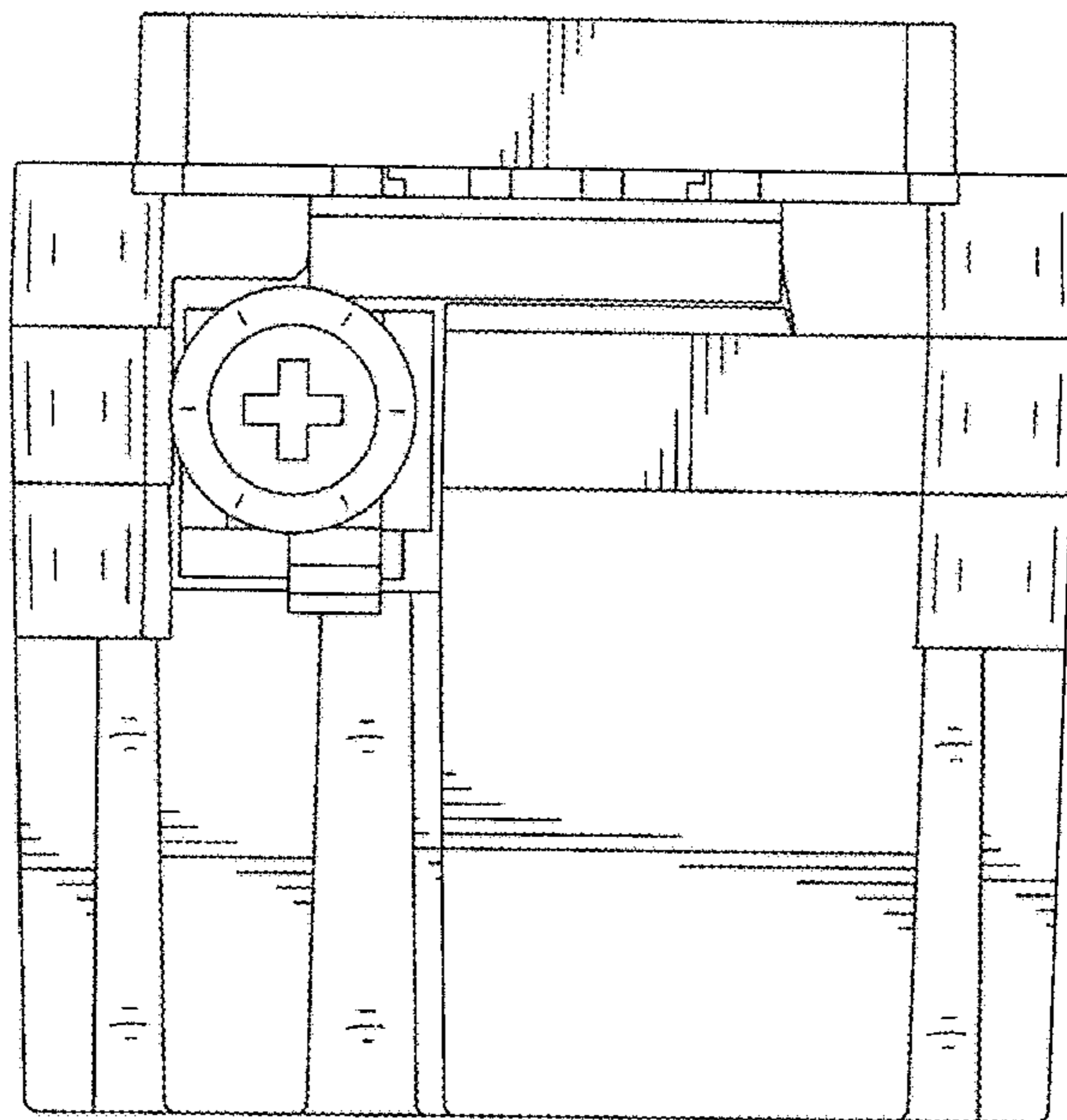


FIG.17

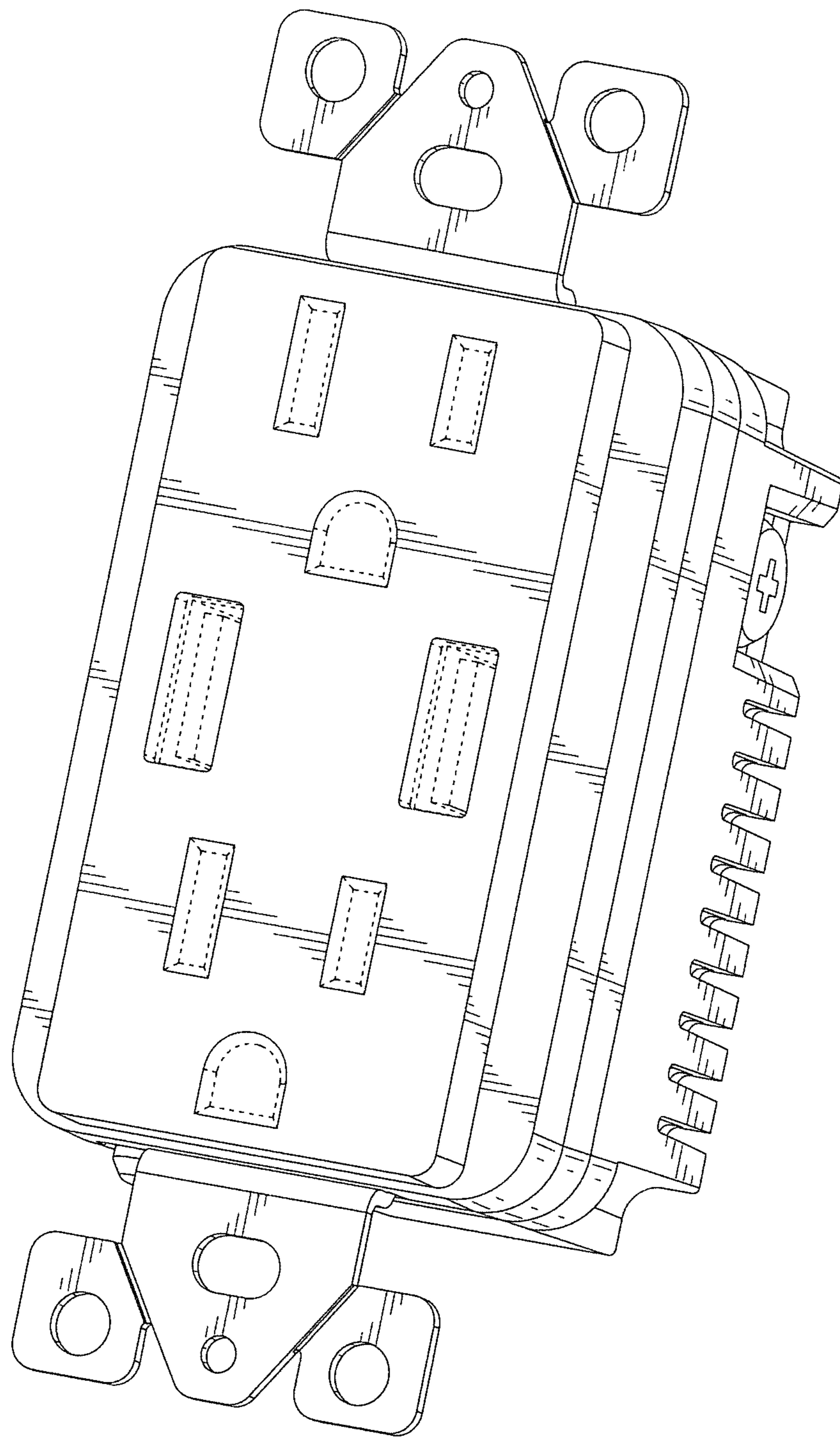


FIG.18

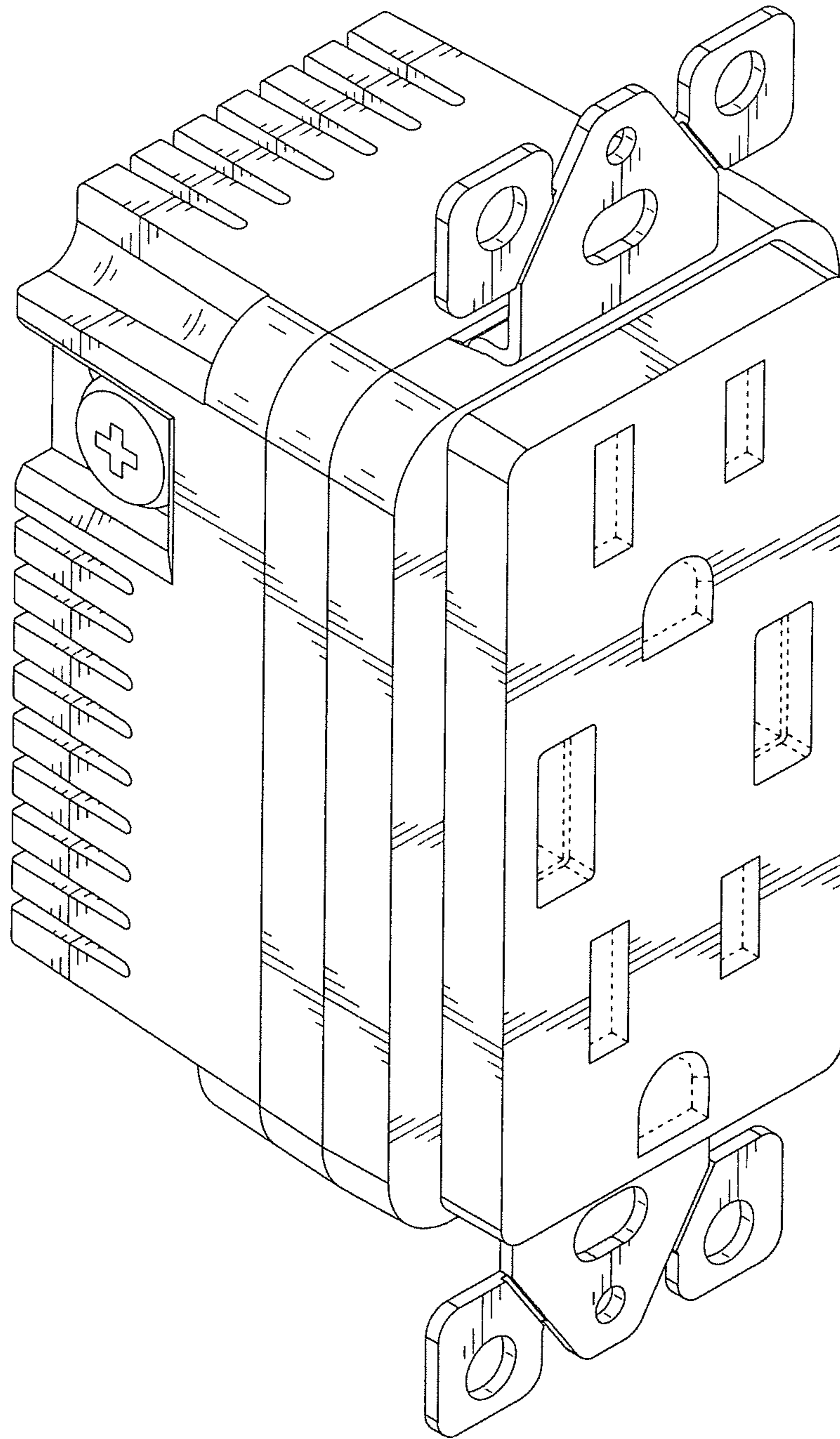


FIG.19

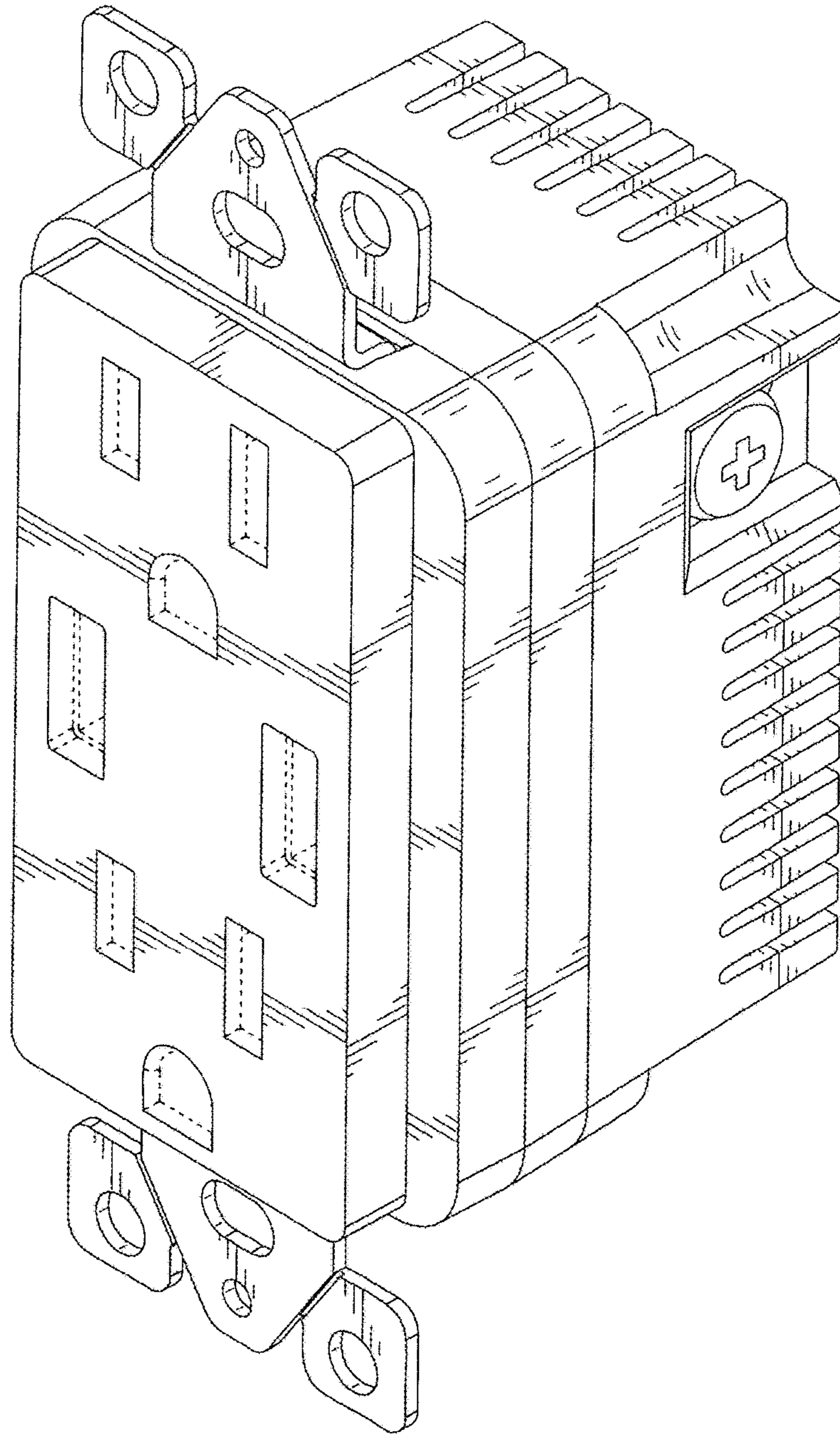


FIG.20

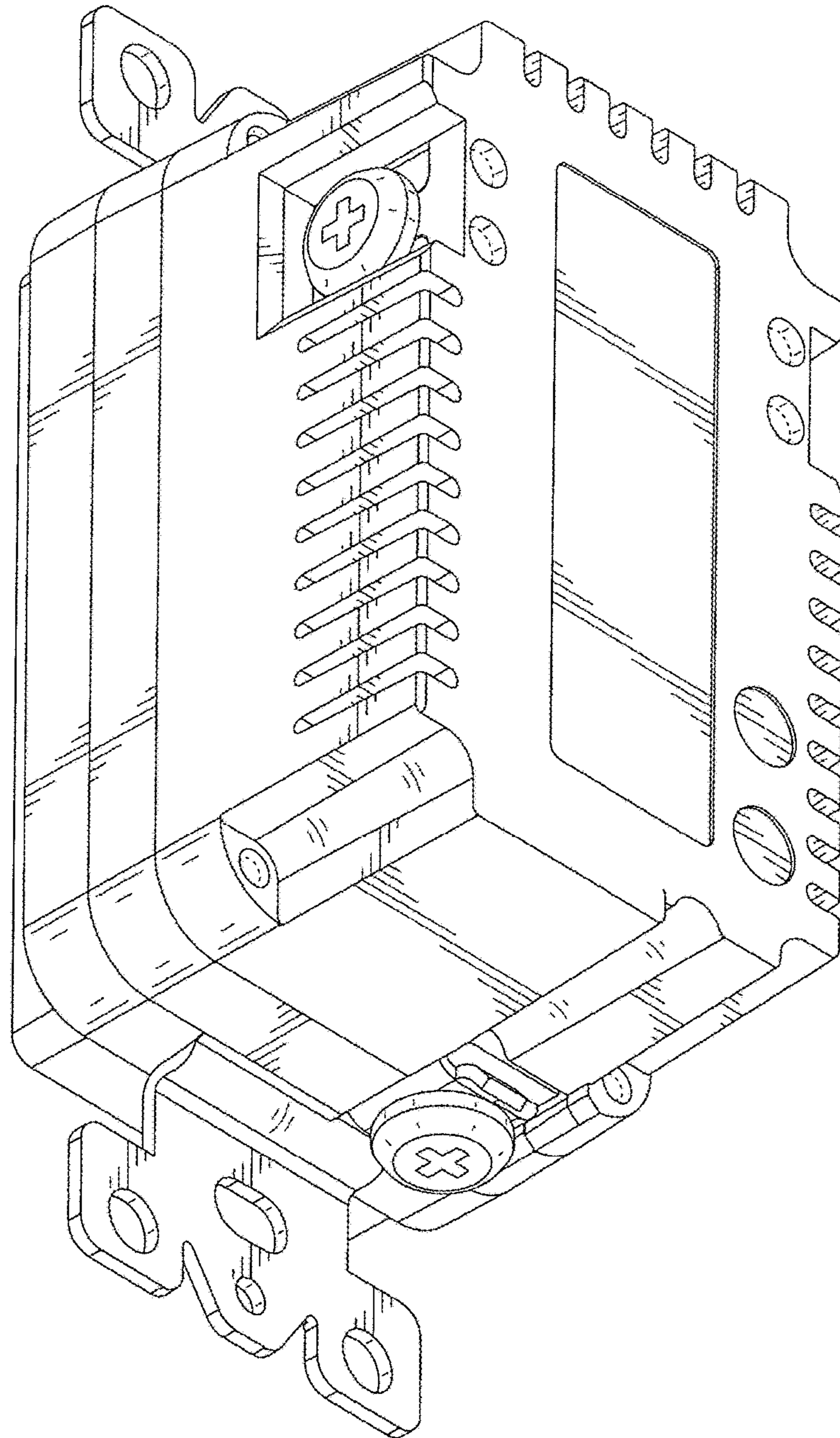


FIG.21

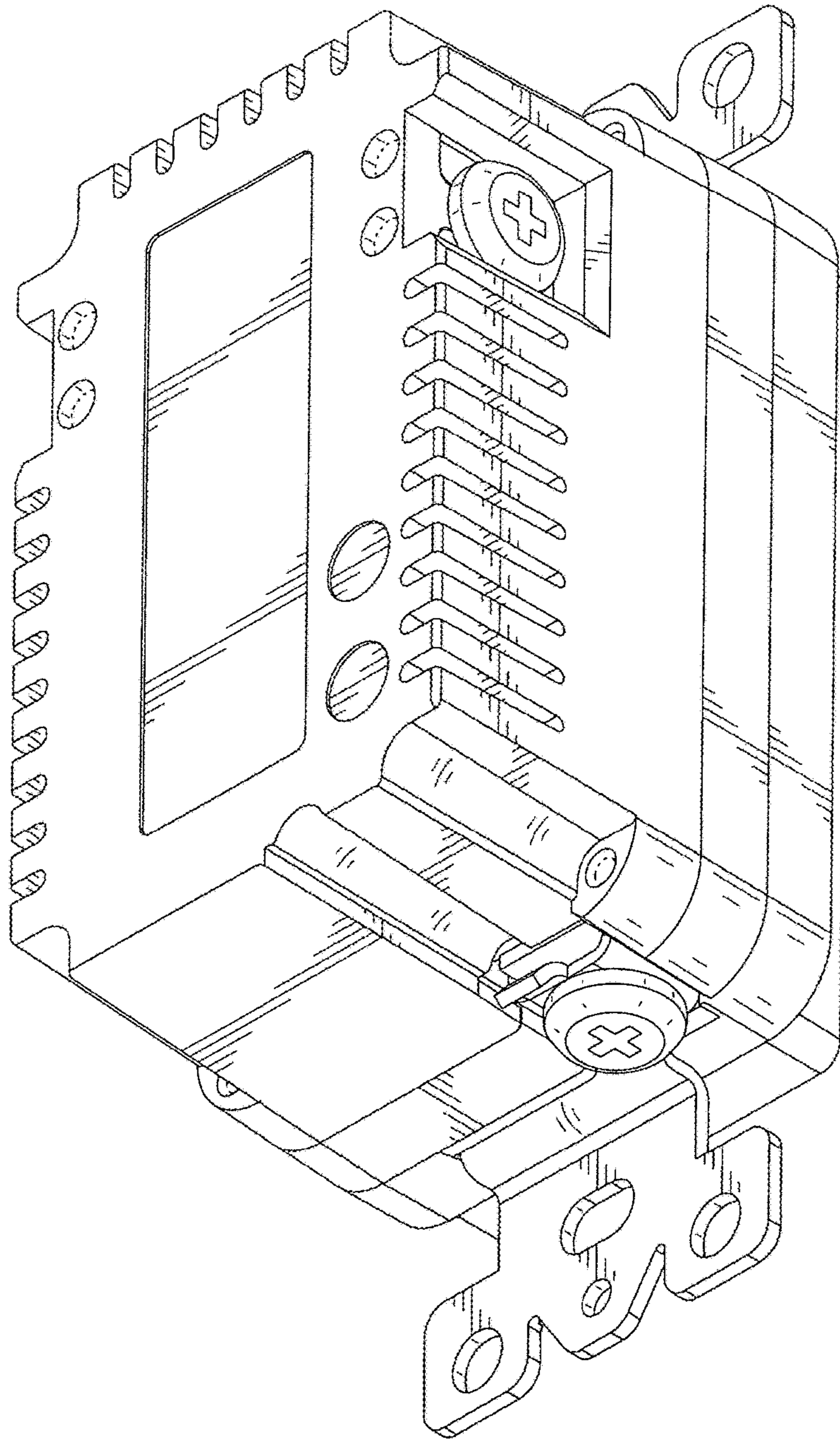


FIG.22