



US00D845243S

(12) **United States Design Patent**
Matsuoka et al.

(10) **Patent No.:** **US D845,243 S**

(45) **Date of Patent:** **** Apr. 9, 2019**

- (54) **PLUG**
- (71) Applicant: **Google LLC**, Mountain View, CA (US)
- (72) Inventors: **Yoshimichi Matsuoka**, Sunnyvale, CA (US); **Lawrence Lam**, San Jose, CA (US); **Sungyun Kim**, Sunnyvale, CA (US)

D660,796 S *	5/2012	Wen	D13/110
D689,819 S *	9/2013	Olsson	D13/110
D697,029 S *	1/2014	Chiu	D13/110
D734,259 S *	7/2015	Cepress	D13/110
D734,260 S *	7/2015	Cepress	D13/110
D790,465 S *	6/2017	Zhao	D13/110
D819,566 S *	6/2018	Hung	D13/110
D820,209 S *	6/2018	Lemelson	D13/110

- (73) Assignee: **Google LLC**, Mountain View, CA (US)
- (**) Term: **15 Years**

OTHER PUBLICATIONS

Mobilefun.co.uk: How to fast charge your Pixel 2 & Pixel 2 XL. Published Oct. 5, 2017. Retrieved from the internet at <<https://www.mobilefun.co.uk/blog/2017/10/how-to-fast-charge-your-pixel-2-pixel-2-xl/>>, Jul. 26, 2018. 1 page. (Year: 2017).*

- (21) Appl. No.: **29/619,749**
- (22) Filed: **Oct. 2, 2017**
- (51) **LOC (11) Cl.** **13-03**
- (52) **U.S. Cl.**
USPC **D13/138.2**
- (58) **Field of Classification Search**
USPC D13/137.1-137.4, 138.1-138.2,
D13/139.1-139.8, 152-154, 108, 110,
D13/123, 133, 146, 147, 156, 158, 160;
D14/433, 434
CPC .. H01R 25/00; H01R 25/006; H01R 13/6675;
H01R 13/44; H01R 13/627; H01R
13/447; H01R 13/73; H01R 13/66; H01R
13/60
See application file for complete search history.

* cited by examiner

Primary Examiner — Rosemary K Tarcza
Assistant Examiner — Christy M Nemeth
(74) *Attorney, Agent, or Firm* — Finnegan, Henderson, Farabow, Garrett & Dunner LLP

(56) **References Cited**

U.S. PATENT DOCUMENTS

5,611,701 A	3/1997	Hahn et al.	
5,847,545 A	12/1998	Chen et al.	
6,386,921 B1 *	5/2002	Casari H01R 31/06 439/651
D638,355 S *	5/2011	Chen D13/110
D641,695 S	7/2011	Wegener et al.	
D660,229 S *	5/2012	Tseng D13/110

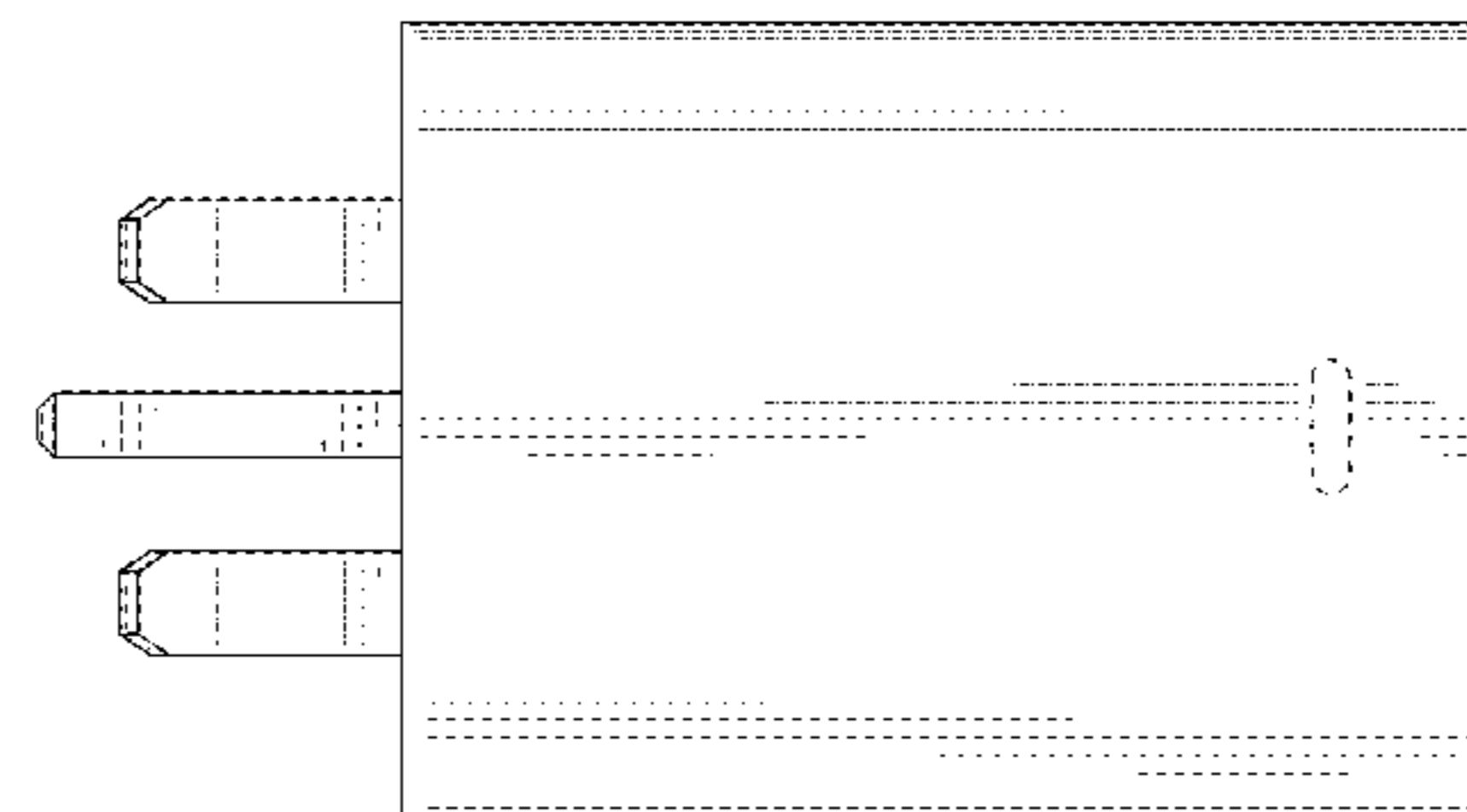
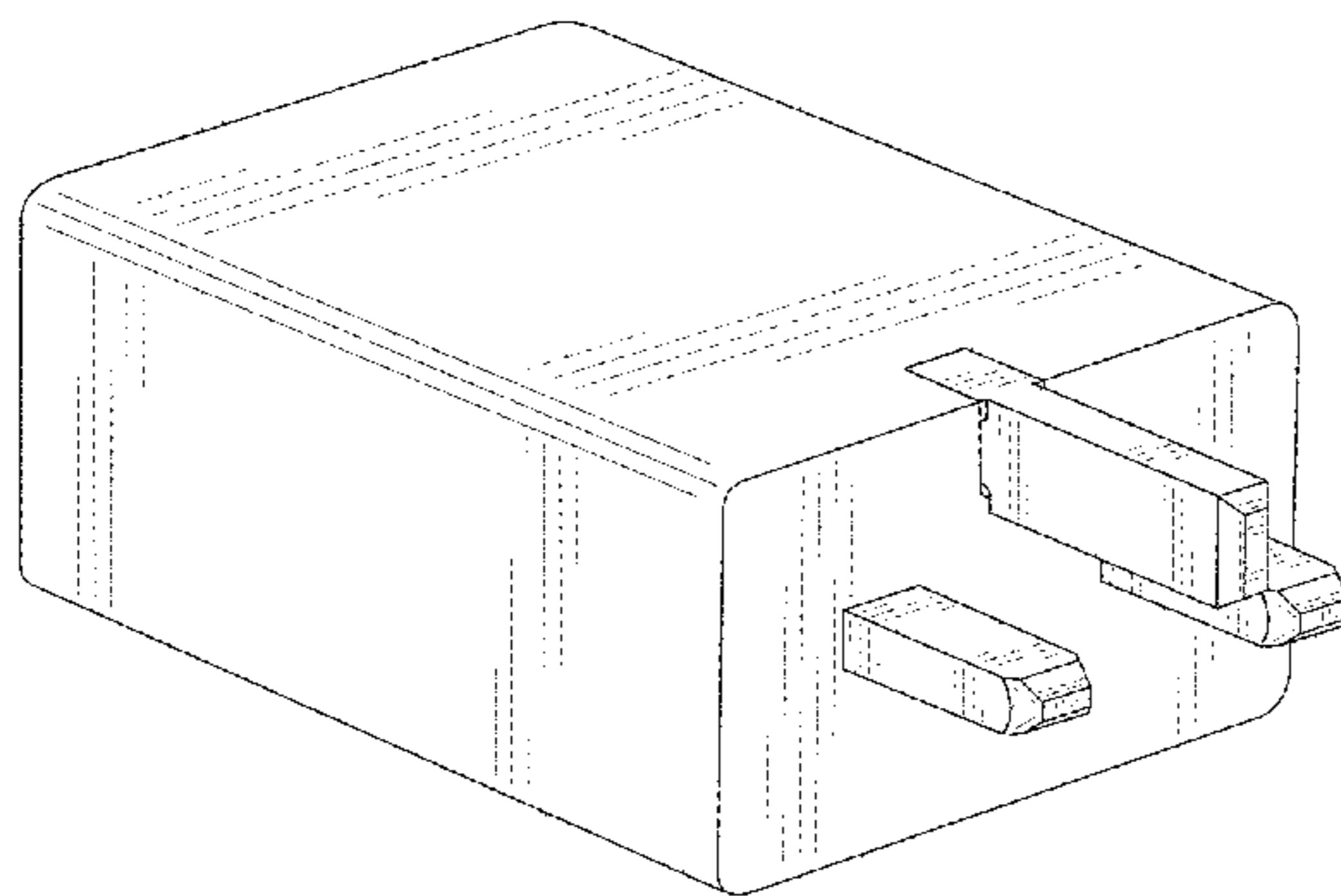
(57) **CLAIM**

The ornamental design for a plug, as shown and described.

DESCRIPTION

FIG. 1 is a perspective view of a plug showing our new design;
FIG. 2 is a front elevation view thereof;
FIG. 3 is a rear elevation view thereof;
FIG. 4 is a left side elevation view thereof;
FIG. 5 is a right side elevation view thereof;
FIG. 6 is a top plan view thereof; and,
FIG. 7 is a bottom plan view thereof.
The broken lines in the drawings are for the purpose of illustrating portions of the plug that form no part of the claimed design.

1 Claim, 7 Drawing Sheets



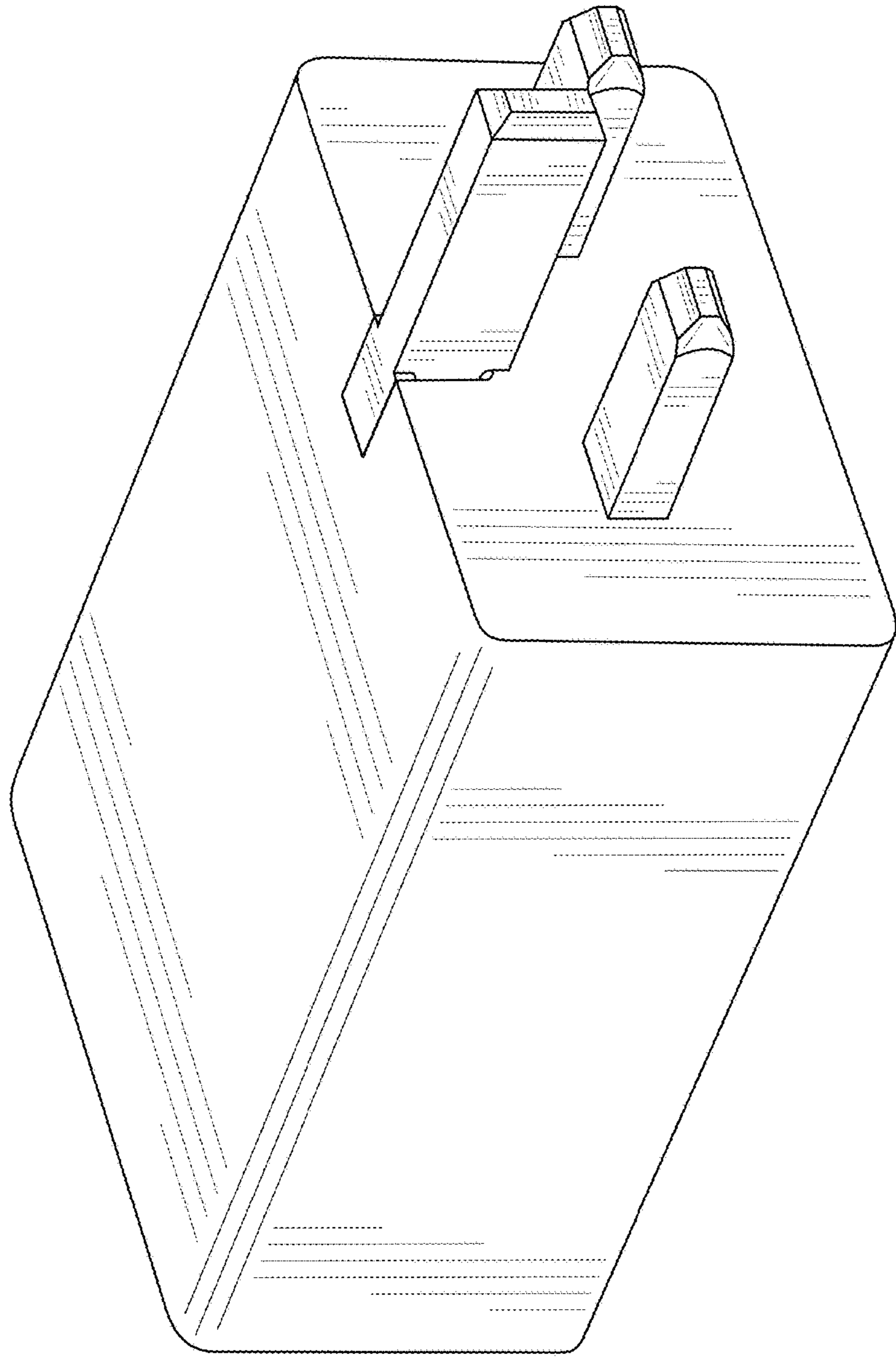


FIG. 1

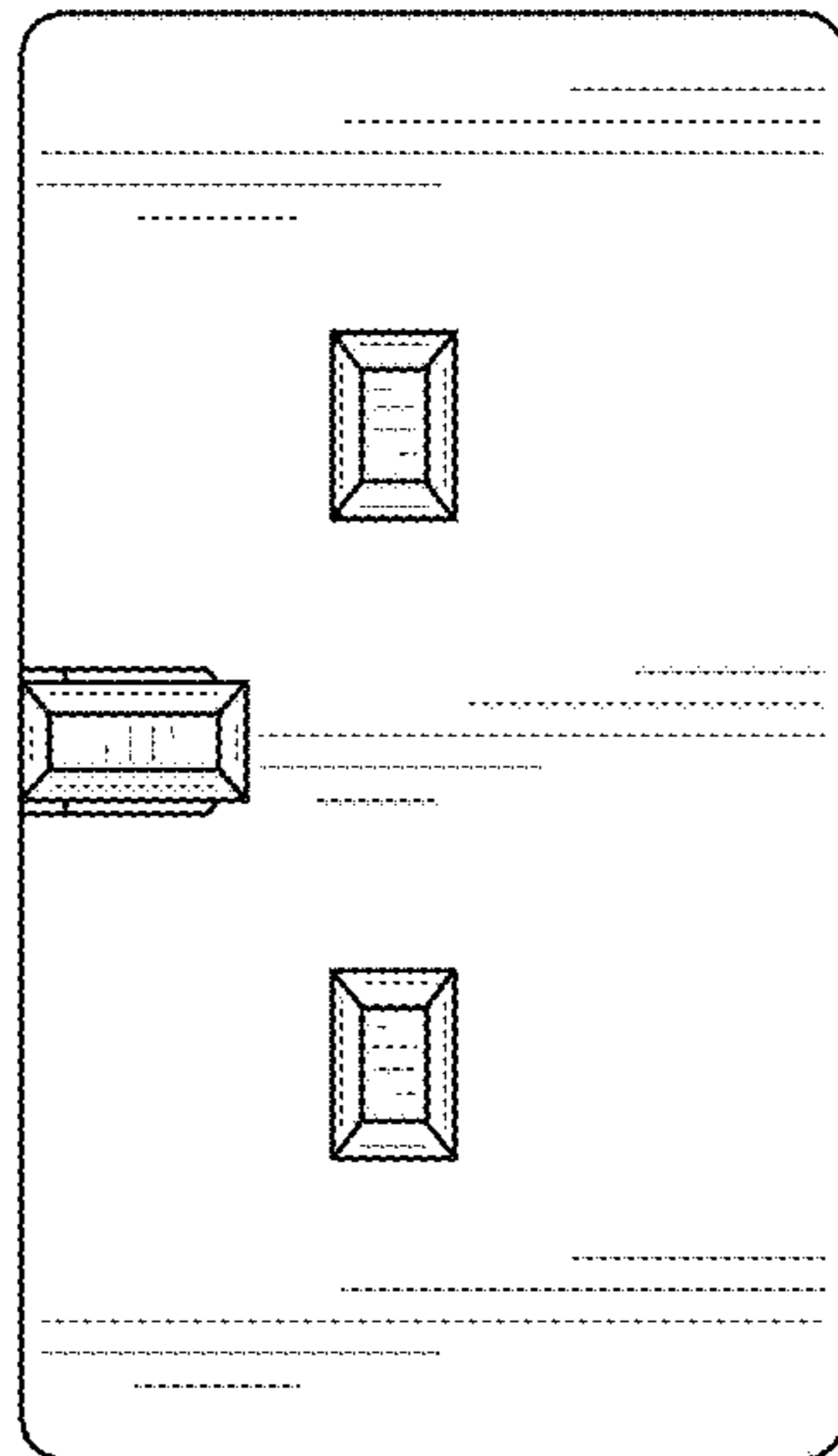


FIG. 2

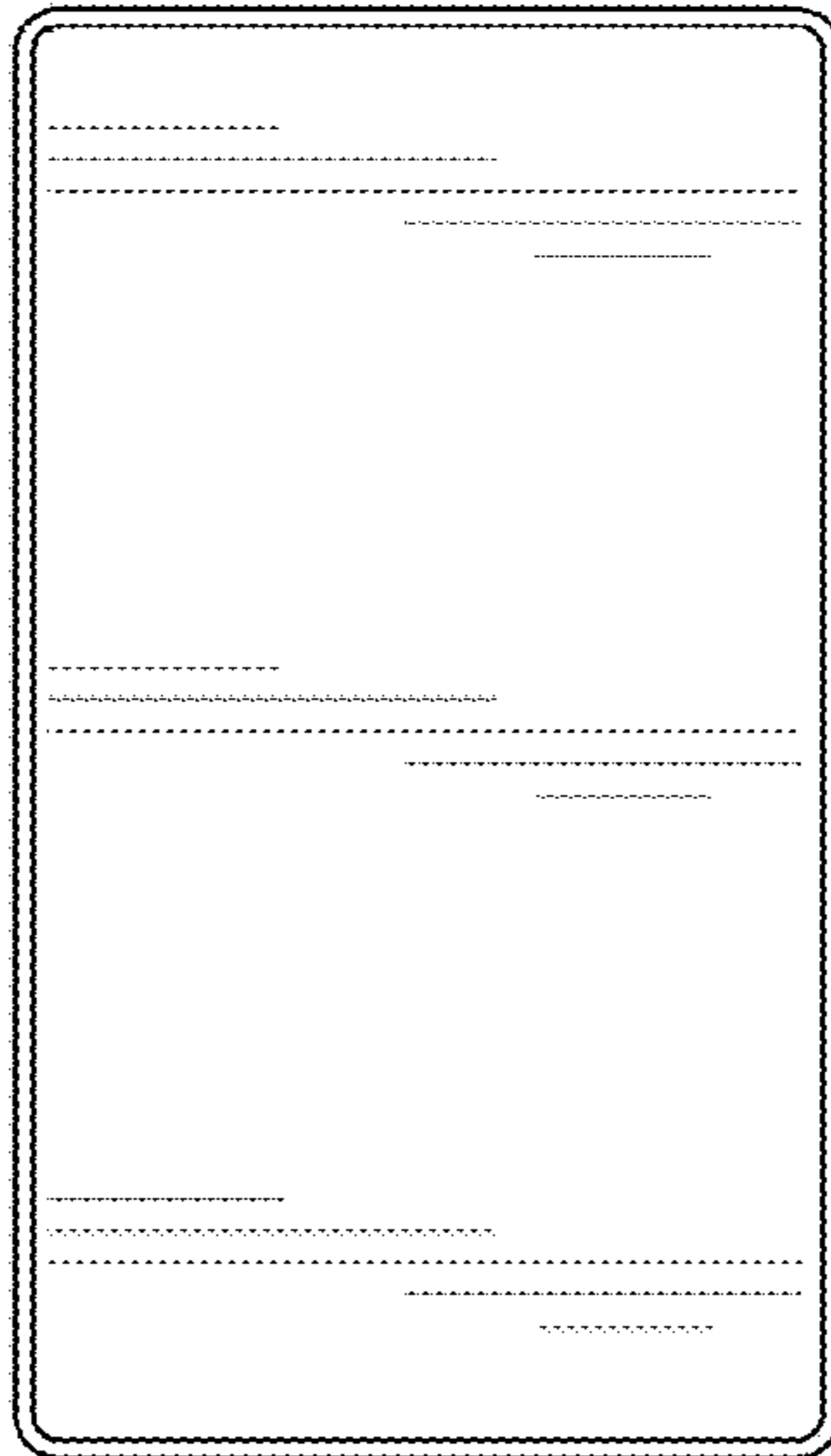


FIG. 3

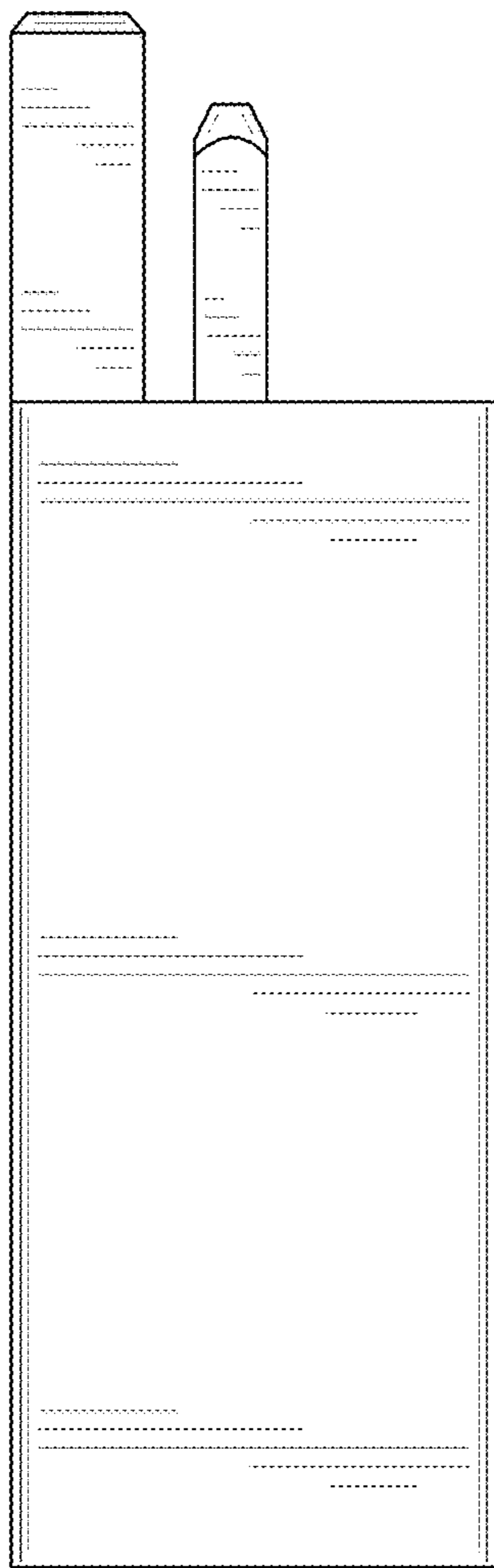


FIG. 4

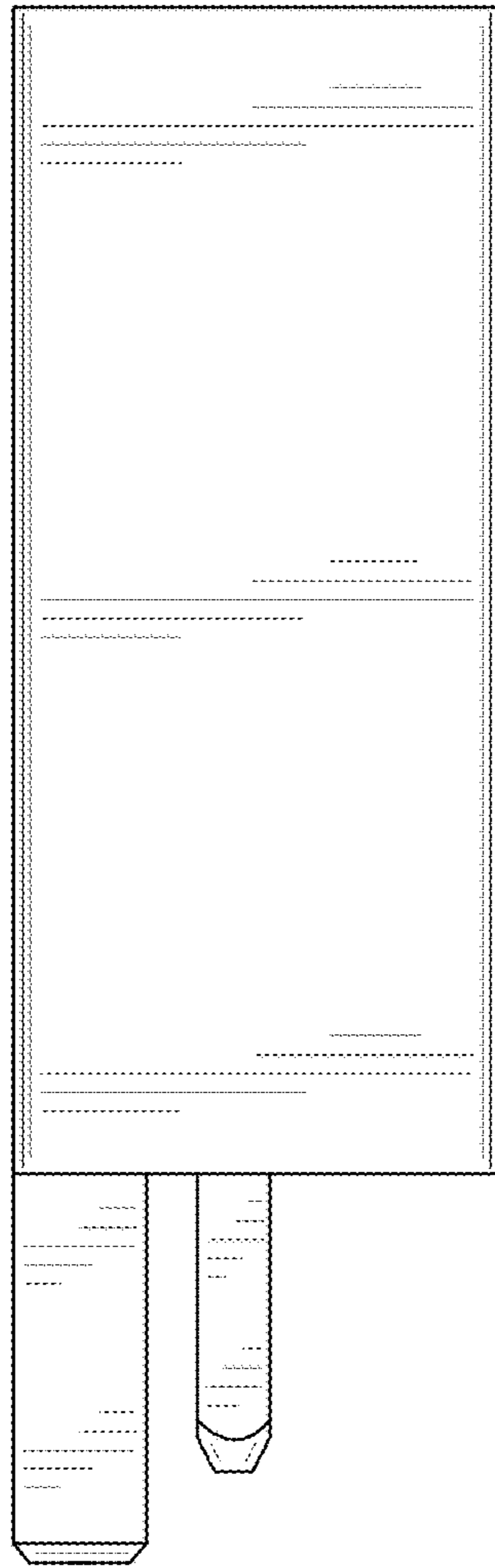


FIG. 5

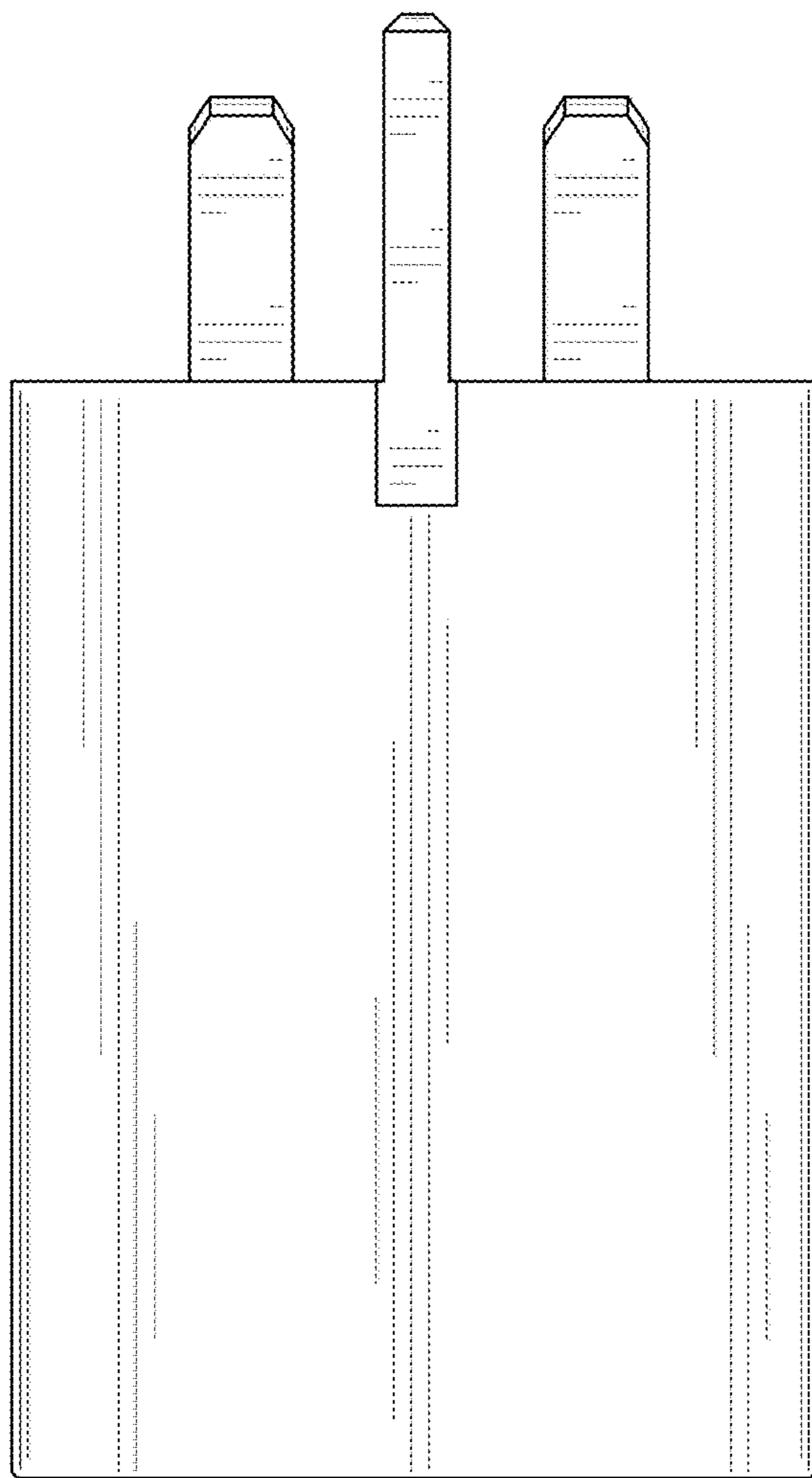


FIG. 6

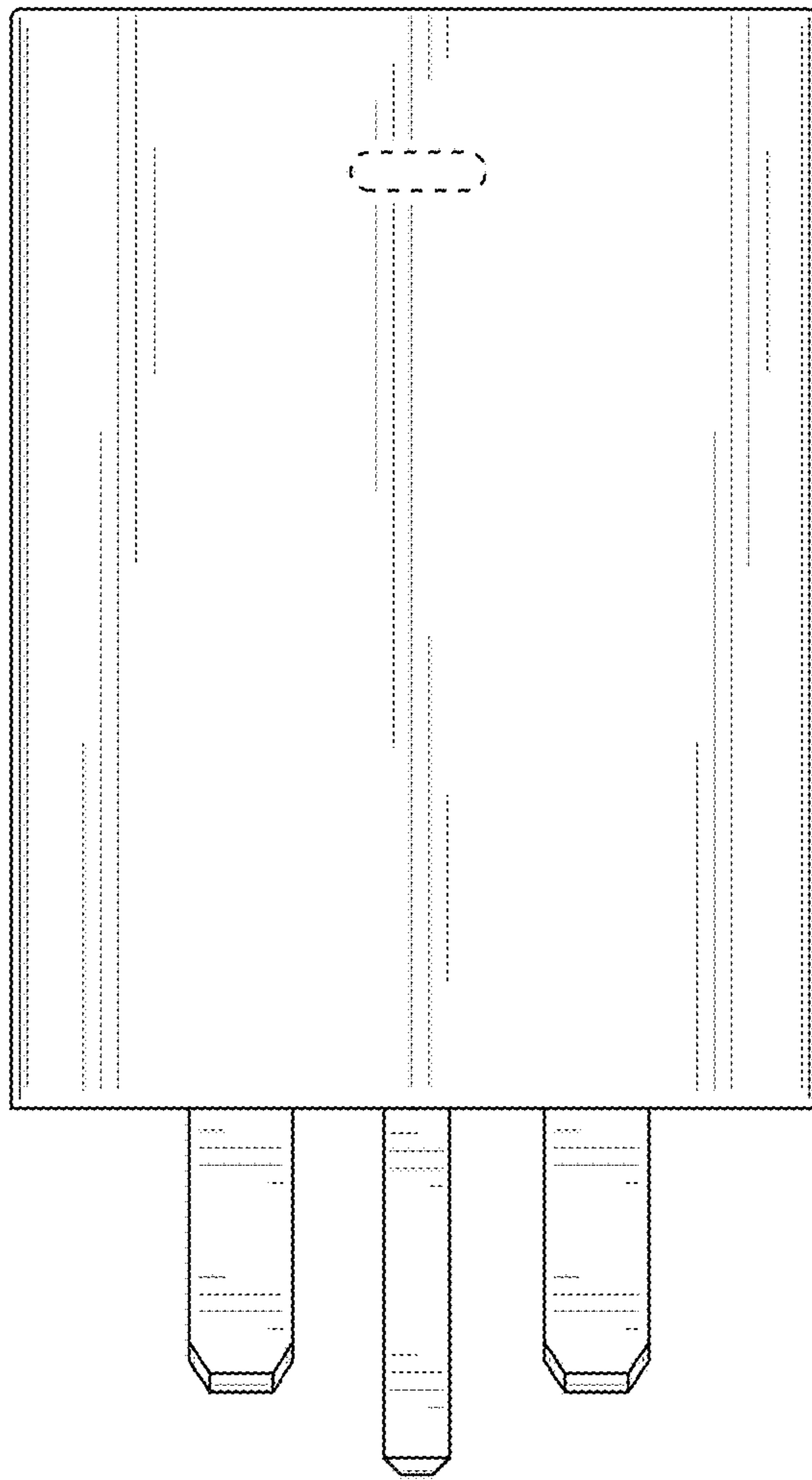


FIG. 7