



US00D845242S

(12) **United States Design Patent** (10) **Patent No.:** **US D845,242 S**
Gregori (45) **Date of Patent:** **** Apr. 9, 2019**

(54) **CONNECTOR HOUSING**

(71) Applicant: **Molex, LLC**, Lisle, IL (US)

(72) Inventor: **Timothy R. Gregori**, New Lenox, IL (US)

(73) Assignee: **Molex, LLC**, Lisle, IL (US)

(**) Term: **15 Years**

(21) Appl. No.: **29/638,765**

(22) Filed: **Feb. 28, 2018**

(51) **LOC (11) Cl.** **13-03**

(52) **U.S. Cl.**
 USPC **D13/133; D13/154**

(58) **Field of Classification Search**
 USPC D13/118, 123, 133, 146, 147, 149, 154,
 D13/173, 184, 199
 CPC H01R 3/00; H01R 13/24; H01R 13/424;
 H01R 13/426; H01R 13/436; H01R
 13/50; H01R 13/52; H01R 13/62; H01R
 13/624; H01R 13/627; H01R 13/641
 See application file for complete search history.

8,016,606 B1 * 9/2011 Kwan H01R 13/641
 439/352
 D704,647 S * 5/2014 Grant D13/147
 9,812,813 B1 * 11/2017 Sakamoto H01R 13/502
 2002/0111059 A1 * 8/2002 Raudenbush H01R 13/6272
 439/352
 2006/0240718 A1 * 10/2006 Osada H01R 13/4365
 439/752
 2007/0161284 A1 * 7/2007 Tyler H01R 13/6272
 439/489
 2008/0233773 A1 * 9/2008 Meleck H01R 13/6272
 439/107
 2016/0164224 A1 * 6/2016 Sekino H01R 13/6272
 439/352
 2017/0179646 A1 * 6/2017 Holub H01R 13/641
 2017/0317448 A1 * 11/2017 Benichou H01R 13/6272

* cited by examiner

Primary Examiner — Angela J Lee
Assistant Examiner — Shawn T Gingrich
 (74) *Attorney, Agent, or Firm* — Banner & Witcoff, Ltd.

(57) **CLAIM**

The ornamental design for a connector housing, as shown and described.

DESCRIPTION

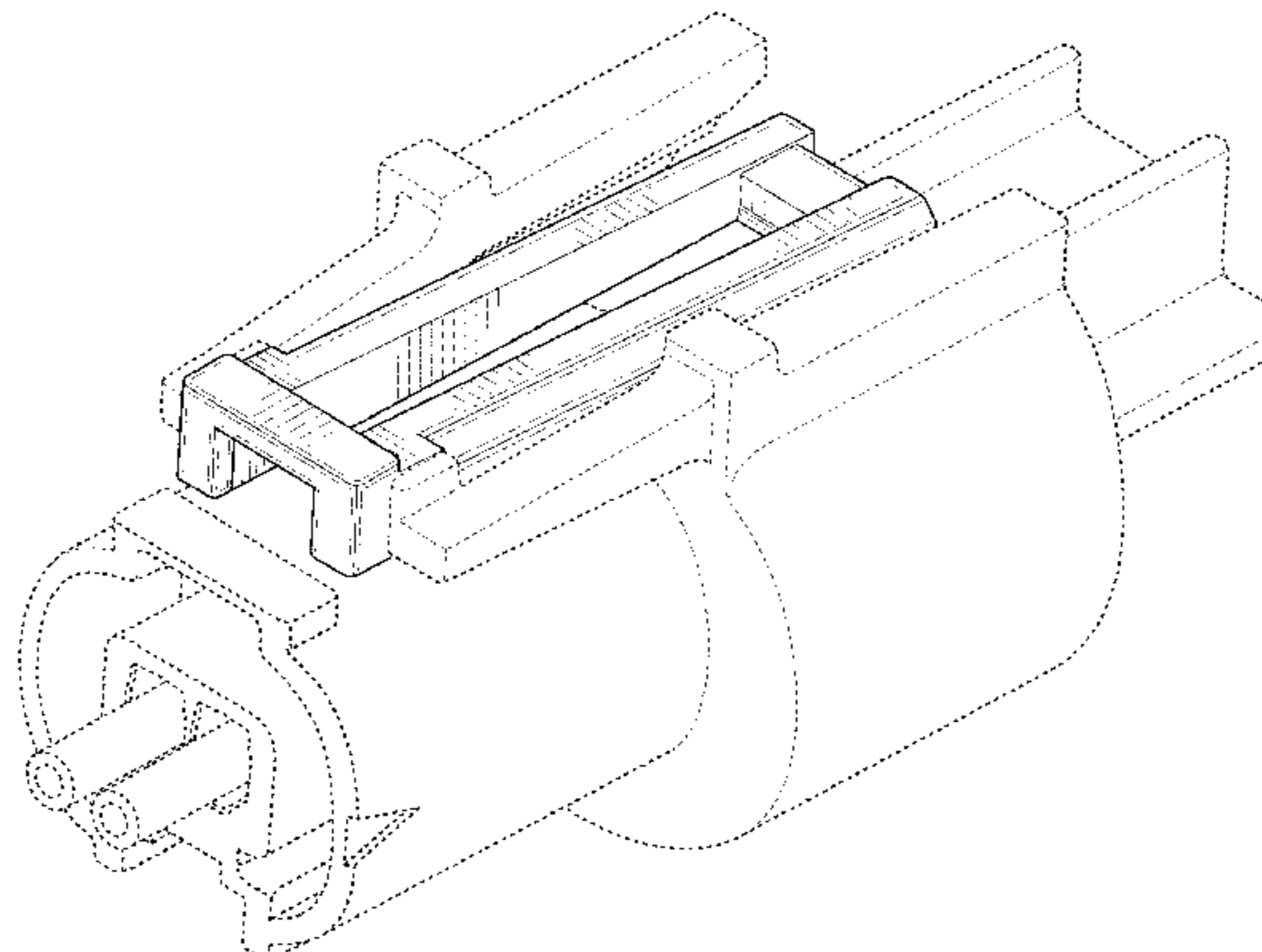
FIG. 1 is a front perspective view of a connector housing showing my new design;
 FIG. 2 is a front view thereof;
 FIG. 3 is a rear view thereof;
 FIG. 4 is a right side view thereof;
 FIG. 5 is a left side view thereof;
 FIG. 6 is a top view thereof; and,
 FIG. 7 is a bottom view thereof.
 The broken lines depicting the remainder of the connector housing show features that form no part of the claimed design. The unshaded region within the shaded area forms no part of the claimed design.

1 Claim, 7 Drawing Sheets

(56) **References Cited**

U.S. PATENT DOCUMENTS

D308,512 S * 6/1990 Endo D13/133
 D308,513 S * 6/1990 Endo D13/147
 D315,717 S * 3/1991 Takenouchi D13/146
 D319,813 S * 9/1991 Kozono D13/133
 D323,316 S * 1/1992 Ohkura D13/133
 D323,485 S * 1/1992 Ohkura D13/147
 D336,283 S * 6/1993 Ohkura D13/147
 D410,629 S * 6/1999 Bandura D13/147
 6,077,101 A * 6/2000 Garretson H01R 13/627
 439/352
 D463,776 S * 10/2002 Chen D13/147
 D479,199 S * 9/2003 Jones D13/147
 D488,782 S * 4/2004 Kashiyaama D13/133
 D643,817 S * 8/2011 Ando D13/133



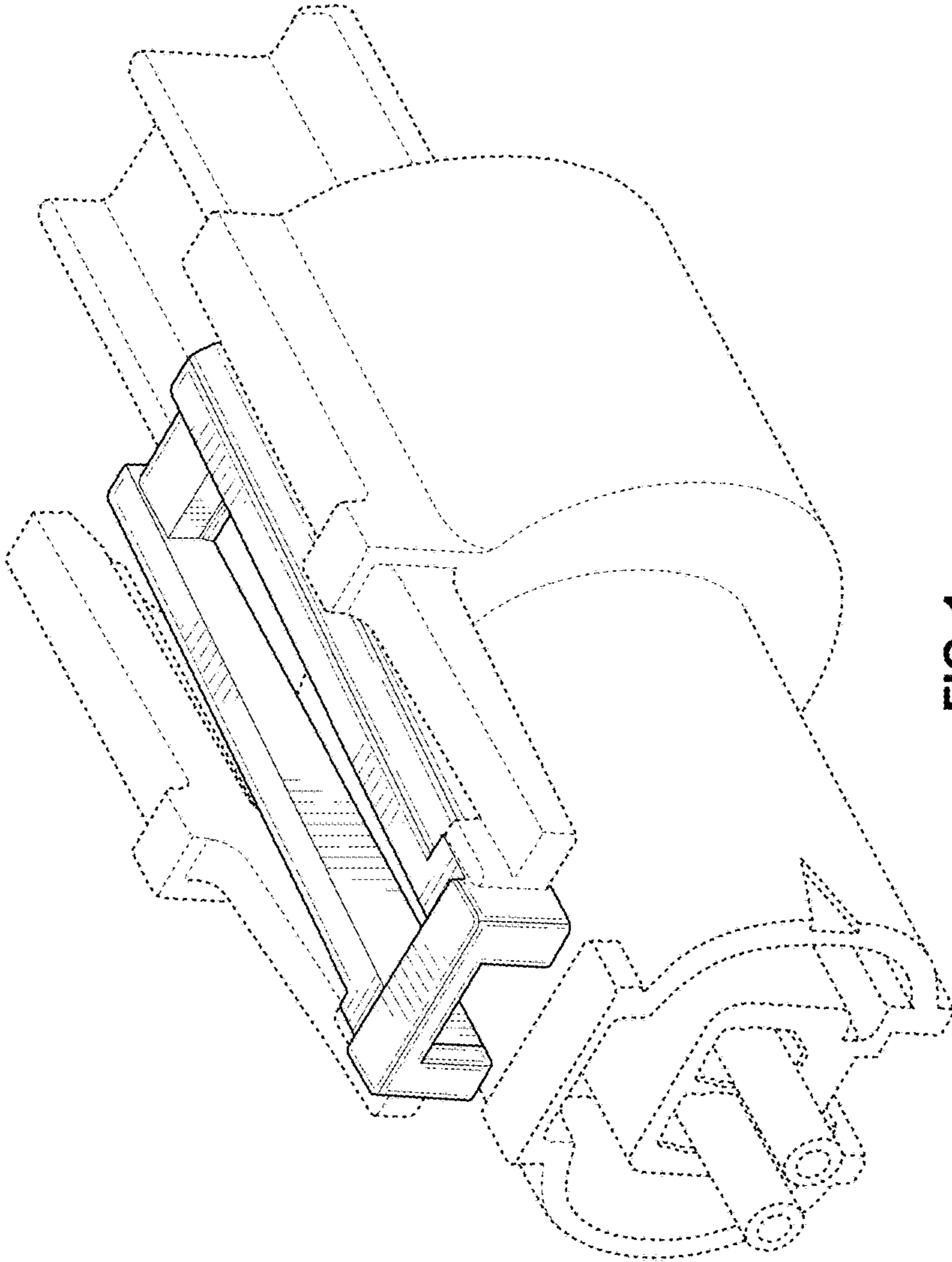


FIG. 1

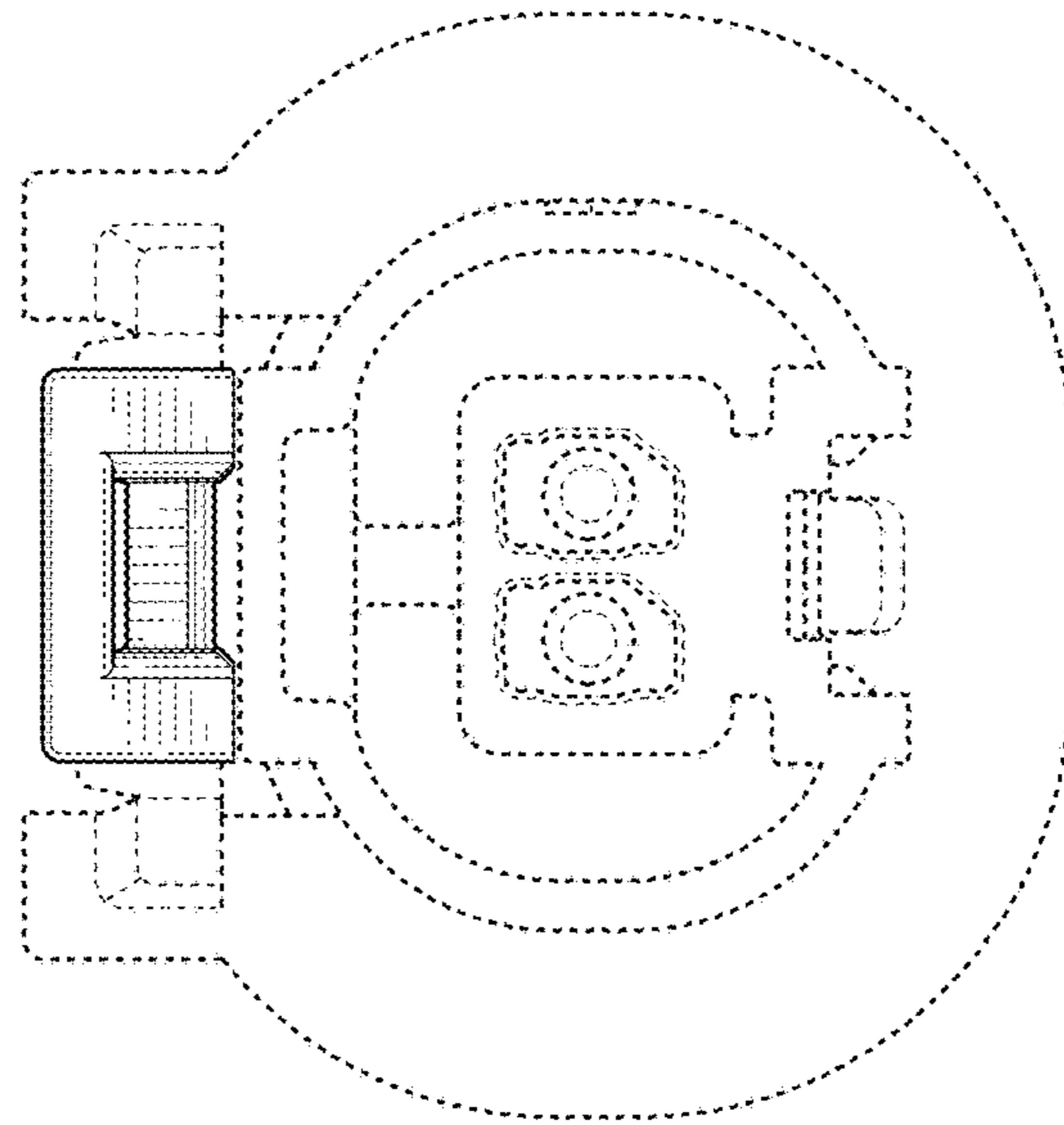


FIG. 2

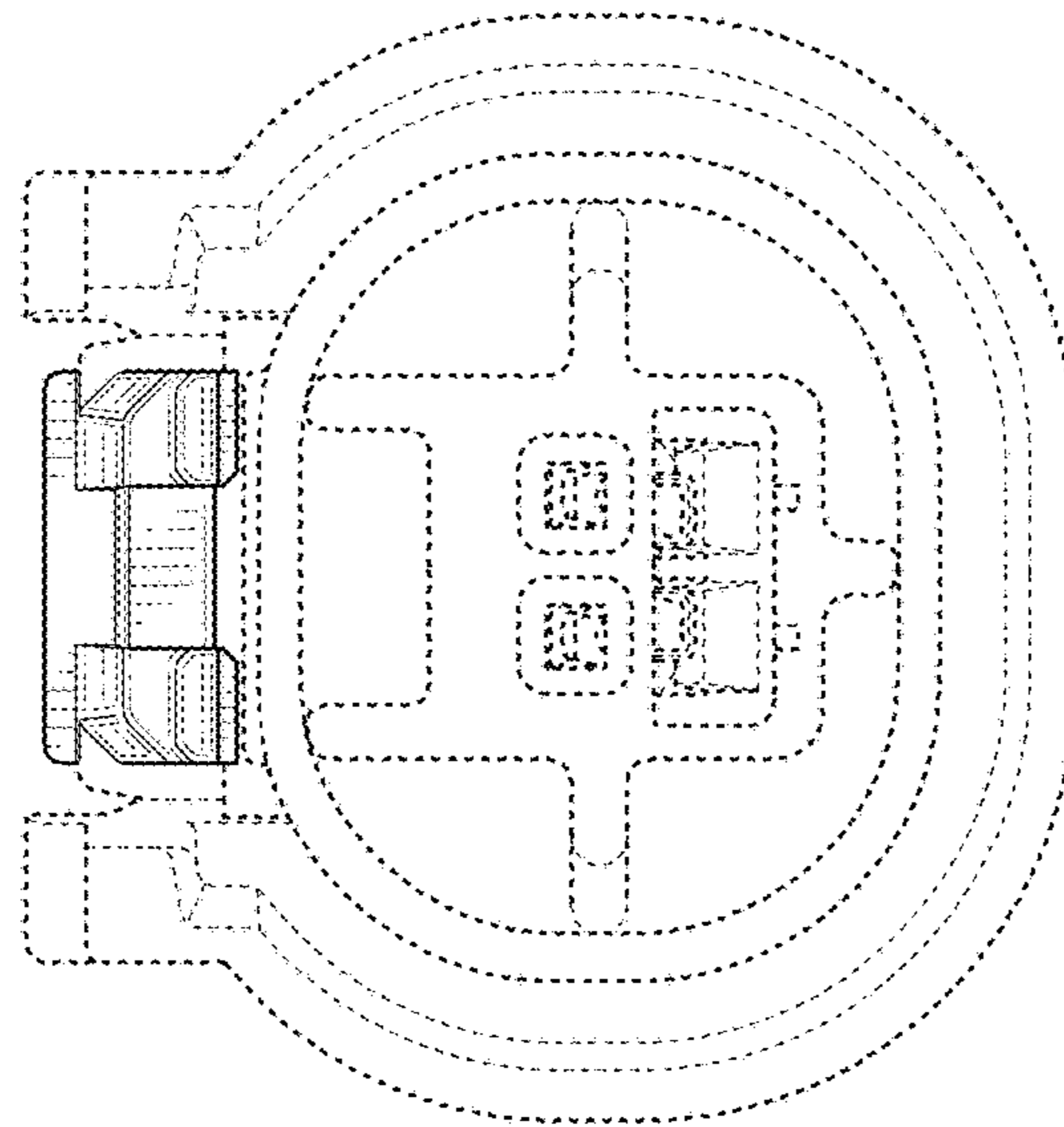


FIG. 3

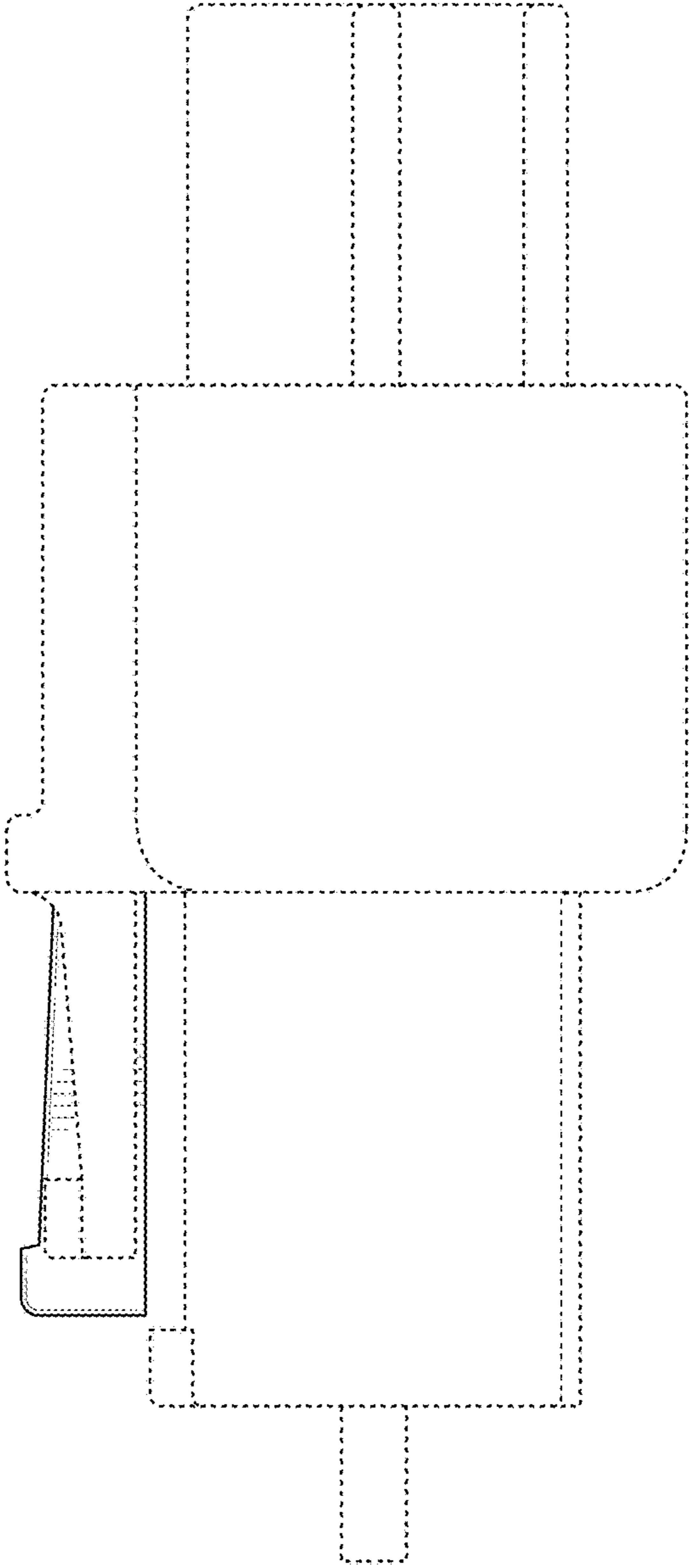


FIG. 4

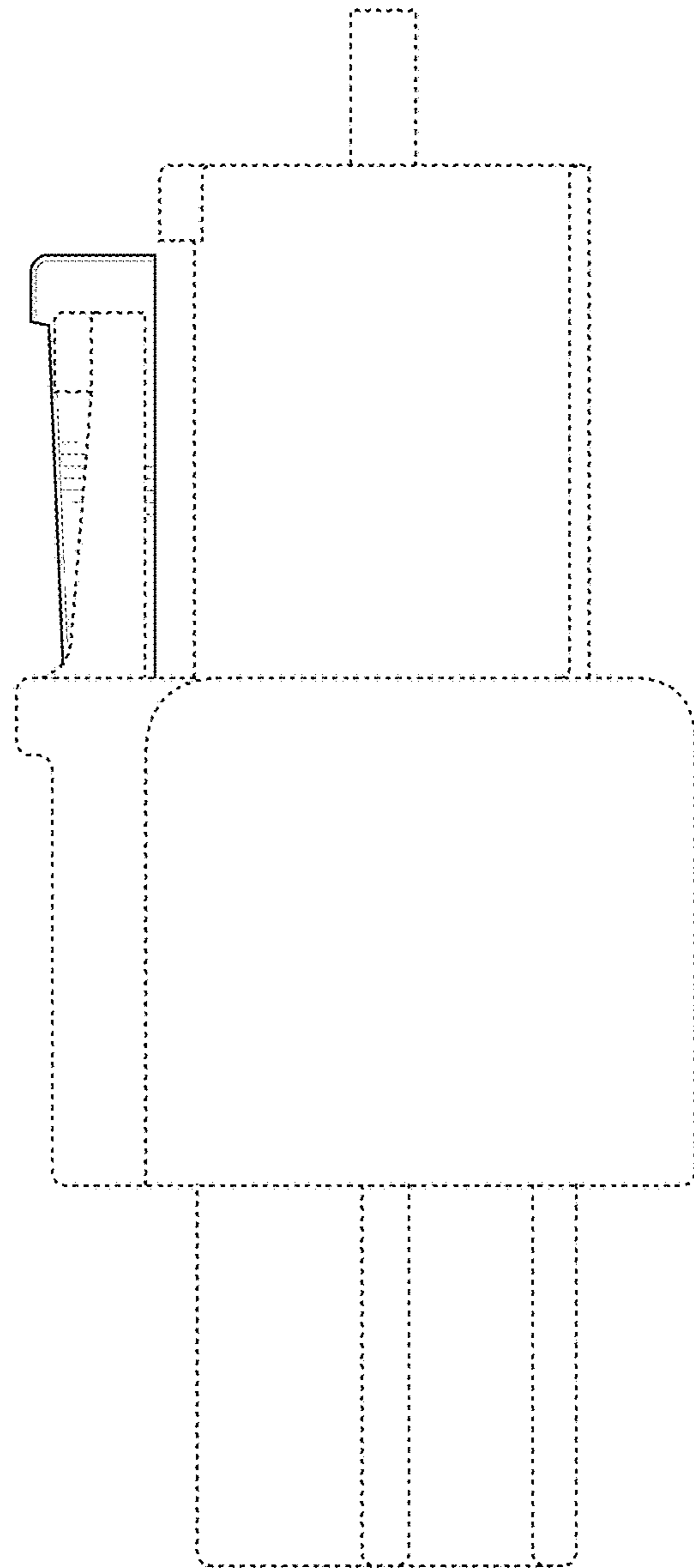


FIG. 5

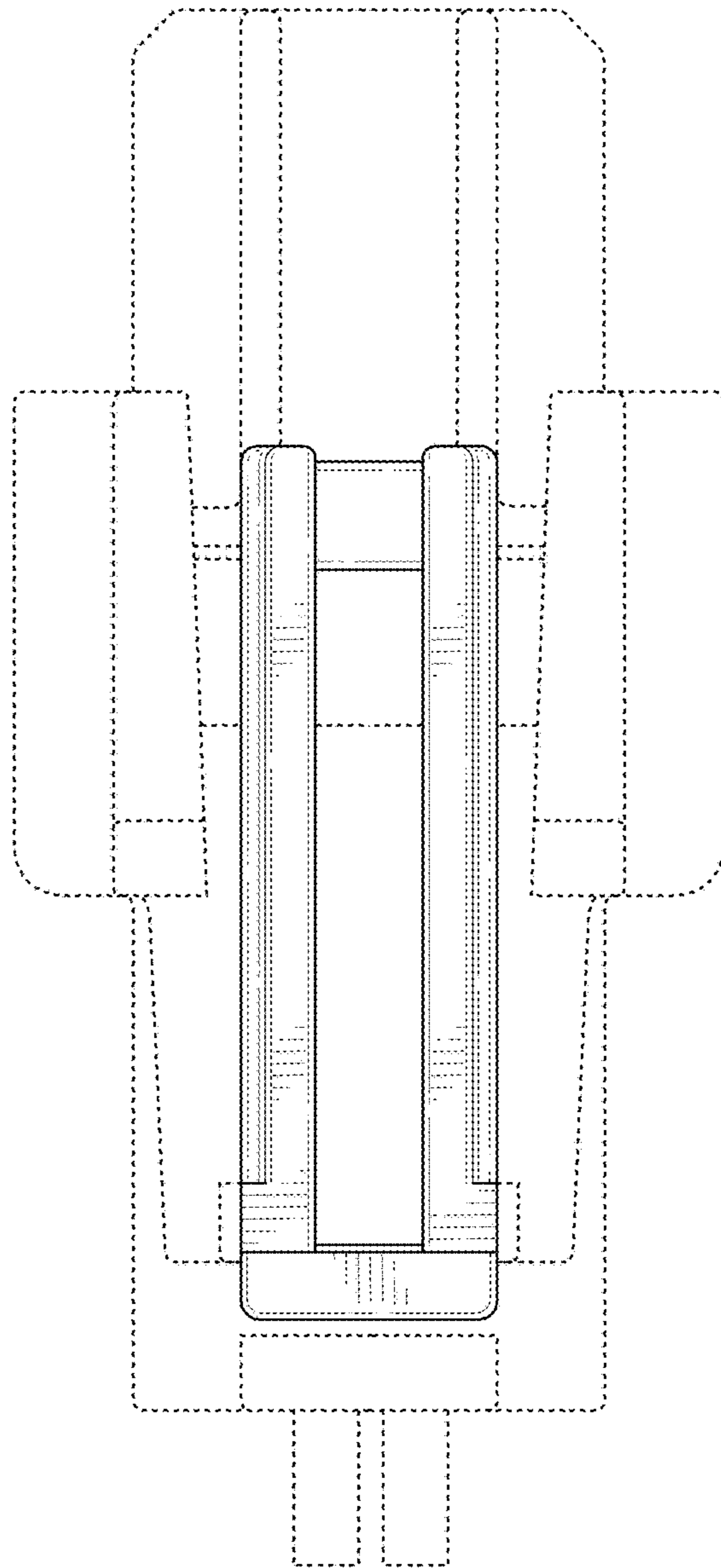


FIG. 6

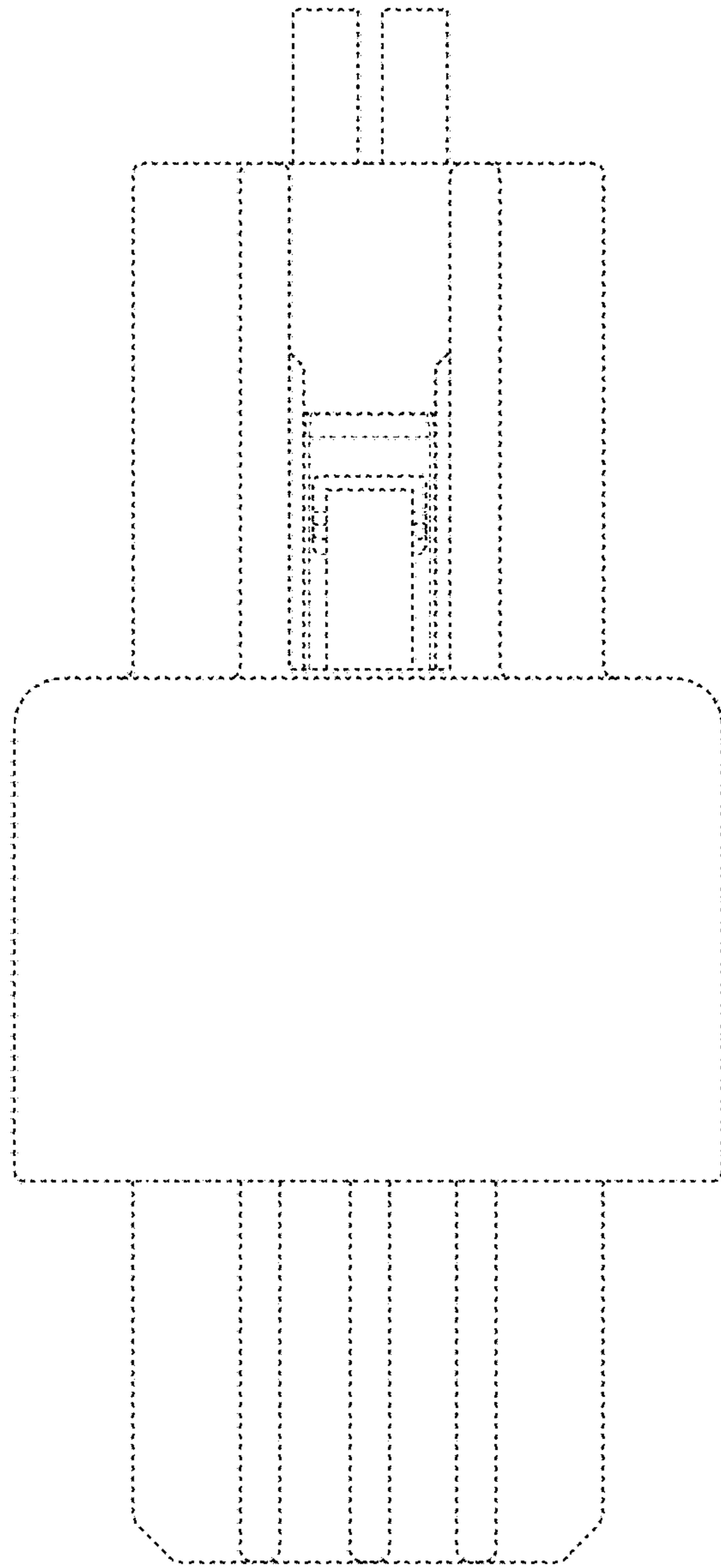


FIG. 7