

US00D845241S

(12) **United States Design Patent**
Yang

(10) **Patent No.:** **US D845,241 S**

(45) **Date of Patent:** **** Apr. 9, 2019**

(54) **INNER HOUSING FOR OPTICAL FIBER ADAPTER**

(71) Applicant: **Muh-Chyng Yang**, Kaohsiung (TW)

(72) Inventor: **Muh-Chyng Yang**, Kaohsiung (TW)

(**) Term: **15 Years**

(21) Appl. No.: **29/632,396**

(22) Filed: **Jan. 8, 2018**

(51) **LOC (11) Cl.** **13-03**

(52) **U.S. Cl.**
USPC **D13/133; D13/154**

(58) **Field of Classification Search**
USPC D13/112, 118, 123, 133, 154-156, 173,
D13/174, 184, 199; D24/127, 129;
D23/233, 249, 259, 262
CPC ... G02B 6/00; G02B 6/36; G02B 6/38; G02B
6/42; H01R 13/625; H01R 13/639; H01R
24/20

See application file for complete search history.

(56) **References Cited**

U.S. PATENT DOCUMENTS

D316,702 S *	5/1991	Gartwhaite	D13/133
D400,170 S *	10/1998	Asai	D13/133
D413,099 S *	8/1999	Brandt	D13/133
D511,280 S *	11/2005	Horner-Richardson	D8/30
D577,438 S *	9/2008	Gallogly	D24/129
D594,415 S *	6/2009	Shitakata	D13/133
D651,307 S *	12/2011	Sangha	D24/127
D689,021 S *	9/2013	Wang	D13/133
D798,828 S *	10/2017	Maloney	D13/173
D814,427 S *	4/2018	Ozawa	D13/173
D831,202 S *	10/2018	Ratner	D24/129
2009/0305577 A1 *	12/2009	Bradford-Stagg	...	H01R 13/639 439/680
2011/0158586 A1 *	6/2011	Katagiyama	G02B 6/3825 385/55

2013/0071067 A1 *	3/2013	Lin	G02B 6/3825 385/75
2013/0071068 A1 *	3/2013	Lin	G02B 6/3825 385/75
2014/0065872 A1 *	3/2014	Yamada	H01R 13/625 439/357
2014/0154906 A1 *	6/2014	Lee	H01R 13/622 439/321
2014/0205253 A1 *	7/2014	Yang	G02B 6/3825 385/134
2016/0306121 A1 *	10/2016	Yang	G02B 6/3825

FOREIGN PATENT DOCUMENTS

WO WO 2015/172286 * 11/2015 G02B 6/38

* cited by examiner

Primary Examiner — Angela J Lee

Assistant Examiner — Shawn T Gingrich

(74) *Attorney, Agent, or Firm* — Rosenberg, Klein & Lee

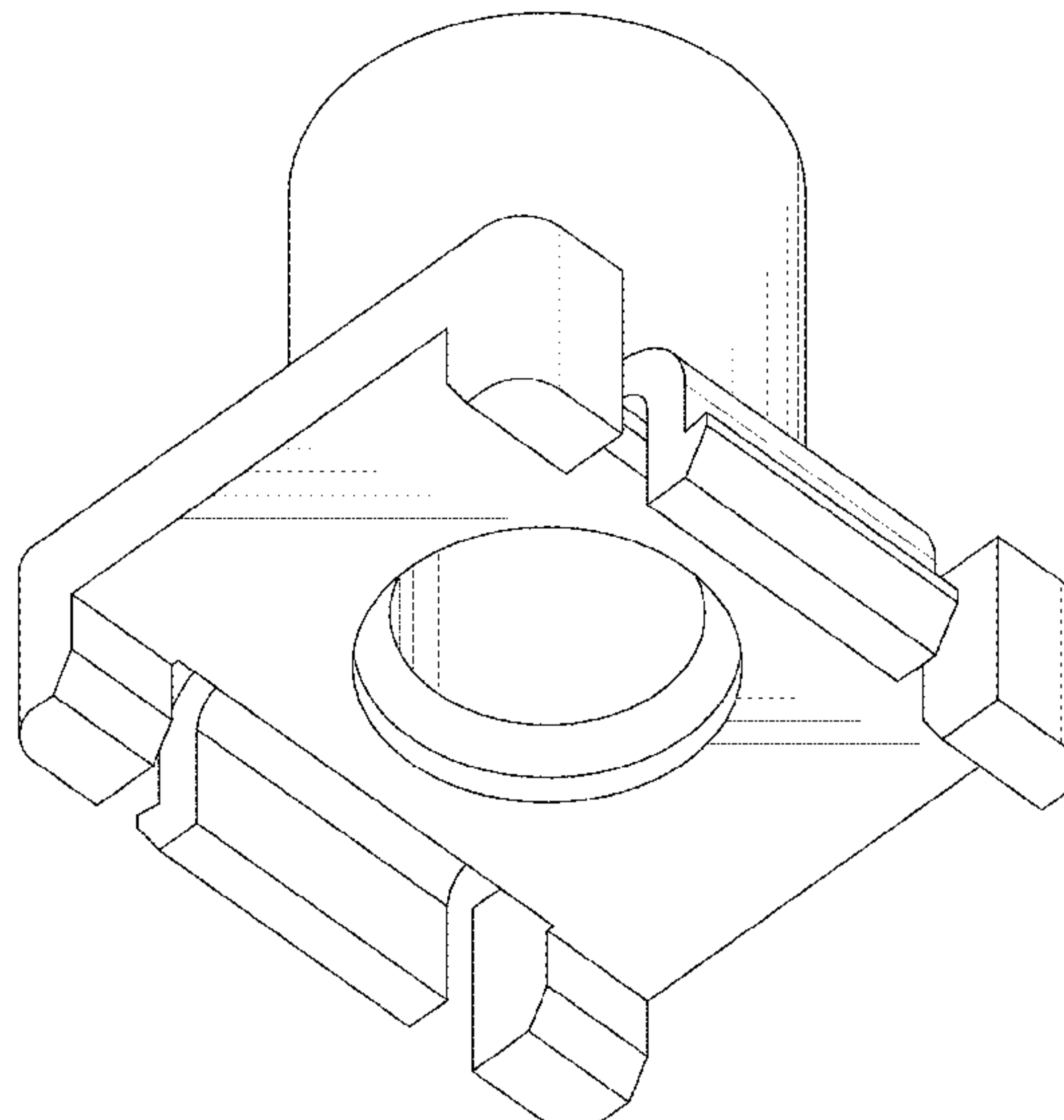
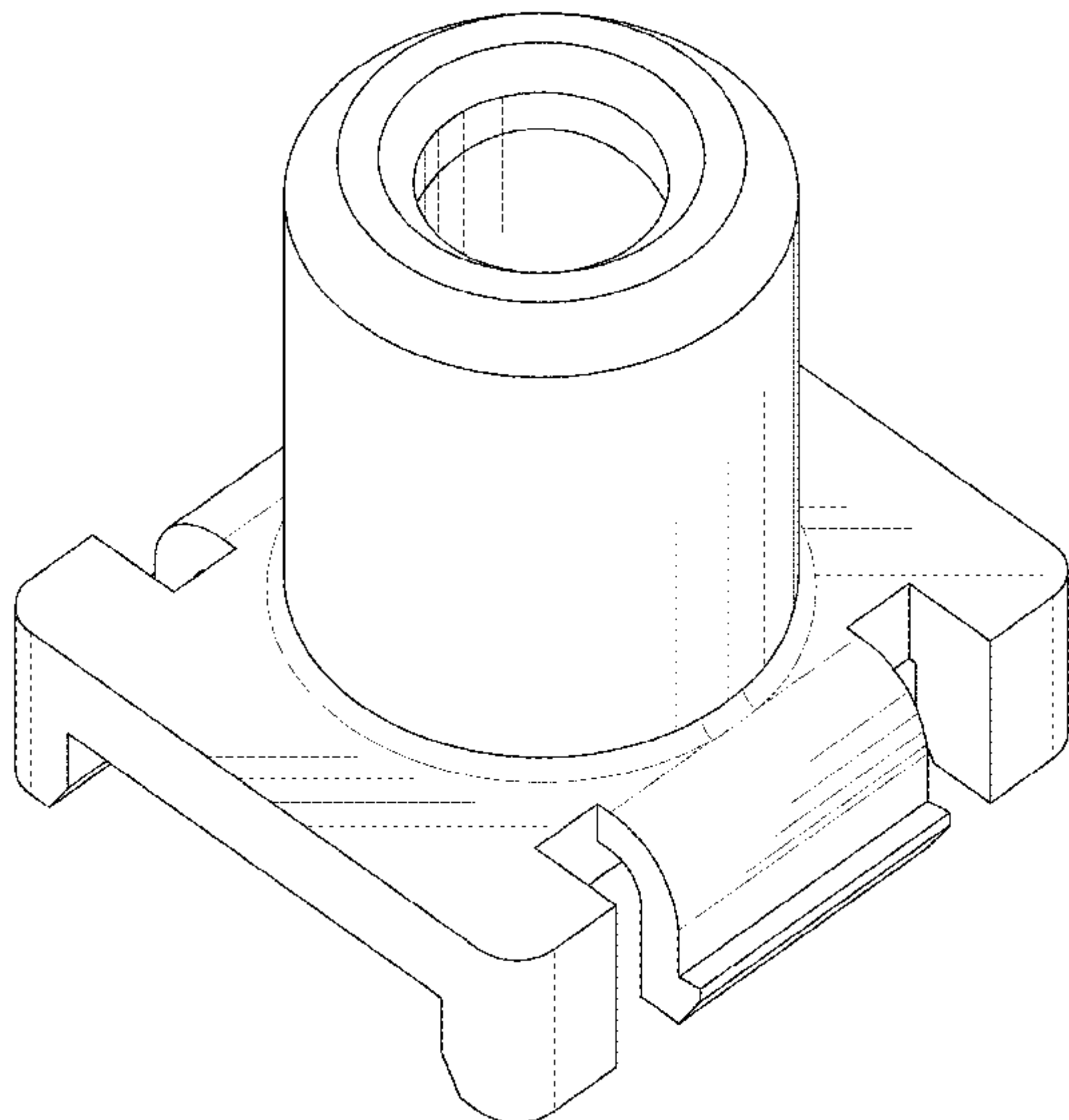
(57) **CLAIM**

The ornamental design for an inner housing for an optical fiber adapter, as shown and described.

DESCRIPTION

FIG. 1 is a top perspective view of an inner housing for optical fiber adapter showing the new design;
 FIG. 2 is a bottom perspective view thereof;
 FIG. 3 is a top plan view thereof;
 FIG. 4 is a bottom plan view thereof;
 FIG. 5 is a front view thereof, the rear view being a mirror image thereof;
 FIG. 6 is a left side view thereof, the right side view being a mirror image thereof; and,
 FIG. 7 is a perspective view thereof, shown in an environment of use.
 The broken line portion of the figure drawings is included to show environment that forms no part of the claimed design.

1 Claim, 7 Drawing Sheets



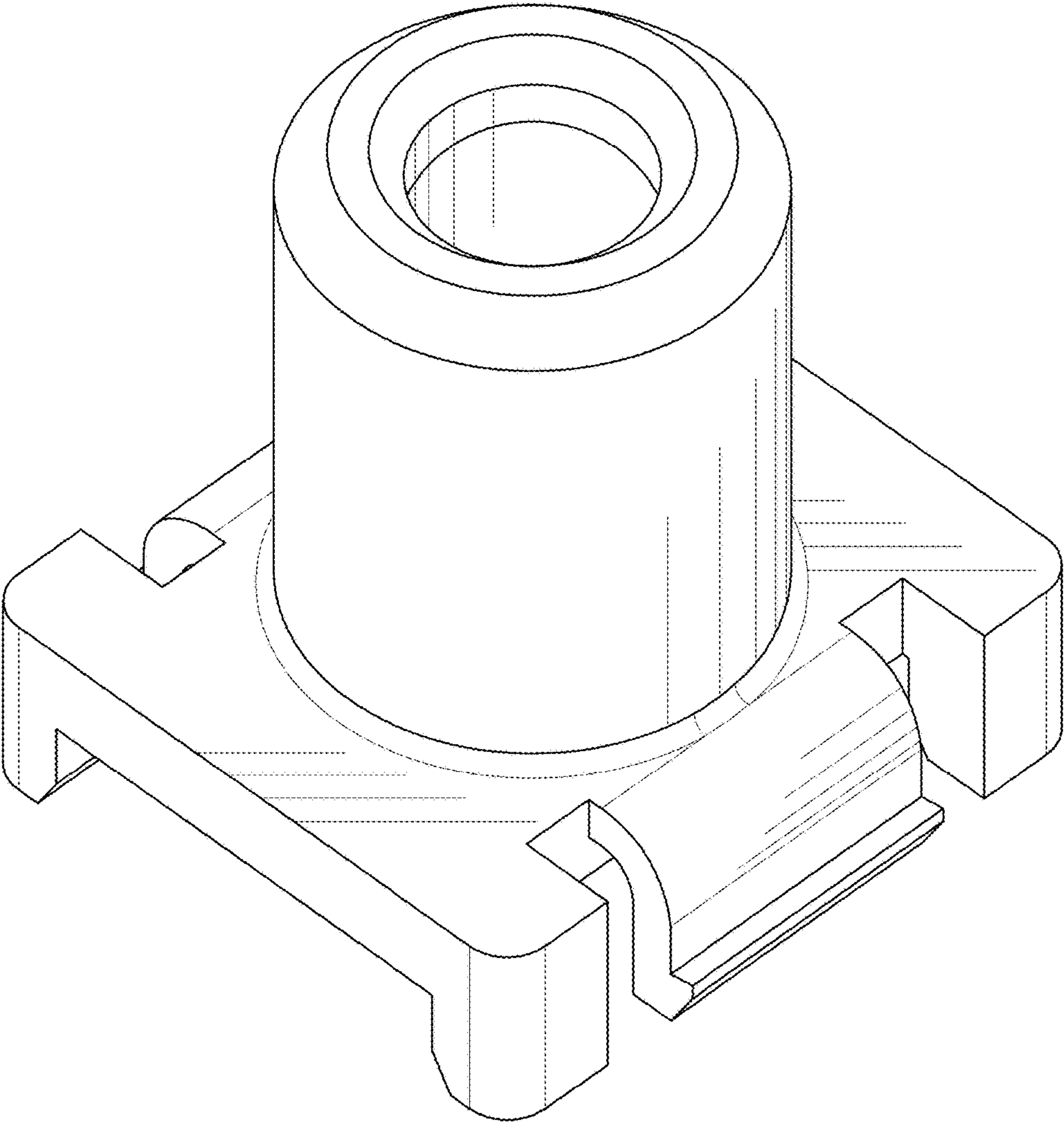


FIG. 1

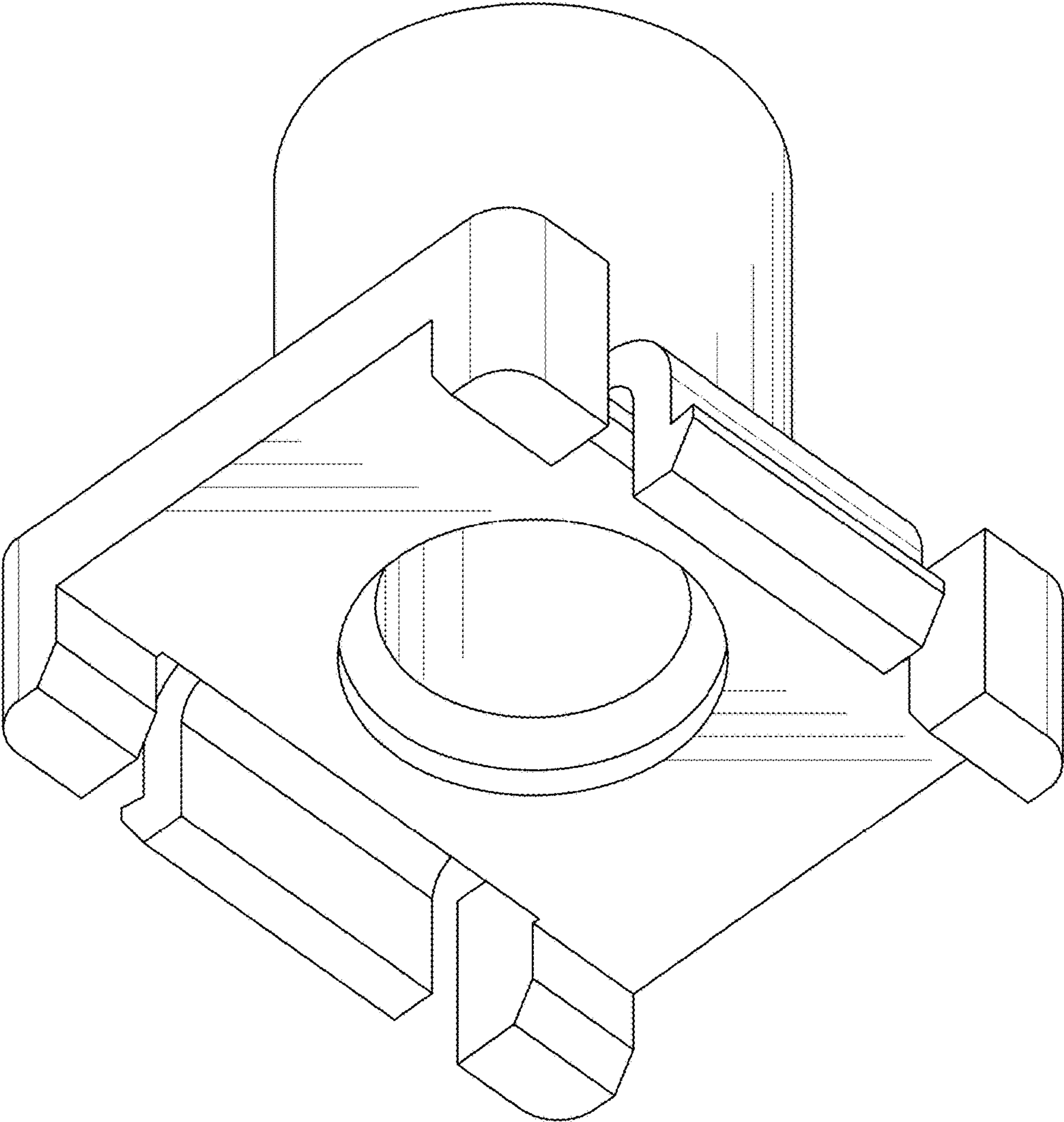


FIG. 2

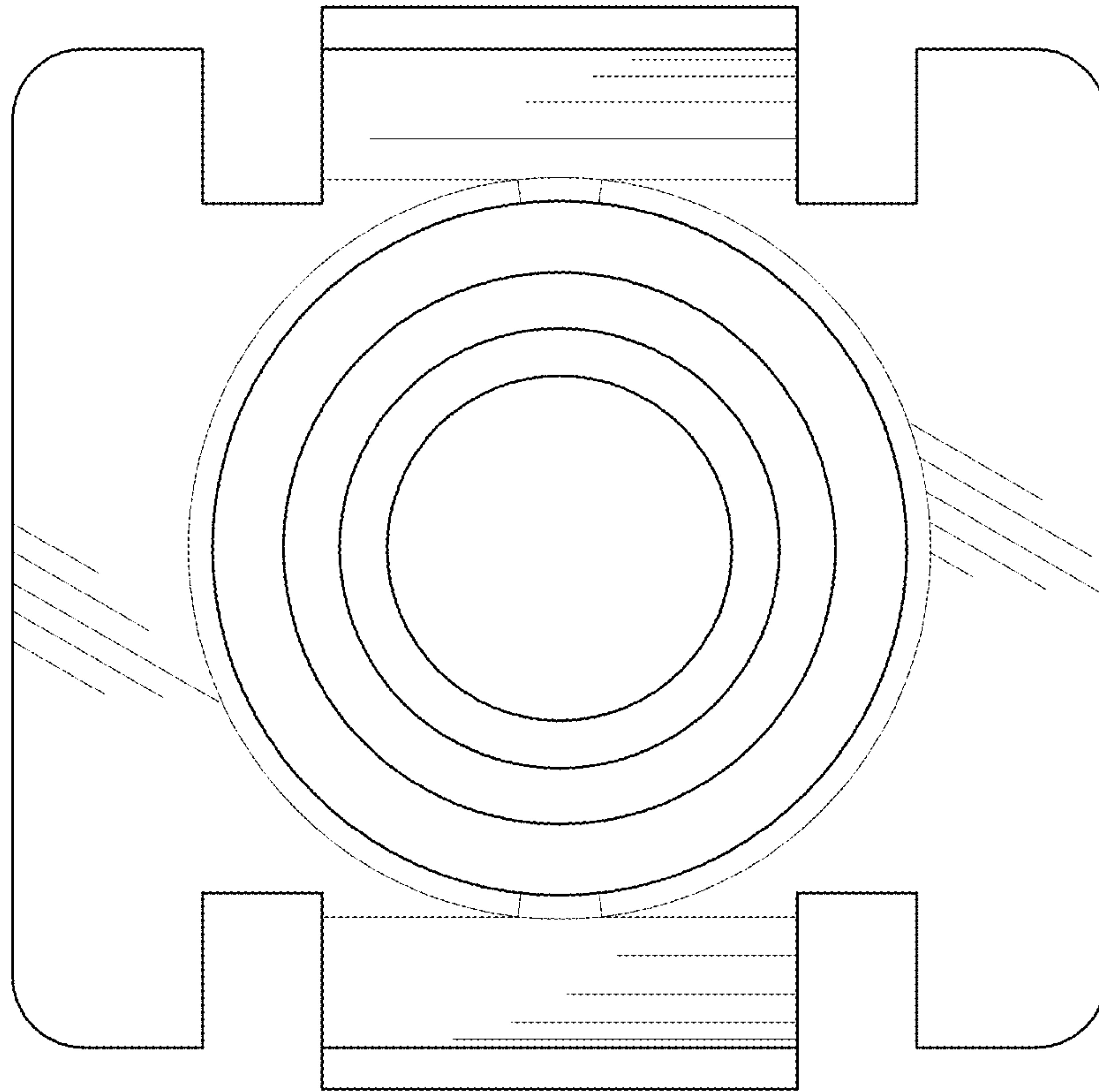


FIG. 3

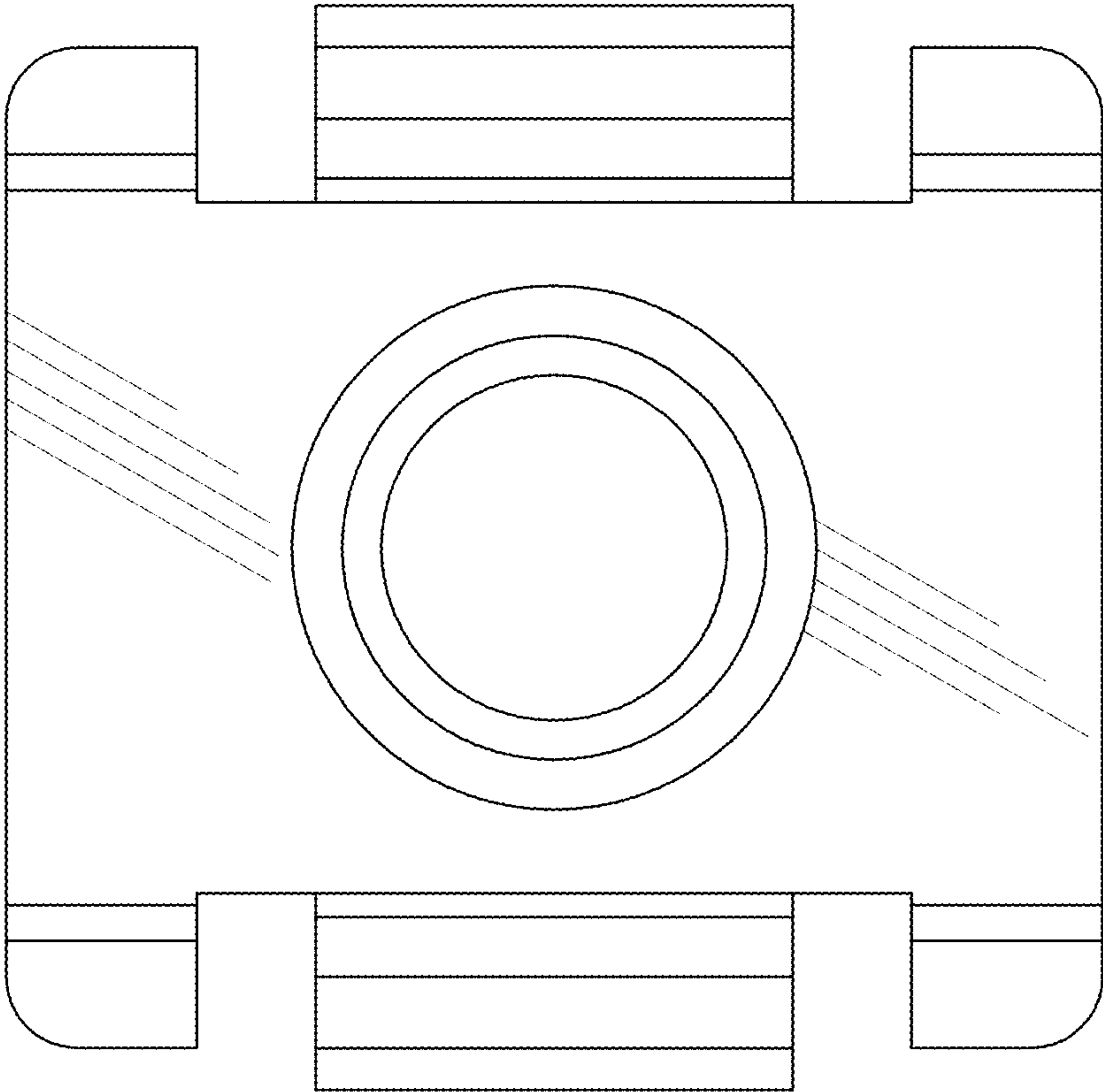


FIG. 4

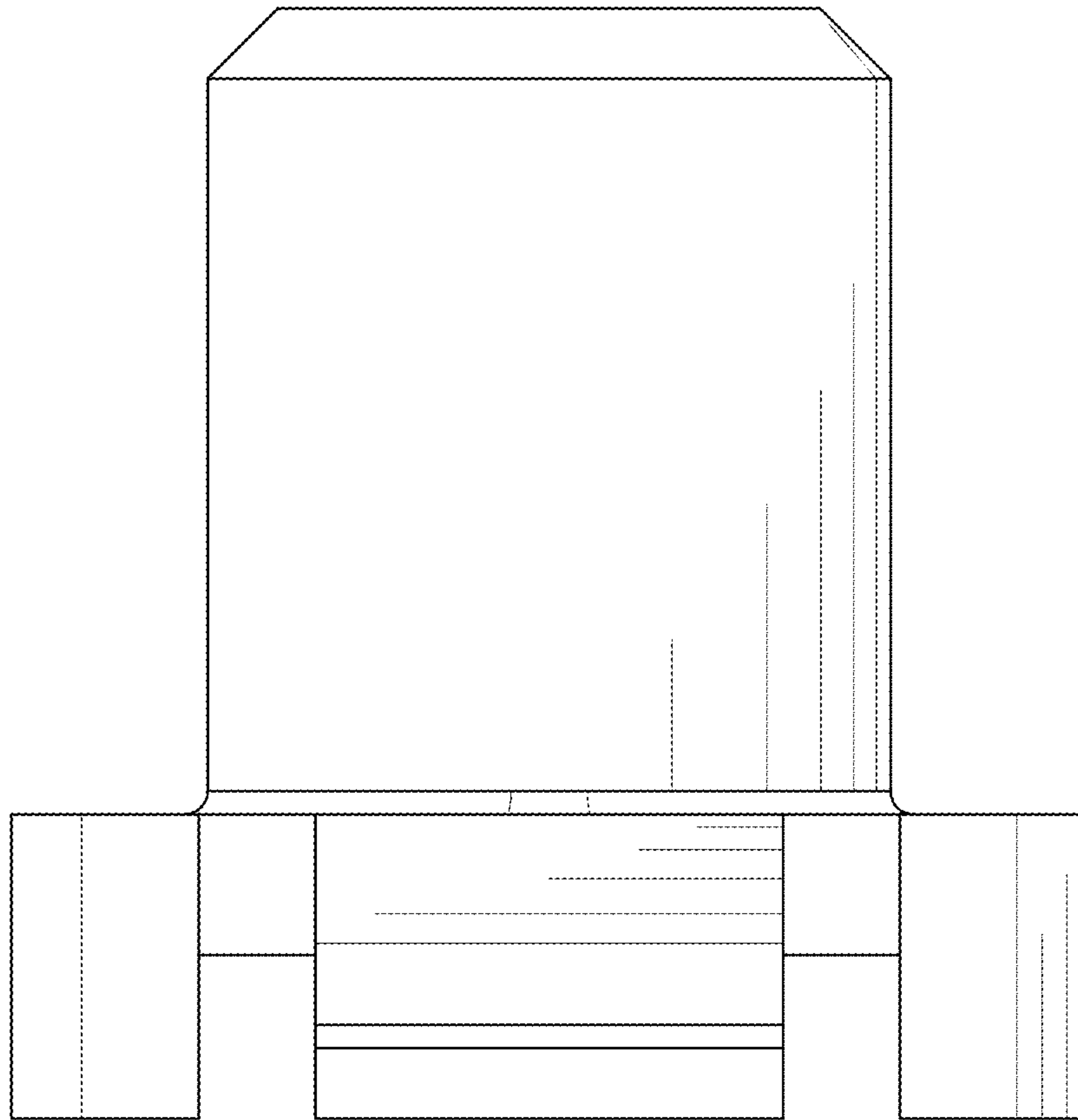


FIG. 5

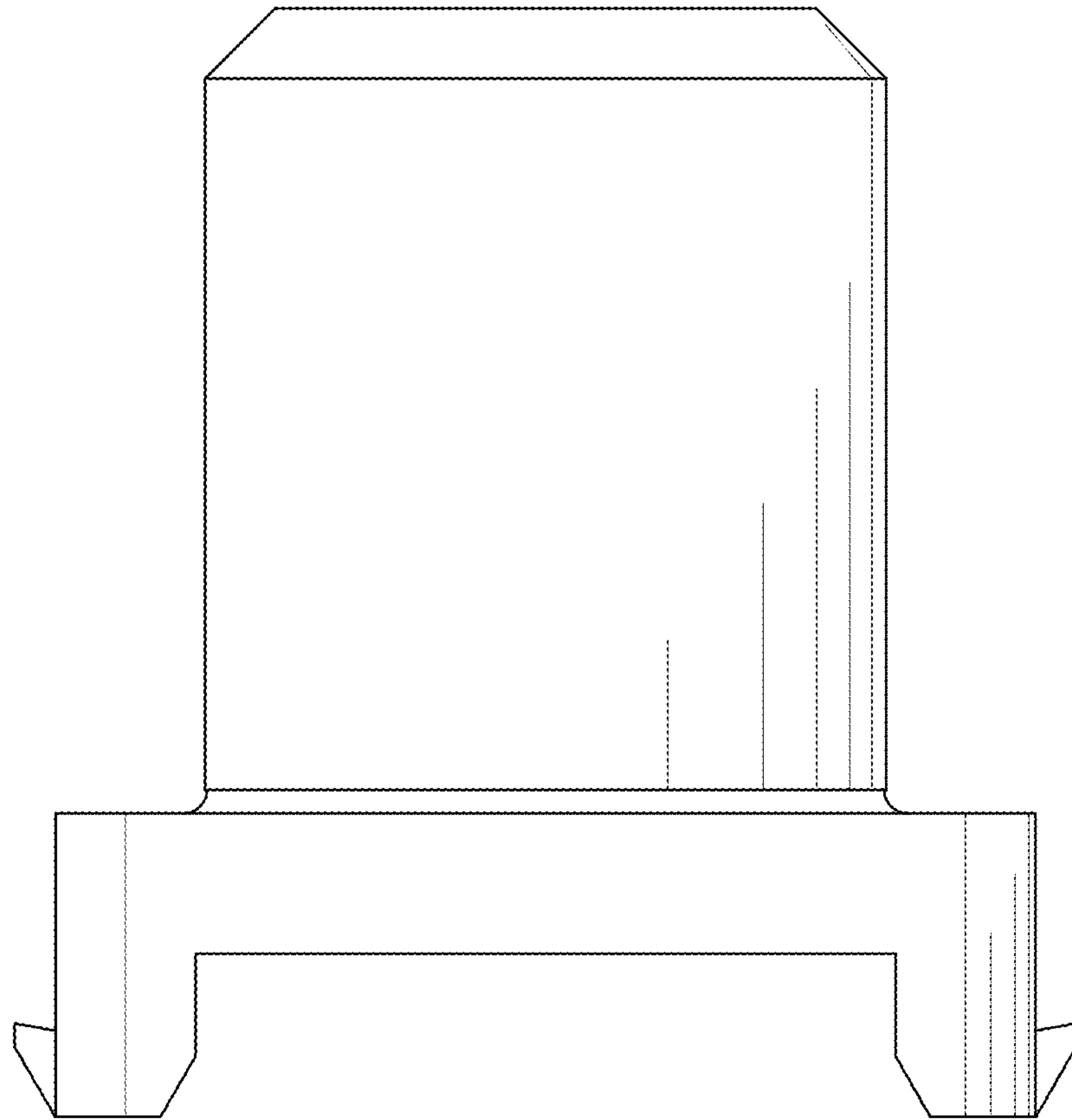


FIG. 6

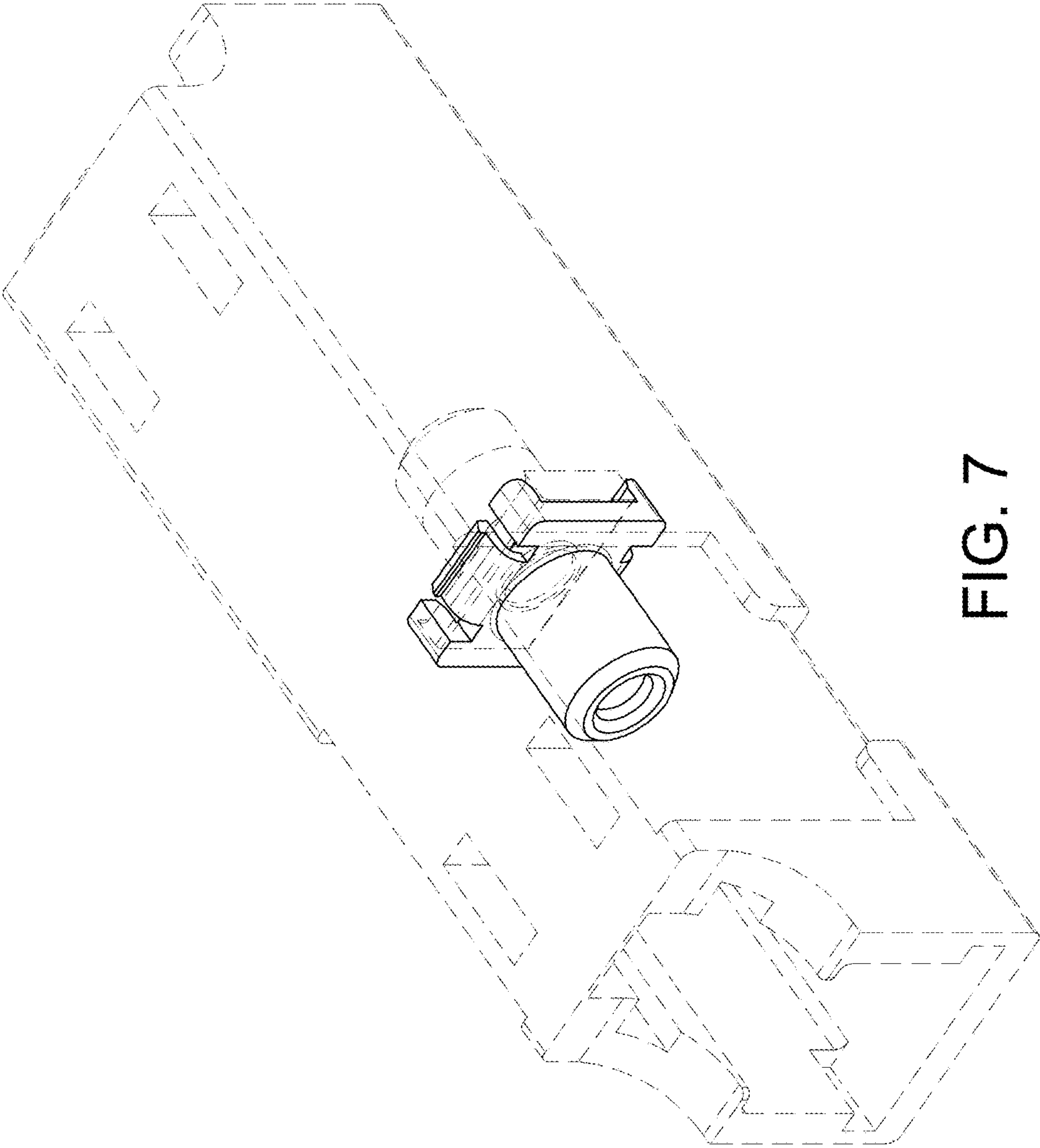


FIG. 7