



US00D845240S

(12) **United States Design Patent**  
**Chen et al.**

(10) **Patent No.:** **US D845,240 S**

(45) **Date of Patent:** **\*\* Apr. 9, 2019**

(54) **PART OF A RECEPTACLE CONNECTOR**

(71) Applicant: **ADVANCED-CONNECTEK INC.,**  
New Taipei (TW)

(72) Inventors: **Jia Chen**, New Taipei (TW); **Pin-Yuan Hou**, New Taipei (TW); **Jia-Qi Li**, New Taipei (TW); **Hsu-Fen Wang**, New Taipei (TW)

(73) Assignee: **ADVANCED-CONNECTEK INC.,**  
New Taipei (TW)

(\*\*) Term: **15 Years**

(21) Appl. No.: **29/612,615**

(22) Filed: **Aug. 2, 2017**

(51) **LOC (11) Cl.** ..... **13-03**

(52) **U.S. Cl.**  
USPC ..... **D13/133; D13/146**

(58) **Field of Classification Search**

USPC ..... D13/101, 103, 110, 118, 123, 133,  
D13/145-149, 151, 154, 173, 184, 199  
CPC . H01R 9/00; H01R 9/03; H01R 13/00; H01R  
13/28; H01R 13/44; H01R 13/52; H01R  
13/58; H01R 13/62; H01R 13/64; H01R  
13/65; H01R 13/658; H01R 13/659;  
H01R 31/06; H01R 13/645; H01R 24/28;  
H01R 33/00; H01R 33/02; H01R 33/05;  
H01R 33/22; H01R 33/46; H01R 33/94  
See application file for complete search history.

(56) **References Cited**

**U.S. PATENT DOCUMENTS**

D415,467 S \* 10/1999 Starkey ..... D13/133  
D434,728 S \* 12/2000 Huang ..... D13/147

D519,928 S \* 5/2006 Lai ..... D13/146  
D607,408 S \* 1/2010 Masumoto ..... D13/147  
D633,049 S \* 2/2011 Arai ..... D13/147  
D747,272 S \* 1/2016 Zhao ..... D13/147  
2013/0288543 A1\* 10/2013 Higuchi ..... H01R 13/426  
439/744  
2015/0244101 A1\* 8/2015 Chien ..... H01R 13/5202  
439/271  
2017/0194749 A1\* 7/2017 Little ..... H01R 13/6581  
2017/0256881 A1\* 9/2017 Lambie ..... H01R 13/5219  
2018/0034189 A1\* 2/2018 Li ..... H01R 13/447

\* cited by examiner

*Primary Examiner* — Angela J Lee

*Assistant Examiner* — Shawn T Gingrich

(74) *Attorney, Agent, or Firm* — Rabin & Berdo, P.C.

(57) **CLAIM**

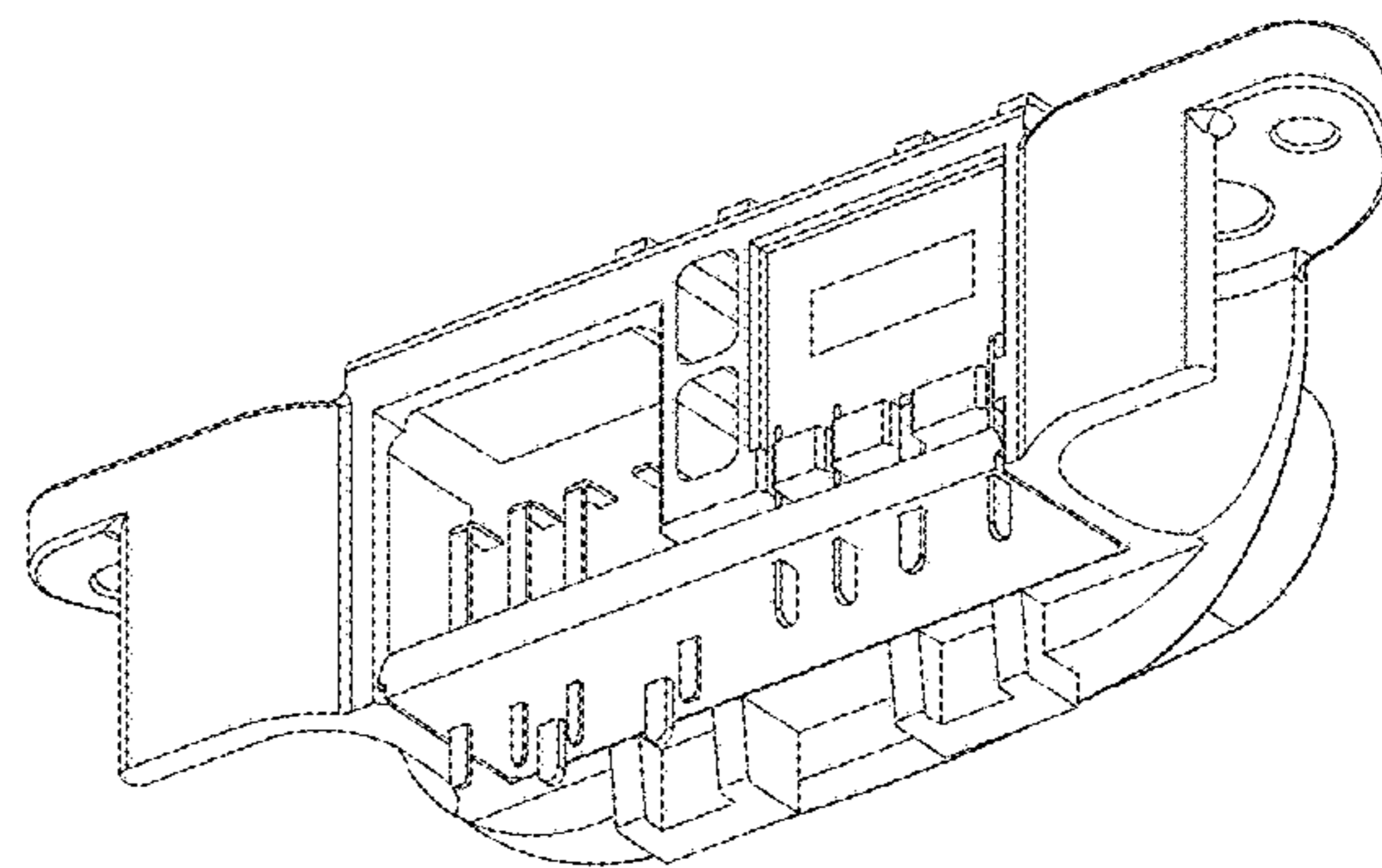
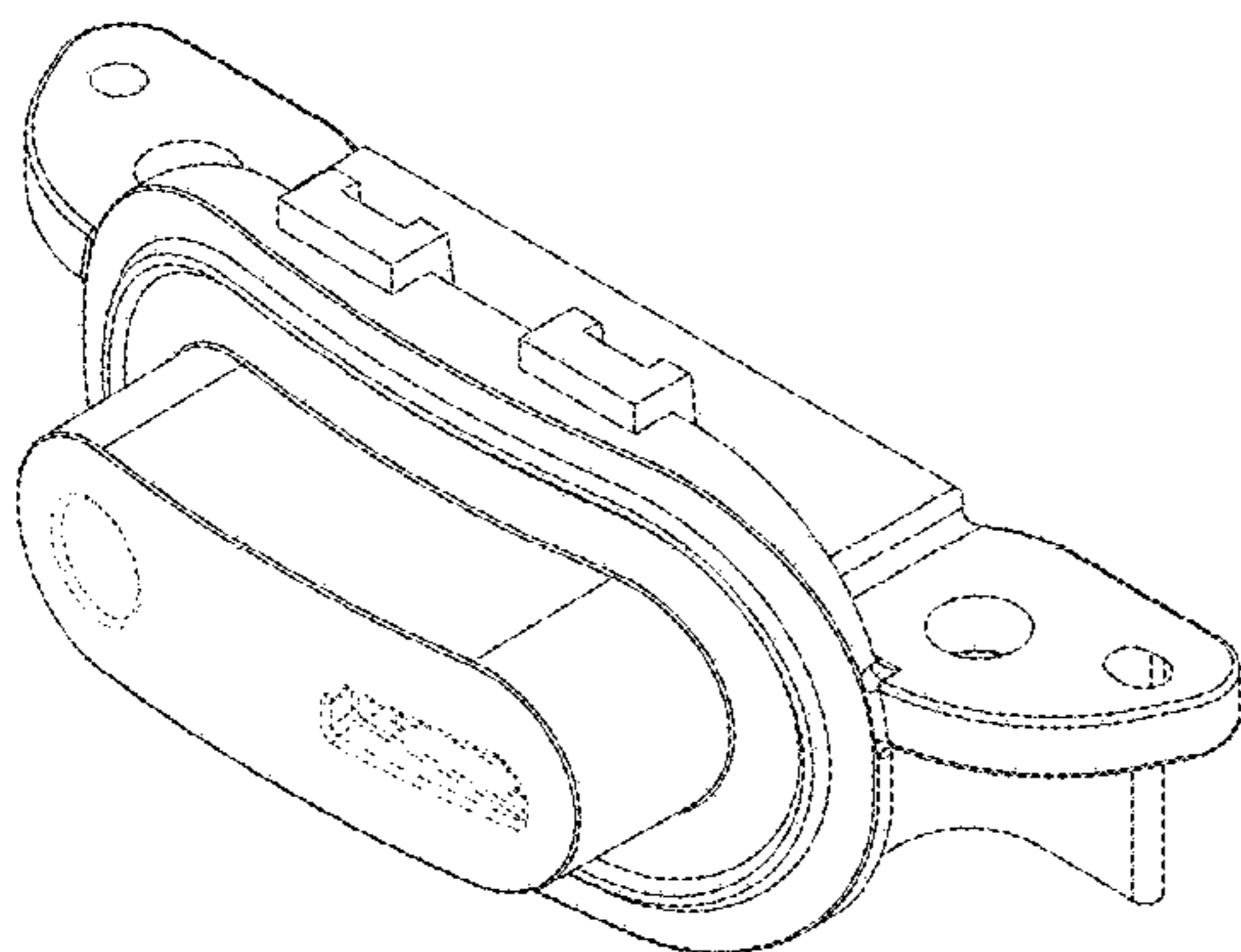
The ornamental design for a part of a receptacle connector, as shown and described.

**DESCRIPTION**

FIG. 1 is a perspective view of a part of a receptacle connector showing our new design;  
FIG. 2 is a front view thereof;  
FIG. 3 is a rear view thereof;  
FIG. 4 is a left side view thereof;  
FIG. 5 is a right side view thereof;  
FIG. 6 is a top view thereof;  
FIG. 7 is a bottom view thereof;  
FIG. 8 is another perspective view thereof; and,  
FIG. 9 is a front schematic perspective view thereof, shown in environmental use.

The broken lines in the figures illustrate portions of the article that form no part of the claimed design.

**1 Claim, 9 Drawing Sheets**



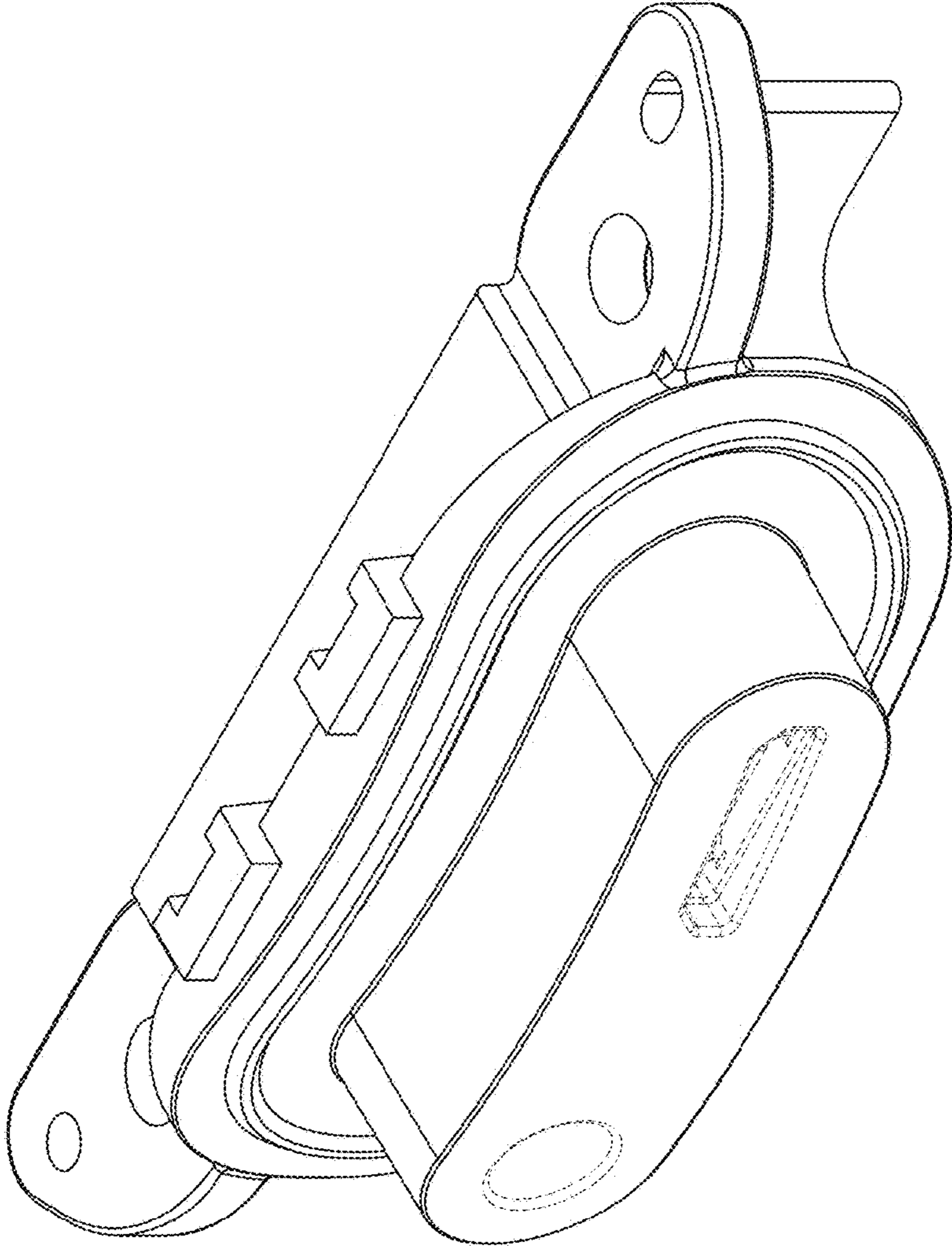


Fig. 1

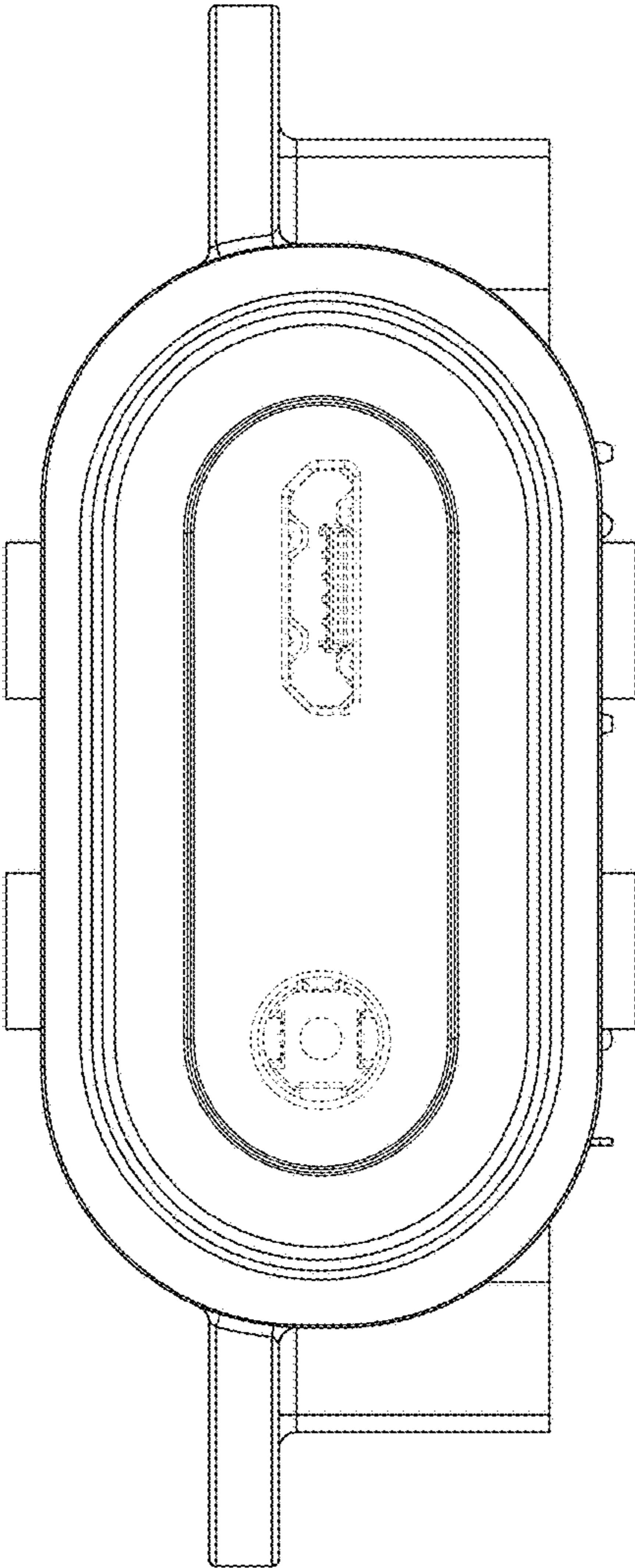


Fig. 2

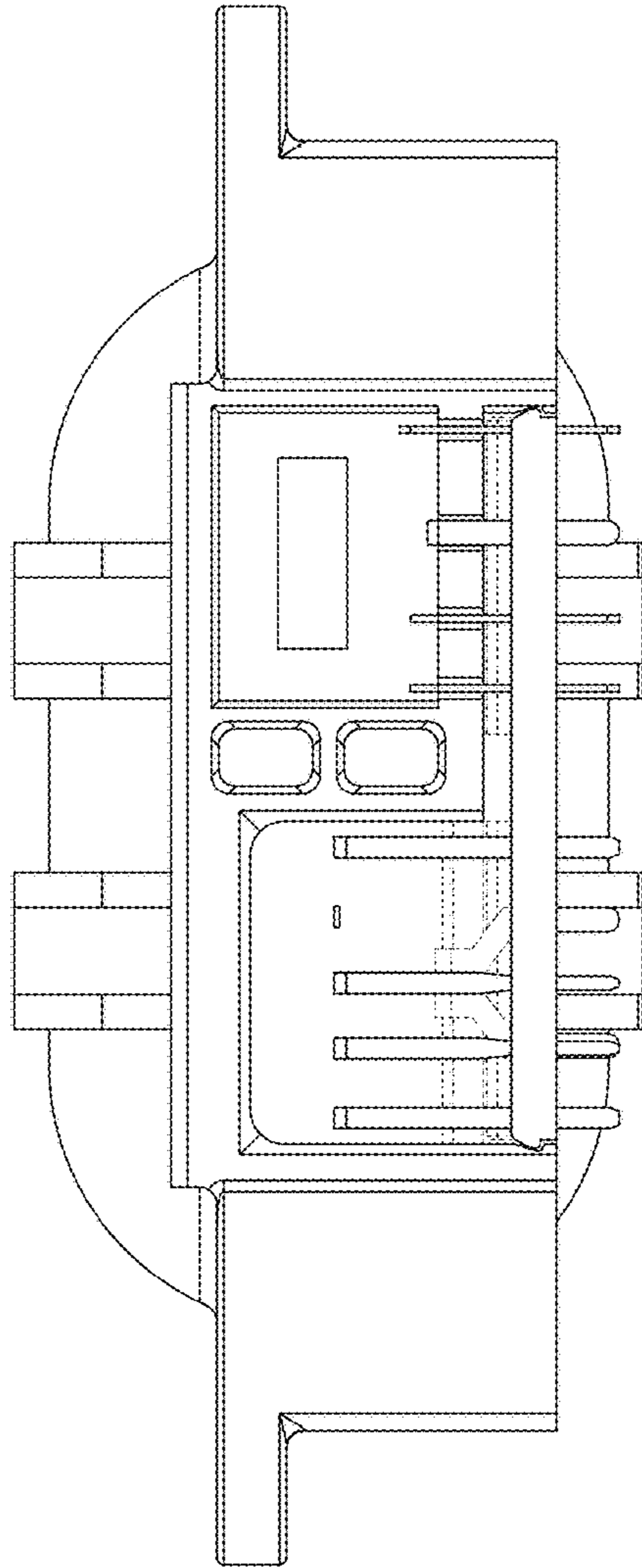


Fig. 3

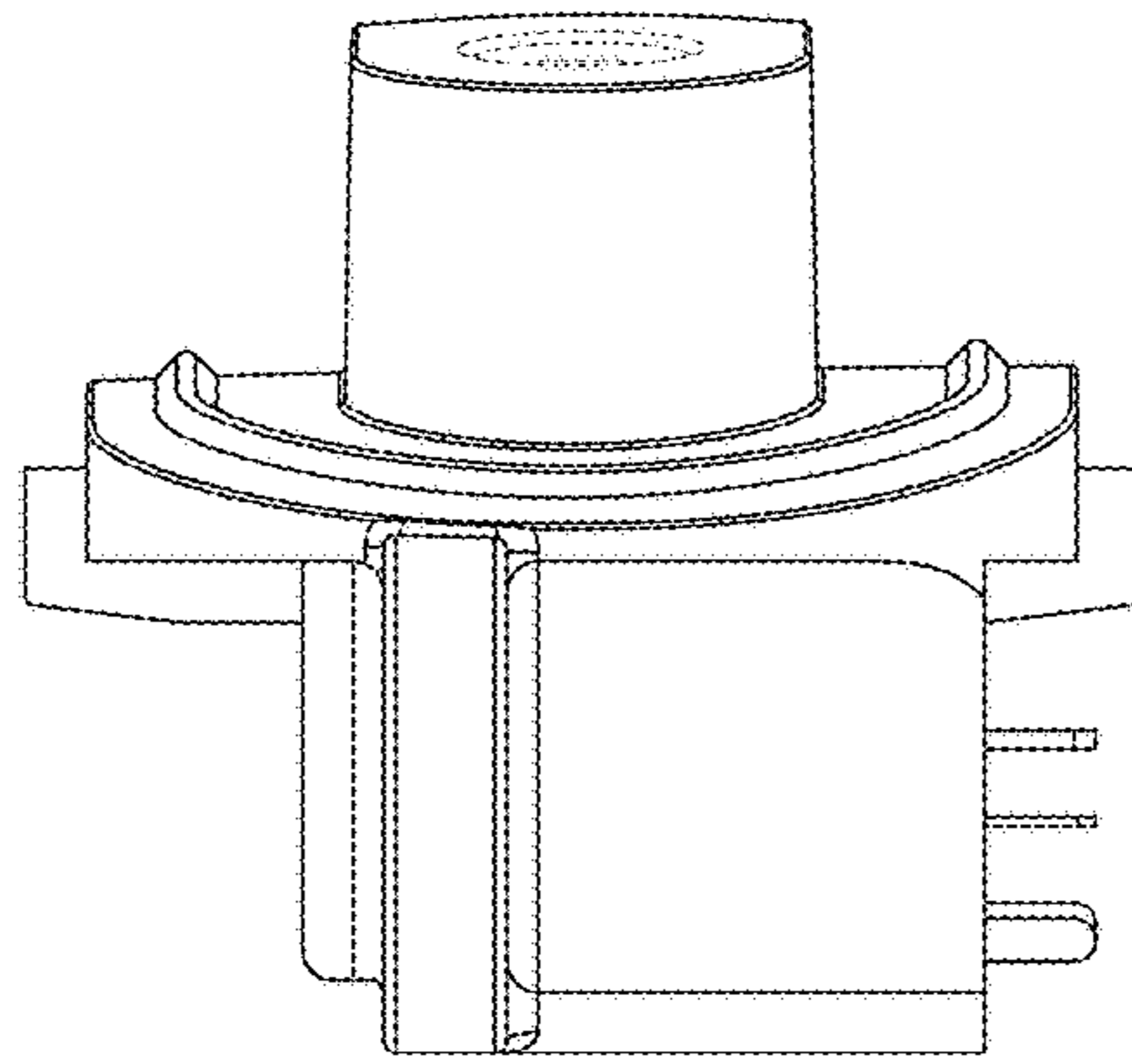


Fig. 4

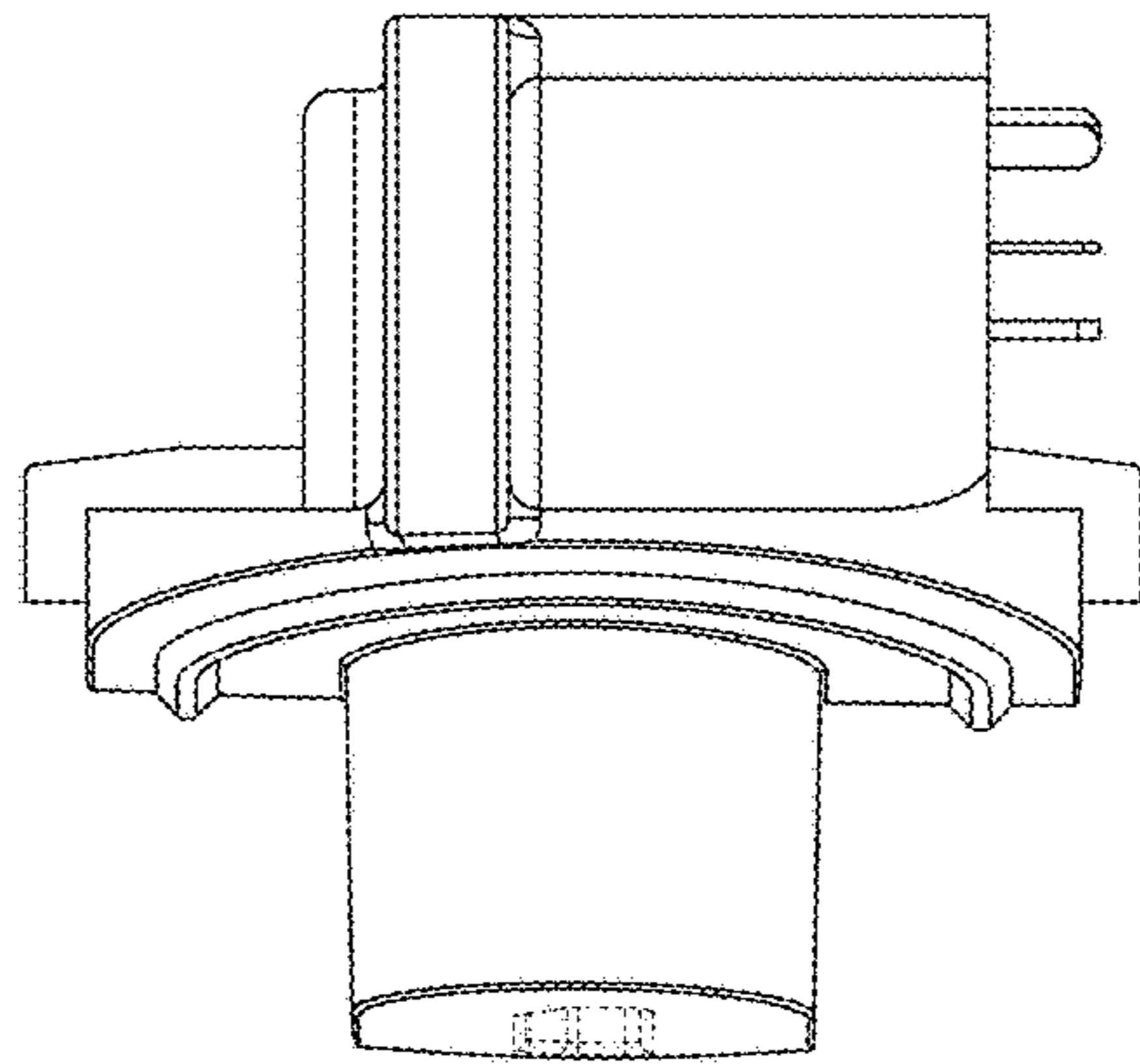


Fig. 5



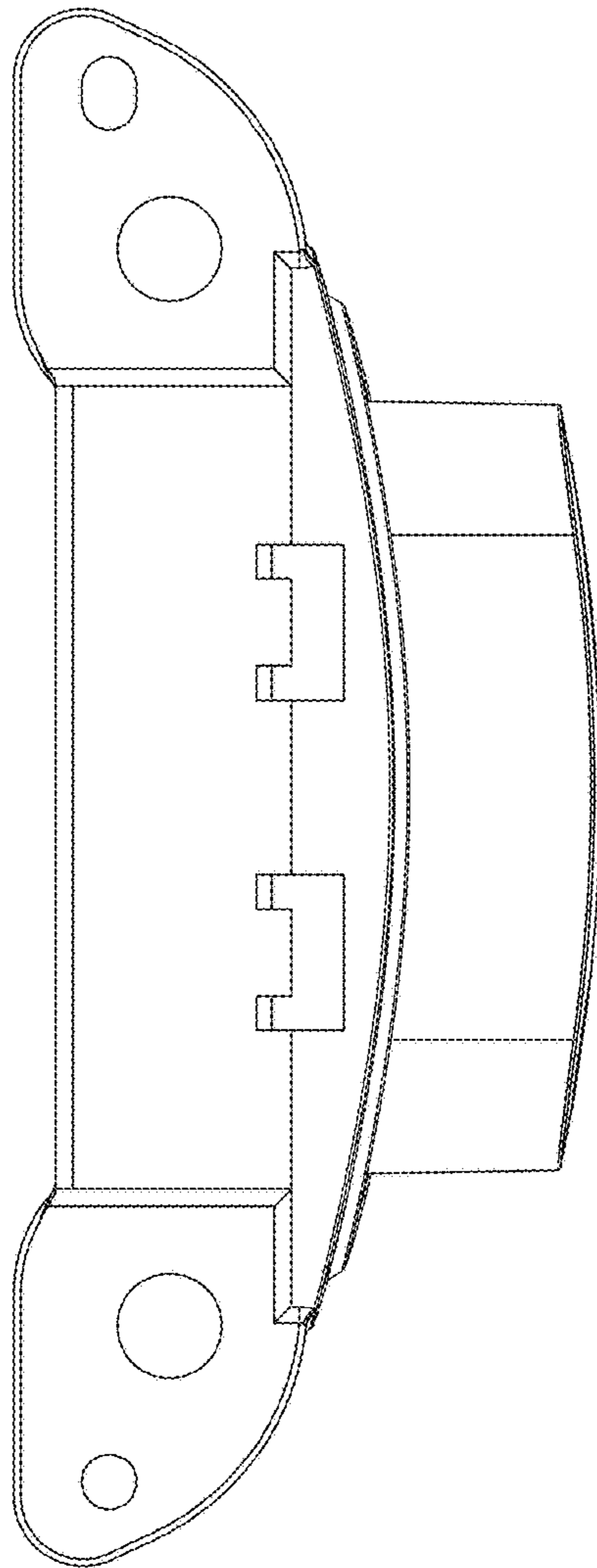


Fig. 6

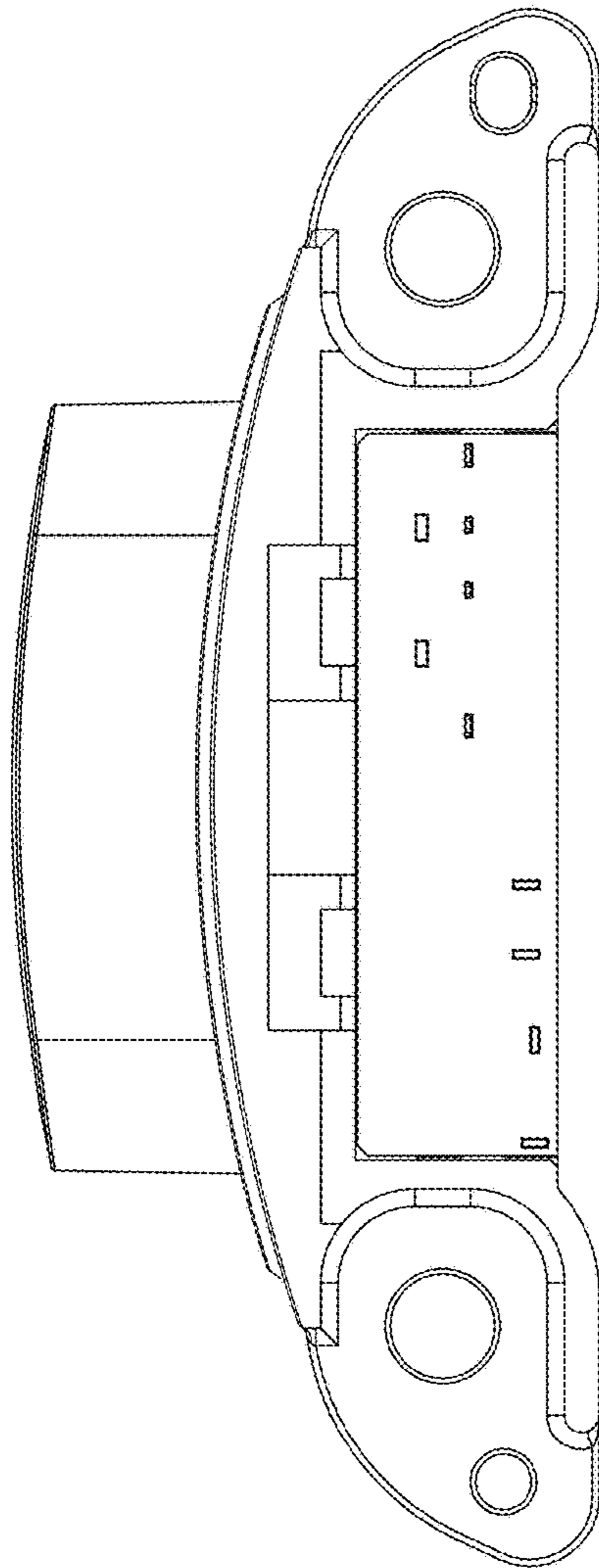


Fig. 7



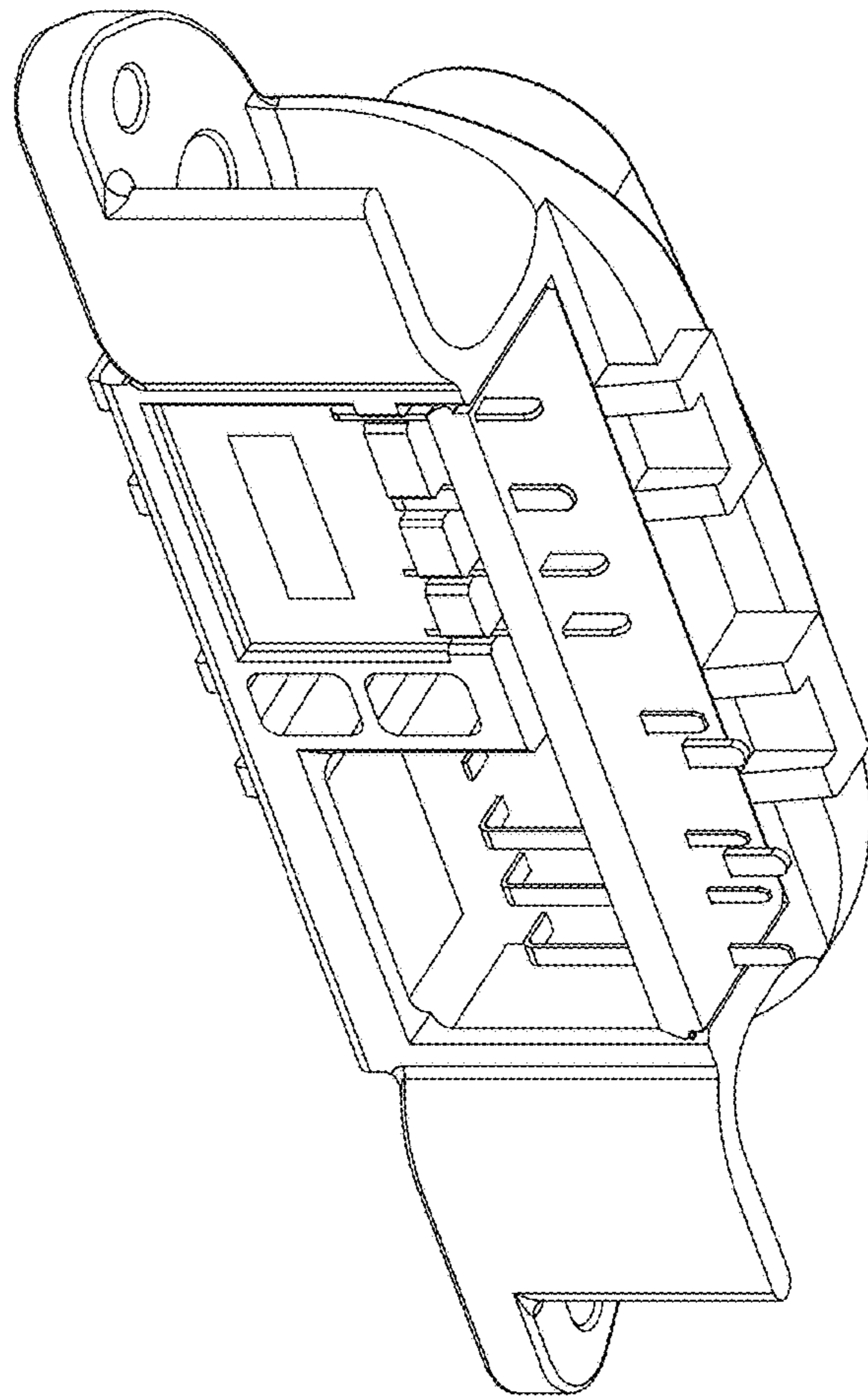


Fig. 8

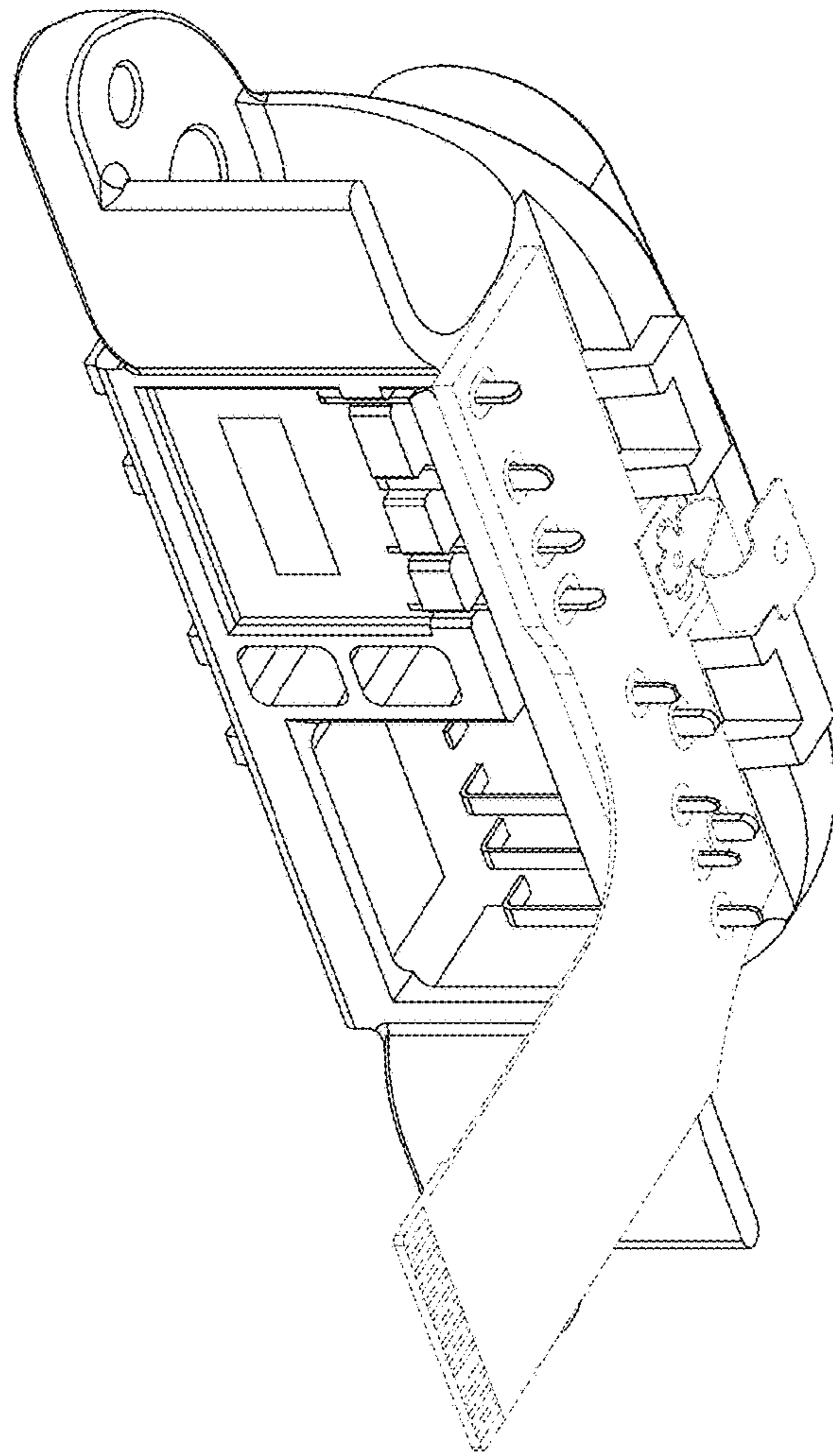


Fig. 9