



US00D845239S

(12) **United States Design Patent**
McMillan

(10) **Patent No.:** **US D845,239 S**

(45) **Date of Patent:** **** Apr. 9, 2019**

(54) **VEHICLE CHARGER CONNECTOR**

(71) Applicant: **Antonio Trigiani**, Bristol, TN (US)

(72) Inventor: **Timothy A. McMillan**, Piney Flats, TN (US)

(73) Assignee: **Antonio Trigiani**, Bristol, TN (US)

(**) Term: **15 Years**

(21) Appl. No.: **29/557,889**

(22) Filed: **Mar. 14, 2016**

Related U.S. Application Data

(62) Division of application No. 29/467,014, filed on Sep. 13, 2013, now Pat. No. Des. 754,605.

(51) **LOC (11) Cl.** **13-03**

(52) **U.S. Cl.**
USPC **D13/133**

(58) **Field of Classification Search**

USPC D12/16, 400; D13/107, 110, 123, 133, D13/145, 147, 152, 154-156, 184, 199
CPC B60L 11/18; H01K 13/11; H01K 24/00; H05K 13/00; H02J 7/00; H02J 7/02; H02J 7/10; H02J 7/14

See application file for complete search history.

(56) **References Cited**

U.S. PATENT DOCUMENTS

D409,563	S	5/1999	Haase et al.	
5,926,005	A	7/1999	Holcomb et al.	
D481,679	S	11/2003	Garver	
D578,473	S	10/2008	Okuda et al.	
8,202,124	B1	6/2012	Natter et al.	
D694,188	S	11/2013	Ferguson et al.	
D754,605	S *	4/2016	McMillan D13/133
2006/0274996	A1	12/2006	Mine et al.	
2012/0276782	A1	11/2012	Stack et al.	

OTHER PUBLICATIONS

Charge Receptacles, dated Nov. 23, 2010, [online], [site visited May 28, 2015]. Available from Internet, <URL: http://golfcarttrader.com/batt_chargers_/charger_receptacles.htm>, previously cited in parent U.S. Appl. No. 29/467,014, filed Sep. 13, 2013.

* cited by examiner

Primary Examiner — Angela J Lee

Assistant Examiner — Shawn T Gingrich

(74) *Attorney, Agent, or Firm* — Knox Patents; Thomas A. Kulaga

(57) **CLAIM**

The ornamental design for a vehicle charger connector, as shown and described.

DESCRIPTION

FIG. 1 is a front right perspective view of the vehicle charger connector showing the new design.

FIG. 2 is a front, left, top perspective view thereof.

FIG. 3 is a left view thereof.

FIG. 4 is a right view thereof.

FIG. 5 is a top view thereof.

FIG. 6 is a bottom view thereof.

FIG. 7 is a front view thereof.

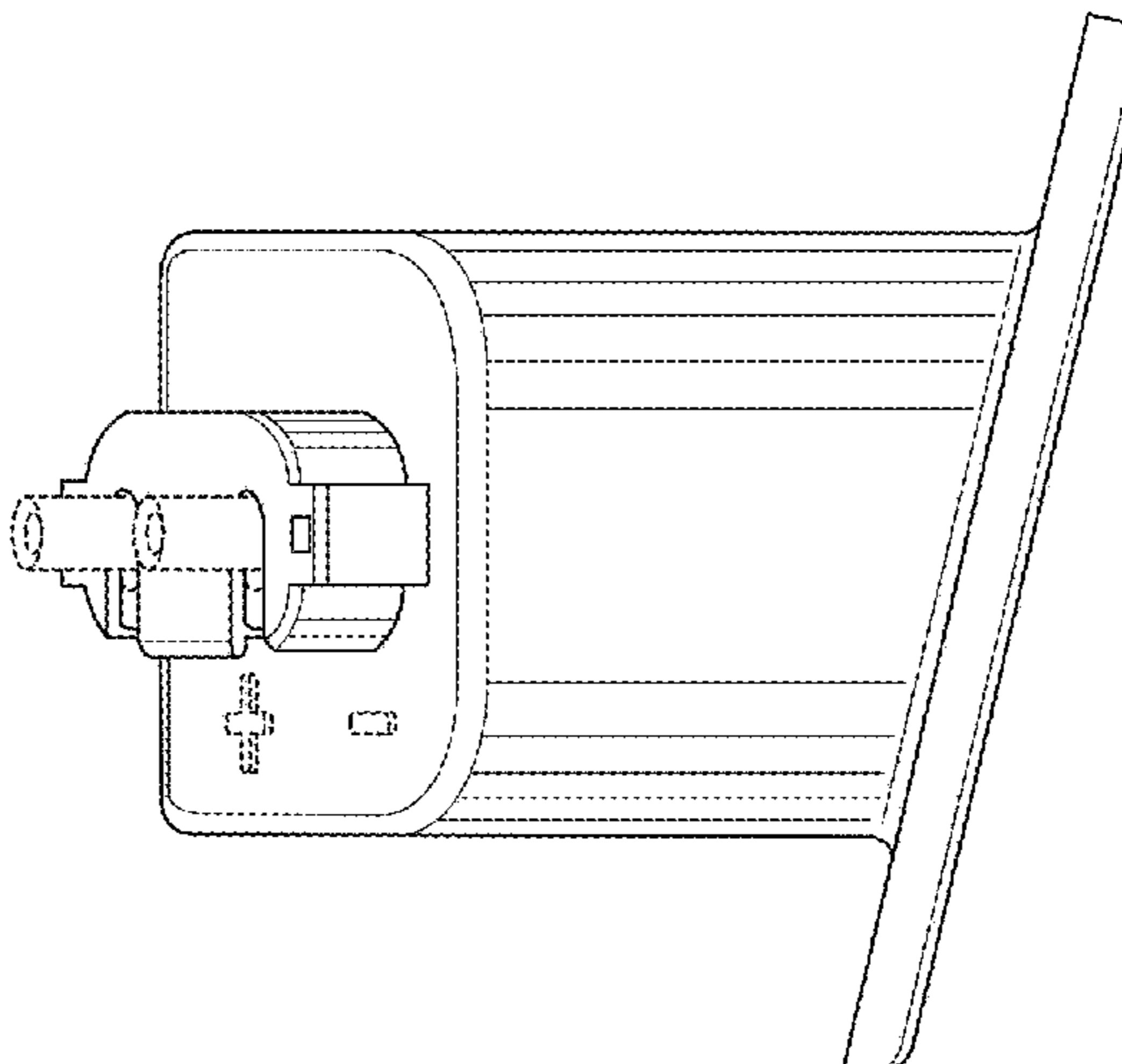
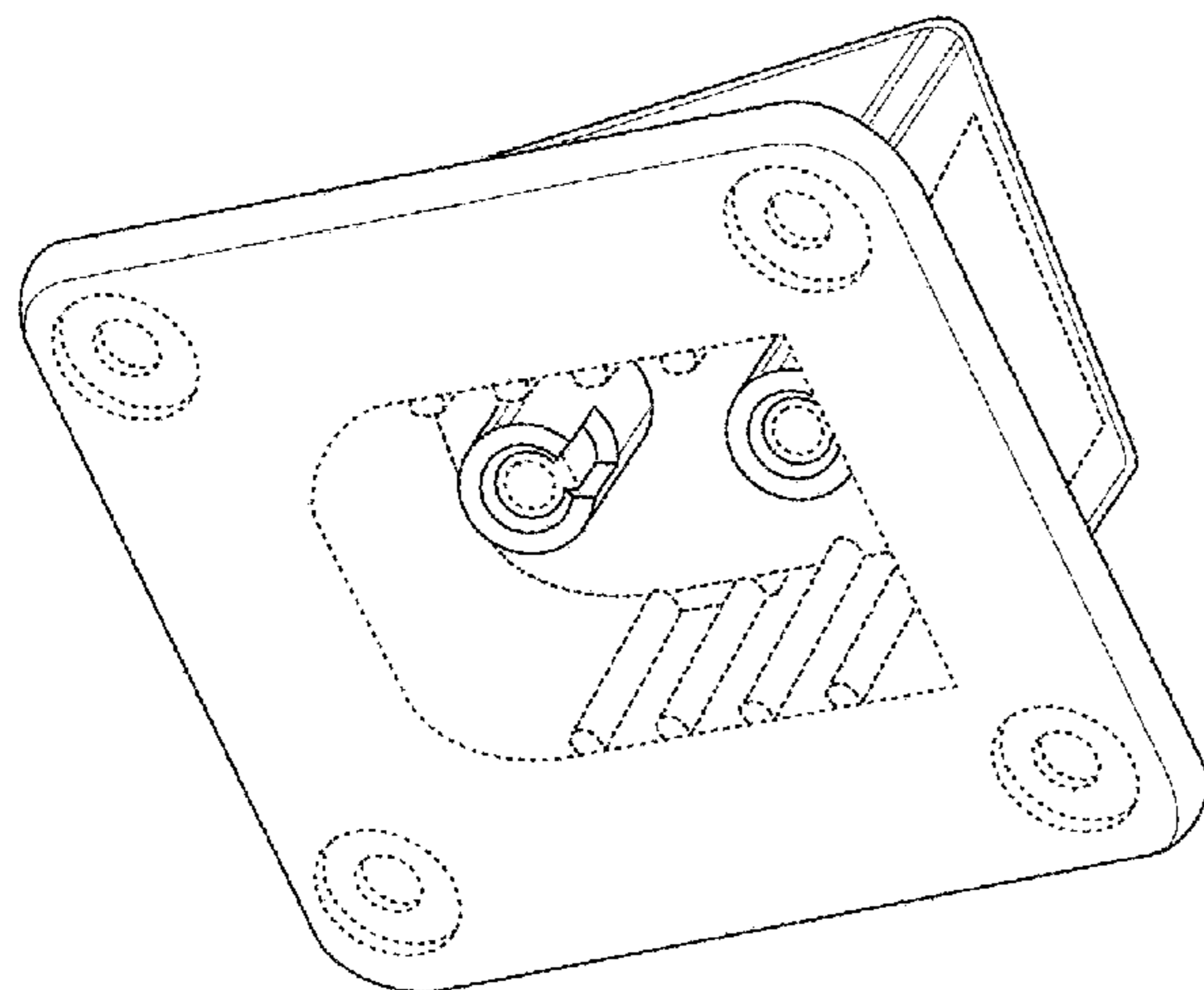
FIG. 8 is a back view thereof.

FIG. 9 is a back-left side view thereof showing a side view of the plate; and,

FIG. 10 is a back-bottom side view thereof showing a side view of the plate.

The broken line portion of the figure drawings is included to show portions of the article that form no part of the claimed design.

1 Claim, 5 Drawing Sheets



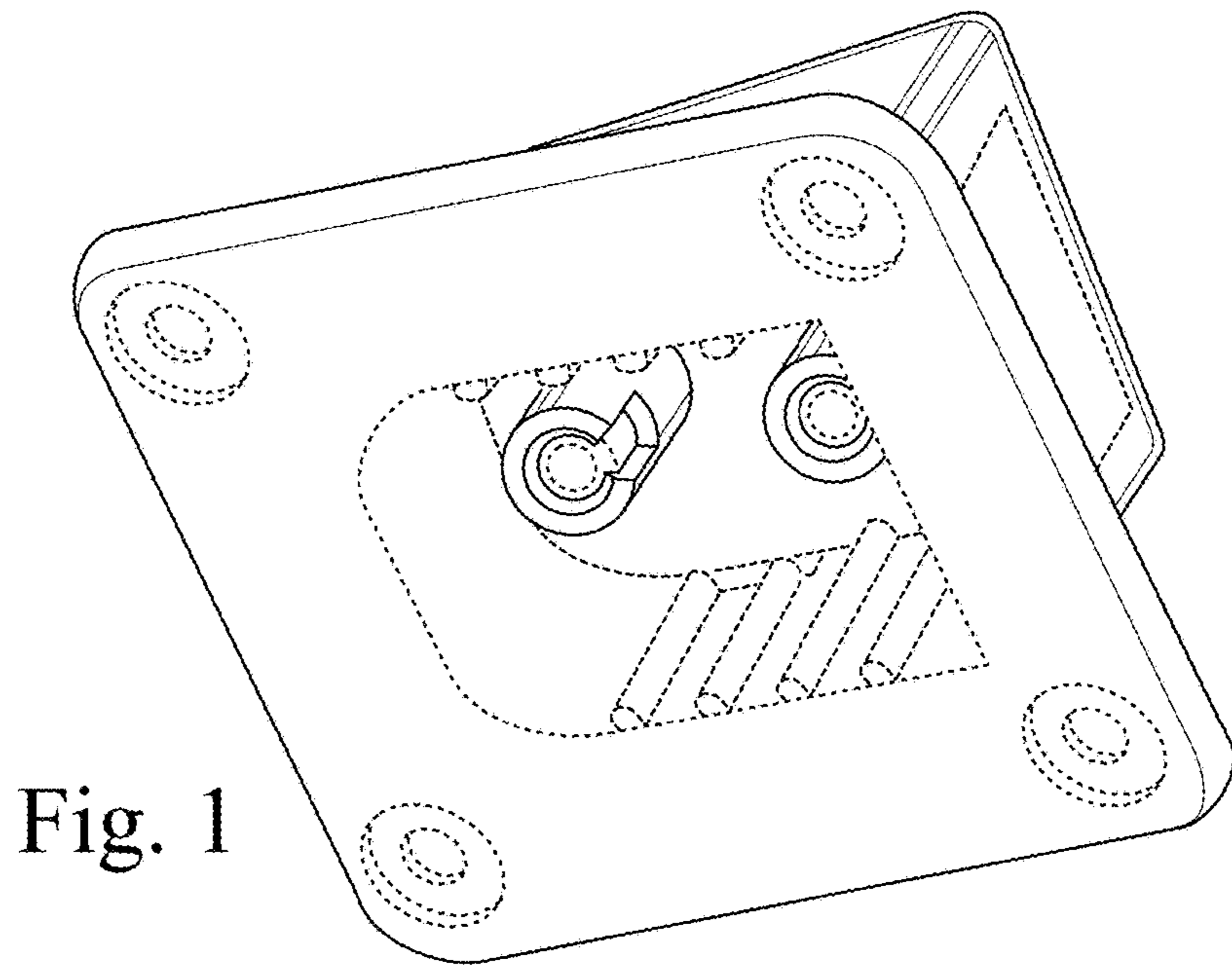


Fig. 1

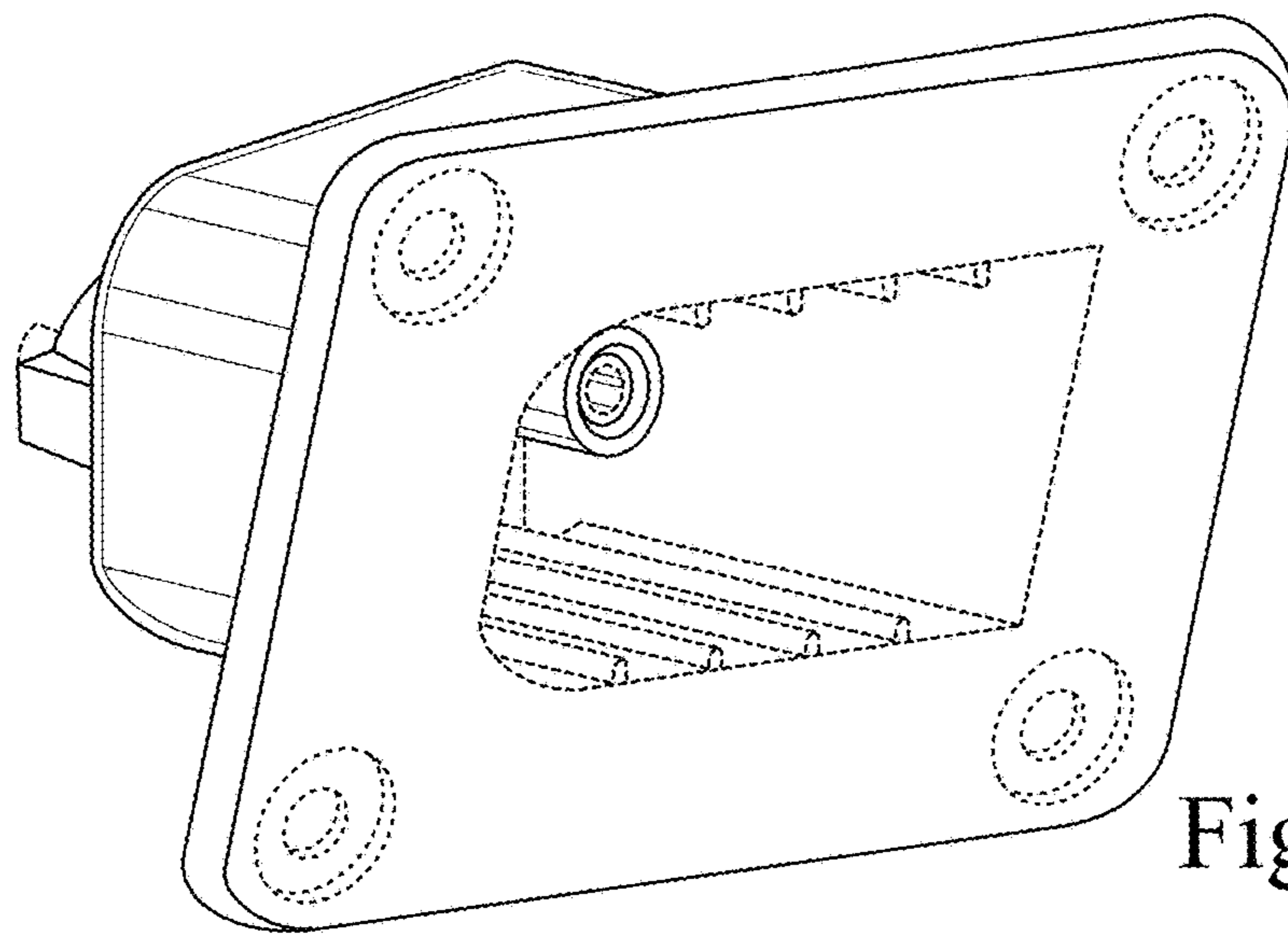


Fig. 2

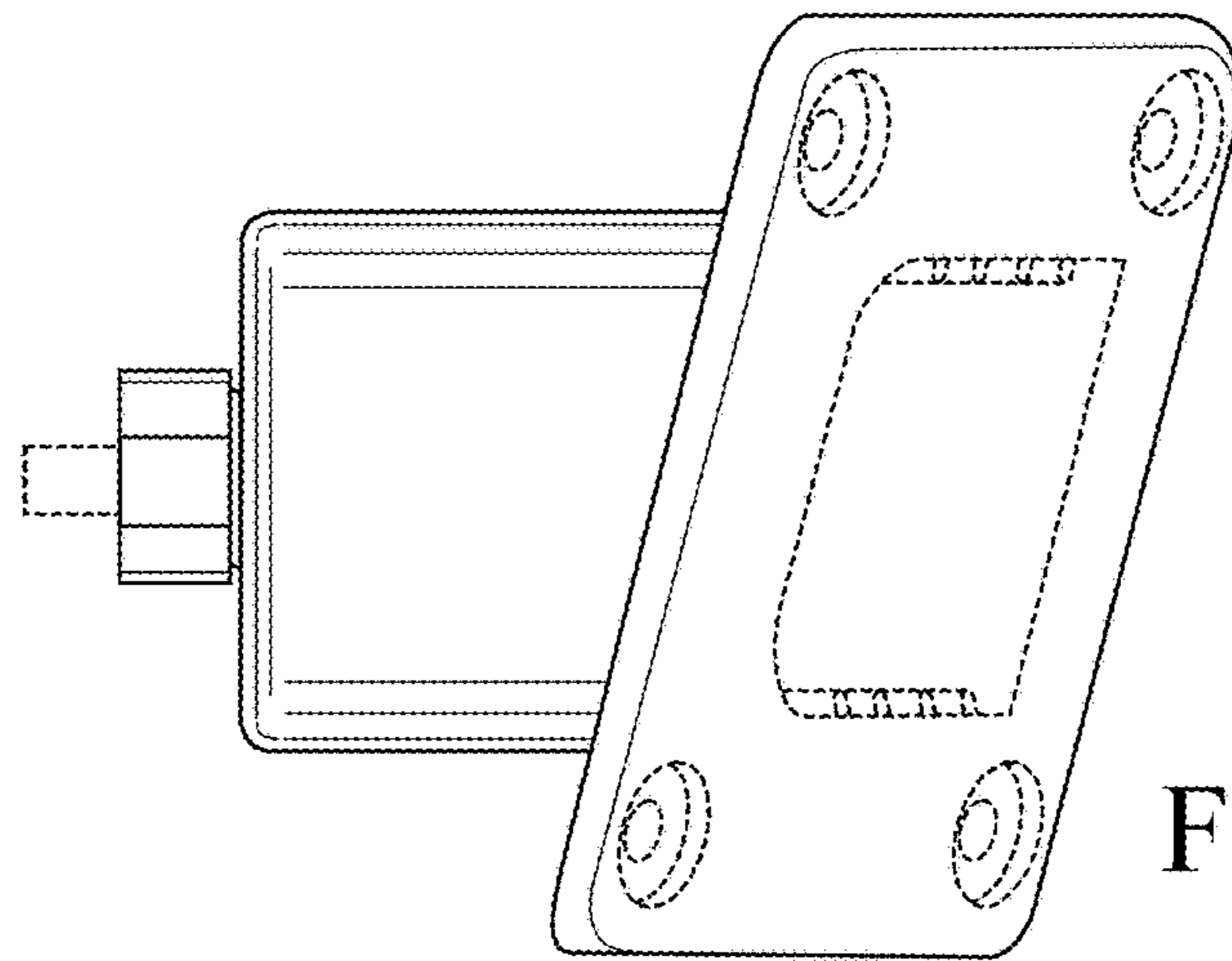


Fig. 3

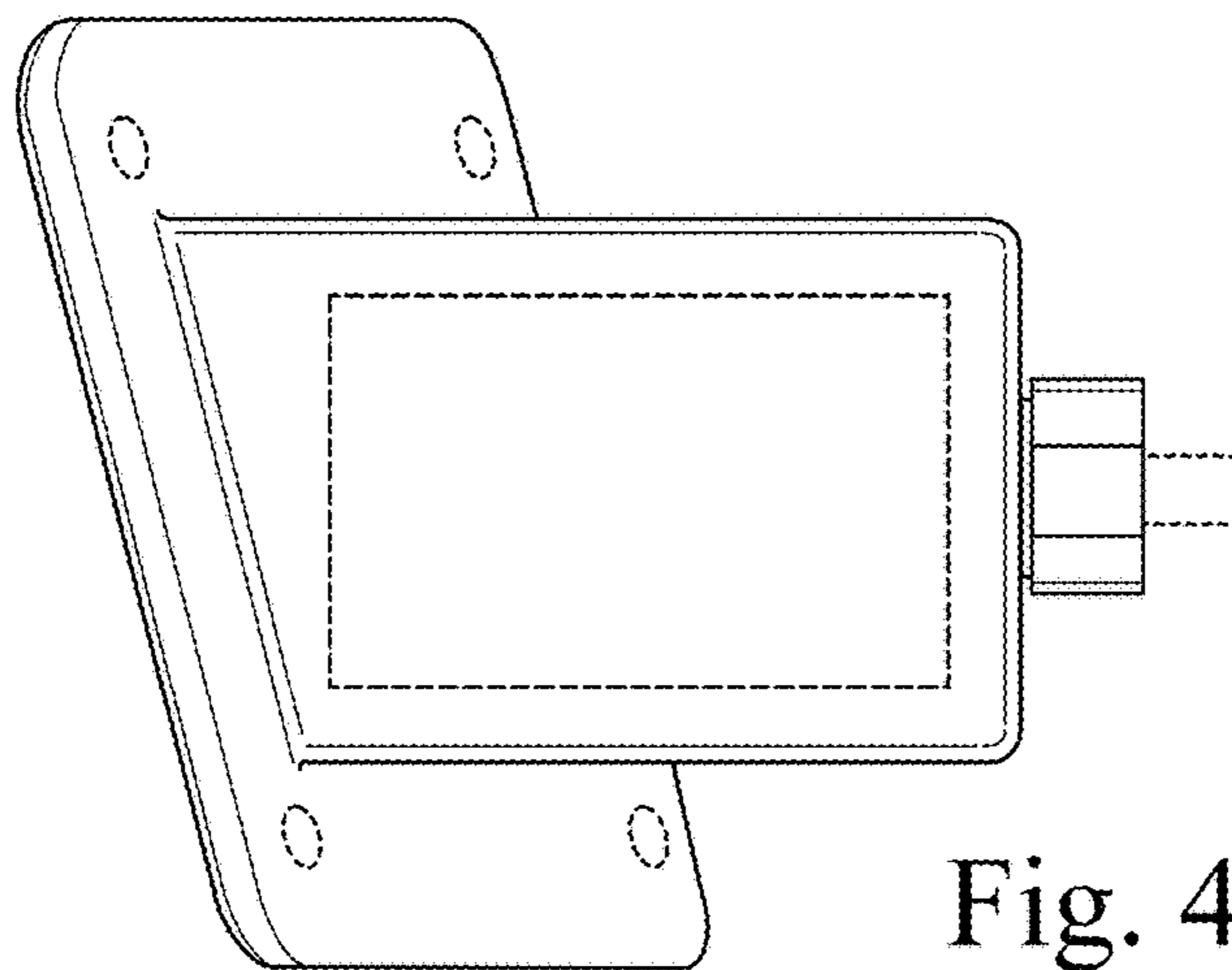


Fig. 4

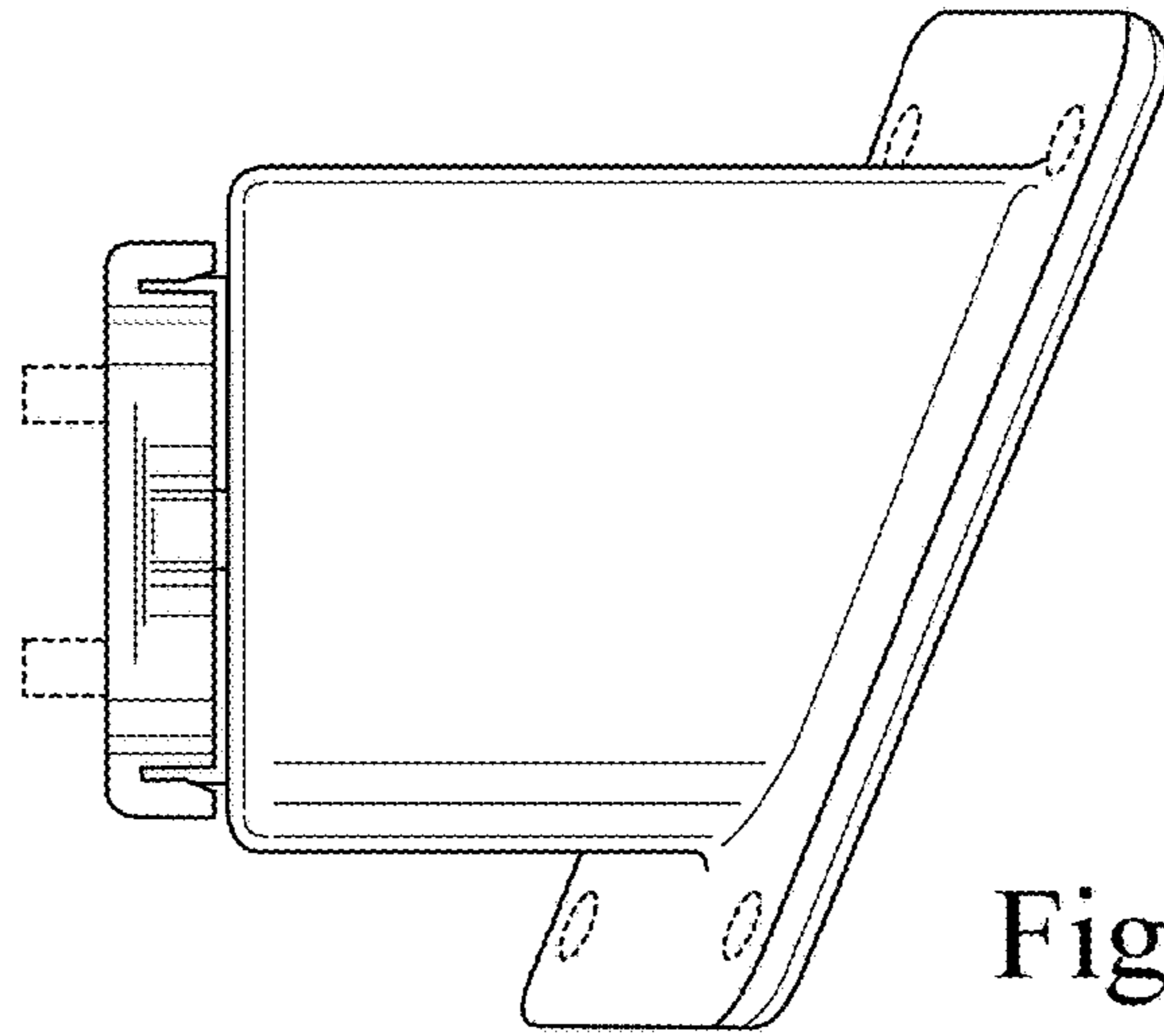


Fig. 5

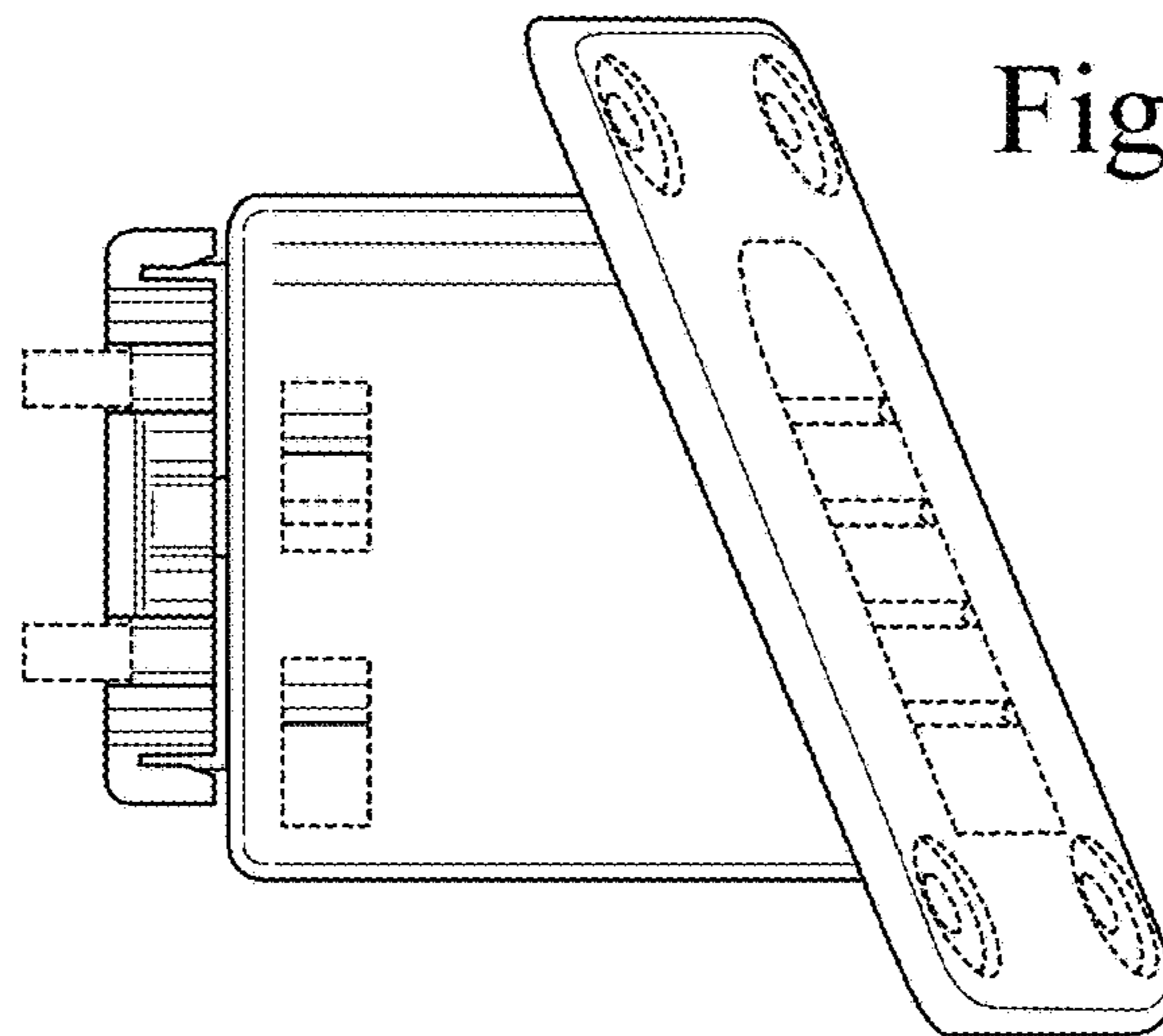


Fig. 6

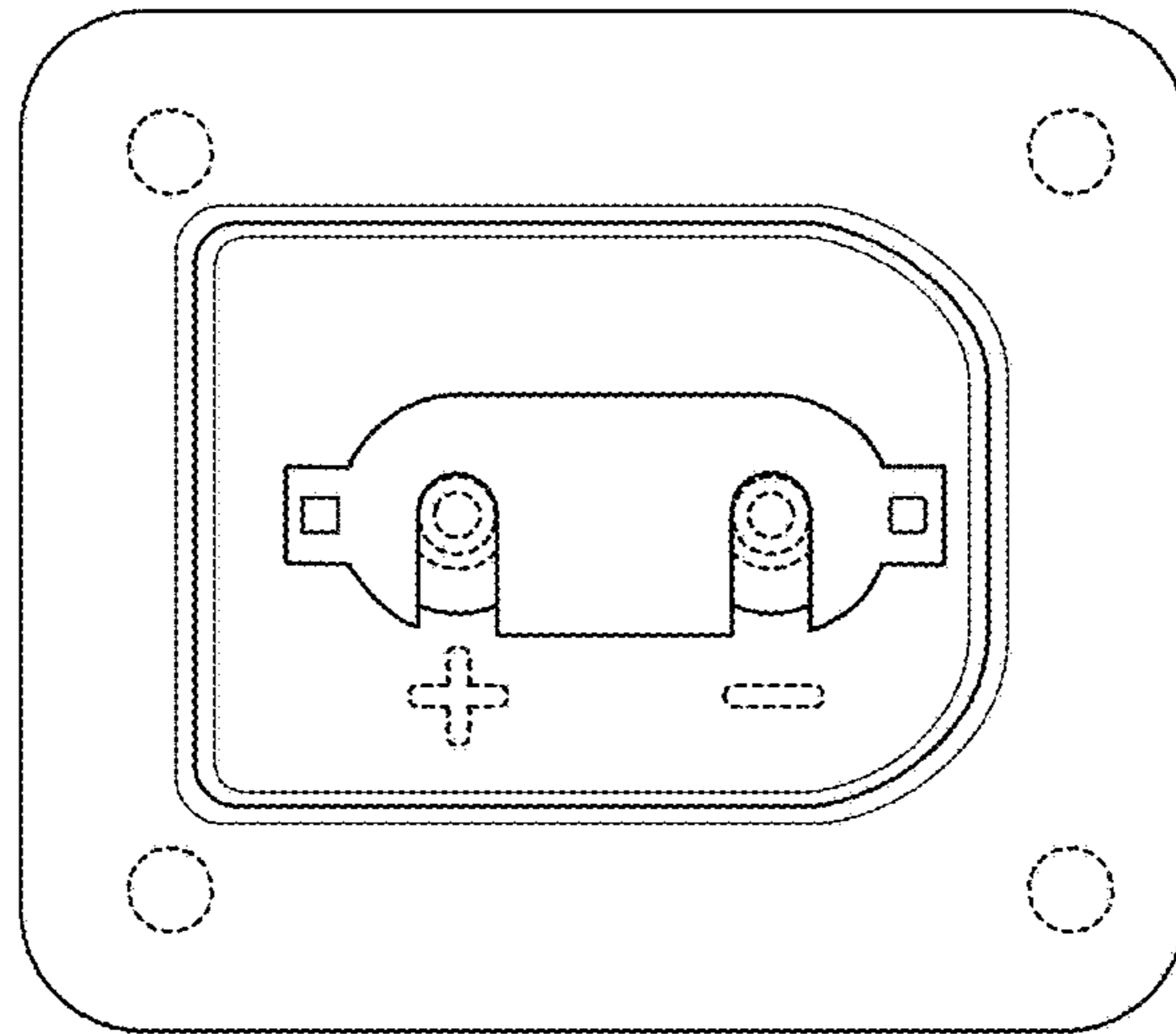


Fig. 7

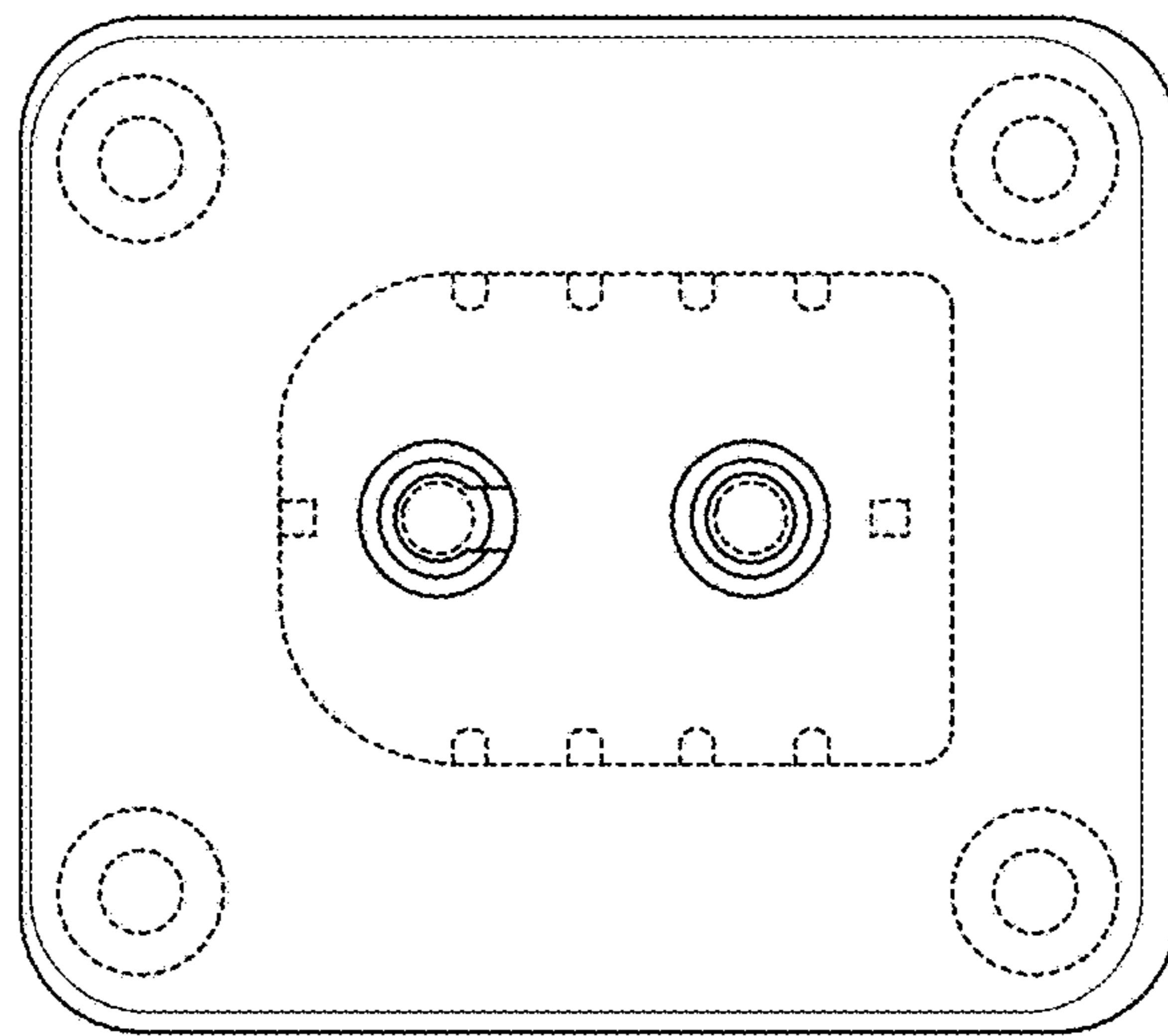


Fig. 8

Fig. 9

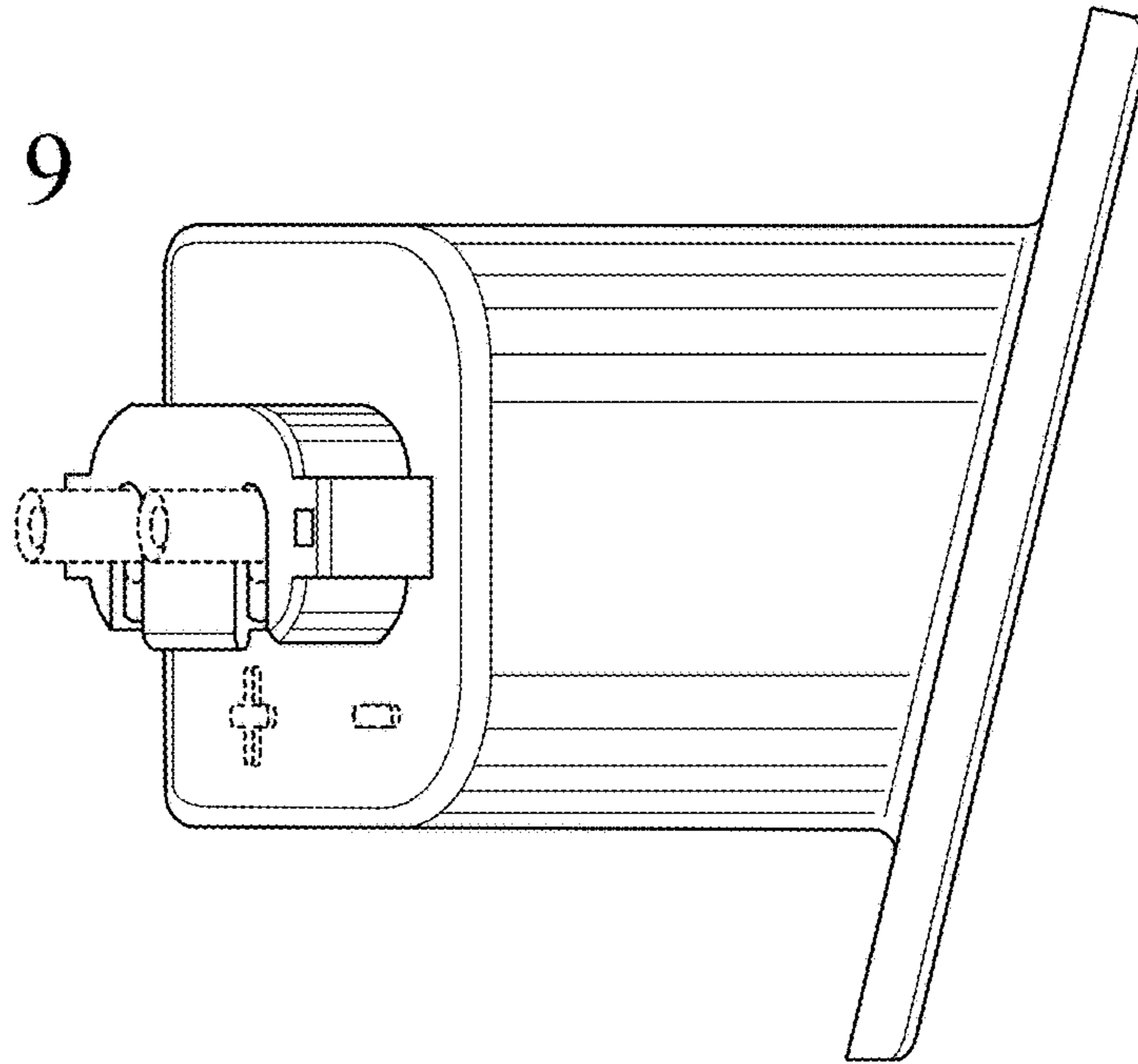


Fig. 10

