



US00D845237S

(12) **United States Design Patent**
Lin

(10) **Patent No.:** **US D845,237 S**

(45) **Date of Patent:** **** Apr. 9, 2019**

- (54) **TERMINAL SEAT**
- (71) Applicant: **Excel Cell Electronic Co., Ltd.,**
Taichung (TW)
- (72) Inventor: **Chih-Ming Lin,** Taichung (TW)
- (73) Assignee: **Excel Cell Electronic Co., Ltd.,**
Taichung (TW)

D603,804	S	*	11/2009	Urano	D13/154
D621,368	S	*	8/2010	Lee	D13/154
D725,046	S	*	3/2015	Kuo	D13/154
D733,063	S	*	6/2015	Ito	D13/149
D762,587	S	*	8/2016	Ebisawa	D13/154
D813,817	S	*	3/2018	Kataoka	D13/133
2006/0035538	A1	*	2/2006	Suemitsu	H01R 13/113 439/852
2016/0072203	A1	*	3/2016	Il	H01R 13/113 439/816

- (**) Term: **15 Years**
- (21) Appl. No.: **29/561,713**
- (22) Filed: **Apr. 19, 2016**

* cited by examiner

Primary Examiner — Derrick E Holland
Assistant Examiner — Jennifer O King
 (74) *Attorney, Agent, or Firm* — DLA Piper LLP (US)

(30) **Foreign Application Priority Data**

Jan. 18, 2016 (TW) 105300209

(51) **LOC (11) Cl.** **13-02**

(52) **U.S. Cl.**
USPC **D13/120**

(58) **Field of Classification Search**
 USPC D13/119, 120, 133, 146, 149, 154, 199
 CPC H01R 12/57; H01R 12/714; H01R 11/24;
 H01R 11/281; H01R 11/286; H01R
 13/113

See application file for complete search history.

(56) **References Cited**

U.S. PATENT DOCUMENTS

4,708,416	A	*	11/1987	Awano	H01R 13/11 439/851
5,145,409	A	*	9/1992	Sato	H01R 9/0518 439/585
5,839,925	A	*	11/1998	Simmons	H01R 13/113 439/852
D474,743	S	*	5/2003	Cheng	D13/133

(57) **CLAIM**

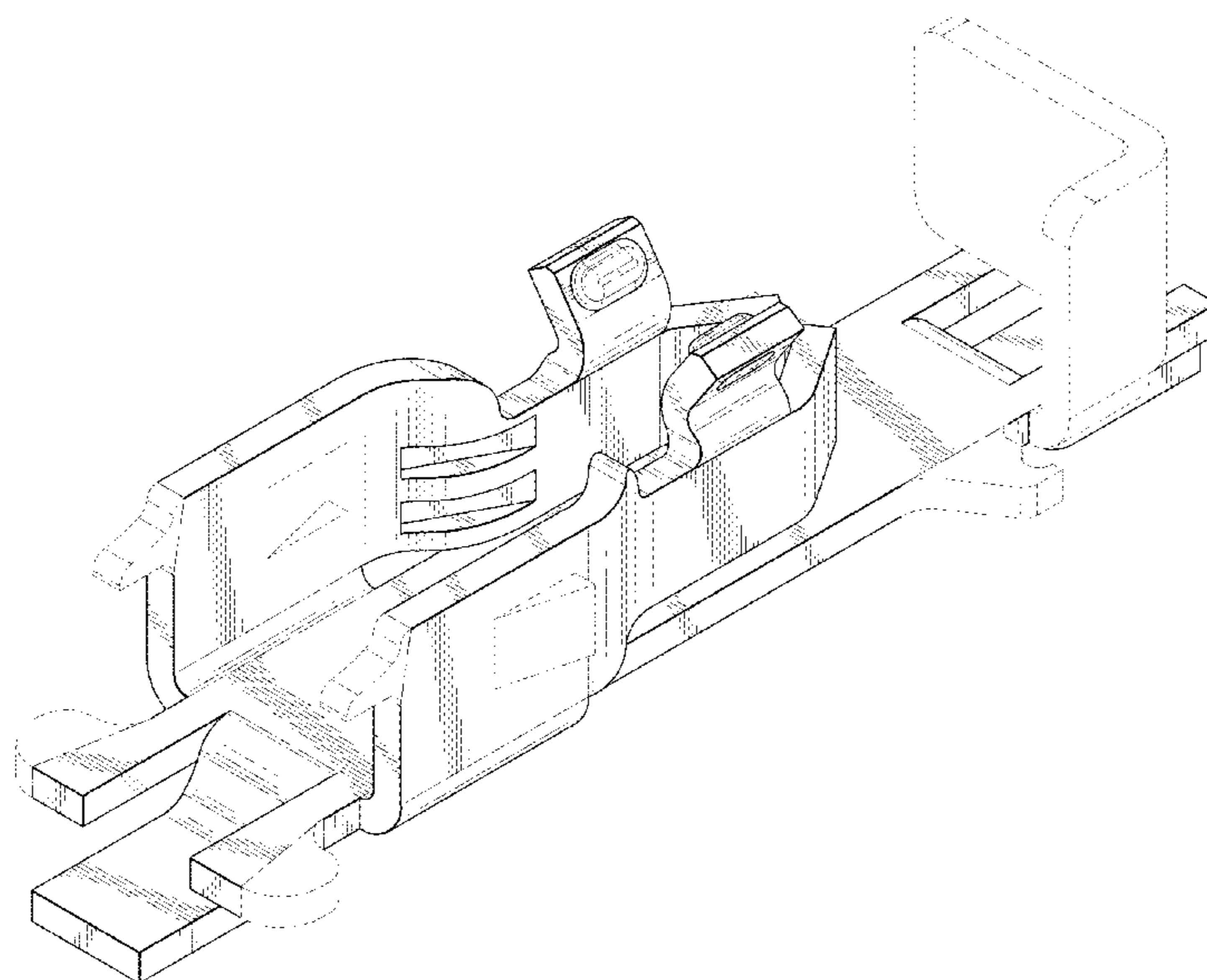
The ornamental design for a terminal seat, as shown and described.

DESCRIPTION

FIG. 1 is a perspective view of the terminal seat showing my new design;
 FIG. 2 is a front elevational view thereof;
 FIG. 3 is a rear elevational view thereof;
 FIG. 4 is a left side elevational view thereof;
 FIG. 5 is a right side elevational view thereof;
 FIG. 6 is a top plan view thereof;
 FIG. 7 is a bottom plan view thereof; and,
 FIGS. 8-9 are perspective views of the design in various states of use.

The dash-dash broken lines represent portions of the terminal seat that form no part of the claimed design. Where the dot-dash broken lines abut the shaded surface it is understood that those broken lines represent an unclaimed boundary between claimed and unclaimed surfaces. None of the broken lines form any part of the claimed design.

1 Claim, 9 Drawing Sheets



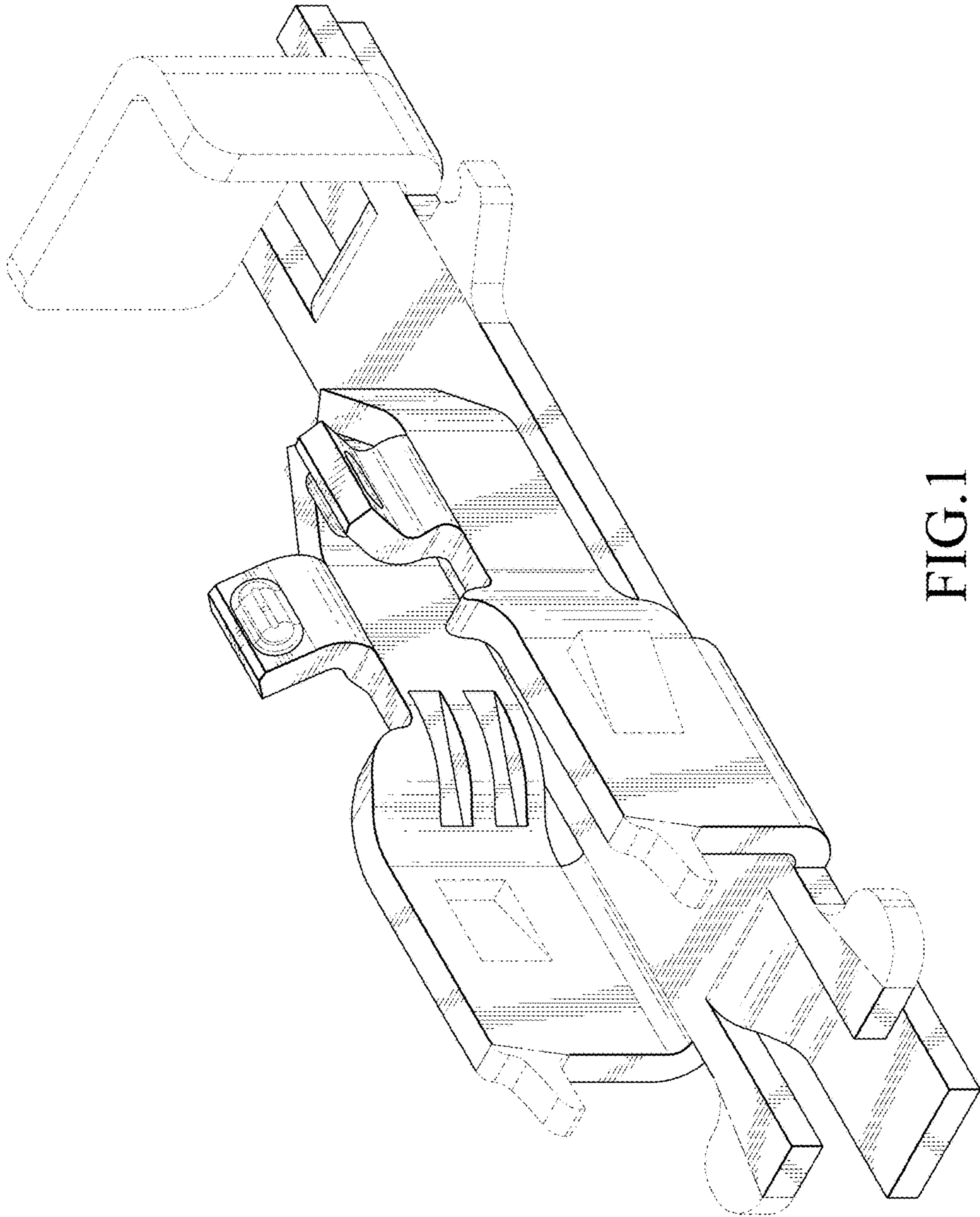


FIG. 1

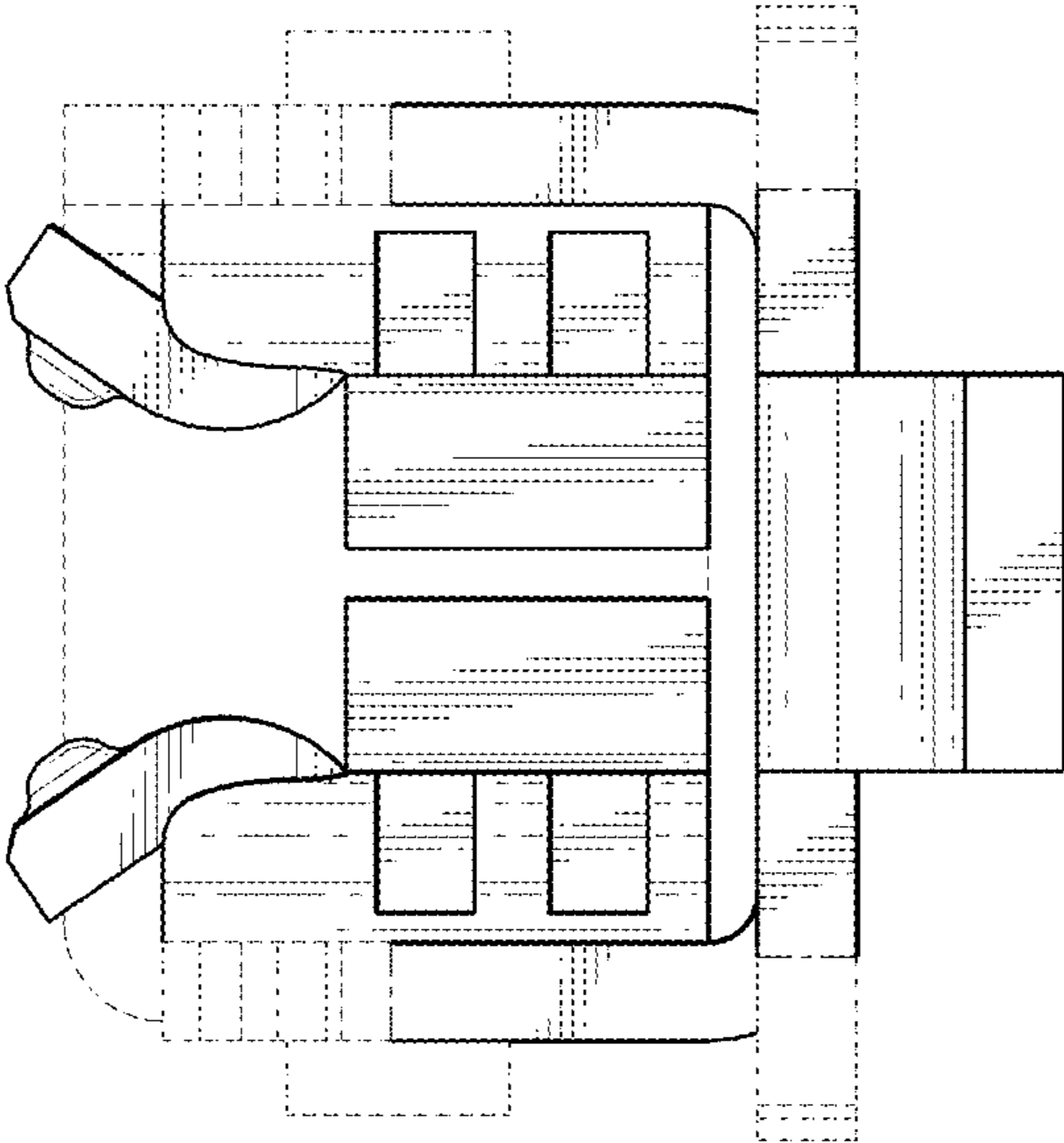


FIG.2

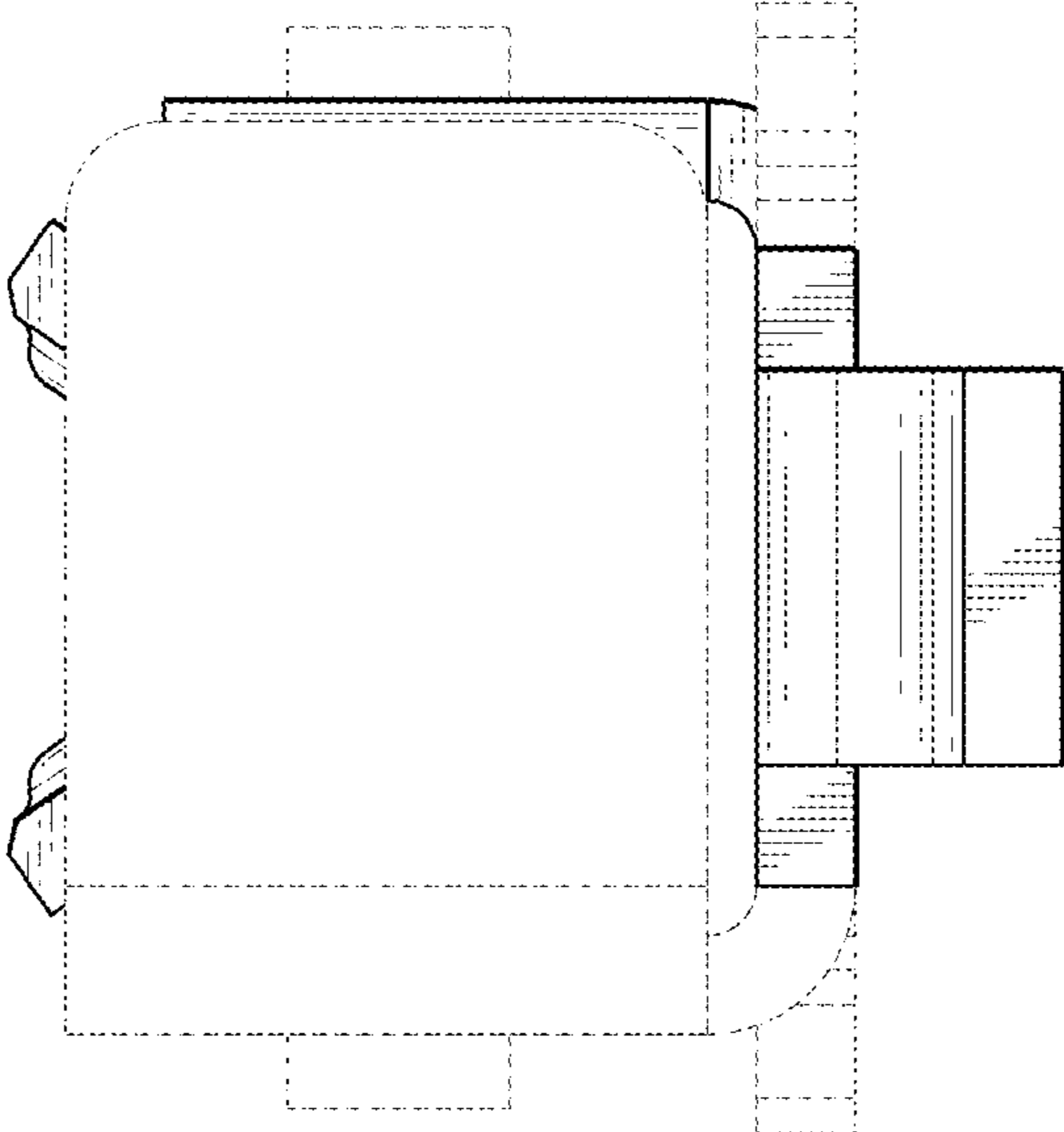


FIG.3

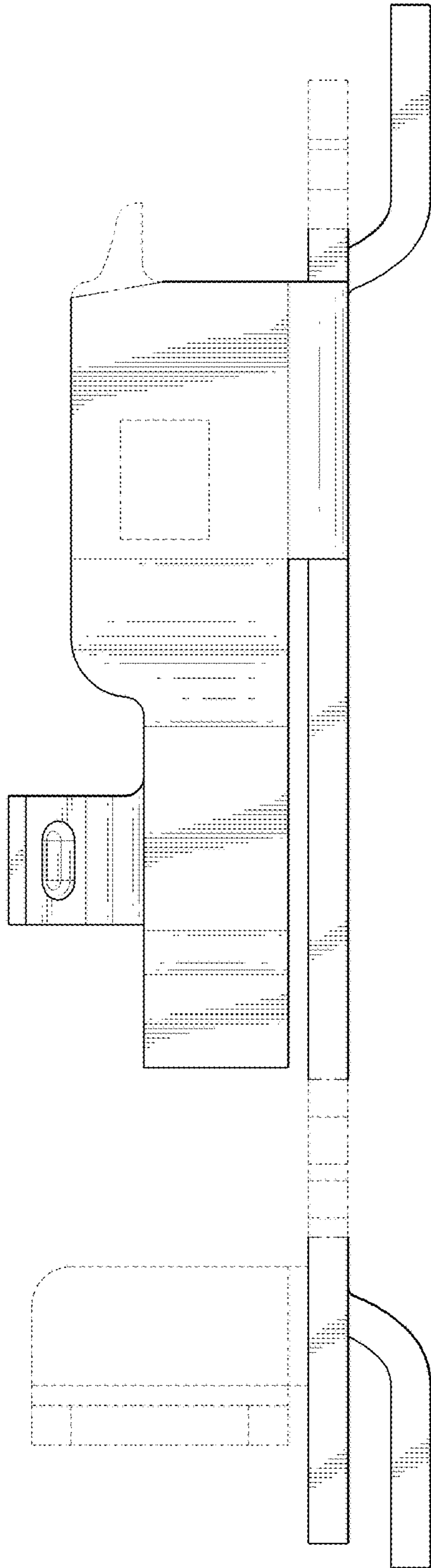


FIG. 4

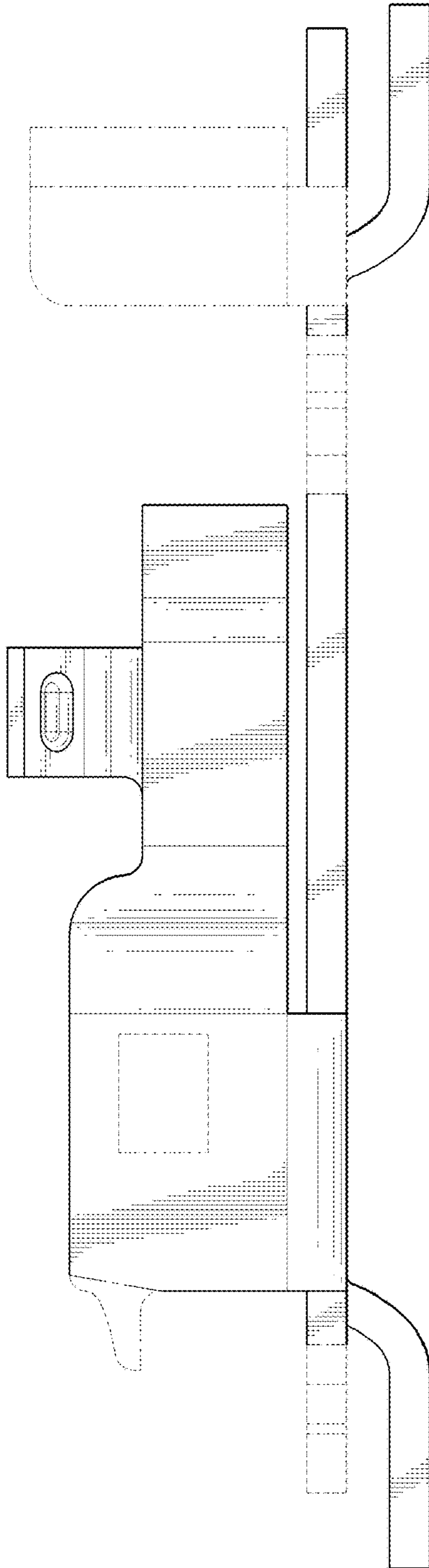


FIG. 5

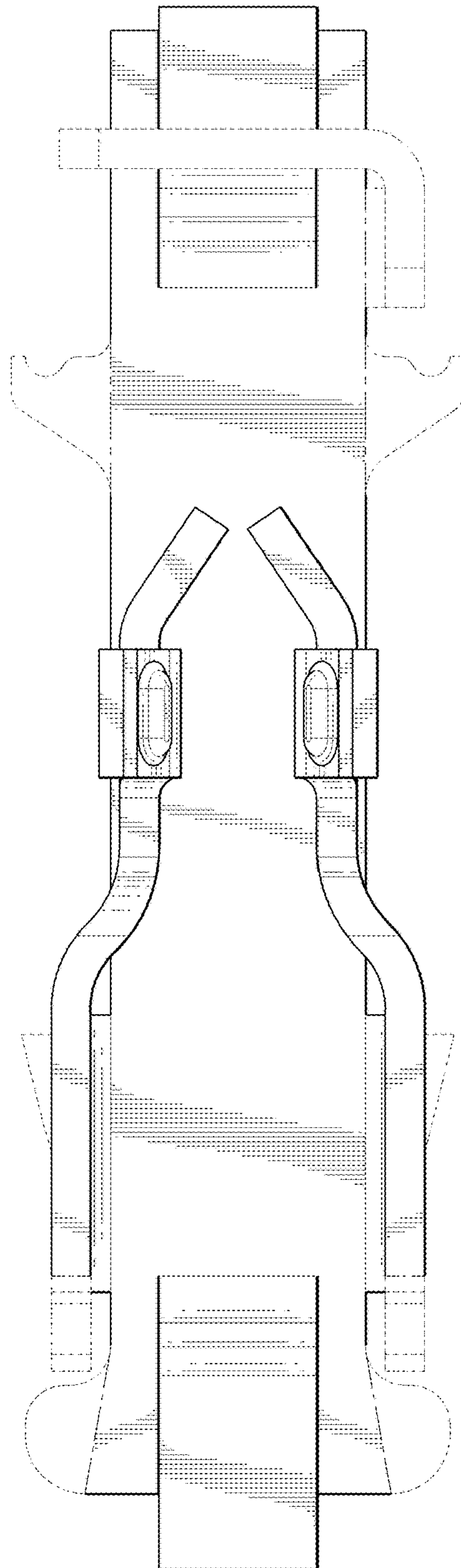


FIG.6

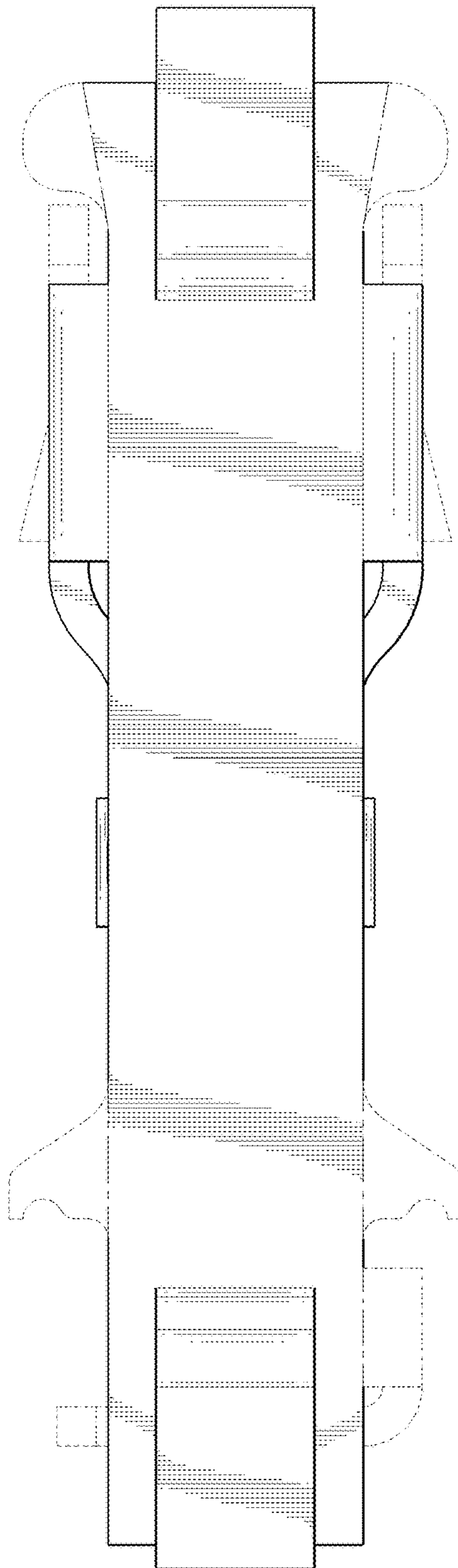


FIG.7

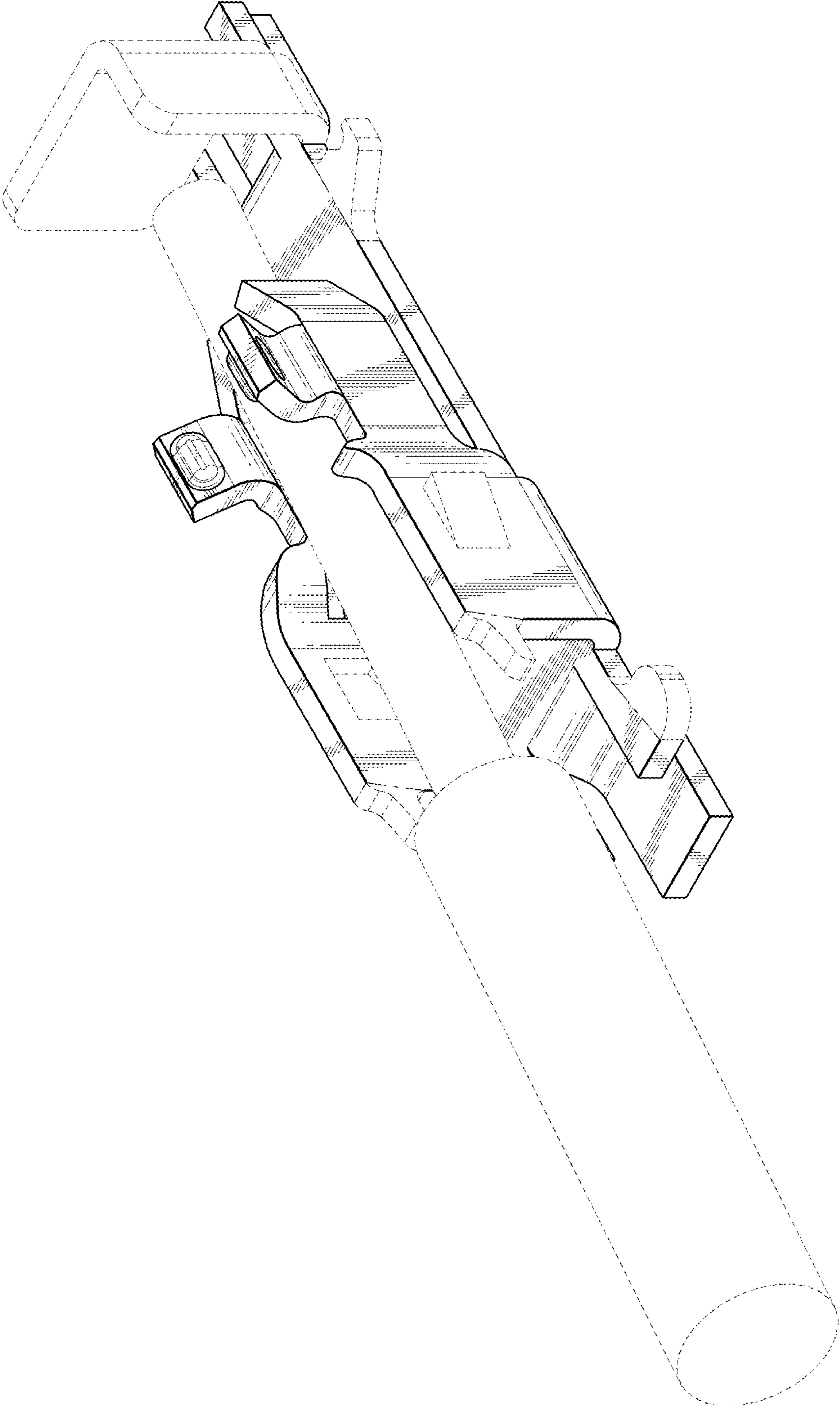


FIG. 8

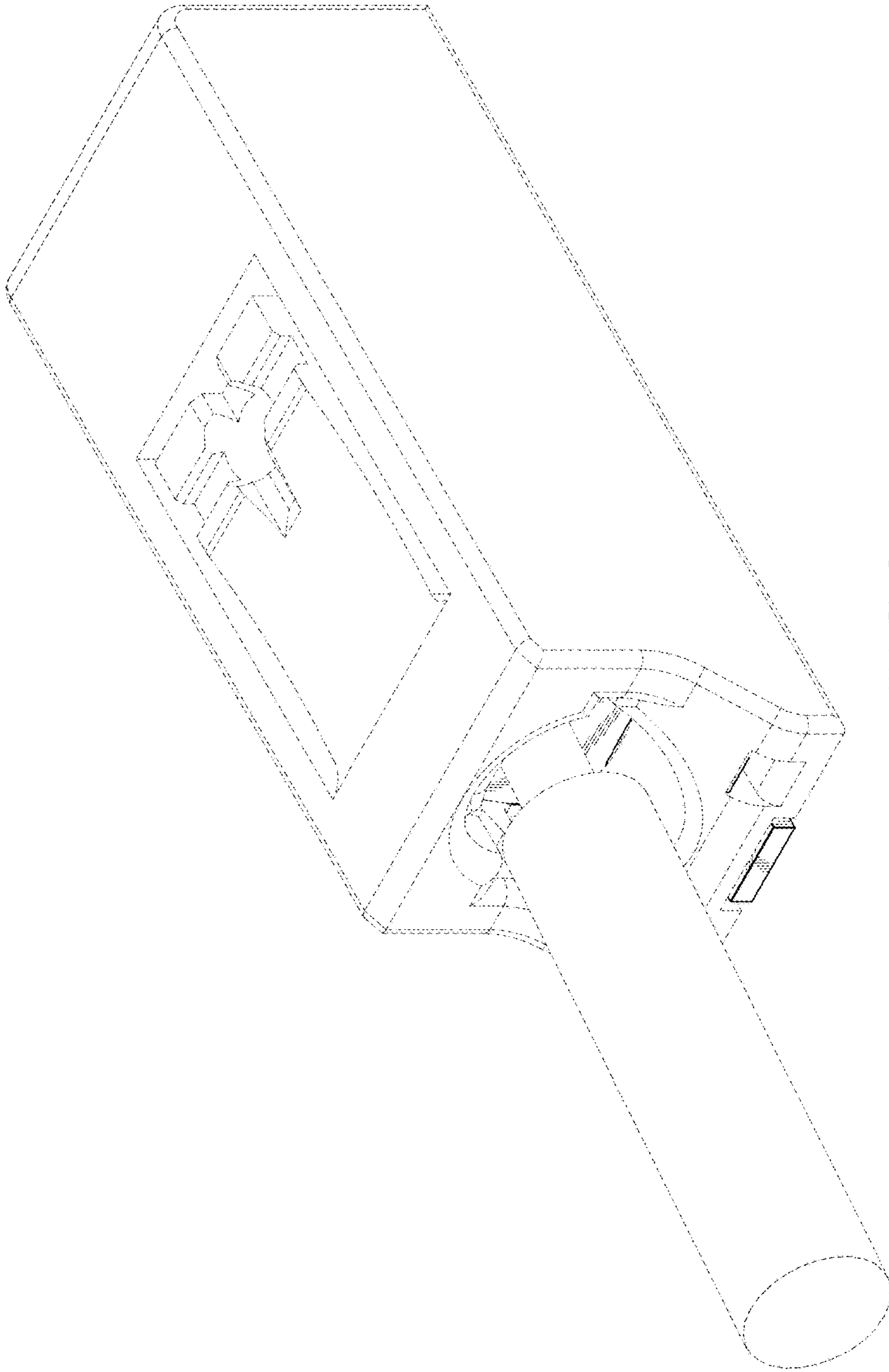


FIG. 9