



US00D845236S

(12) **United States Design Patent** (10) **Patent No.:** **US D845,236 S**
Grillenberger et al. (45) **Date of Patent:** **** Apr. 9, 2019**

(54) **ELECTROMOTOR** D314,550 S * 2/1991 Sieber D13/112
D336,890 S * 6/1993 Hirose D13/112
(71) Applicant: **Siemens Aktiengesellschaft**, München D576,941 S * 9/2008 Evon D13/112
(DE) 7,965,005 B2 * 6/2011 Schmidt H02K 5/06
310/71
(72) Inventors: **Reiner Grillenberger**, Windsbach D668,221 S * 10/2012 McKune D13/110
(DE); **Eric Joseph**, Nürnberg (DE); D722,561 S * 2/2015 Grillenberger D13/122
Thomas Koch, Nürnberg (DE) D762,574 S * 8/2016 Grillenberger D13/112
D769,191 S * 10/2016 Vohlgemuth D13/114
D772,814 S * 11/2016 Rivault D13/114
(73) Assignee: **Siemens Aktiengesellschaft**, München D794,563 S * 8/2017 Matta D13/114
(DE) D801,925 S * 11/2017 Andersson D13/112
D806,030 S * 12/2017 Pfefferkorn D13/112
2015/0181735 A1 * 6/2015 Wilson F02B 63/044
290/1 A

(**) Term: **15 Years**

(21) Appl. No.: **29/568,763**

(22) Filed: **Jun. 21, 2016**

Related U.S. Application Data

(62) Division of application No. 29/466,897, filed on Sep. 12, 2013, now Pat. No. Des. 762,574.

(30) **Foreign Application Priority Data**

Mar. 12, 2013 (EM) 001363949

(51) **LOC (11) Cl.** **13-01**

(52) **U.S. Cl.**

USPC **D13/112**

(58) **Field of Classification Search**

USPC 123/2, 3; 290/1 A, 1 B, 1 R; 310/89;
322/100; 361/730, 836; D13/101,
D13/110–116, 118, 122, 184, 199;
D23/111, 351, 395

CPC F02B 63/04

See application file for complete search history.

(56) **References Cited**

U.S. PATENT DOCUMENTS

D186,594 S * 11/1959 Forsty D13/114
D191,982 S * 12/1961 Eisenhart D13/114

* cited by examiner

Primary Examiner — Derrick E Holland

Assistant Examiner — Jennifer O King

(74) *Attorney, Agent, or Firm* — Henry M. Feiereisen
LLC

(57) **CLAIM**

The ornamental design for an electromotor, as shown and described.

DESCRIPTION

FIG. 1 is a front elevational view of an electromotor showing my new design;
FIG. 2 is a rear elevational view thereof;
FIG. 3 is a top view thereof;
FIG. 4 is a bottom view thereof;
FIG. 5 is a right side elevational view thereof;
FIG. 6 is a left side elevational view thereof; and,
FIG. 7 is a front right side perspective view thereof.
The broken lines shown represent portions of the electromotor that form no part of the claimed design.

1 Claim, 7 Drawing Sheets

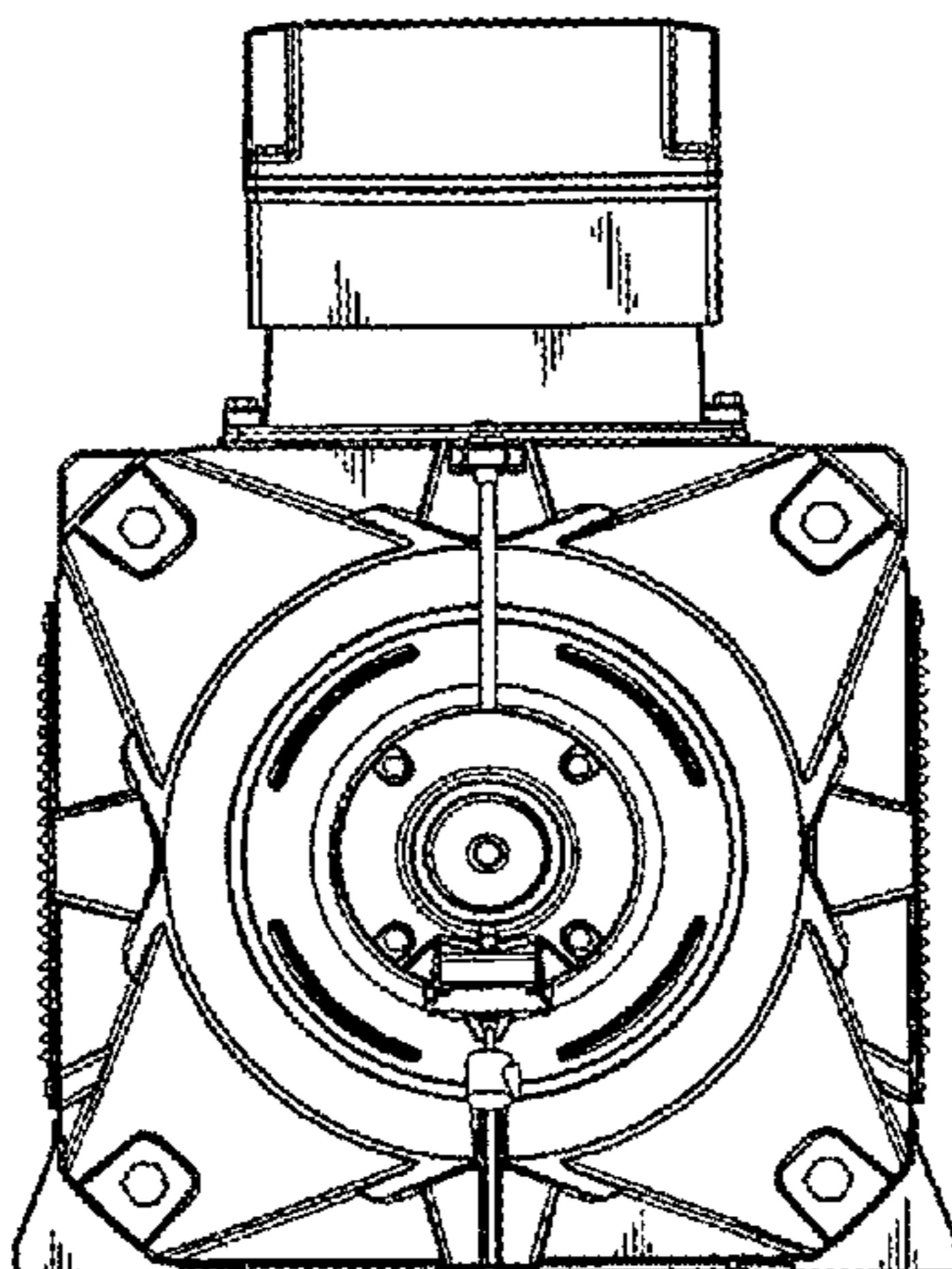


FIG. 1

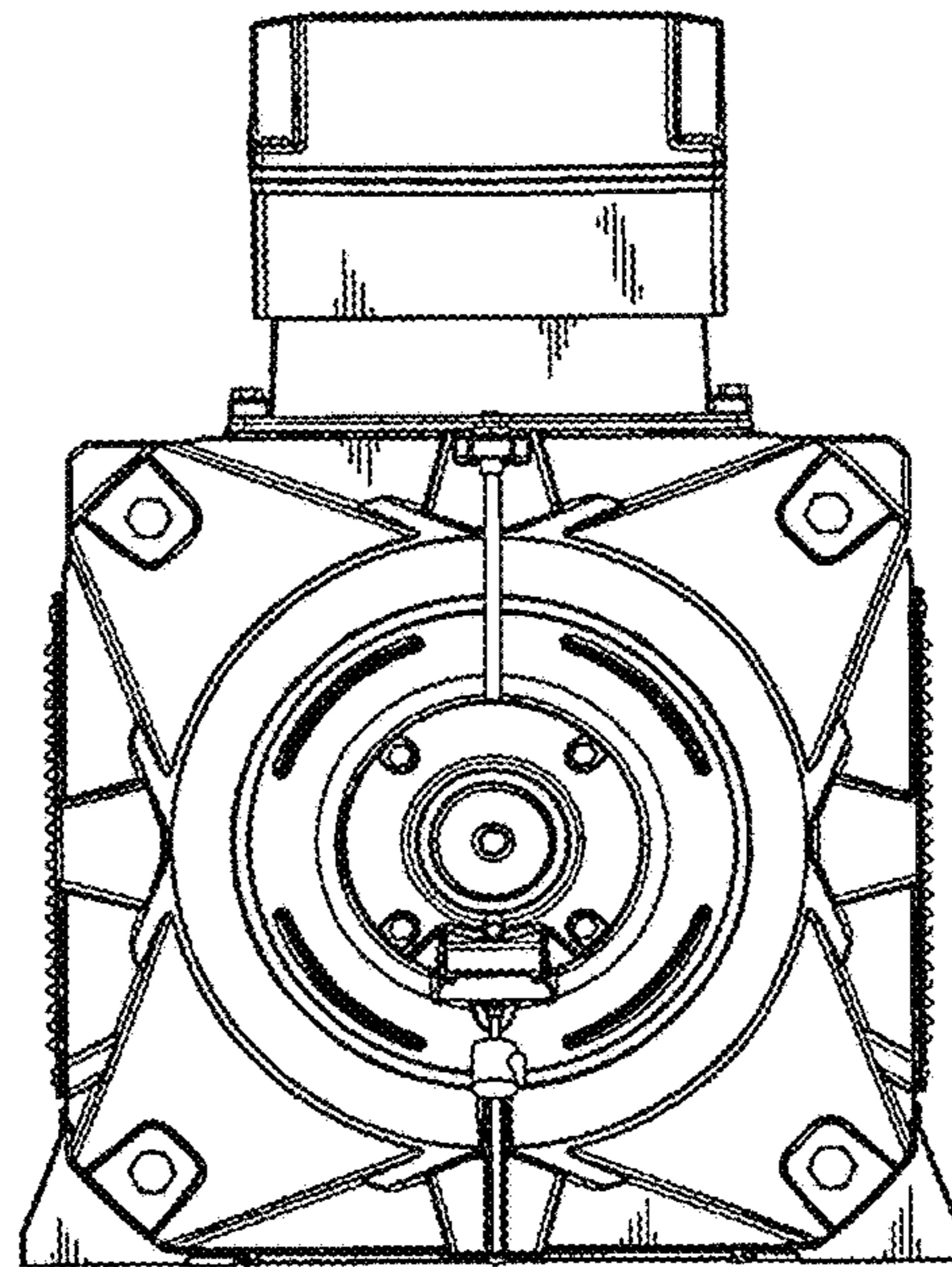


FIG. 2

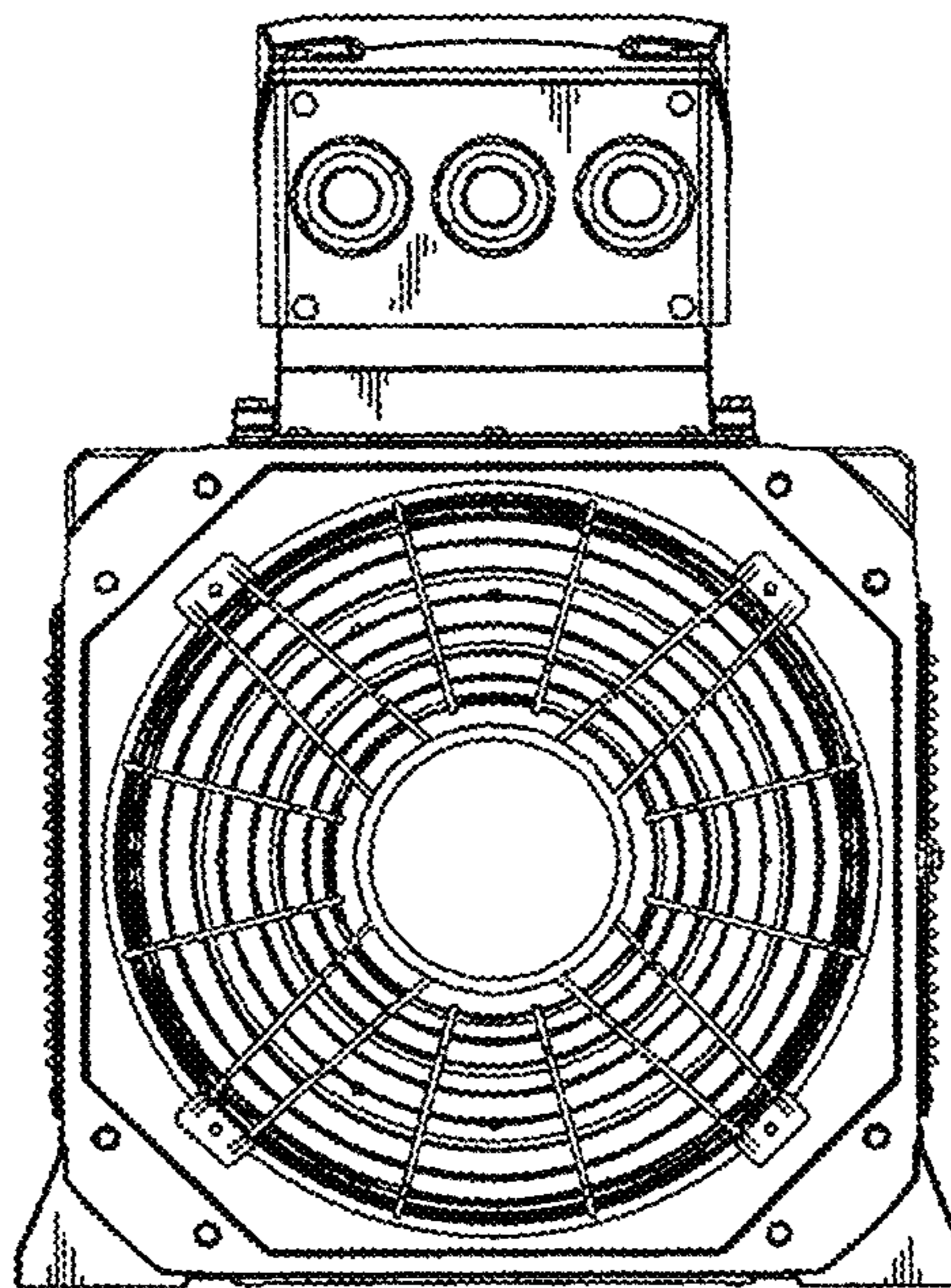


FIG. 3

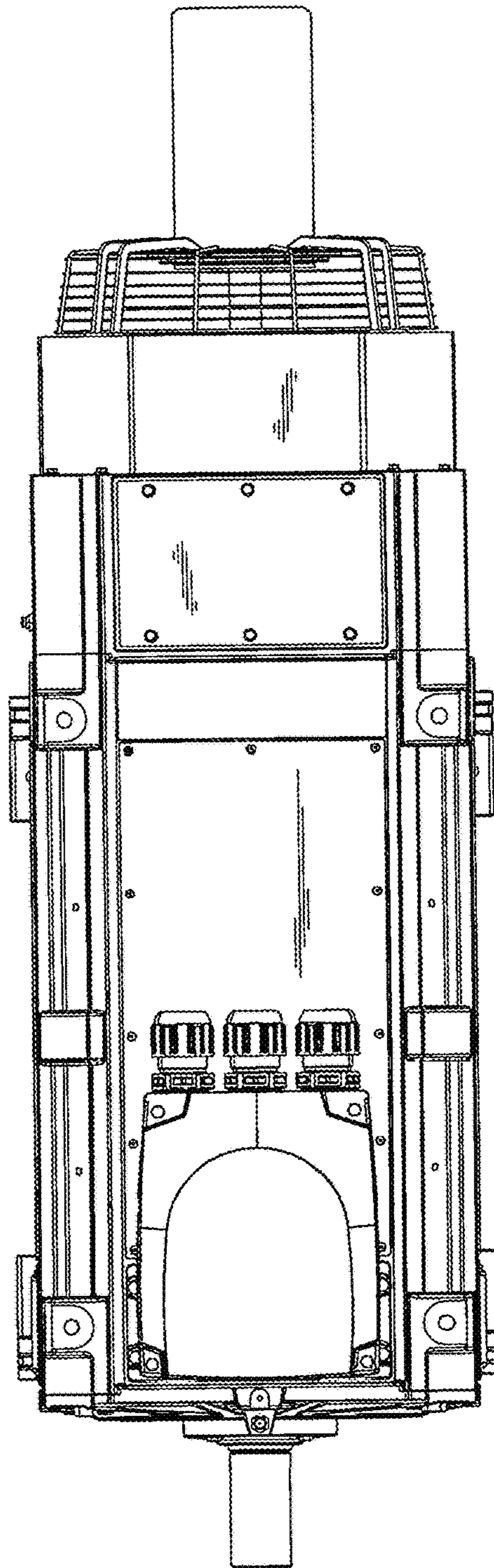


FIG.4

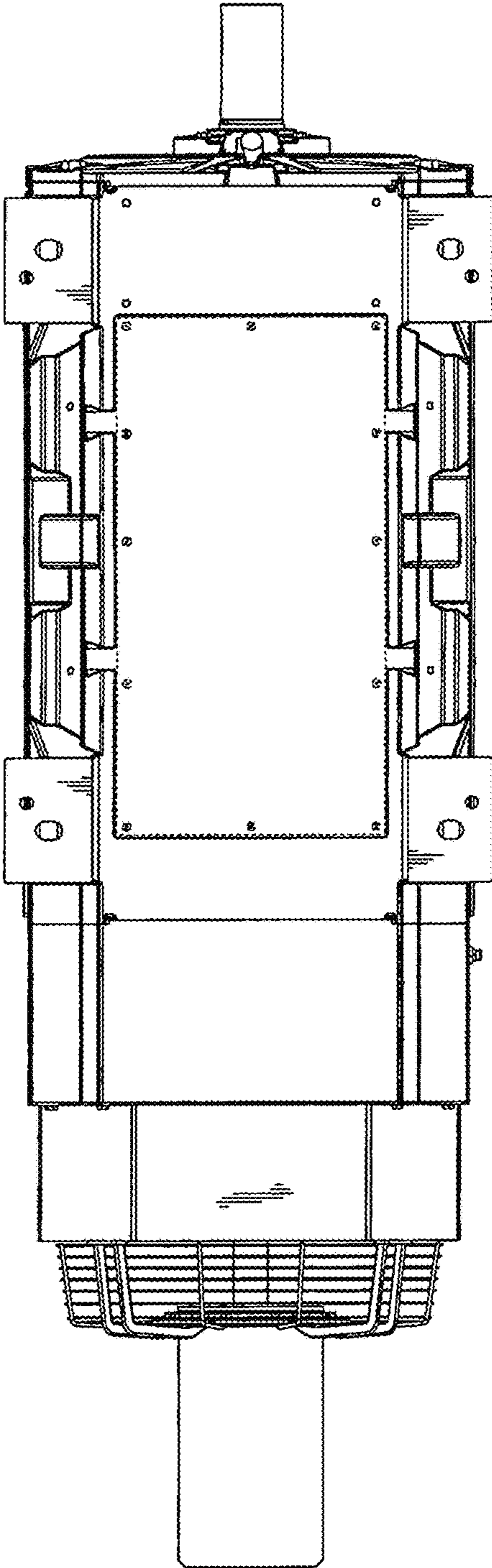


FIG. 5

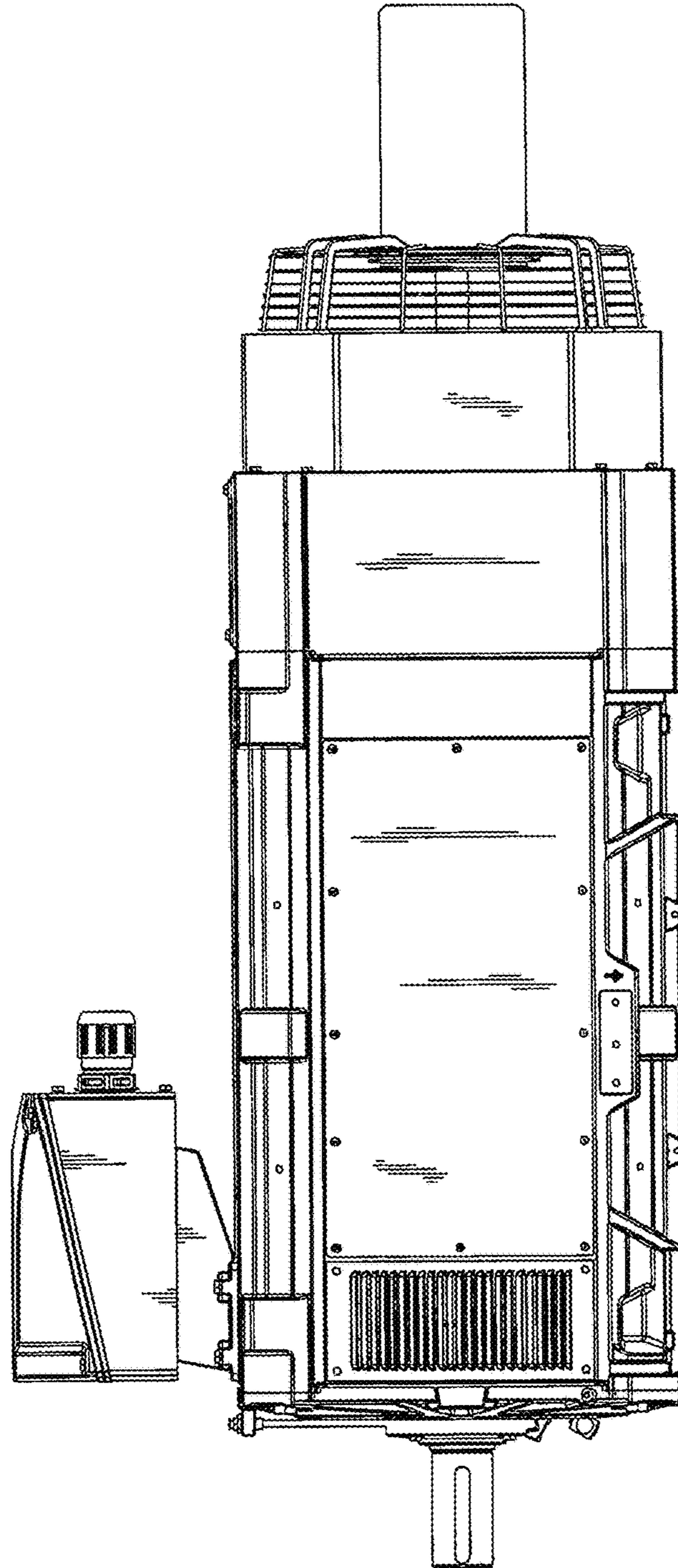


FIG.6

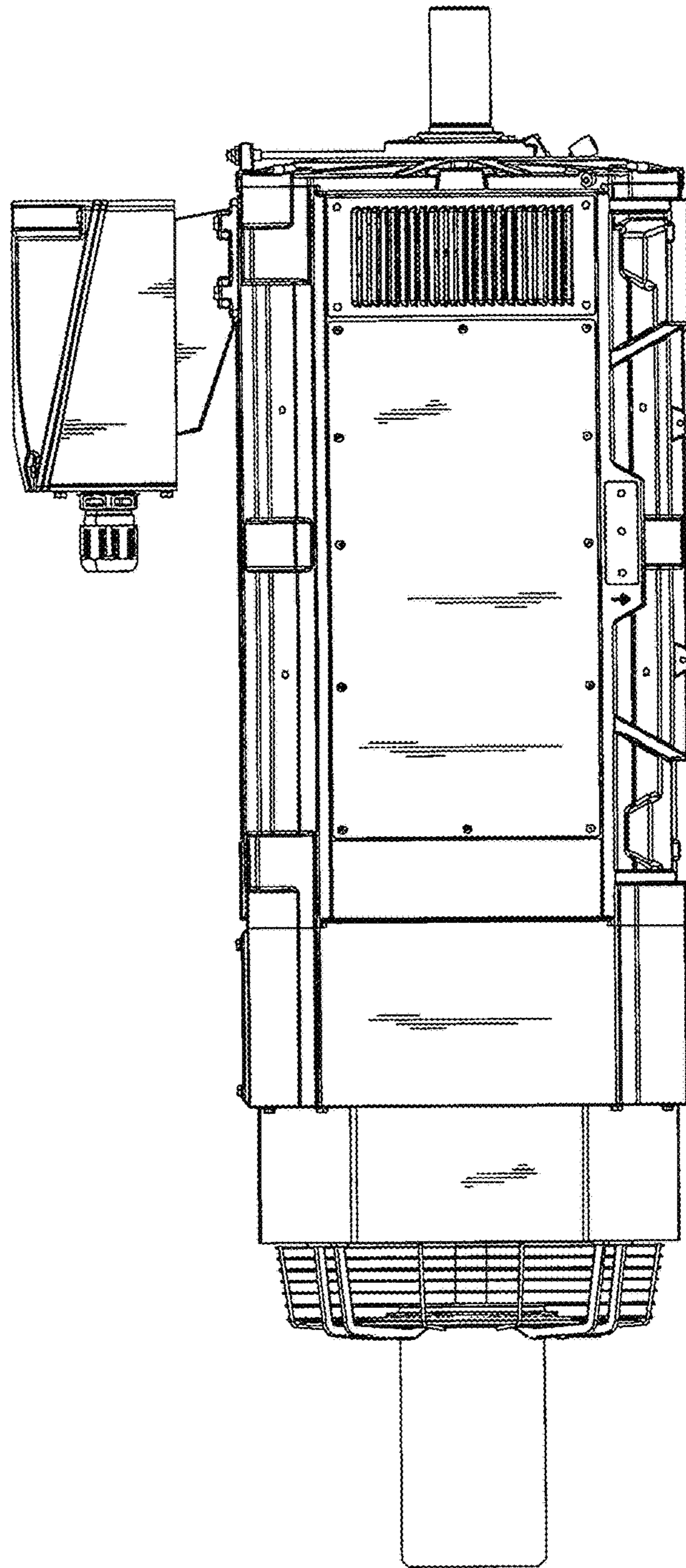


FIG.7

