



US00D845235S

(12) **United States Design Patent**  
**Yang**

(10) **Patent No.:** **US D845,235 S**

(45) **Date of Patent:** **\*\* Apr. 9, 2019**

(54) **CHARGER**

(71) Applicant: **CHUWI INNOVATION AND TECHNOLOGY (SHENZHEN) CO., LTD.**, Shenzhen, Guangdong (CN)

(72) Inventor: **Lihua Yang**, Guangdong (CN)

(73) Assignee: **CHUWI INNOVATION AND TECHNOLOGY (SHENZHEN) CO., LTD.**, Shenzhen (CN)

(\*\*) Term: **15 Years**

(21) Appl. No.: **29/634,194**

(22) Filed: **Jan. 18, 2018**

(30) **Foreign Application Priority Data**

Oct. 25, 2017 (CN) ..... 2017 3 0510600

(51) **LOC (11) Cl.** ..... **13-02**

(52) **U.S. Cl.**  
USPC ..... **D13/108**

(58) **Field of Classification Search**  
USPC ..... D13/107-110, 118-119, 184; D14/251, D14/253, 432, 434  
CPC ..... Y02E 60/12; Y02T 90/14; Y02T 90/122; Y02T 90/128; Y02T 90/163; H02J 7/025; H02J 7/0042; H02J 7/0044; H02J 7/0045; H02J 7/0003; H01M 2/1022; H01M 2/1055; H01M 10/44; H01M 10/46; H01M 10/425; B60L 11/182; H01F 38/14; H01R 13/6675

See application file for complete search history.

(56) **References Cited**

**U.S. PATENT DOCUMENTS**

D492,267 S \* 6/2004 Kawajiri ..... D13/184  
D628,153 S \* 11/2010 Fujii ..... D13/108

D656,093 S \* 3/2012 Nomi ..... D13/107  
D704,135 S \* 5/2014 Stewart ..... D13/108  
D715,734 S \* 10/2014 Levy ..... D13/110  
D719,093 S \* 12/2014 Levy ..... D13/108  
D738,822 S \* 9/2015 Stewart ..... D13/108  
D744,947 S \* 12/2015 Rabalais ..... D13/108  
9,312,707 B2 \* 4/2016 Stewart ..... H02J 7/0042  
D756,916 S \* 5/2016 Yang ..... D13/108  
D765,073 S \* 8/2016 Niizawa ..... D14/356

(Continued)

*Primary Examiner* — Rosemary K Tarcza  
*Assistant Examiner* — Nathaniel D. Buckner

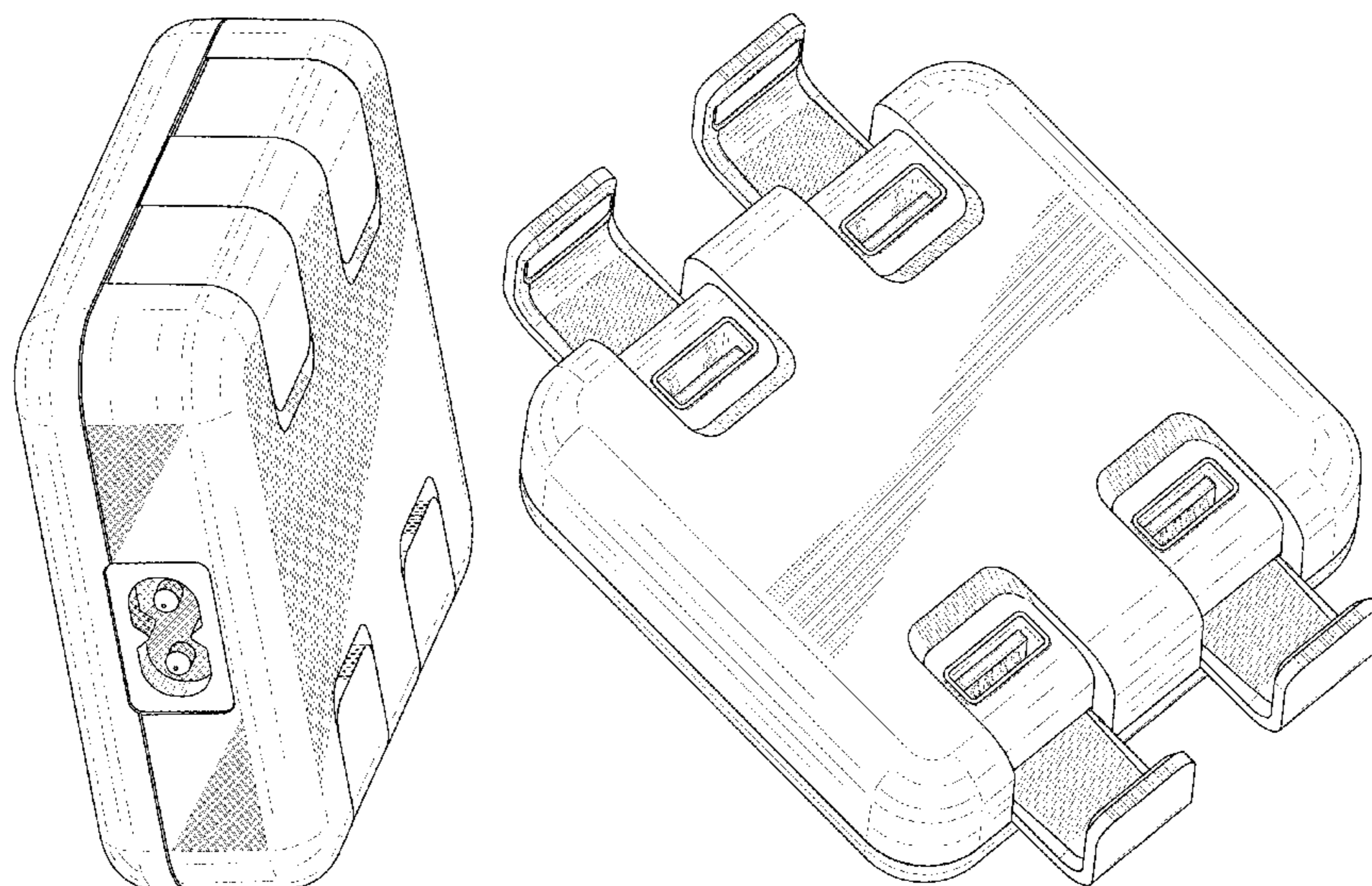
(57) **CLAIM**

The ornamental design for a charger, as shown and described.

**DESCRIPTION**

FIG. 1 is a front elevational view of a charger showing my new design;  
FIG. 2 is a rear elevational view thereof;  
FIG. 3 is a left side view thereof;  
FIG. 4 is a right side view thereof;  
FIG. 5 is a top plan view thereof;  
FIG. 6 is a bottom plan view thereof;  
FIG. 7 is a bottom, front and right side perspective view thereof;  
FIG. 8 is a top, rear and left side perspective view thereof;  
FIG. 9 is a bottom, front and left side perspective view showing the charger in an alternate position of use;  
FIG. 10 is a top, front and right side perspective view thereof;  
FIG. 11 is another top, front and right side perspective thereof;  
FIG. 12 is a bottom, rear and right side perspective thereof;  
and,  
FIG. 13 is a bottom, rear and left side perspective thereof.  
The broken lines shown in figures depict portions of the article which form no part of the claimed design.

**1 Claim, 13 Drawing Sheets**



(56)

**References Cited**

U.S. PATENT DOCUMENTS

D776,056 S \* 1/2017 Block ..... D13/137.2  
2008/0090622 A1 \* 4/2008 Kim ..... H02J 7/0044  
455/573

\* cited by examiner

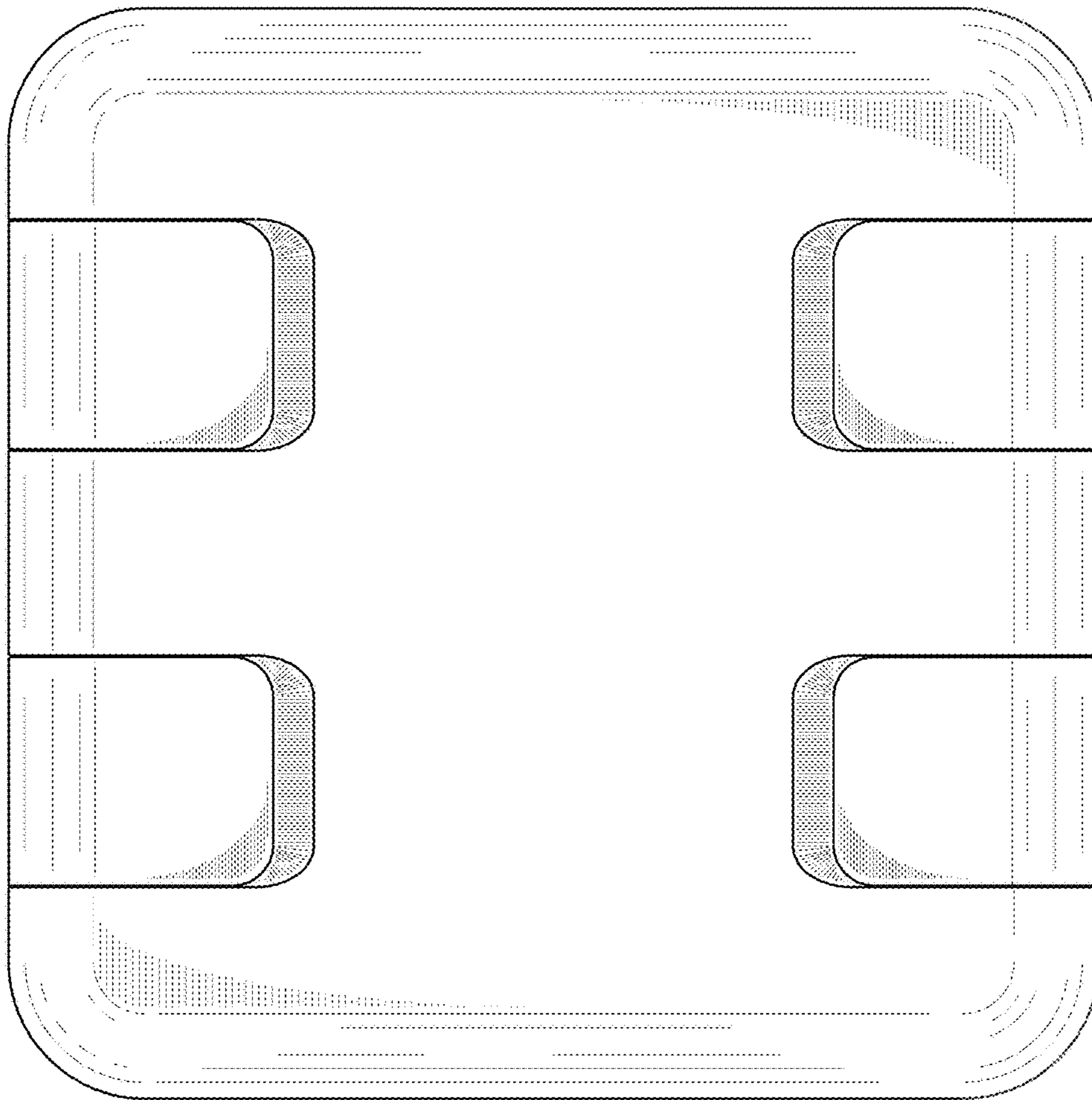


Fig. 1

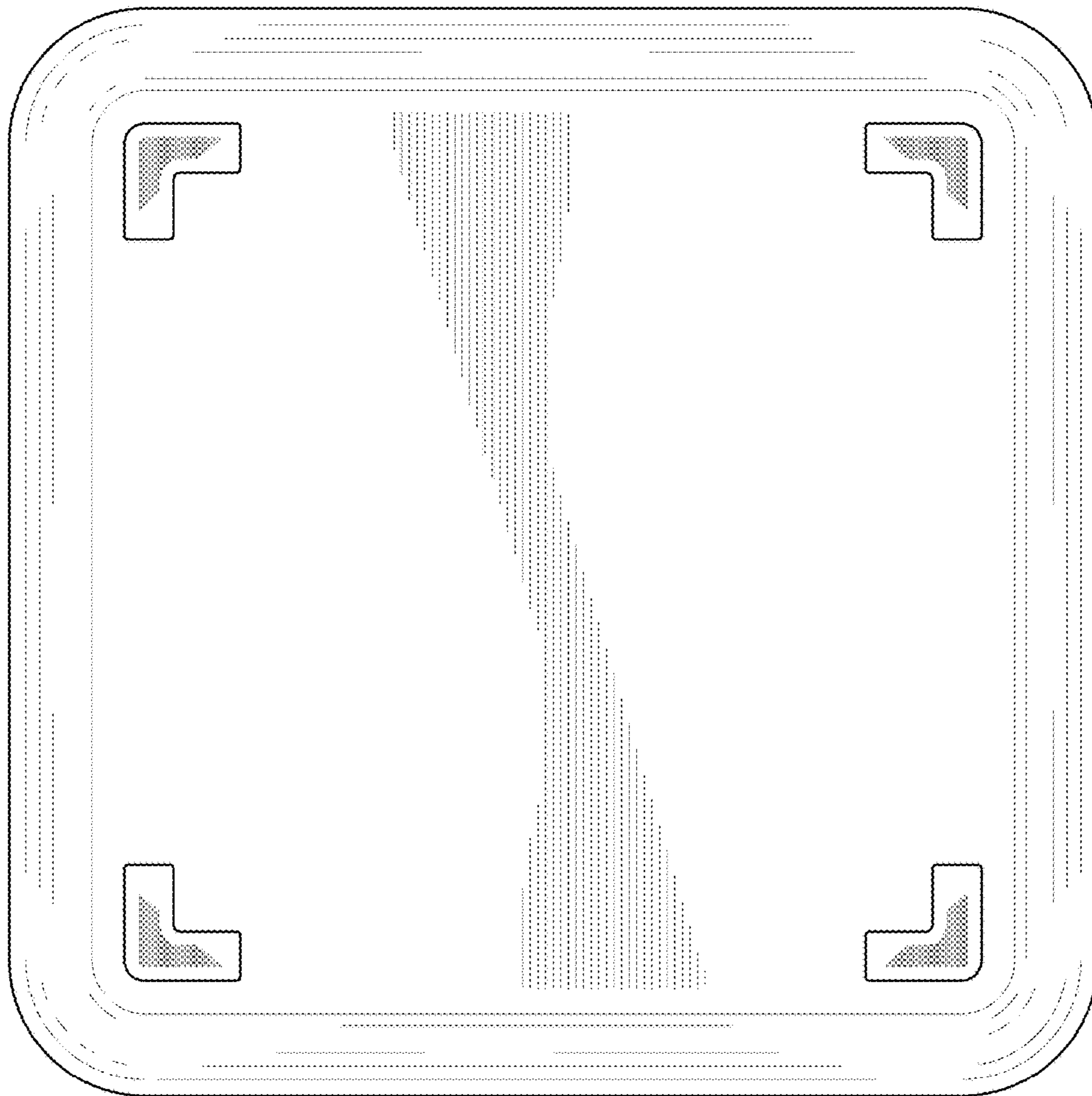


Fig. 2

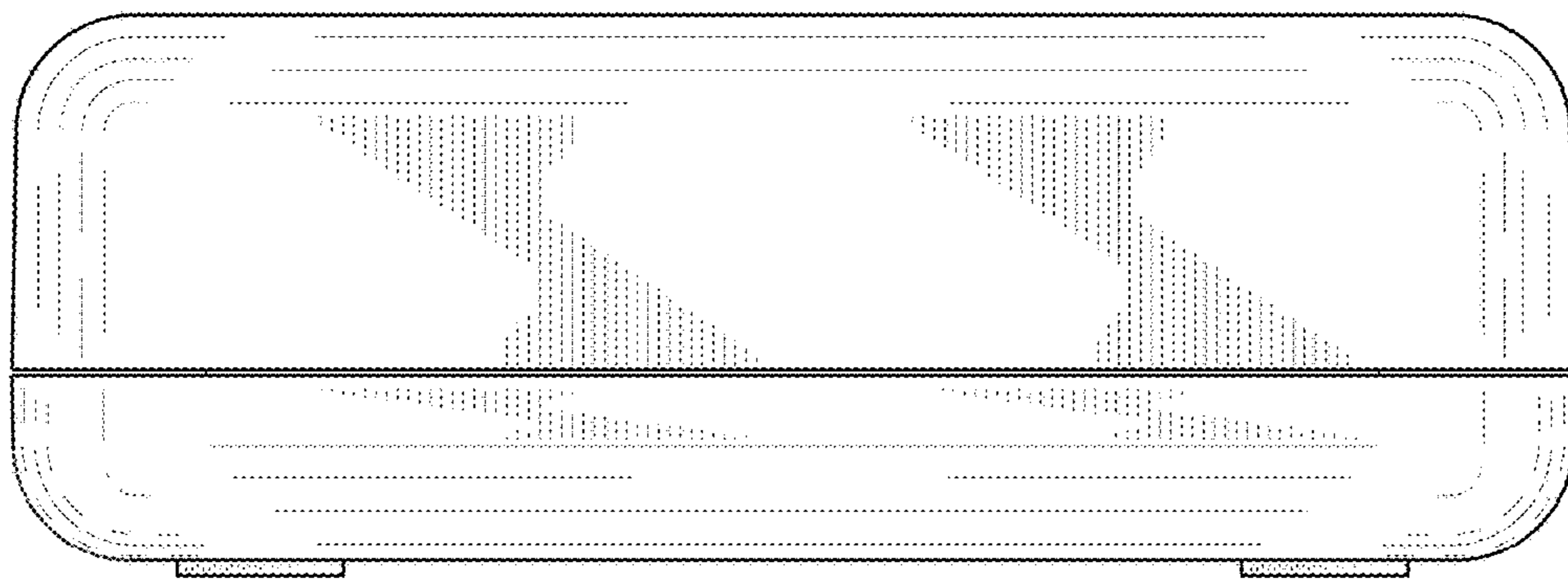


Fig. 3

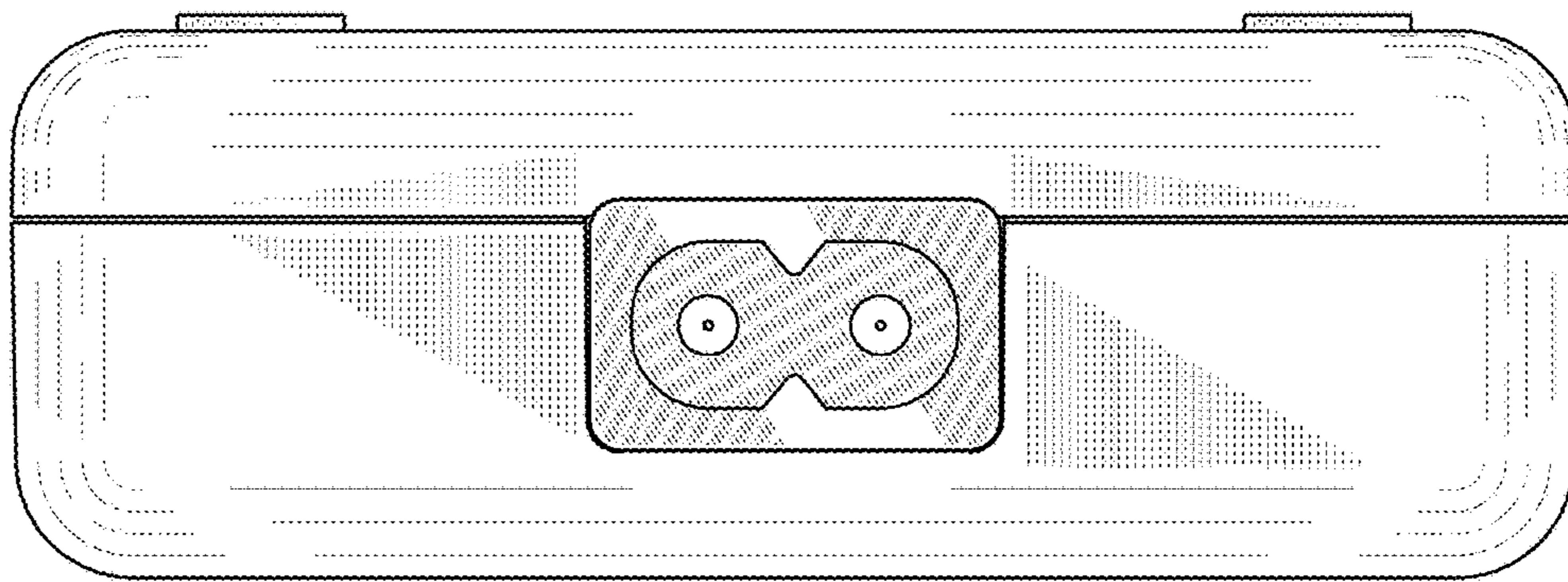


Fig. 4

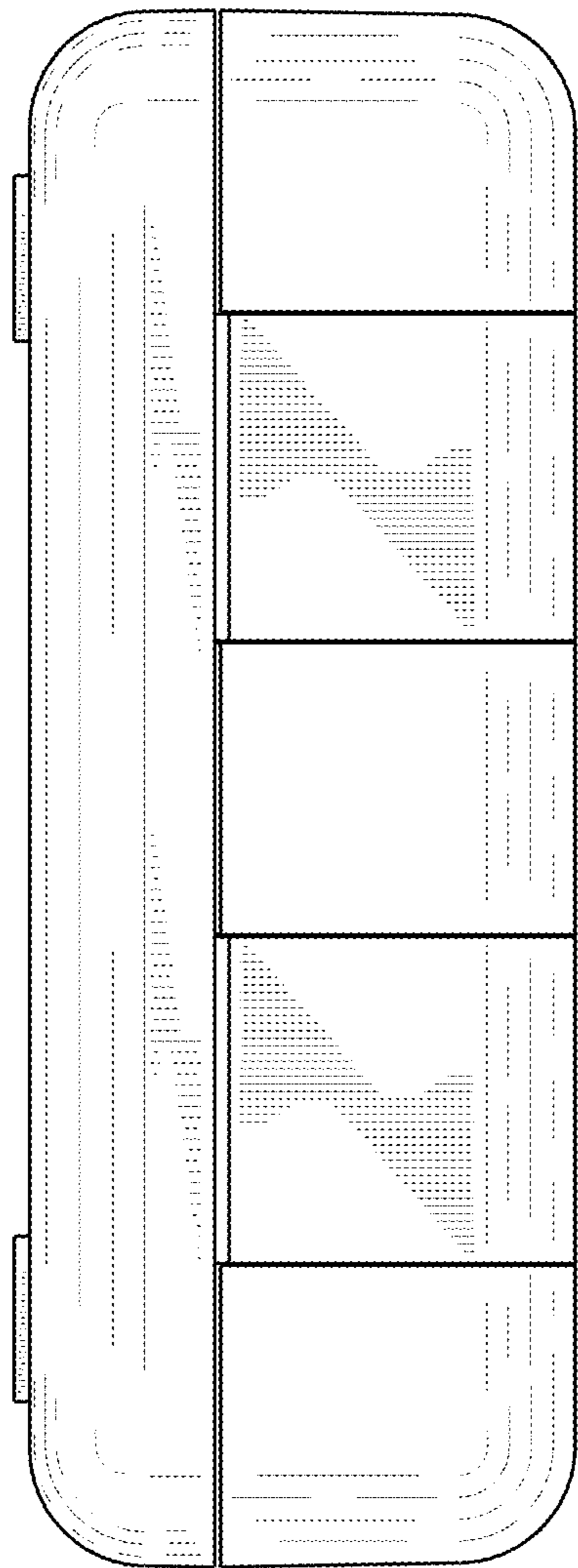


Fig. 5

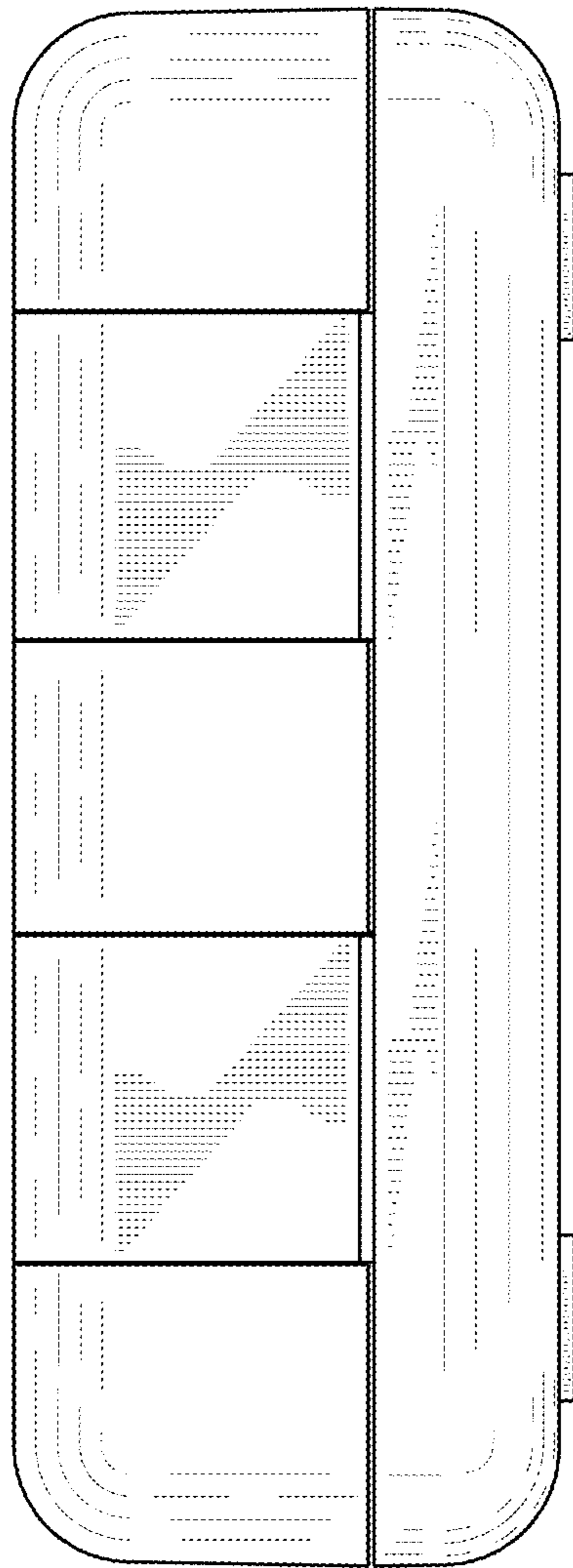


Fig. 6



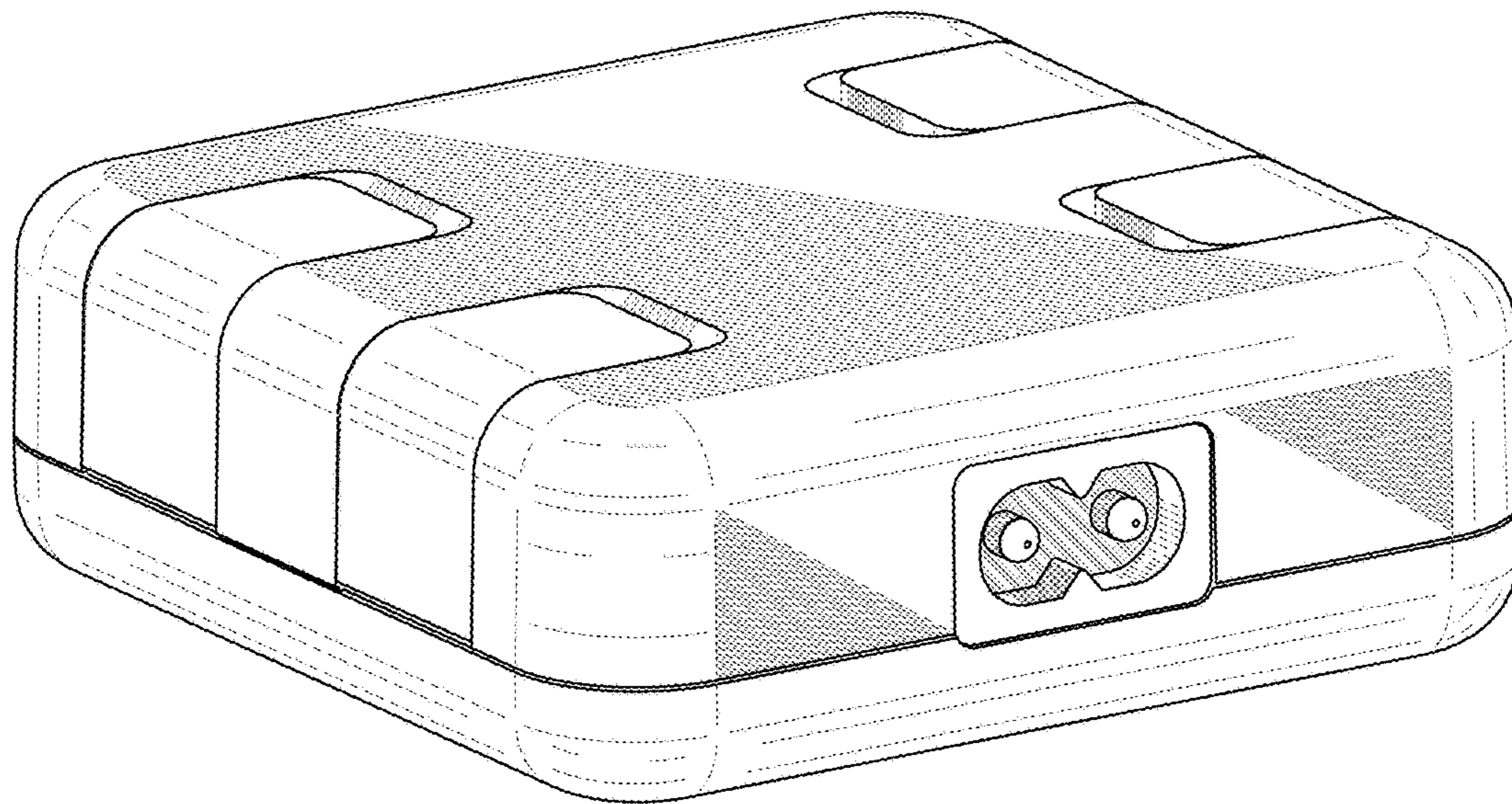


Fig. 7

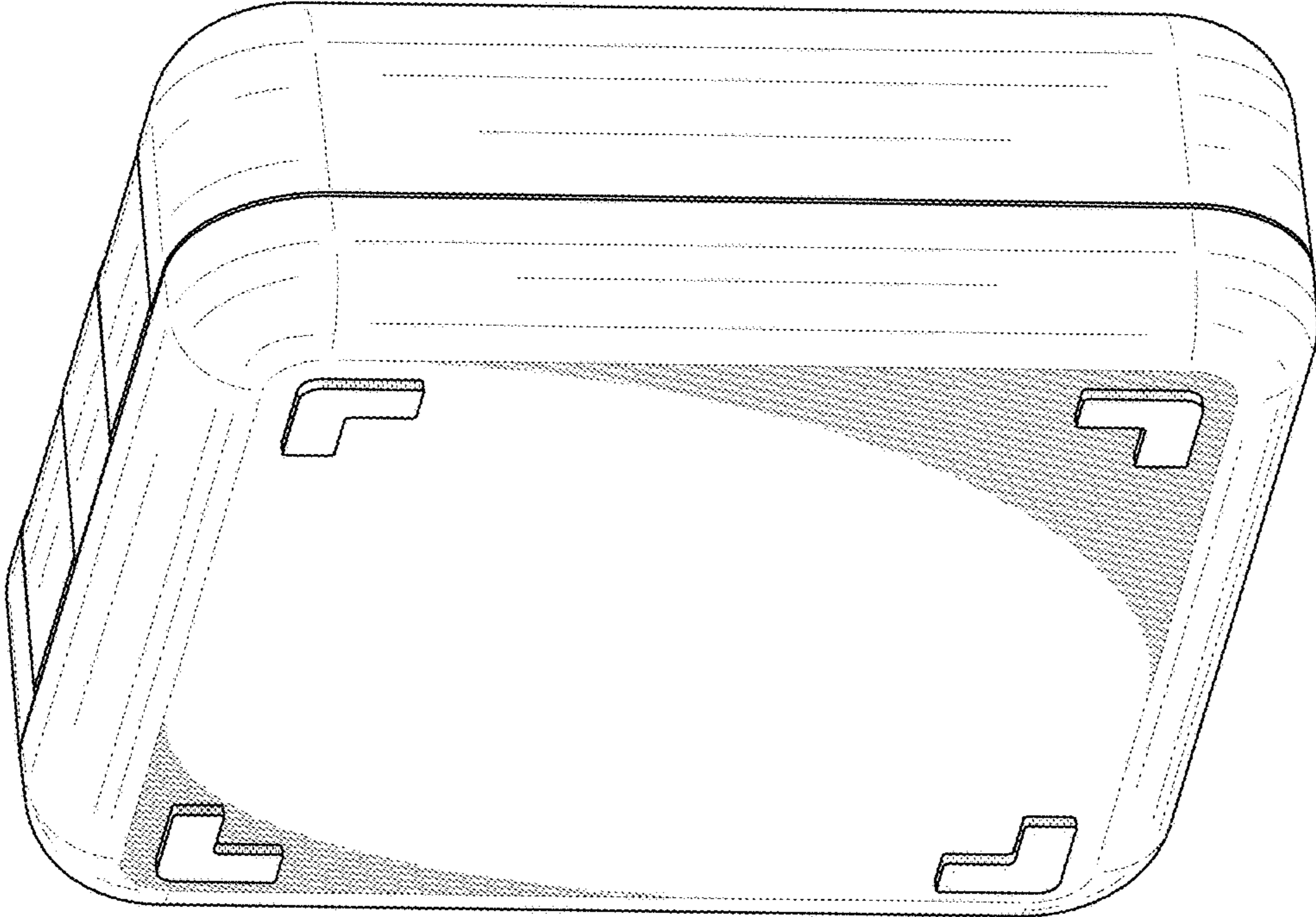


Fig. 8

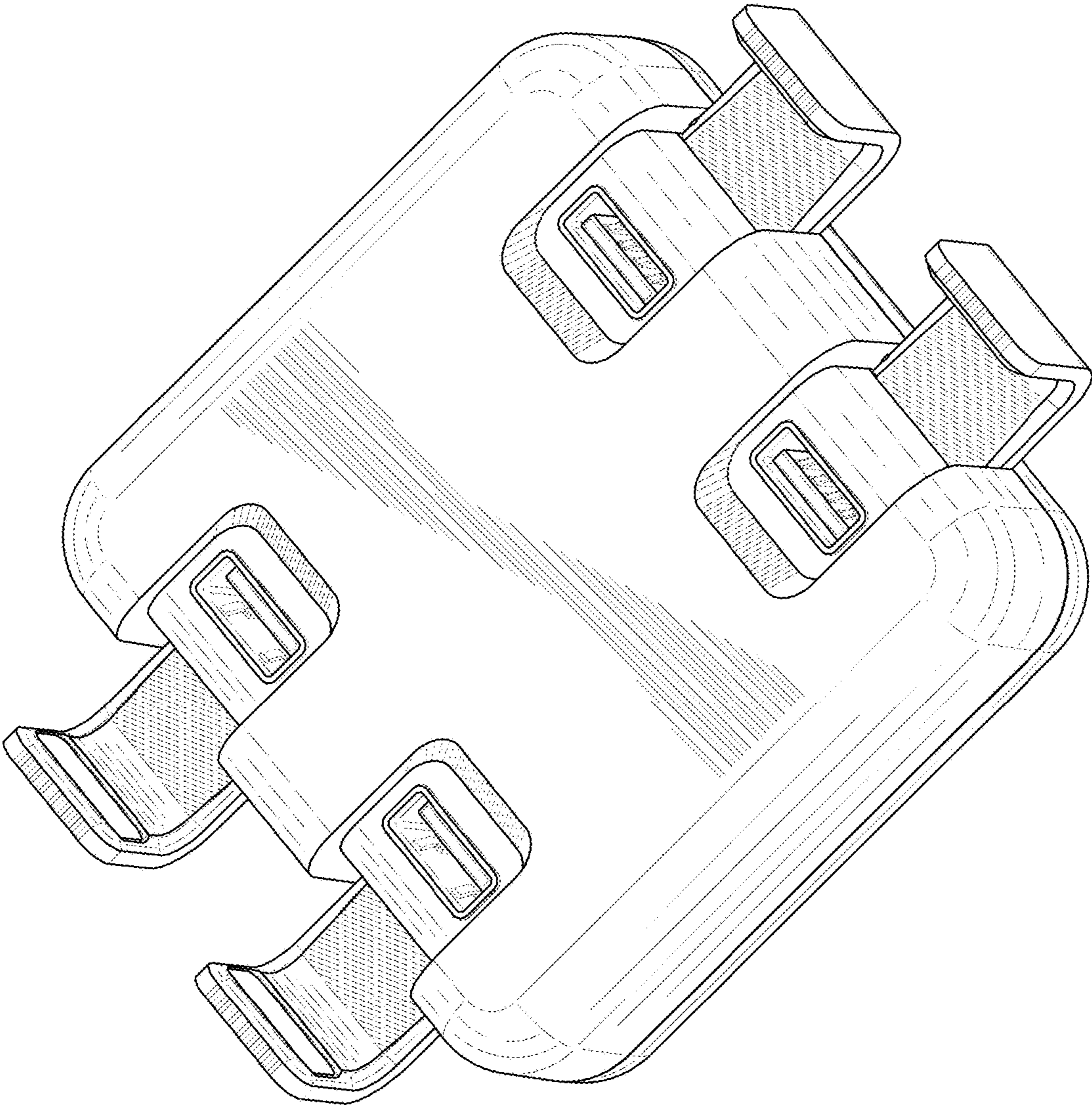


Fig. 9

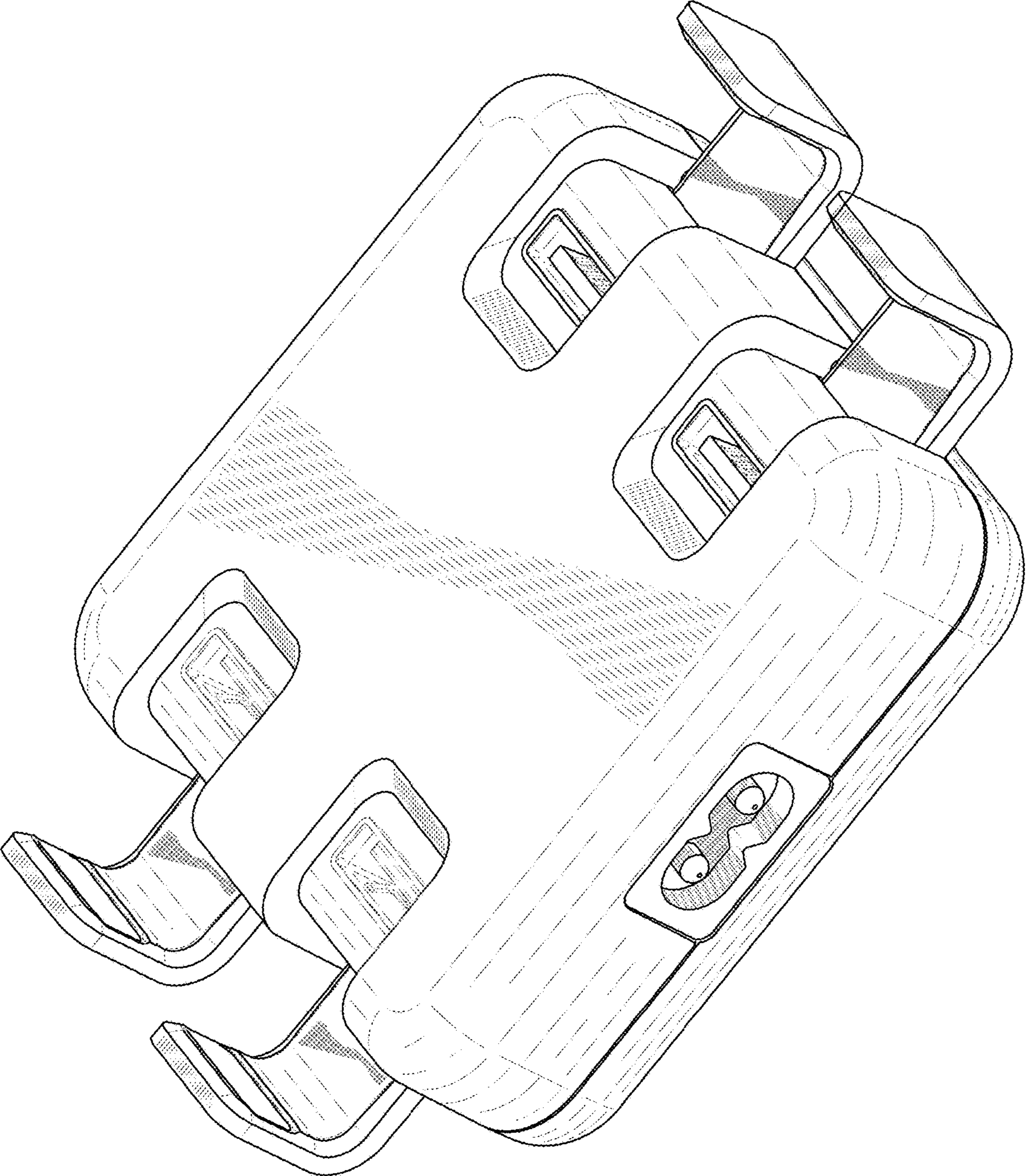


Fig. 10

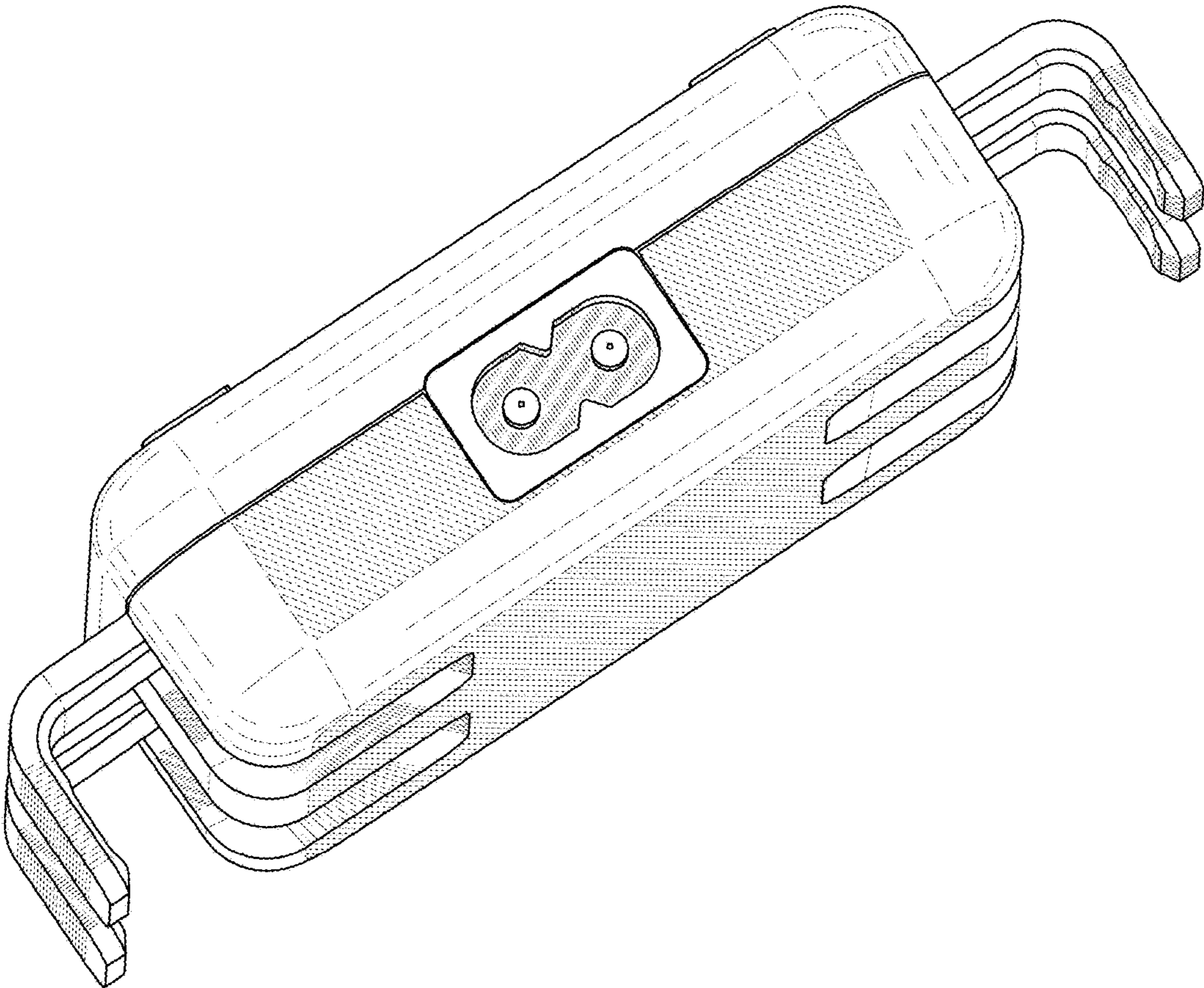


Fig. 11

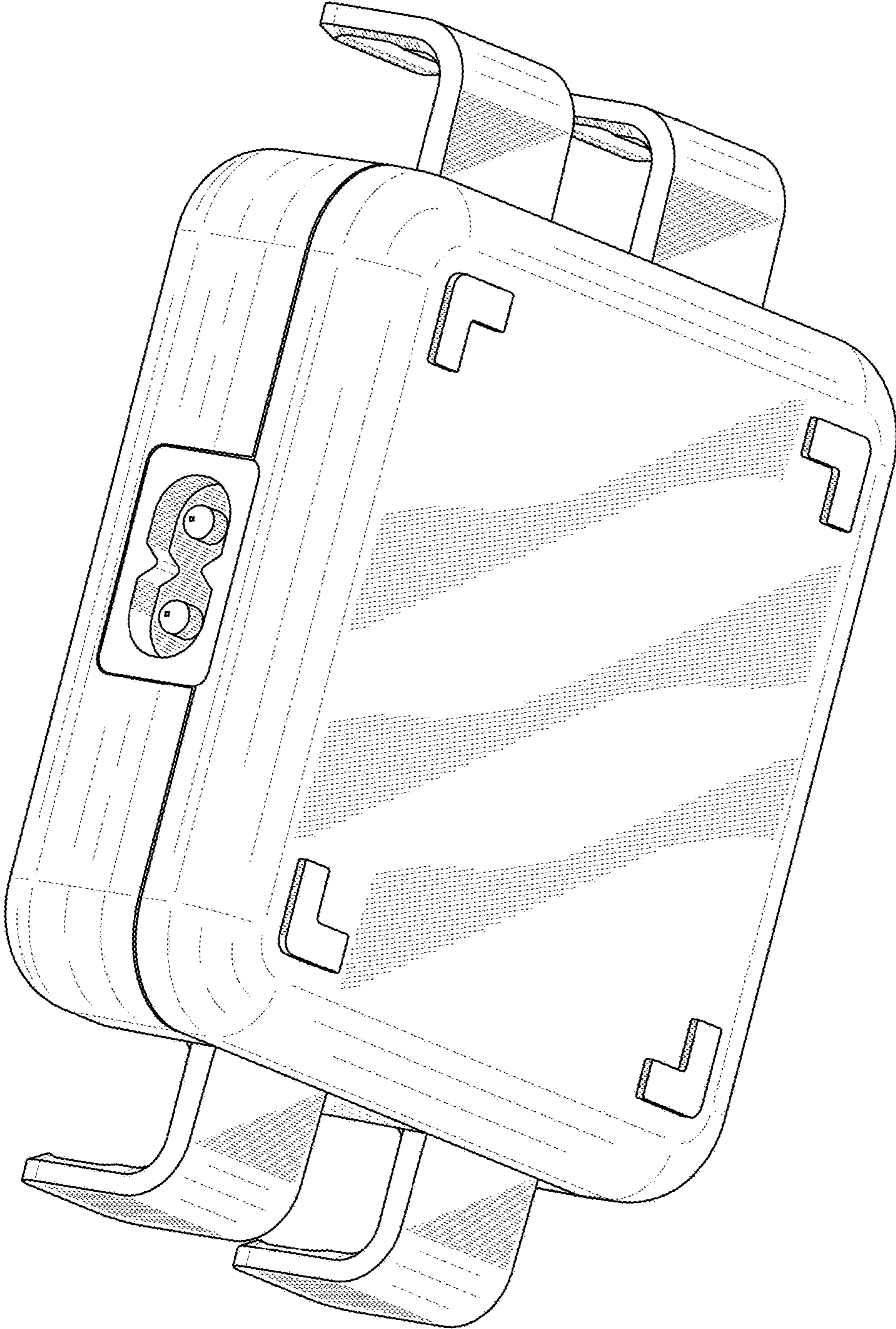


Fig. 12

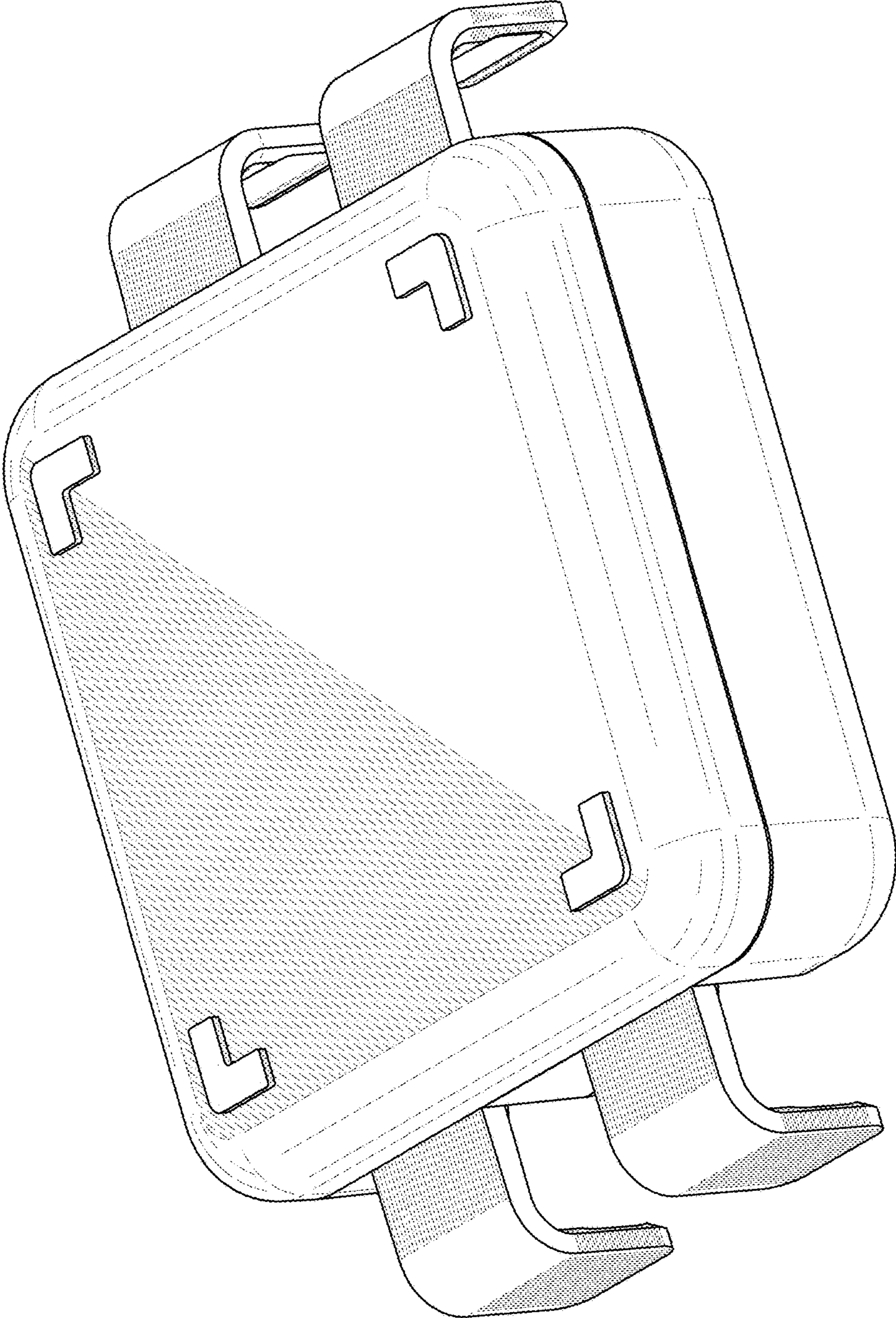


Fig. 13