



US00D845234S

(12) **United States Design Patent**
Gao

(10) **Patent No.:** **US D845,234 S**

(45) **Date of Patent:** **** Apr. 9, 2019**

(54) **CHARGER**

(71) Applicant: **Huabing Gao**, Yichun (CN)

(72) Inventor: **Huabing Gao**, Yichun (CN)

(**) Term: **15 Years**

(21) Appl. No.: **29/616,745**

(22) Filed: **Sep. 8, 2017**

(30) **Foreign Application Priority Data**

Mar. 8, 2017 (CN) 2017 3 0064112

(51) **LOC (11) Cl.** **13-02**

(52) **U.S. Cl.**
USPC **D13/108**

(58) **Field of Classification Search**
USPC D13/107-110, 118-119, 184; D14/251,
D14/253, 432, 434

CPC Y02E 60/12; Y02T 90/14; Y02T 90/122;
Y02T 90/128; Y02T 90/163; H02J 7/025;
H02J 7/0042; H02J 7/0044; H02J 7/0045;
H02J 7/0003; H01F 38/14; H01M 2/1022;
H01M 2/1055; H01M 10/44; H01M
10/46; H01M 10/425; B60L 11/182
See application file for complete search history.

(56) **References Cited**

U.S. PATENT DOCUMENTS

D433,251 S * 11/2000 Blazevich D6/629
D554,929 S * 11/2007 Jajdelski D6/407

7,888,913 B1 * 2/2011 Marty H02J 7/0075
320/106
D660,650 S * 5/2012 Moore D7/553.2
D669,430 S * 10/2012 Budike D13/108
D709,445 S * 7/2014 Yeh D13/107
D720,166 S * 12/2014 Trindall D6/683.1
D722,958 S * 2/2015 Kotaniemi D13/108
D743,966 S * 11/2015 Izen D14/434
D761,729 S * 7/2016 Leong D13/108
D778,829 S * 2/2017 Marmus D13/108
D818,432 S * 5/2018 Zhu D13/108
D823,796 S * 7/2018 Zhang D13/108

* cited by examiner

Primary Examiner — Rosemary K Tarca

Assistant Examiner — Nathaniel D. Buckner

(74) *Attorney, Agent, or Firm* — Hauptman Ham, LLP

(57) **CLAIM**

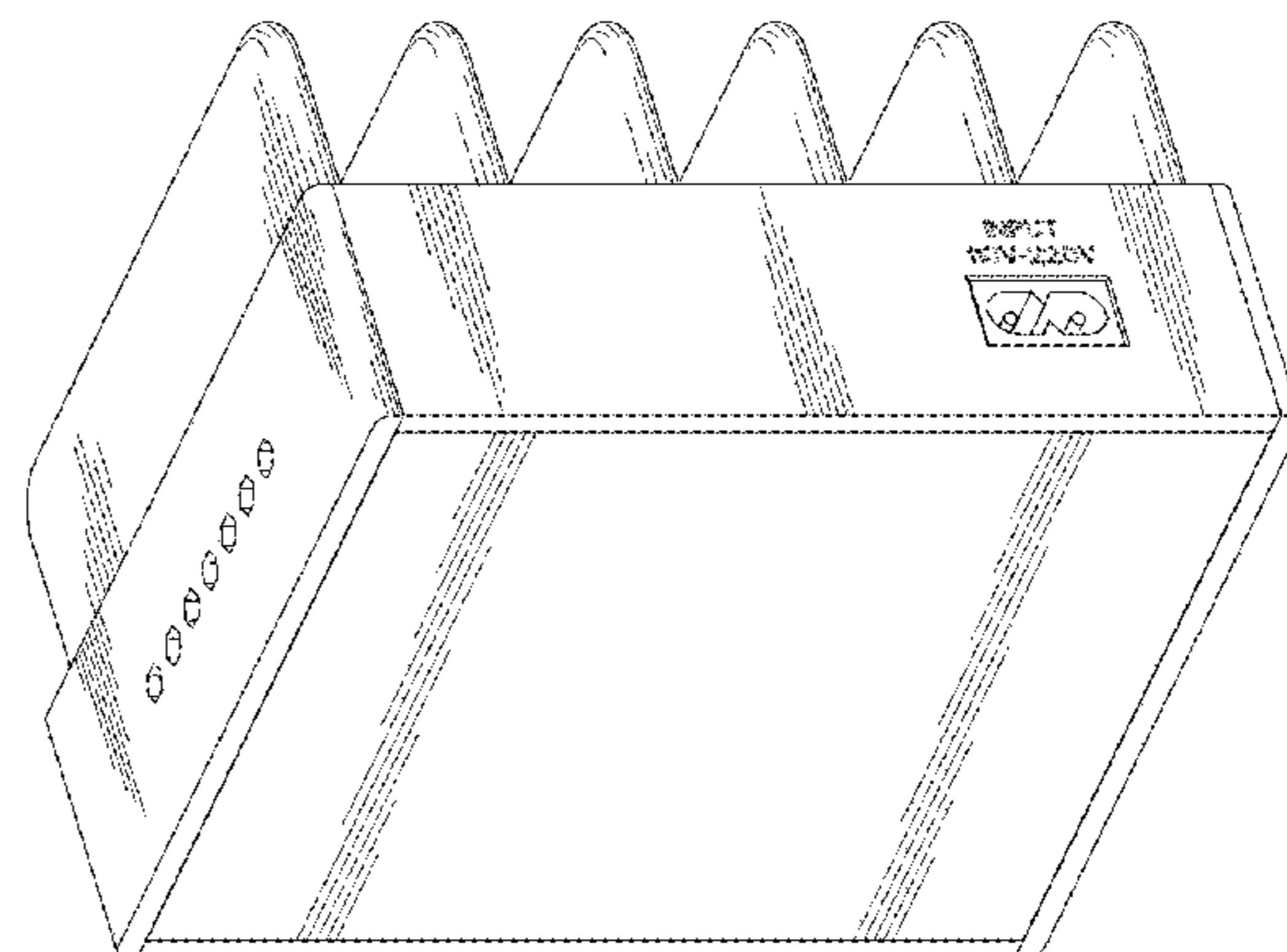
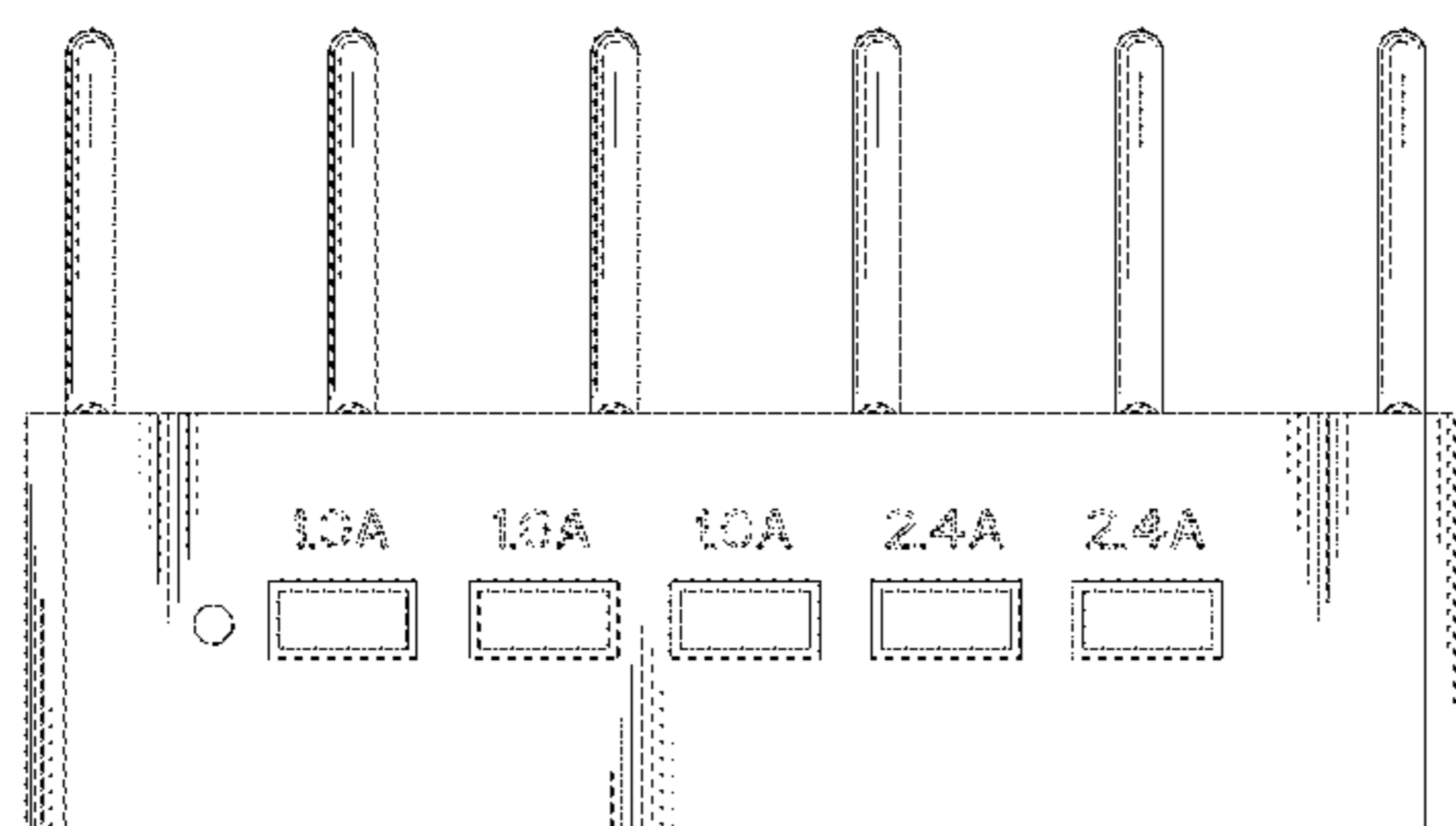
The ornamental design for a charger, as shown and described.

DESCRIPTION

FIG. 1 is a front view of a charger showing the new design; FIG. 2 is a rear view thereof; FIG. 3 is a left side view thereof; FIG. 4 is a right side view thereof; FIG. 5 is a top side view thereof; FIG. 6 is a bottom side view thereof; and, FIG. 7 is a perspective view thereof.

The broken lines in all views illustrate portions of the charger and form no part of the claimed design.

1 Claim, 5 Drawing Sheets



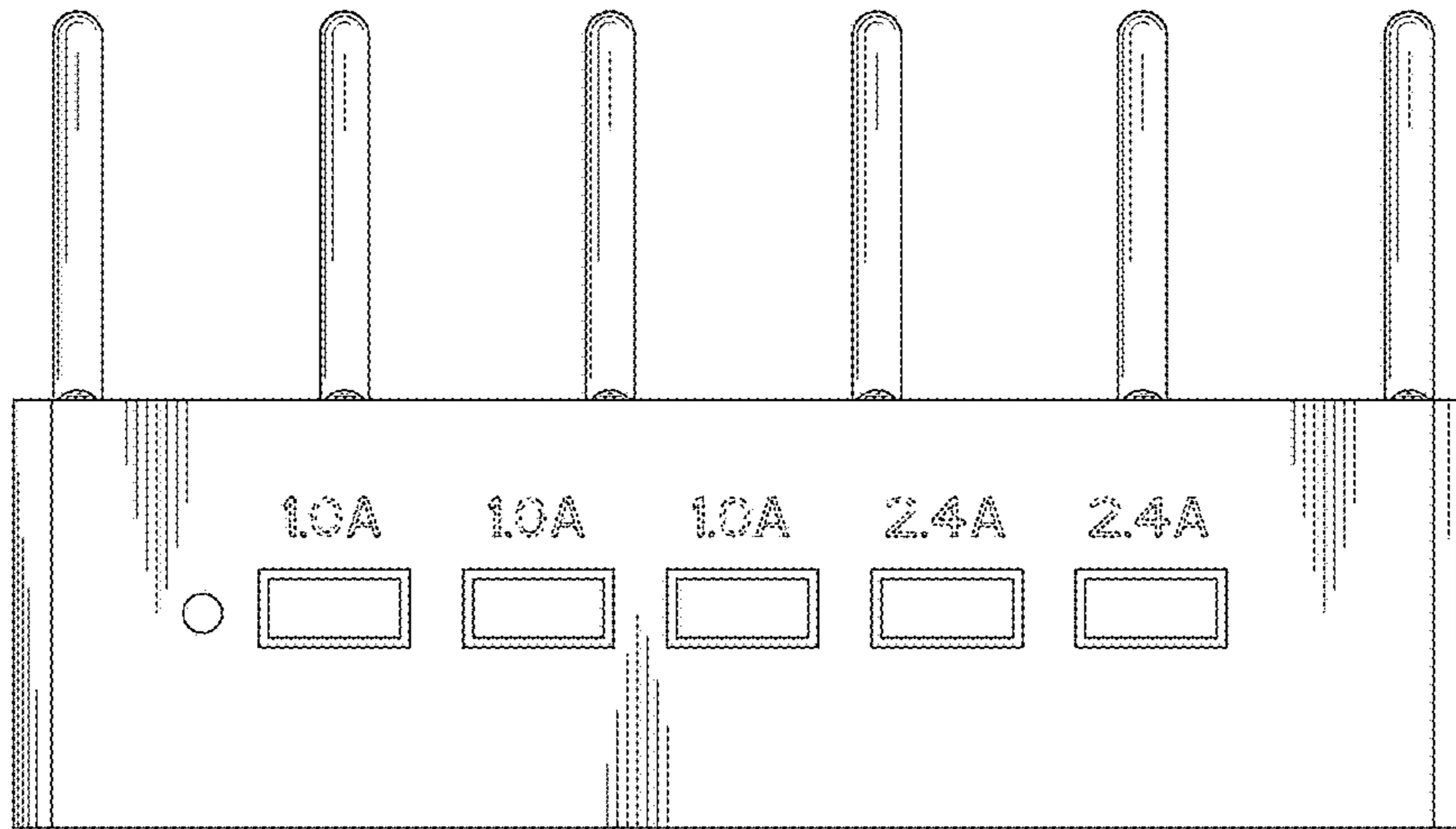


FIG. 1

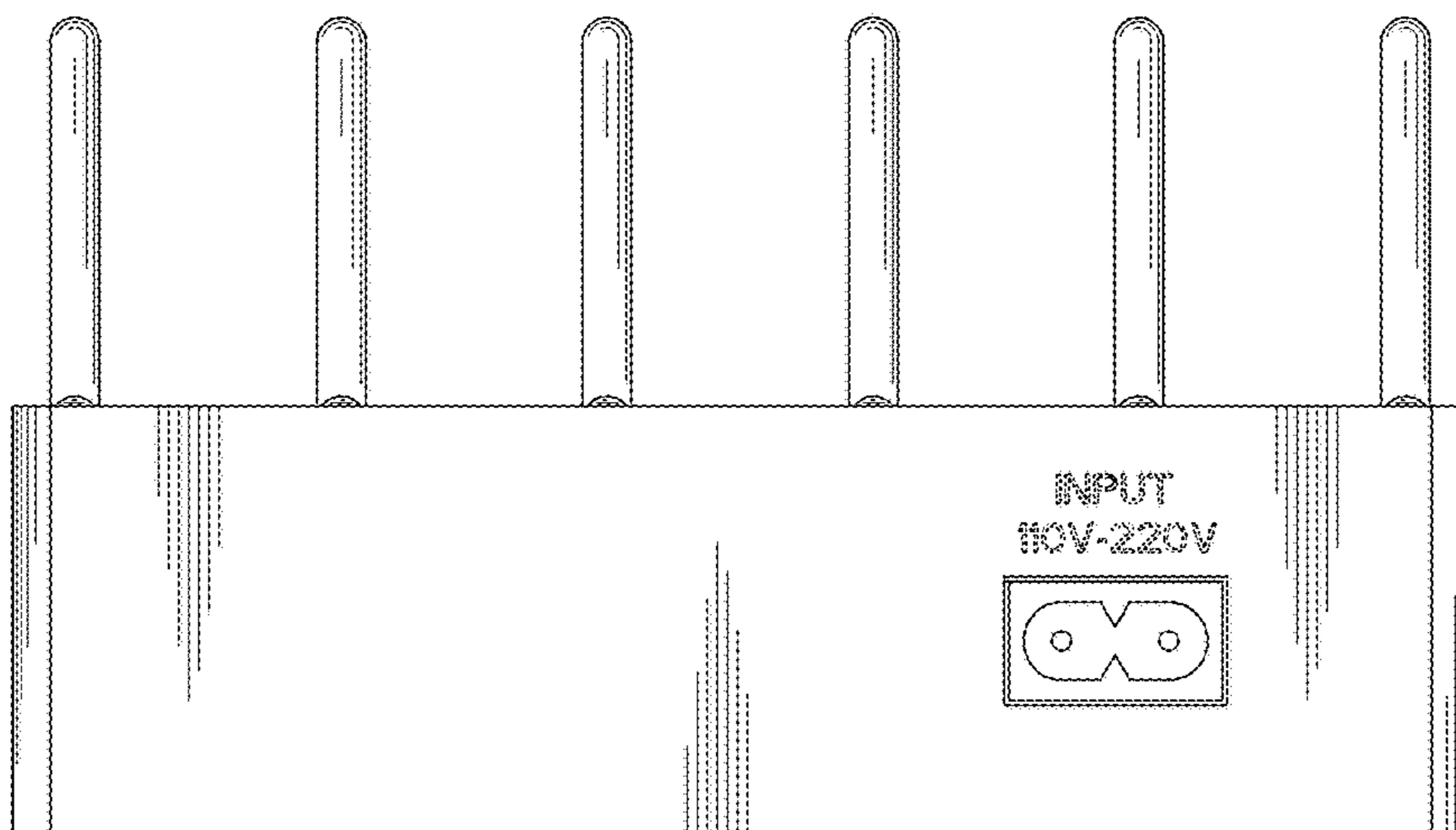


FIG. 2

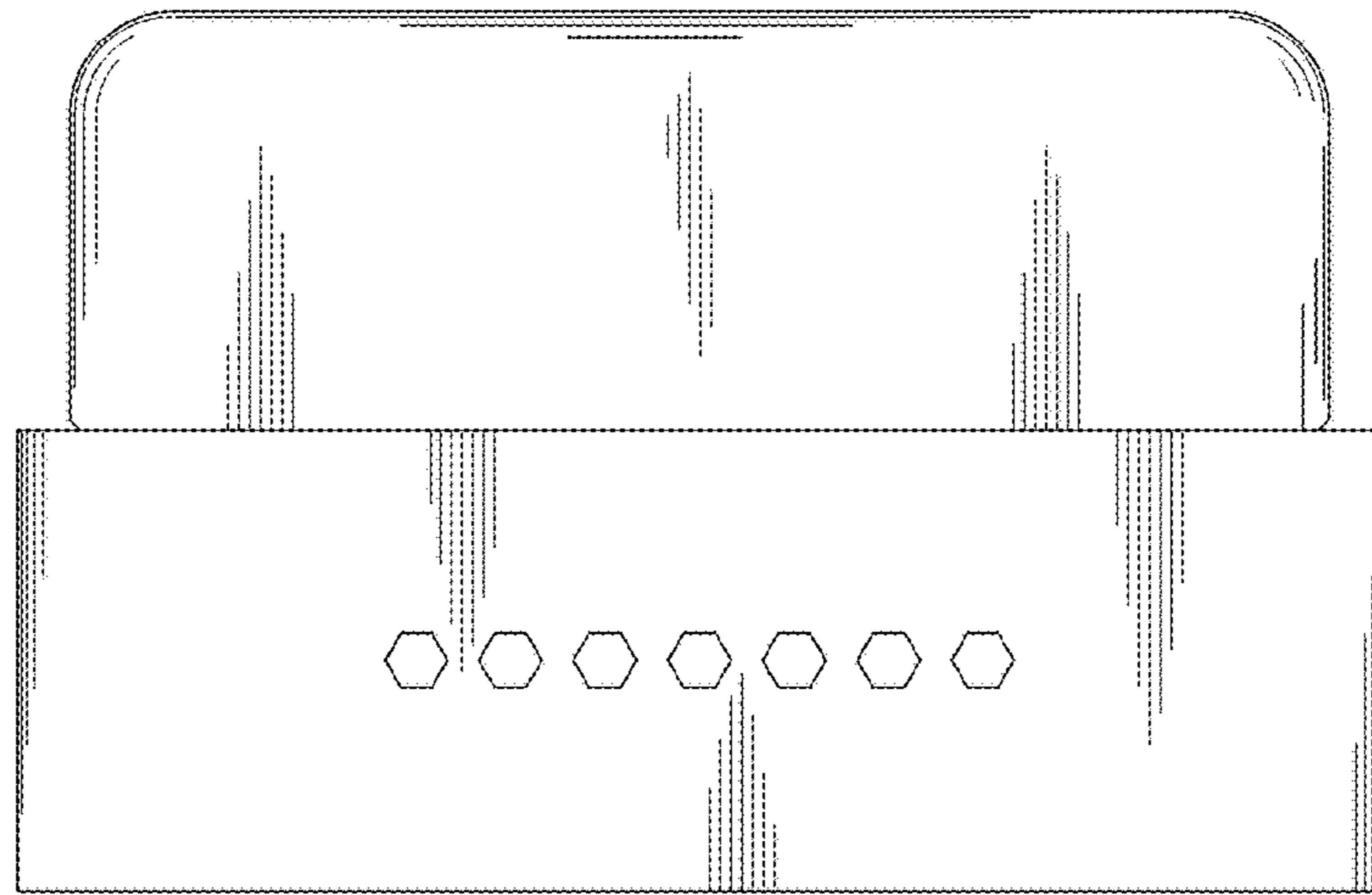


FIG.3

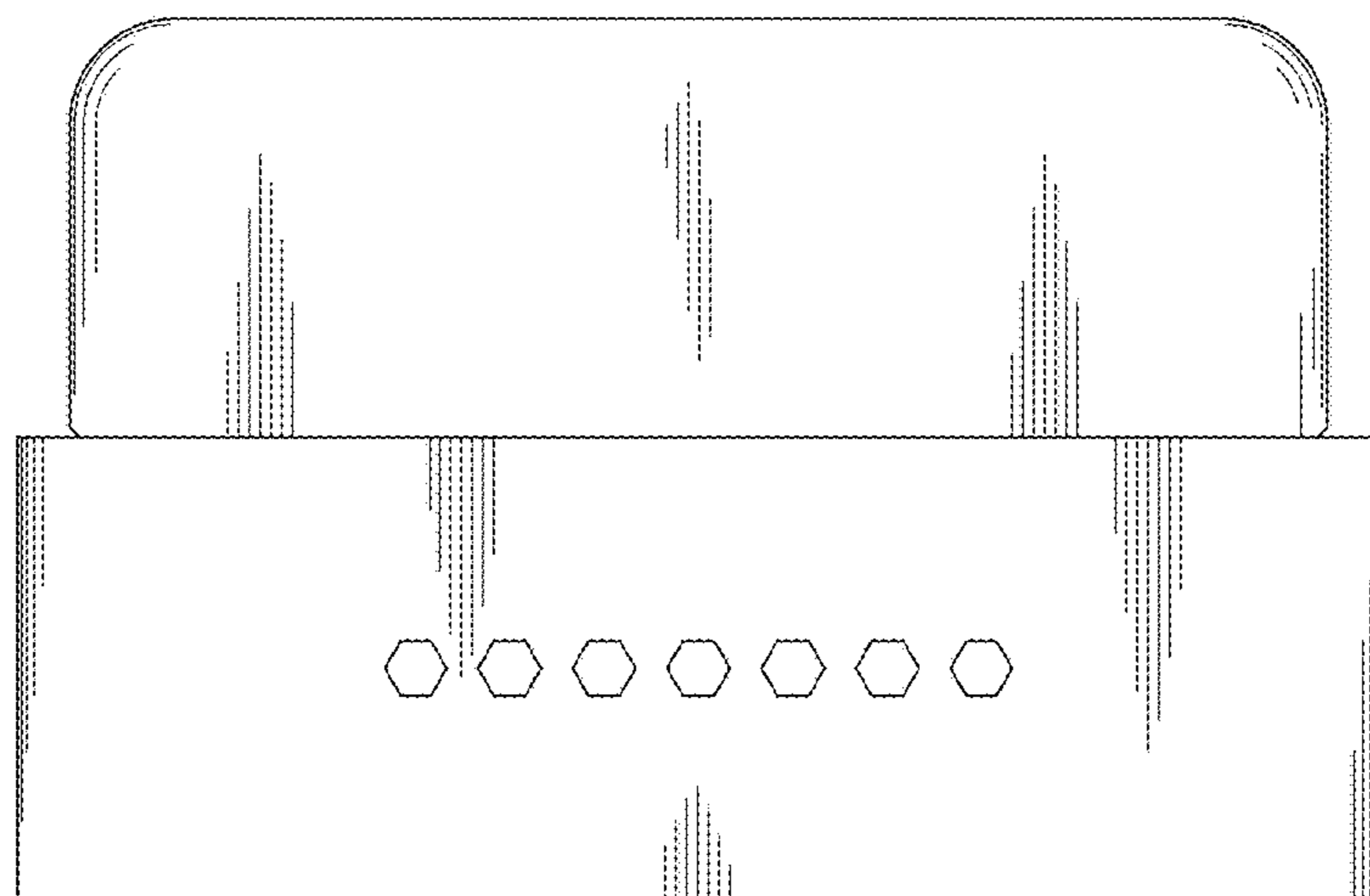


FIG.4

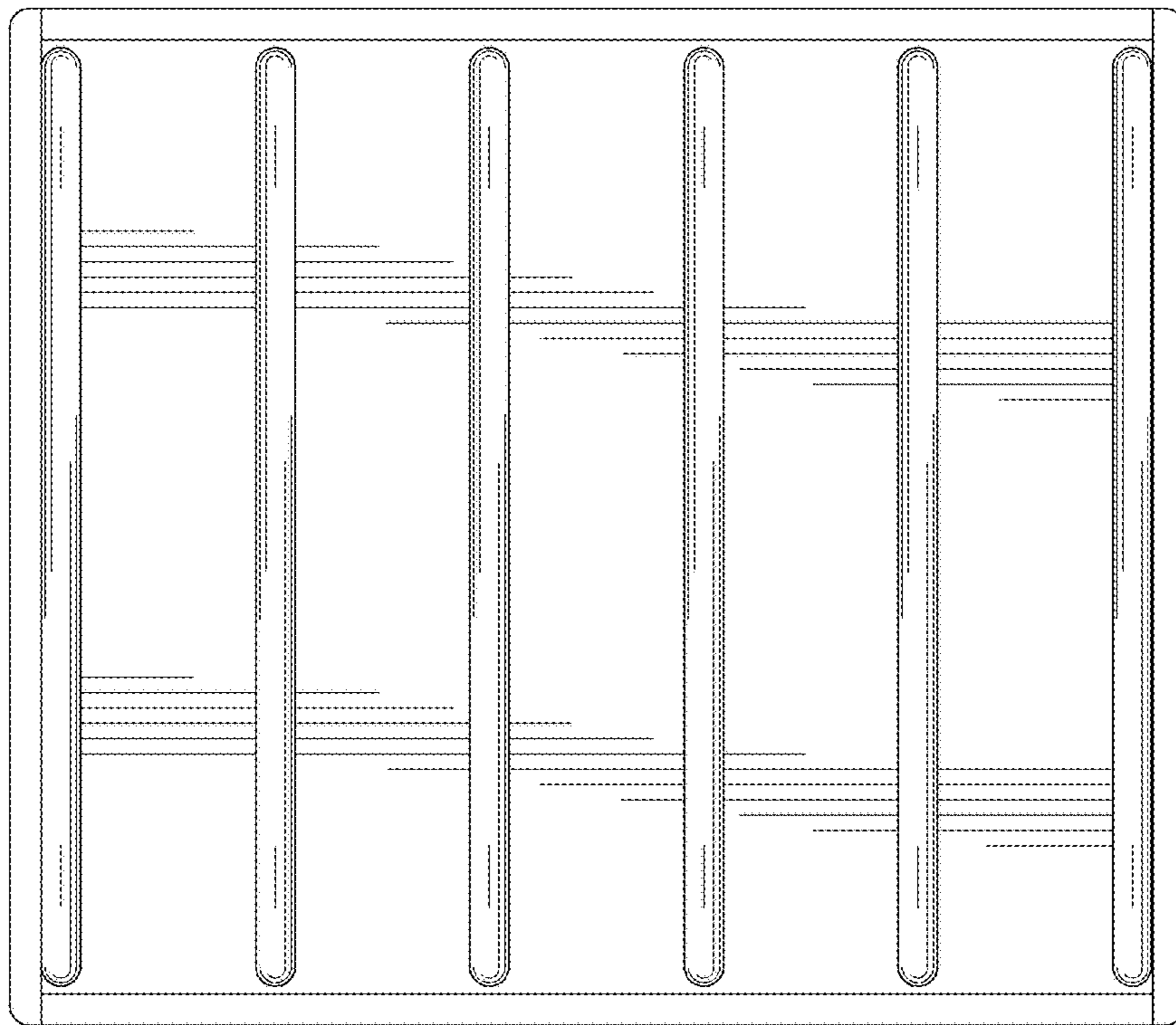


FIG.5

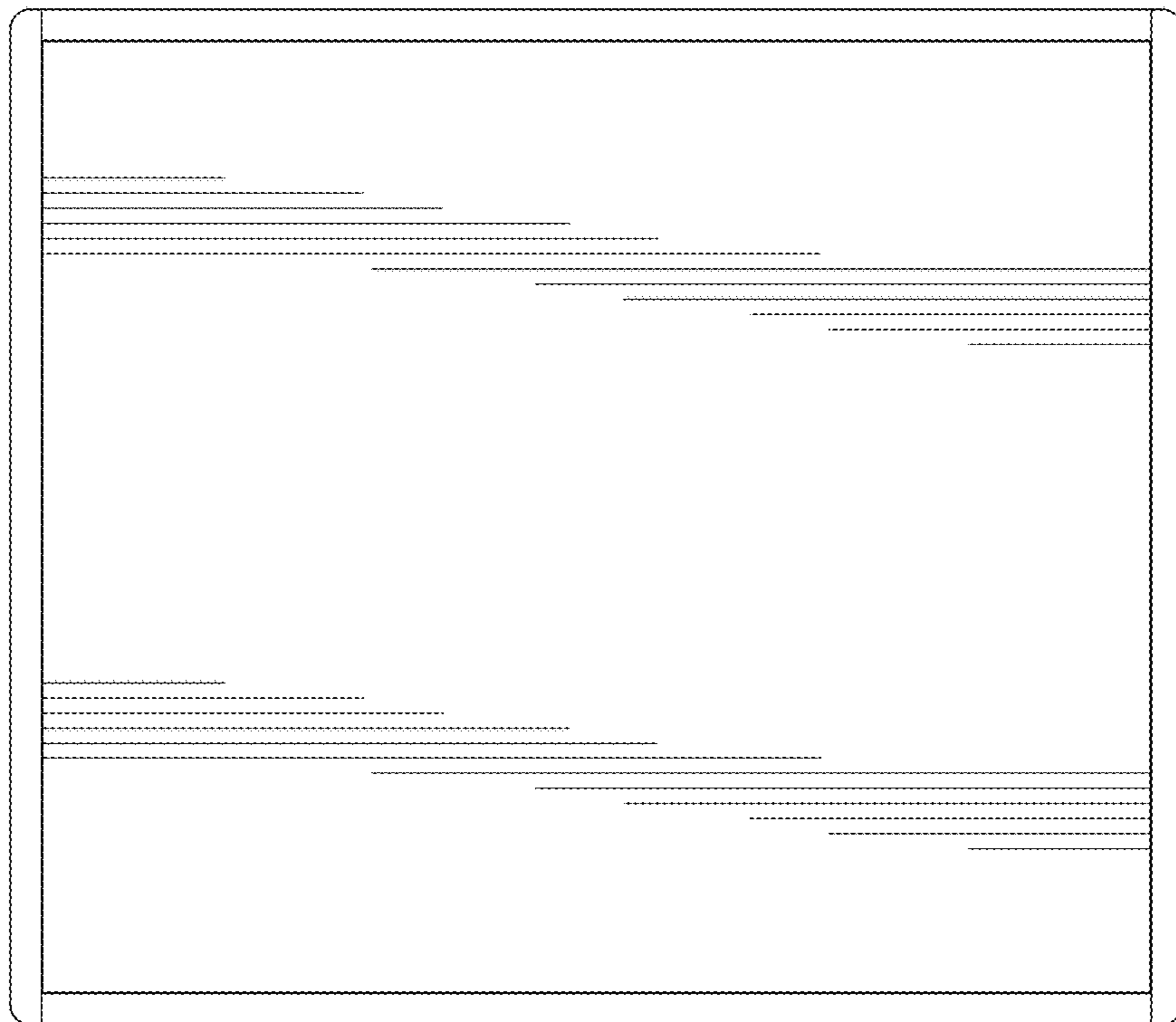


FIG.6

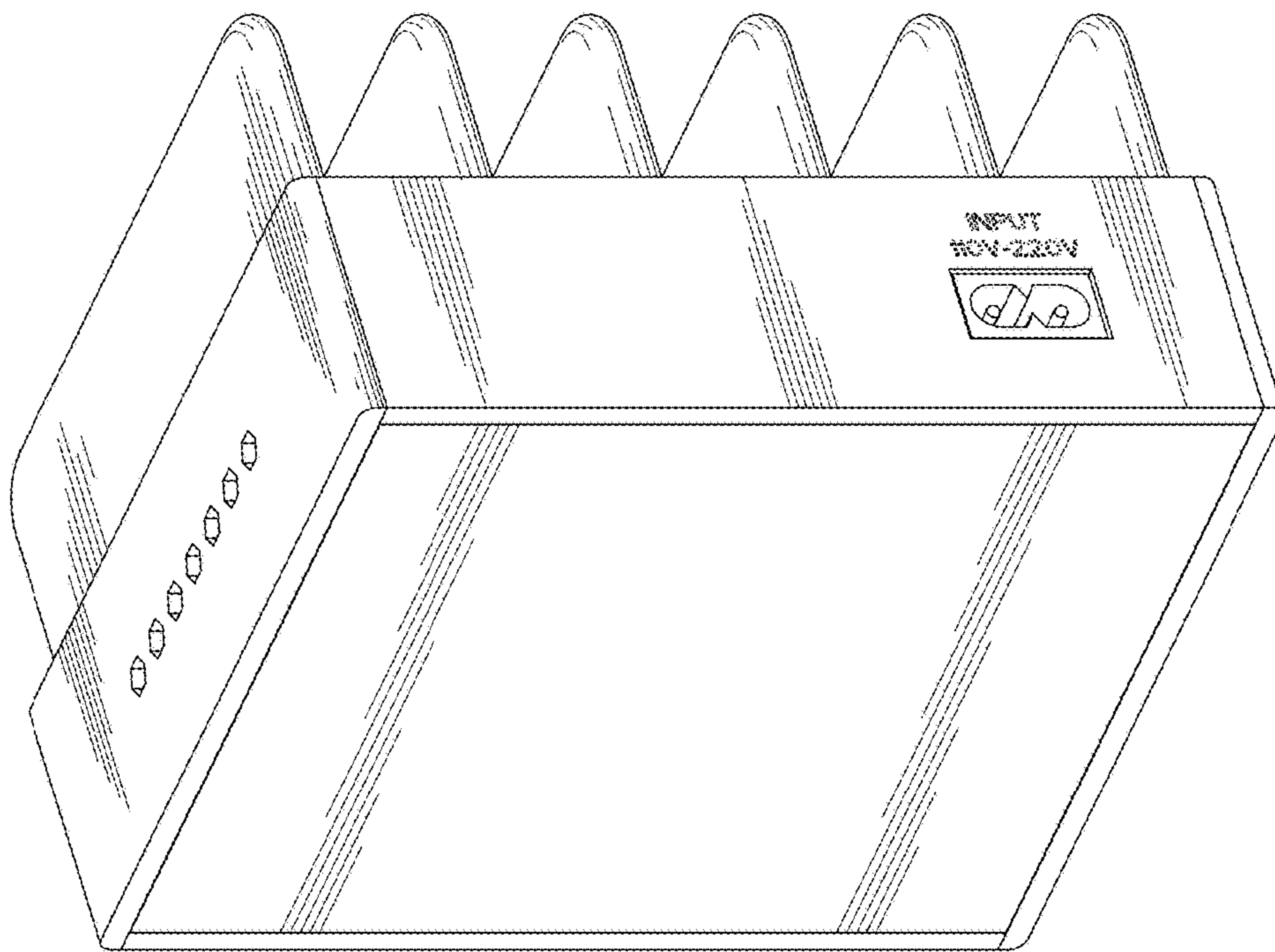


FIG.7