



US00D845233S

(12) **United States Design Patent**  
**Zeng**

(10) **Patent No.:** **US D845,233 S**

(45) **Date of Patent:** **\*\* Apr. 9, 2019**

(54) **POWER CHARGING BOX**

(71) Applicant: **Shenzhen Energy Storage Electronics Co., LTD**, Shenzhen (CN)

(72) Inventor: **Jinhui Zeng**, Shenzhen (CN)

(73) Assignee: **Shenzhen Energy Storage Electronics Co., LTD**, Shenzhen (CN)

(\*\*) Term: **15 Years**

(21) Appl. No.: **29/603,598**

(22) Filed: **May 11, 2017**

(51) **LOC (11) Cl.** ..... **13-02**

(52) **U.S. Cl.**  
USPC ..... **D13/108**; D13/103

(58) **Field of Classification Search**  
USPC ..... D13/102–110, 118–119, 184, 199;  
D14/356, 432  
CPC ..... Y02E 60/10; Y02E 60/12; Y02E 60/122;  
Y02E 60/124; Y02E 60/50; H01M 2/02;  
H01M 2/022; H01M 2/0202; H01M  
2/0207; H01M 2/0212; H01M 2/1061;  
H01M 2/1022; H01M 2/1055; H01M  
2/1066; H01M 2/105; H01M 2/20; H01M  
2/204; H01M 2/206; H01M 10/44; H01M  
10/46; H01M 10/465; H01M 10/482;  
H01M 2200/30; H01M 2250/30; H01M  
2250/40; H02J 7/00; H02J 7/0003; H02J  
7/0011; H02J 7/0013; H02J 7/0054; H02J  
7/0055; H02J 7/0057; H02J 2007/0062  
See application file for complete search history.

(56) **References Cited**

**U.S. PATENT DOCUMENTS**

D599,344 S	*	9/2009	Wang	.....	D14/356
D602,430 S	*	10/2009	Green	.....	D13/110
D634,706 S	*	3/2011	Takeno	.....	D13/107
D659,635 S	*	5/2012	Hou	.....	D13/107
D674,342 S	*	1/2013	Ho	.....	D13/110

(Continued)

*Primary Examiner* — Rosemary K Tarcza

*Assistant Examiner* — Nathaniel D. Buckner

(74) *Attorney, Agent, or Firm* — W&K IP

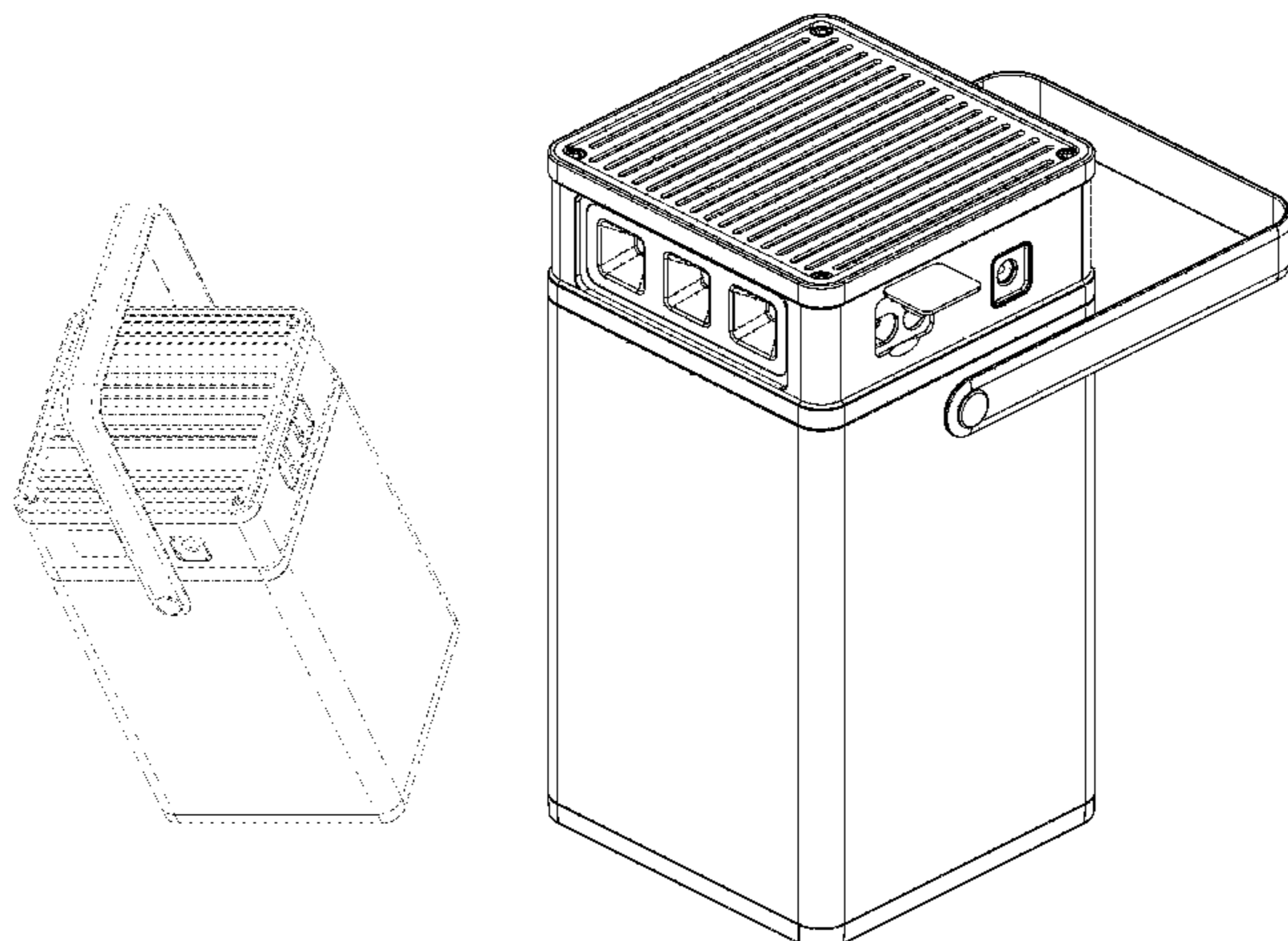
(57) **CLAIM**

The ornamental design for power charging box, as shown and described.

**DESCRIPTION**

FIG. 1 is a perspective view of a power charging box showing the body part of my new design;  
 FIG. 2 is perspective view thereof, shown in an alternate position of use;  
 FIG. 3 is a front elevation view of FIG. 2;  
 FIG. 4 is a rear elevation view thereof;  
 FIG. 5 is a left elevation view thereof;  
 FIG. 6 is a right elevation view thereof;  
 FIG. 7 is a top plan view thereof;  
 FIG. 8 is a bottom plan view thereof;  
 FIG. 9 is perspective view of a power charging box showing the cover part of my new design;  
 FIG. 10 is a front elevation view thereof;  
 FIG. 11 is a rear elevation view thereof;  
 FIG. 12 is a left elevation view thereof;  
 FIG. 13 is a right elevation view thereof;  
 FIG. 14 is a top plan view thereof;  
 FIG. 15 is a bottom plan view thereof;  
 FIG. 16 is a perspective view of a power charging box shown in an assembled condition showing my design;  
 FIG. 17 is second perspective view thereof;  
 FIG. 18 is a front elevation view thereof;  
 FIG. 19 is a rear elevation view thereof;  
 FIG. 20 is a left elevation view thereof;  
 FIG. 21 is a right elevation view thereof;  
 FIG. 22 is a top plan view thereof; and,  
 FIG. 23 is a bottom plan view thereof.  
 The broken lines in the figures depict portions of the article which form no part of the claimed design.

**1 Claim, 23 Drawing Sheets**



(56)

**References Cited**

U.S. PATENT DOCUMENTS

D688,418 S *	8/2013	Liu .....	D13/108
D695,680 S *	12/2013	Workman .....	D13/103
D713,405 S *	9/2014	Akana .....	D14/349
D762,165 S *	7/2016	Rowe .....	D13/103
D762,193 S *	7/2016	Petersen .....	D14/215
D773,992 S *	12/2016	Krantz .....	D13/110
9,825,345 B2 *	11/2017	Liu .....	H01M 10/623
D815,039 S *	4/2018	Wen .....	D13/110

\* cited by examiner

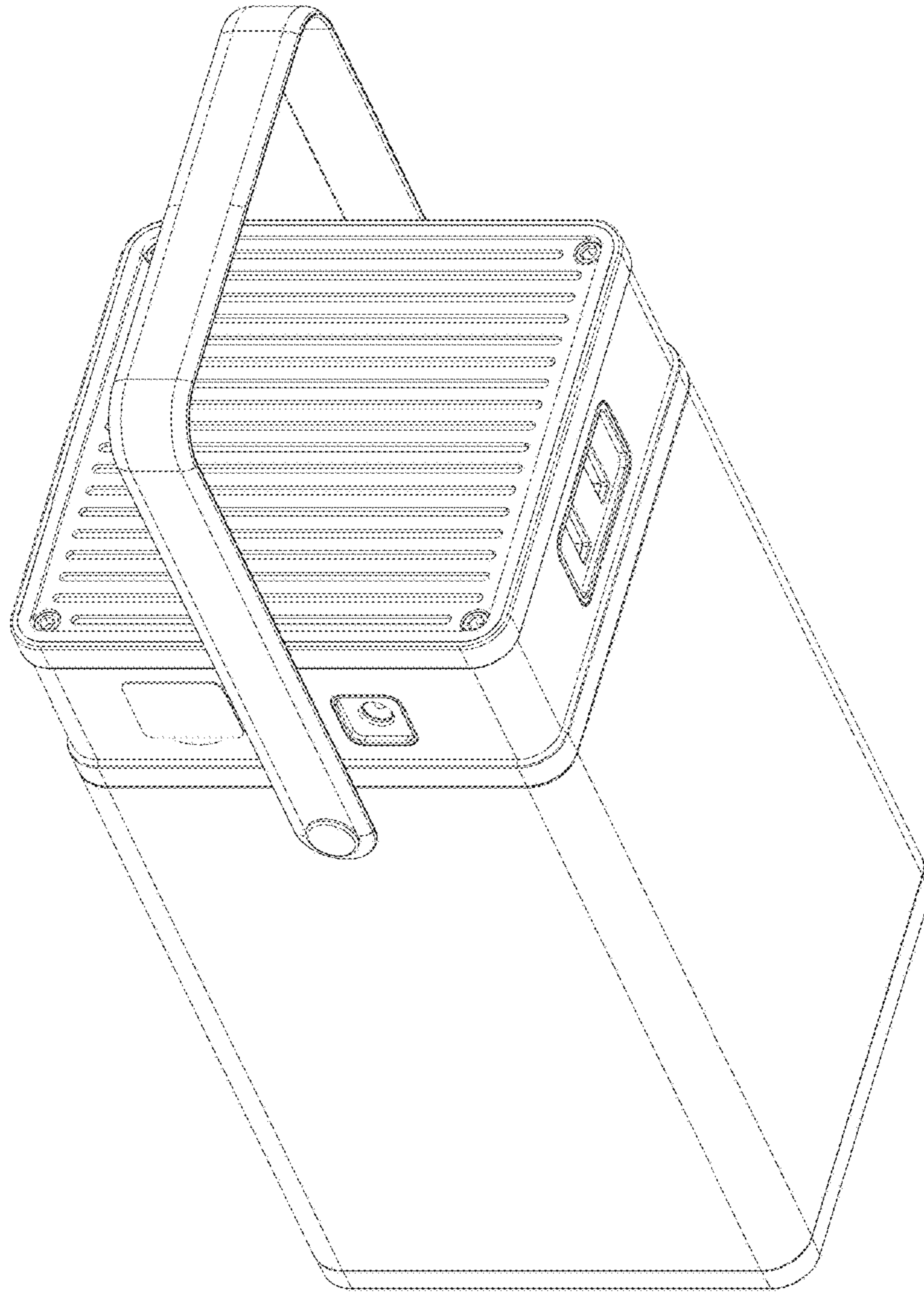


FIG.1

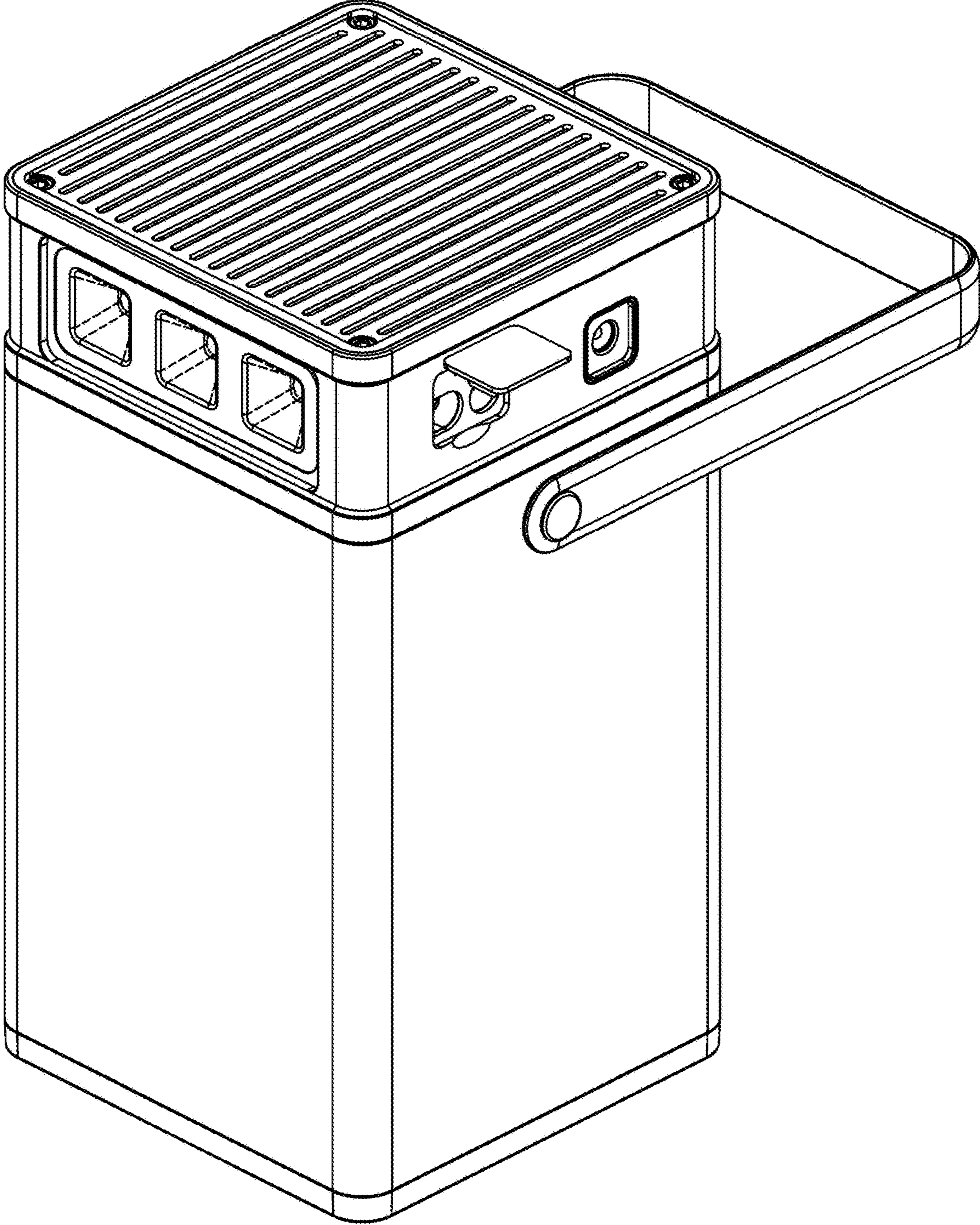


FIG.2

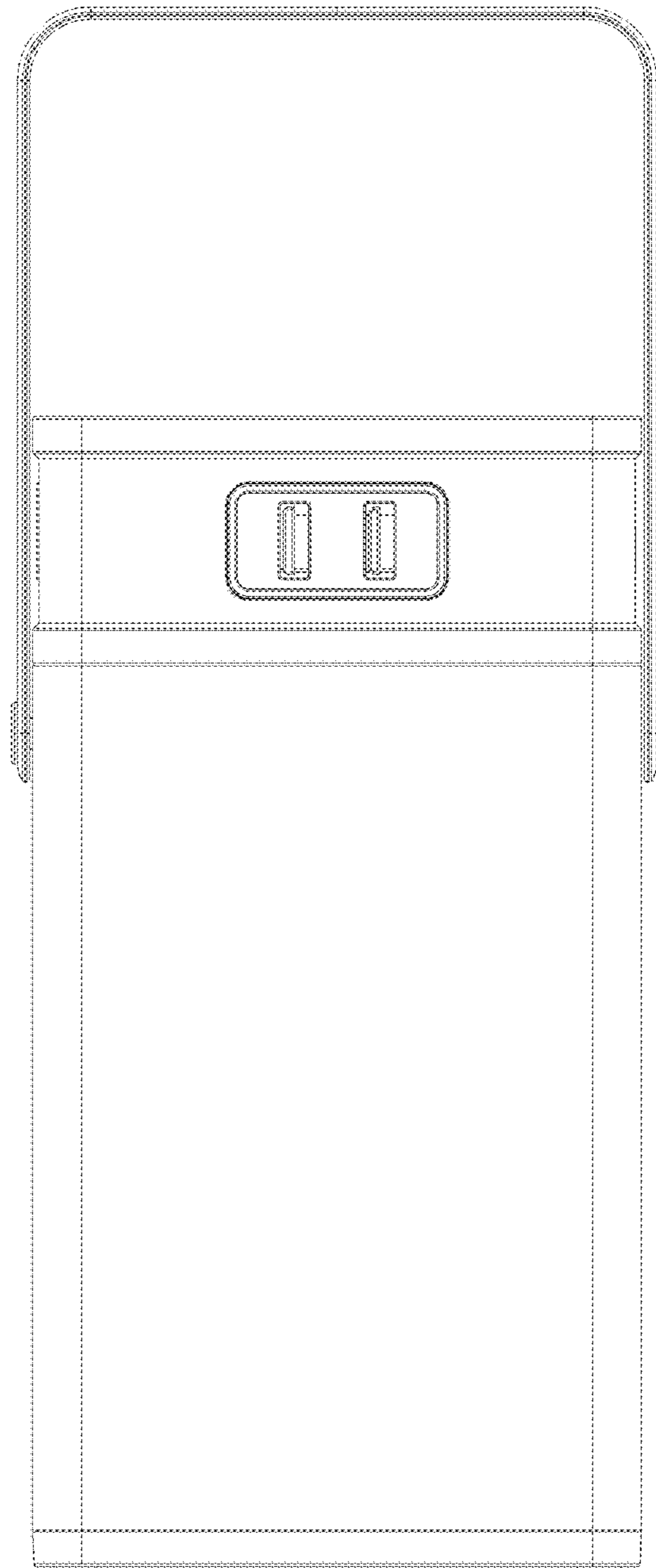


FIG.3

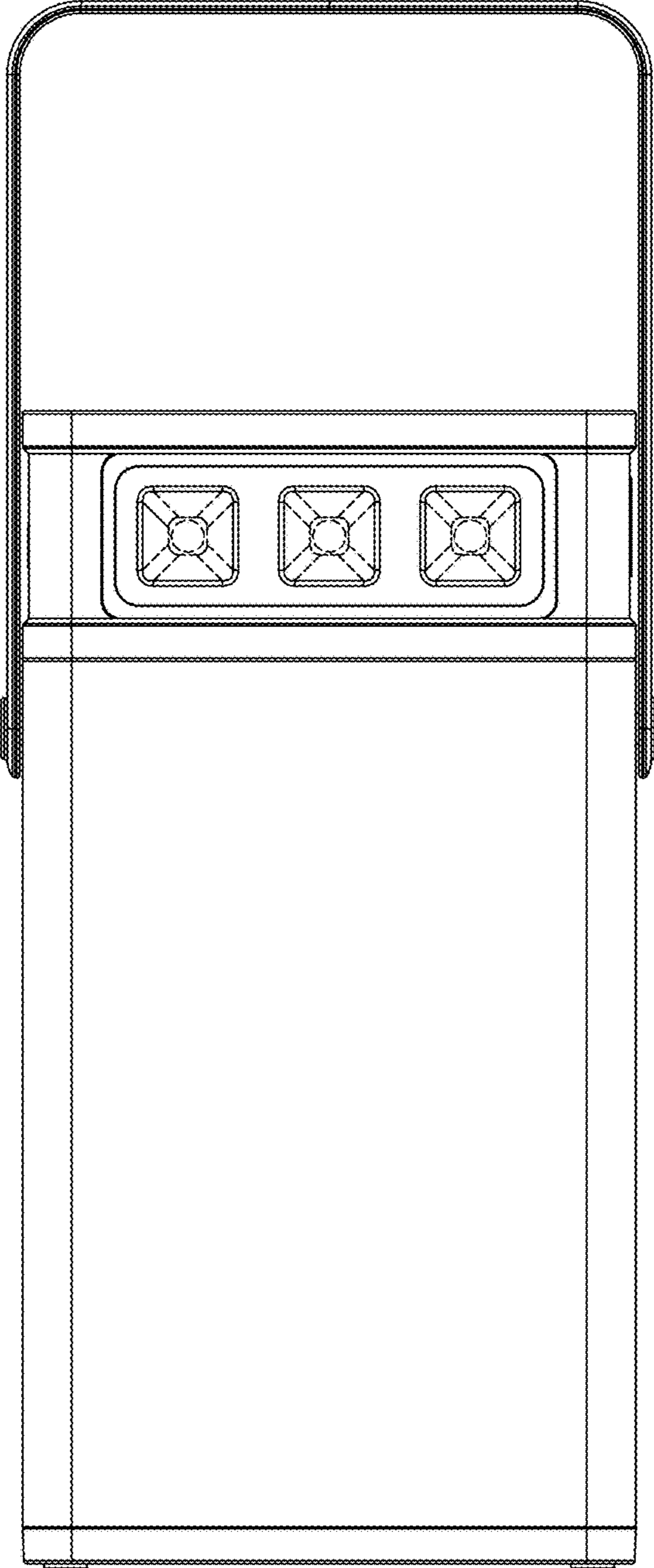


FIG. 4

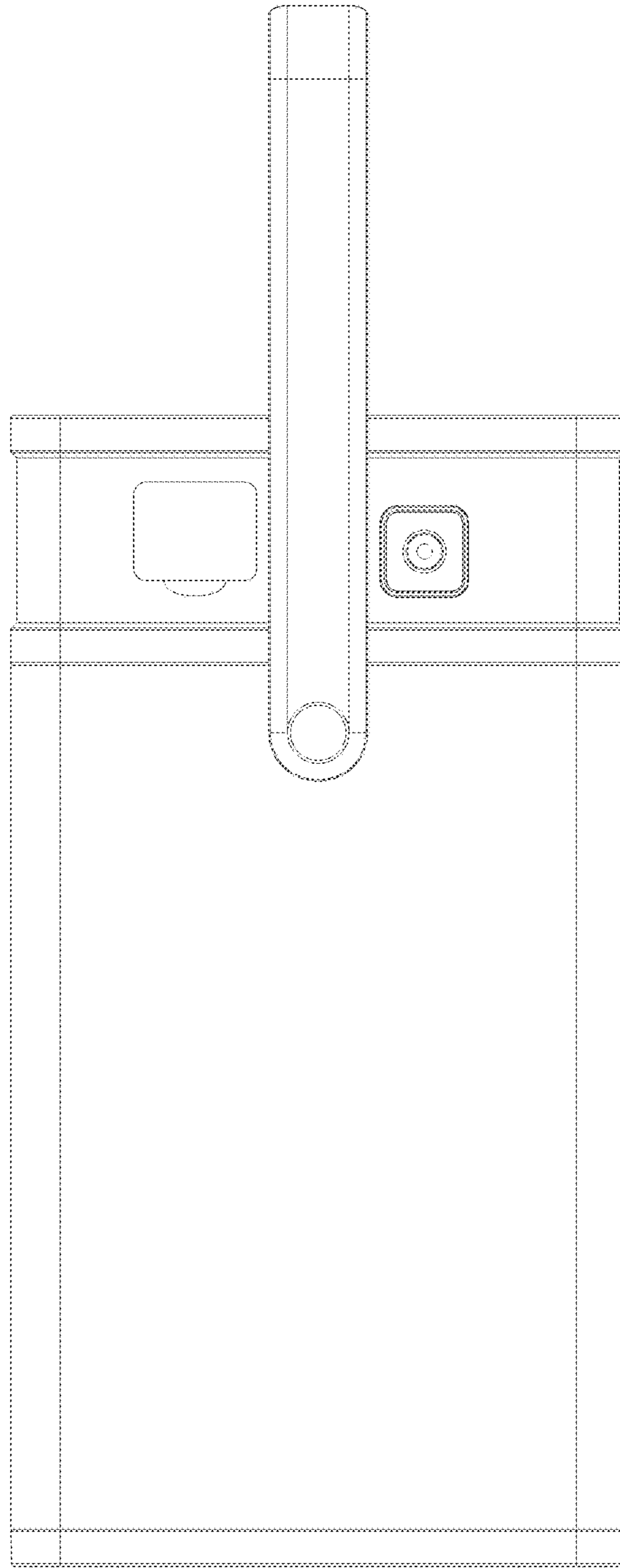


FIG.5

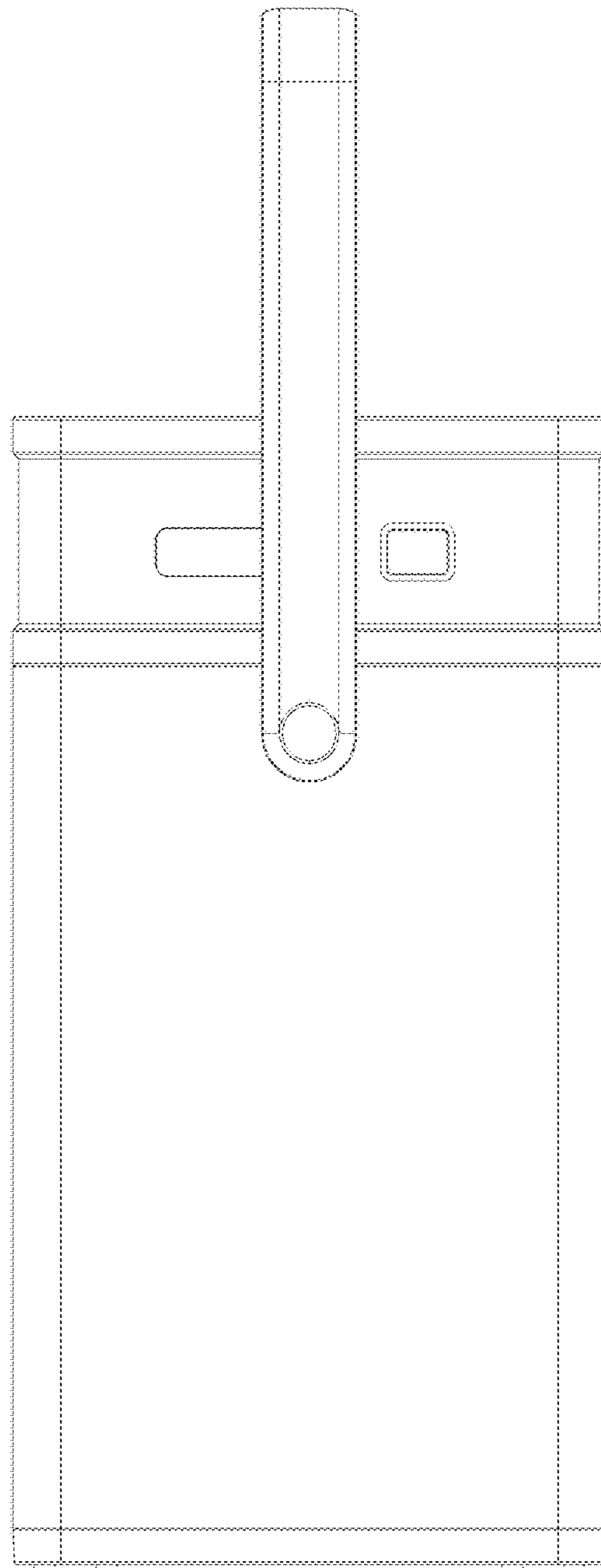


FIG.6



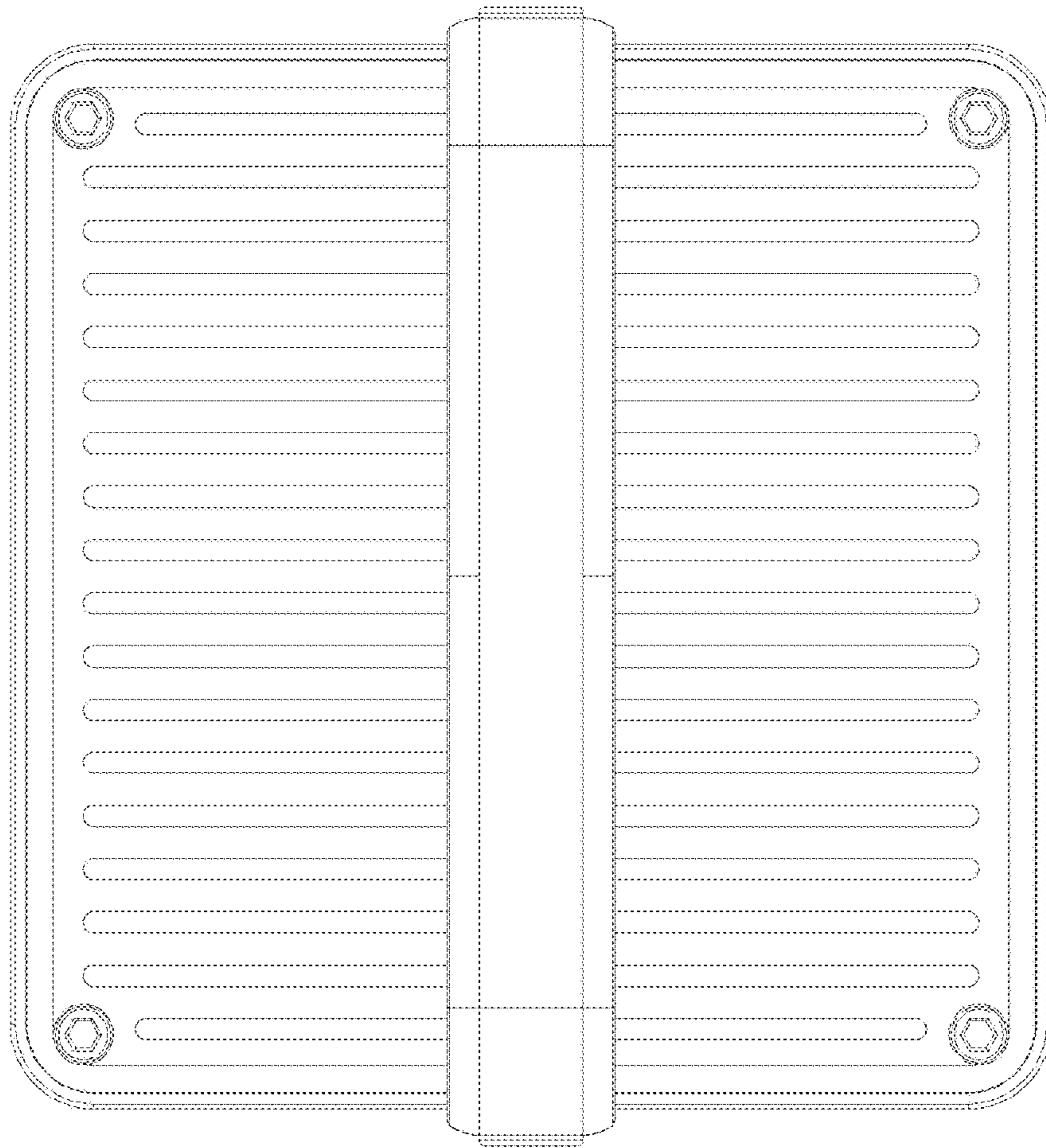


FIG. 7

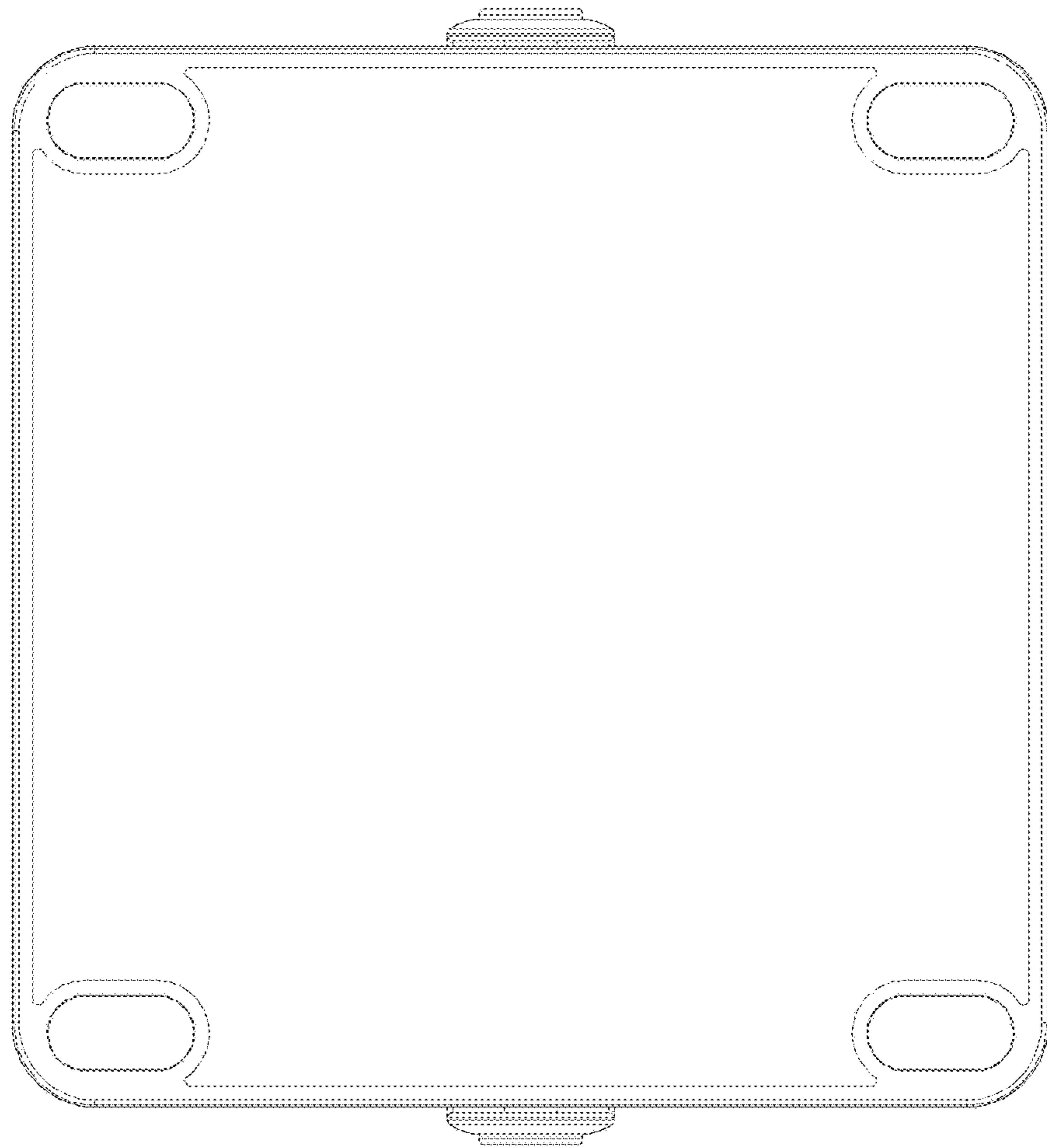


FIG. 8

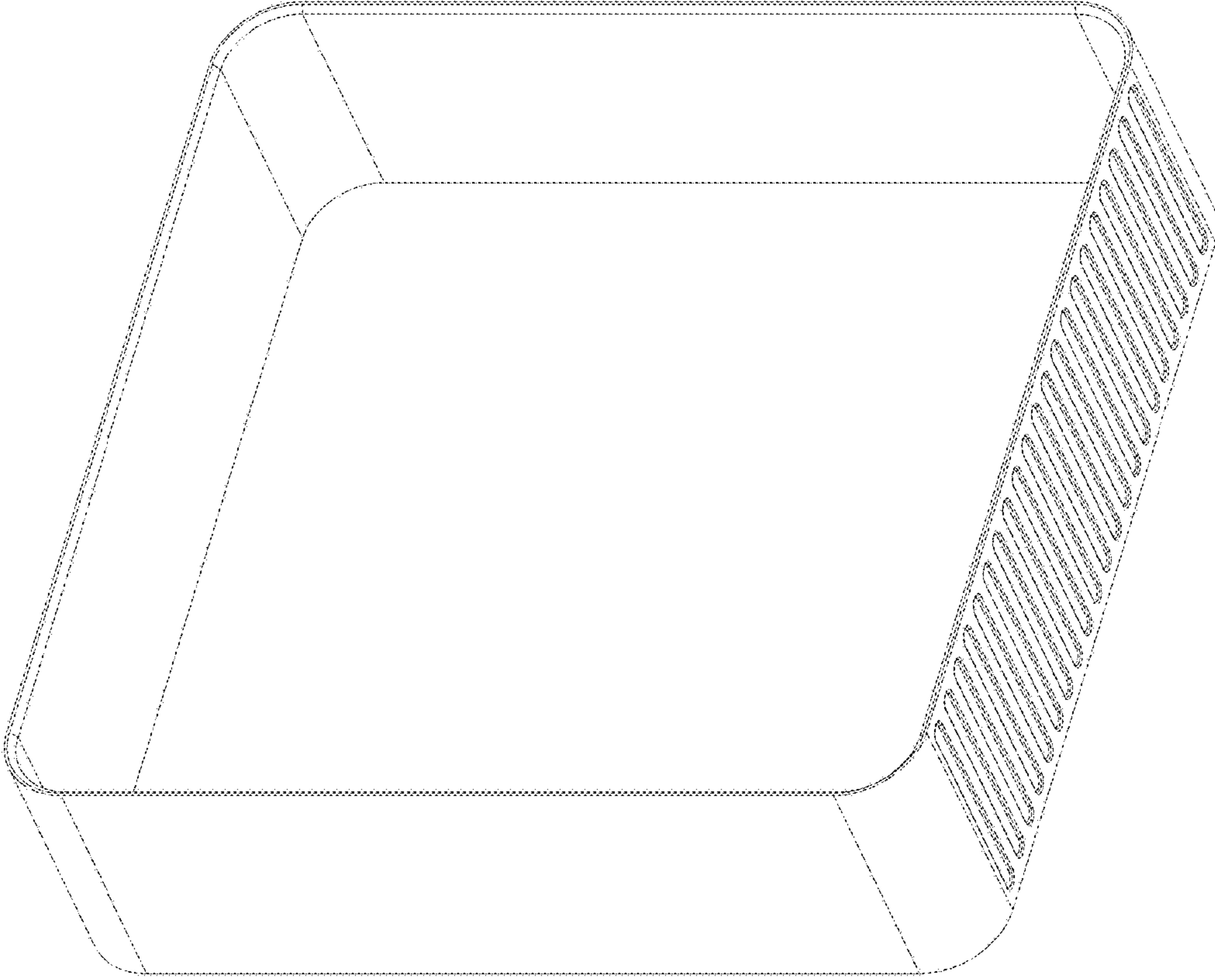


FIG.9

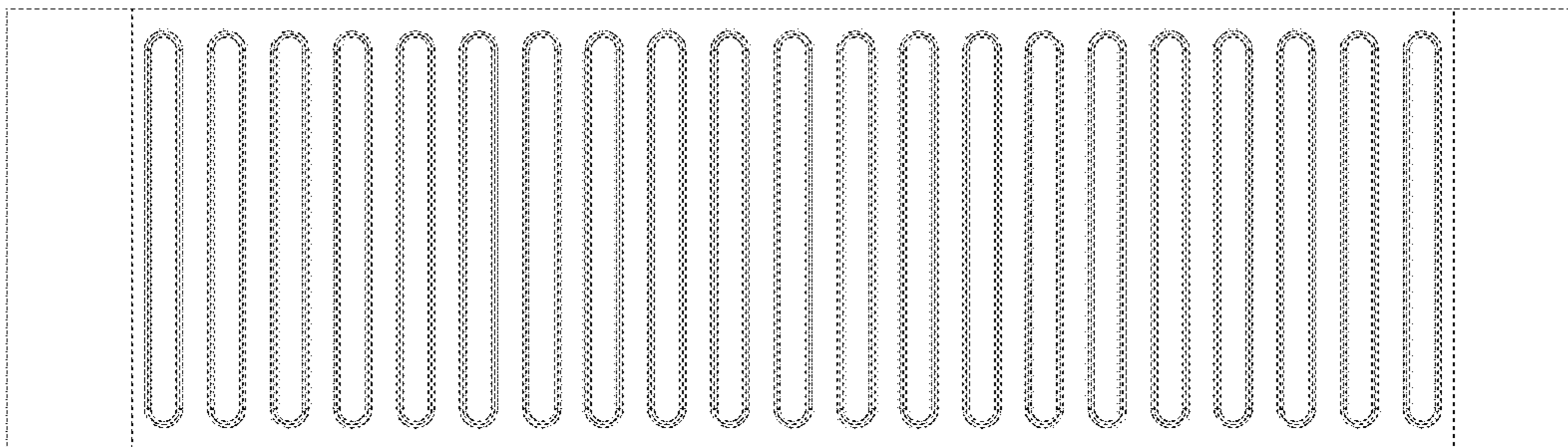


FIG.10

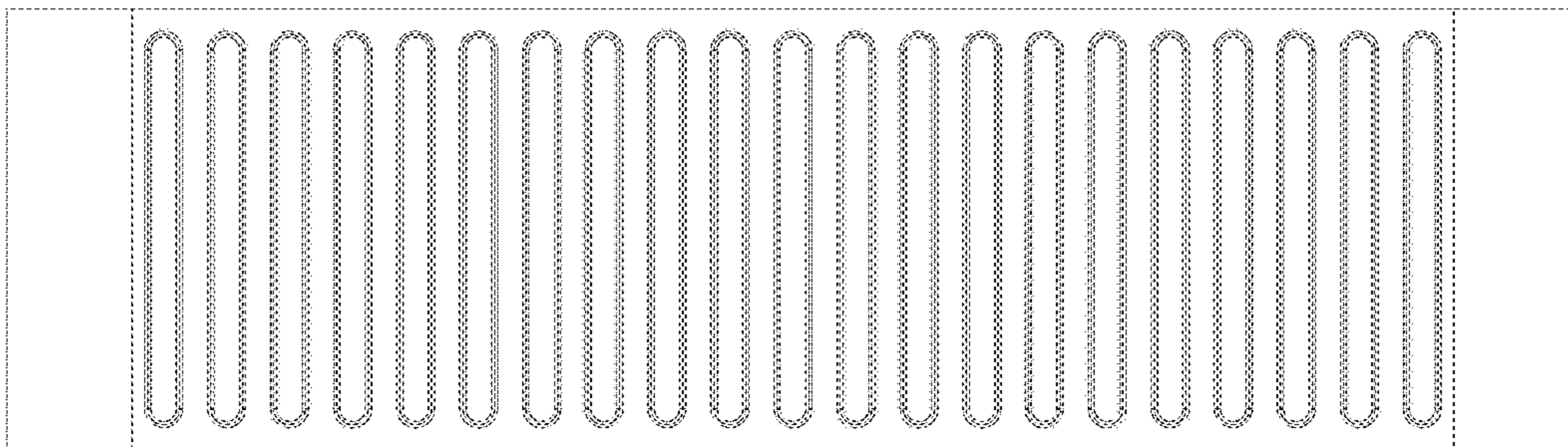


FIG.11

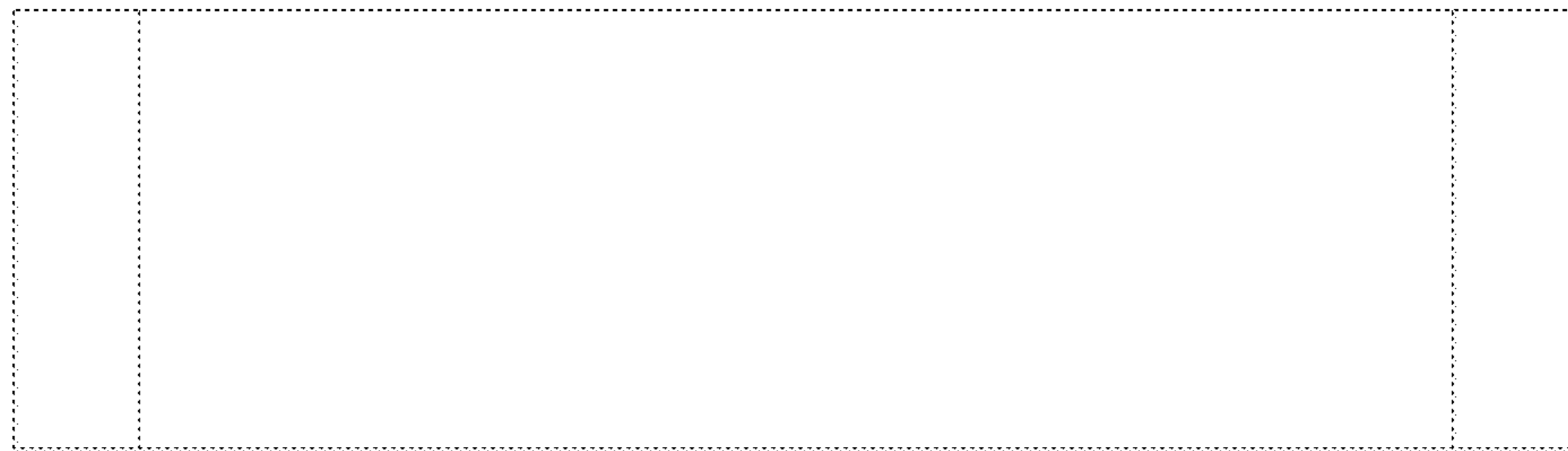


FIG. 12



FIG. 13

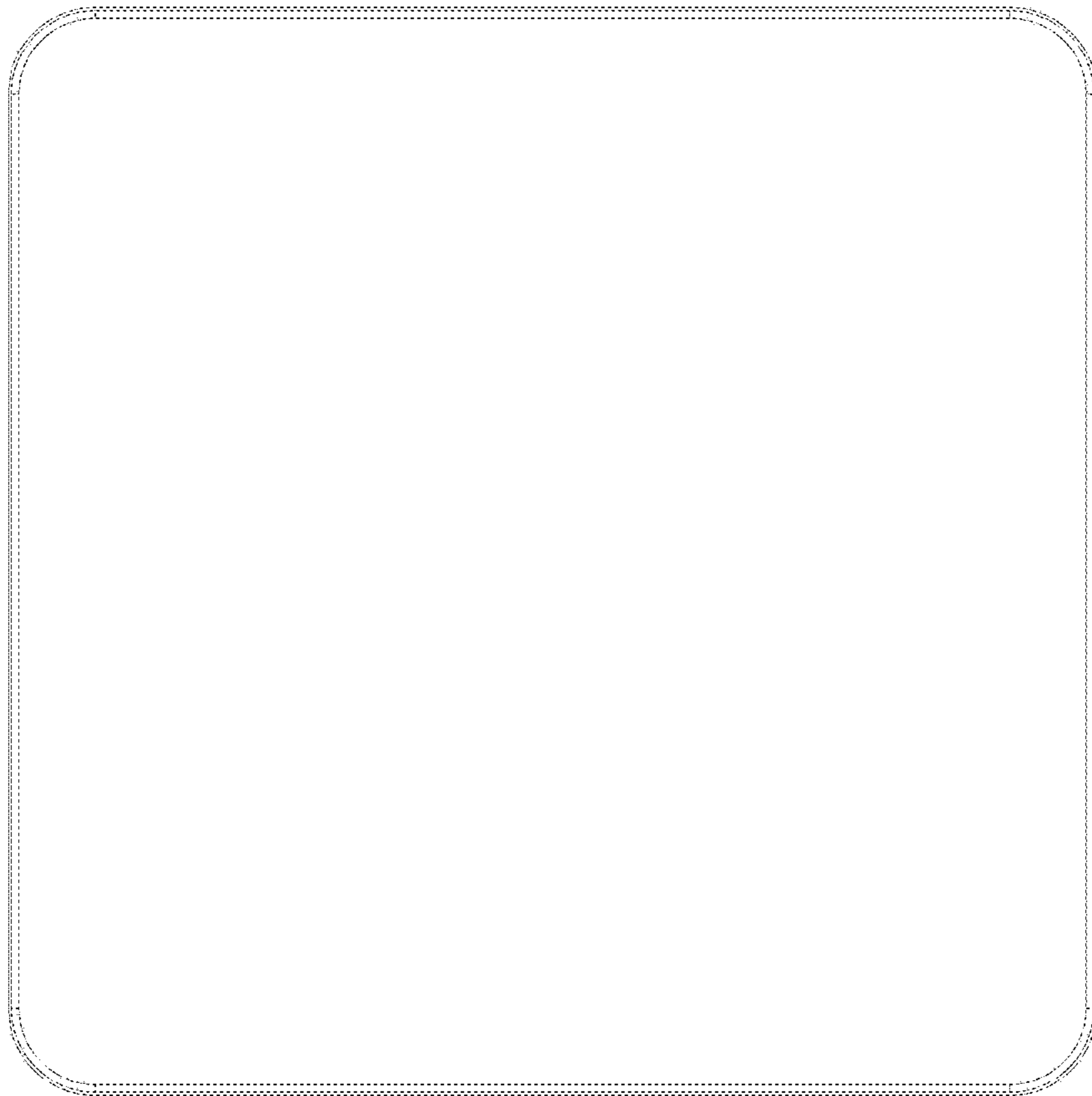


FIG.14



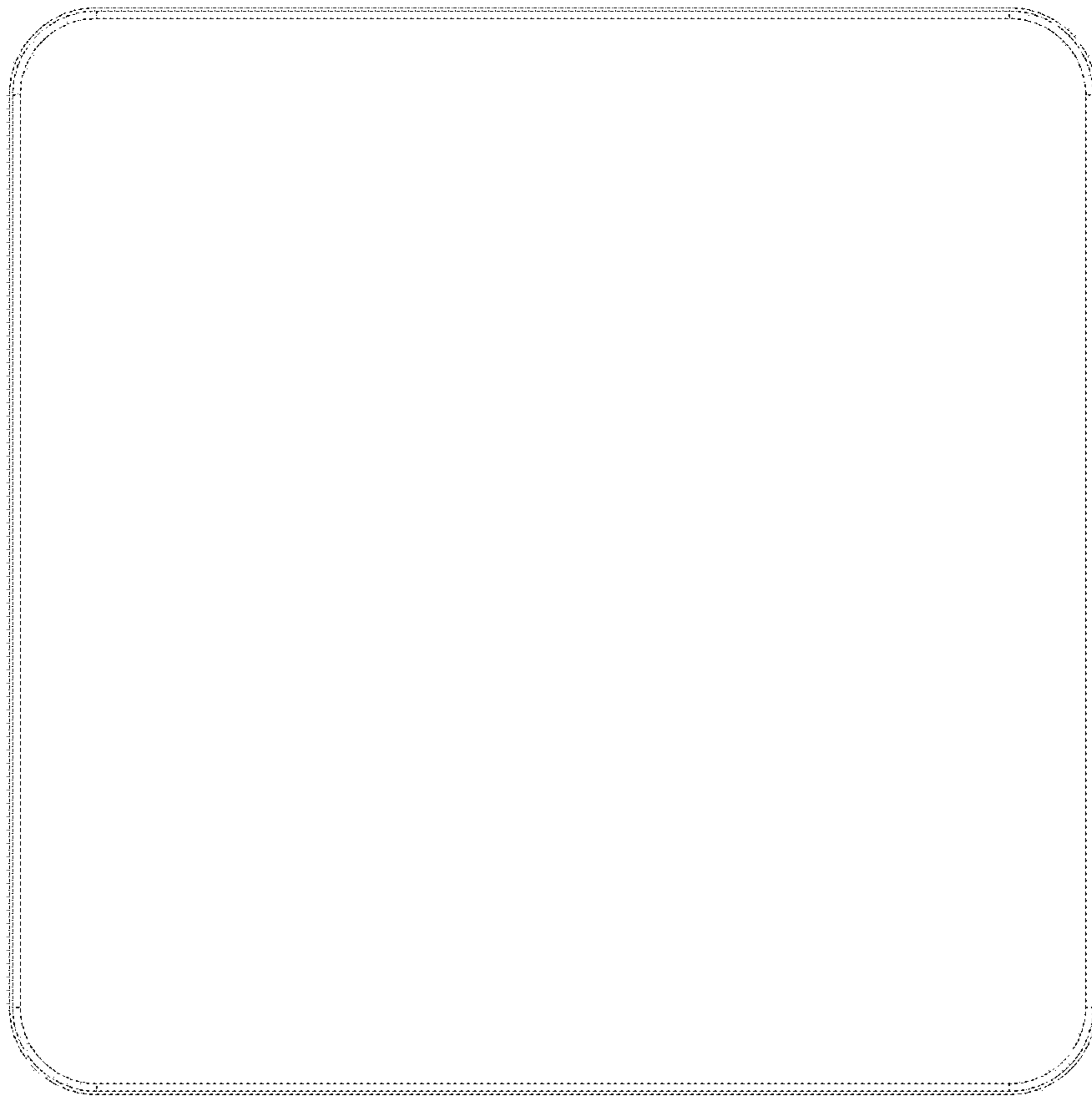


FIG. 15

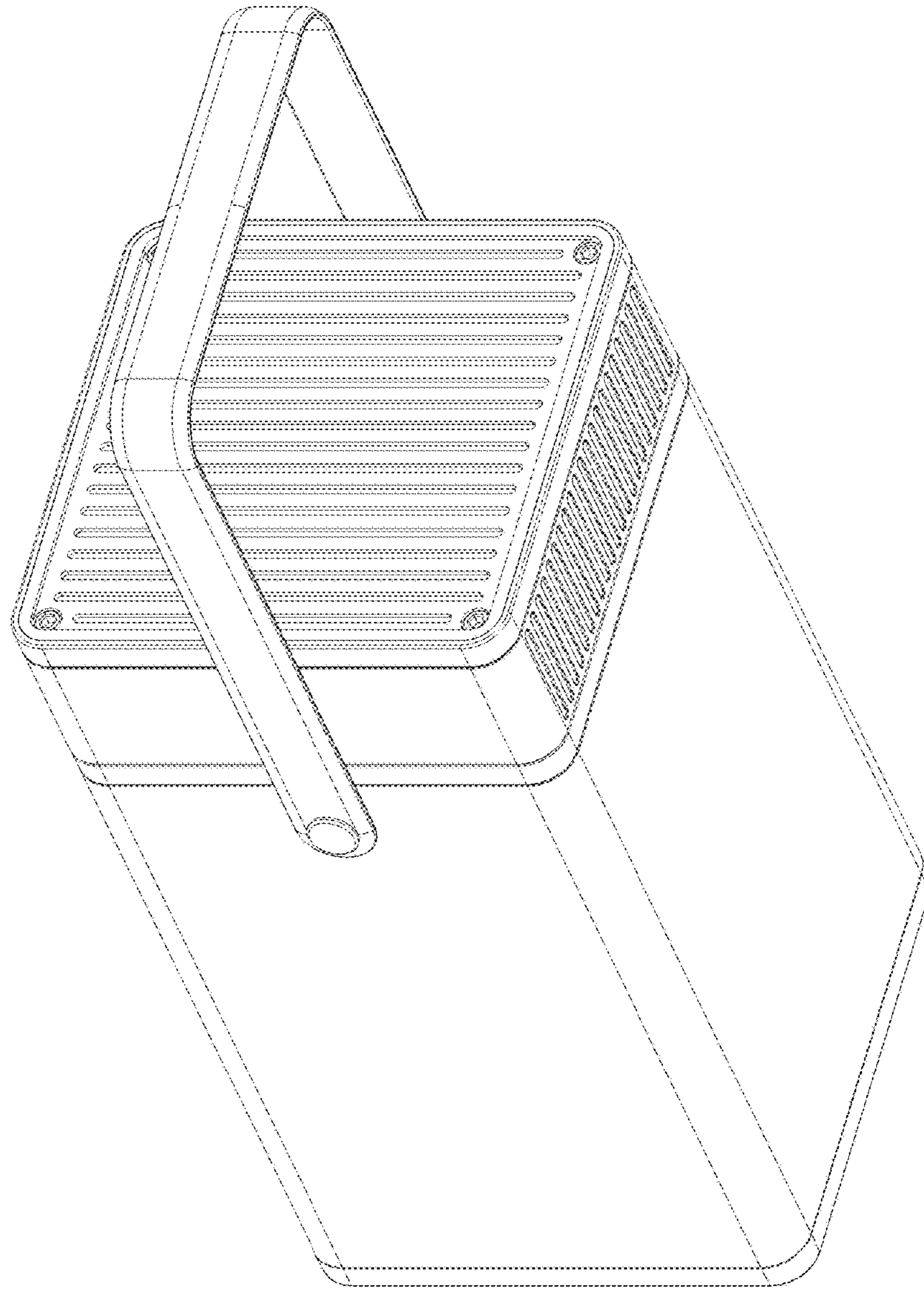


FIG. 16

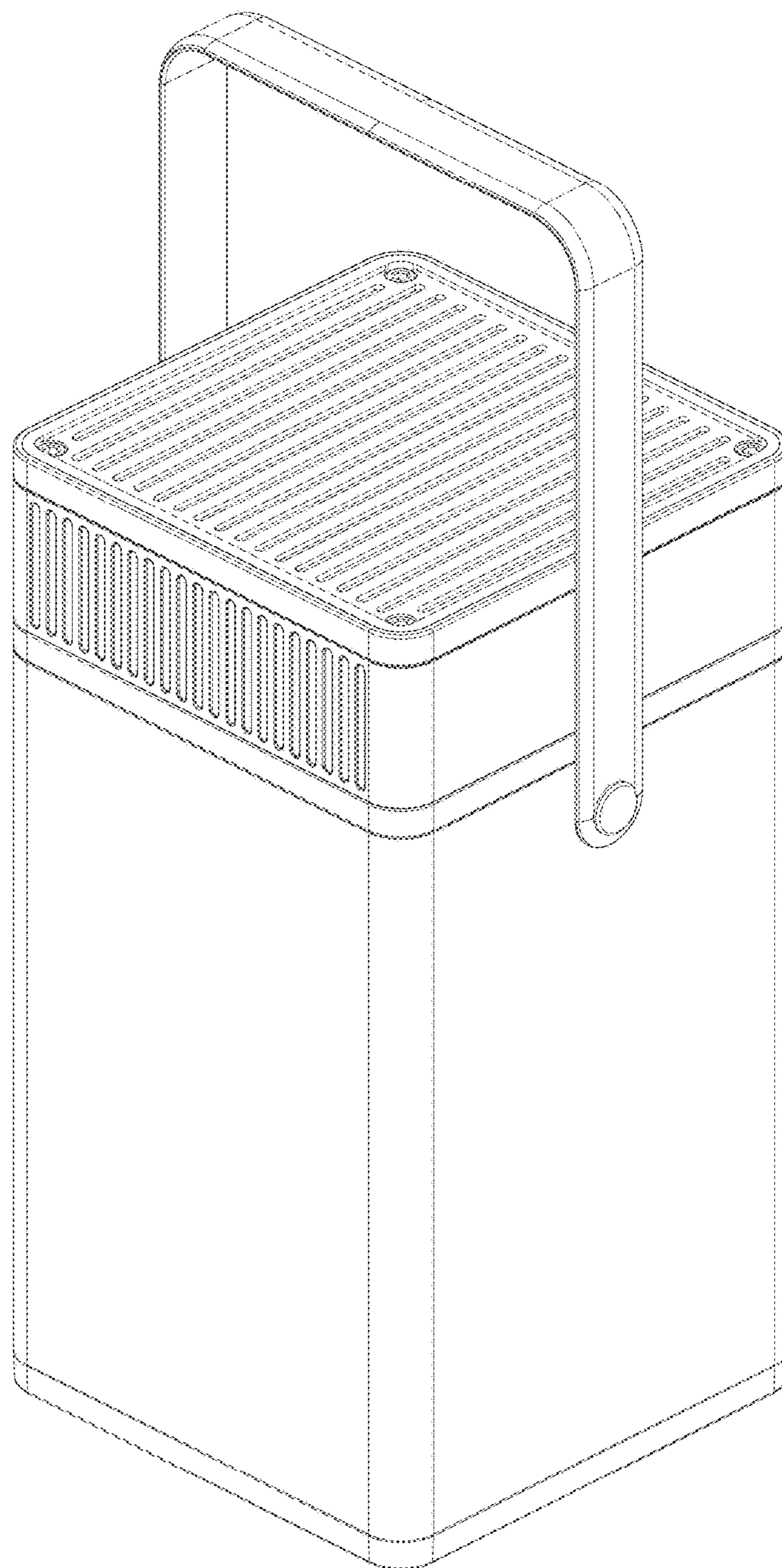


FIG.17

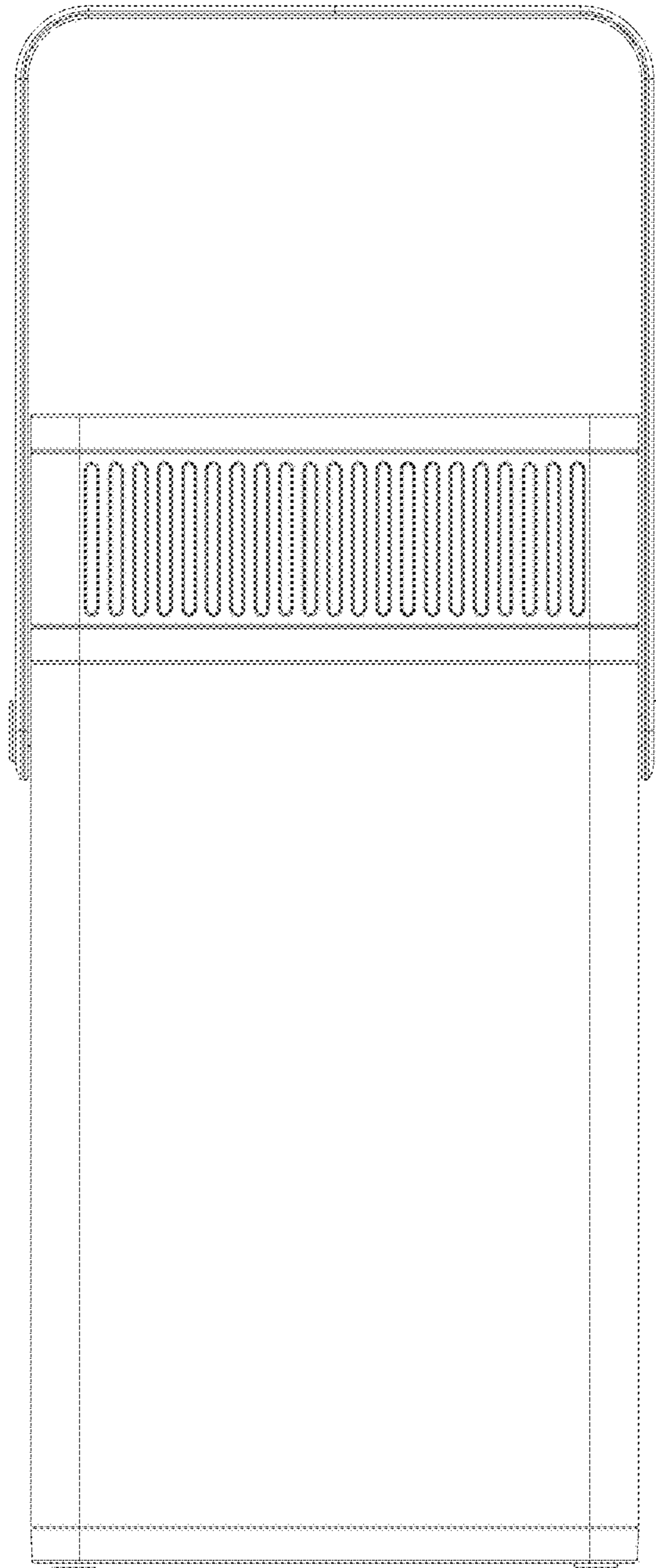


FIG. 18

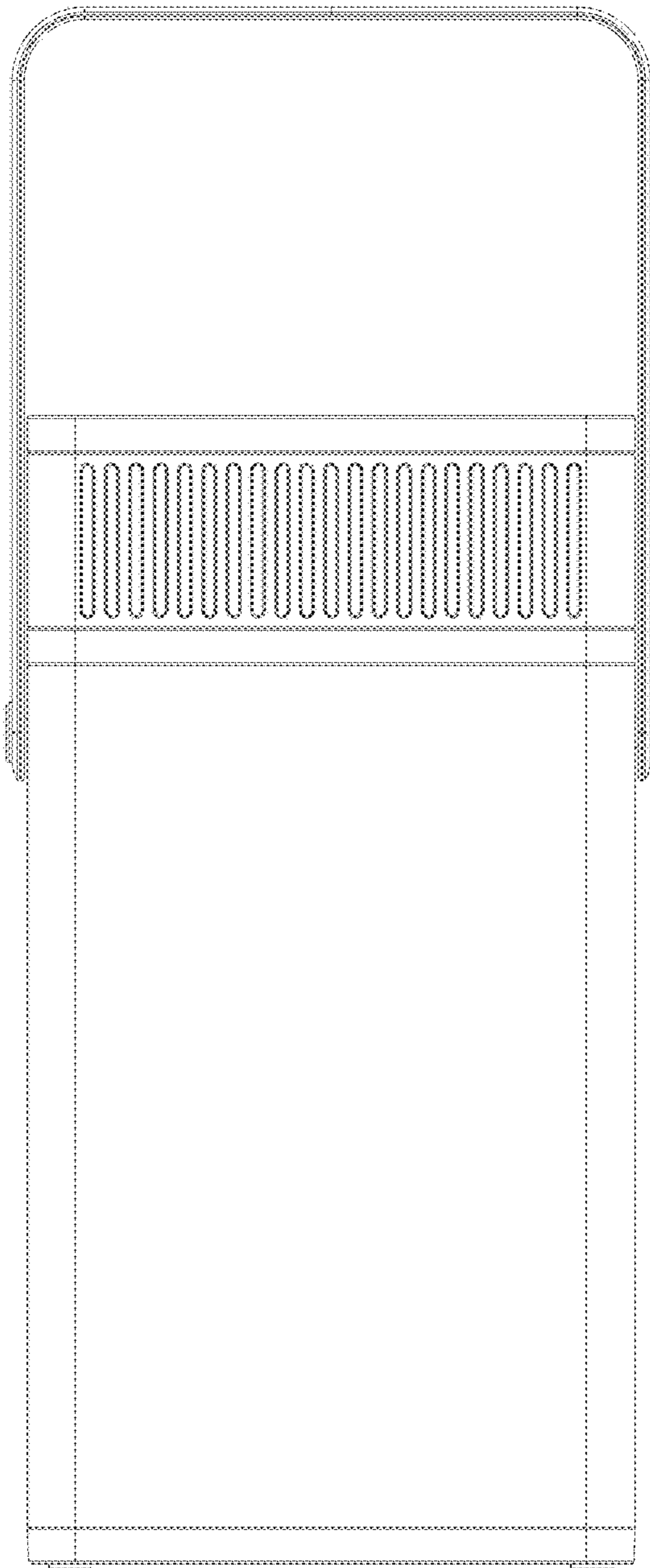


FIG. 19

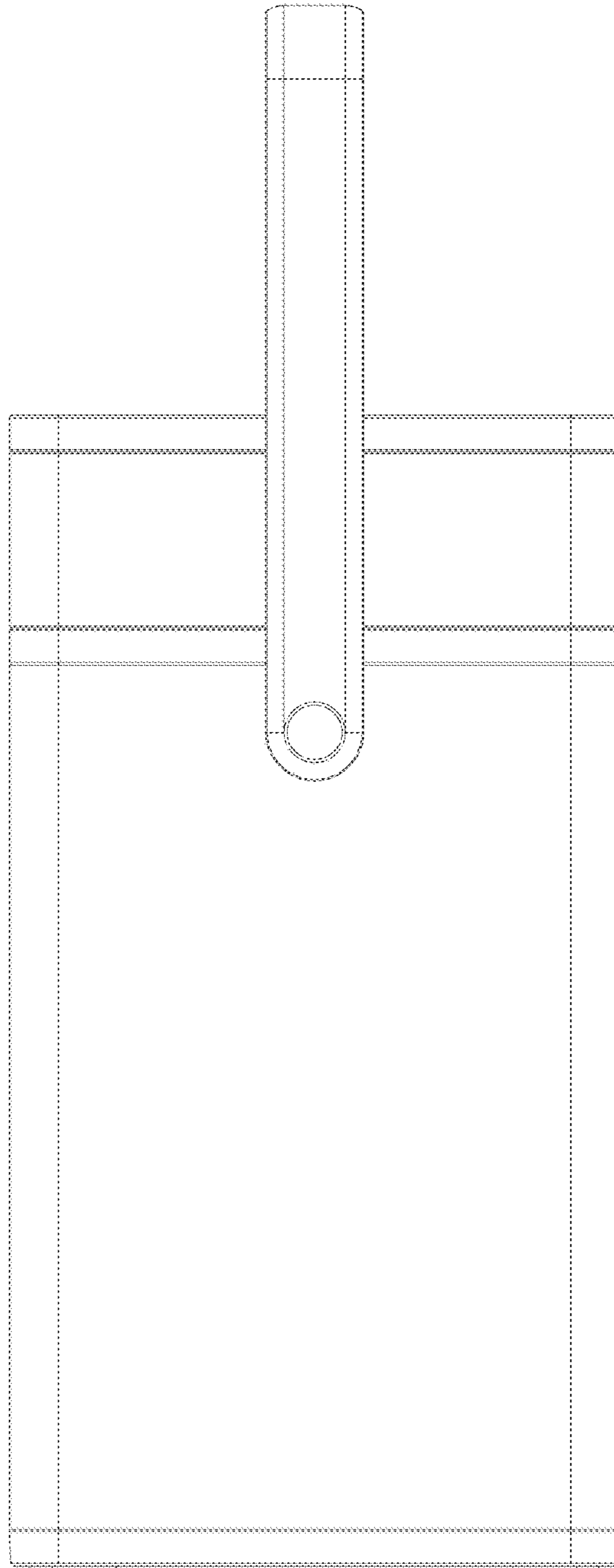


FIG.20

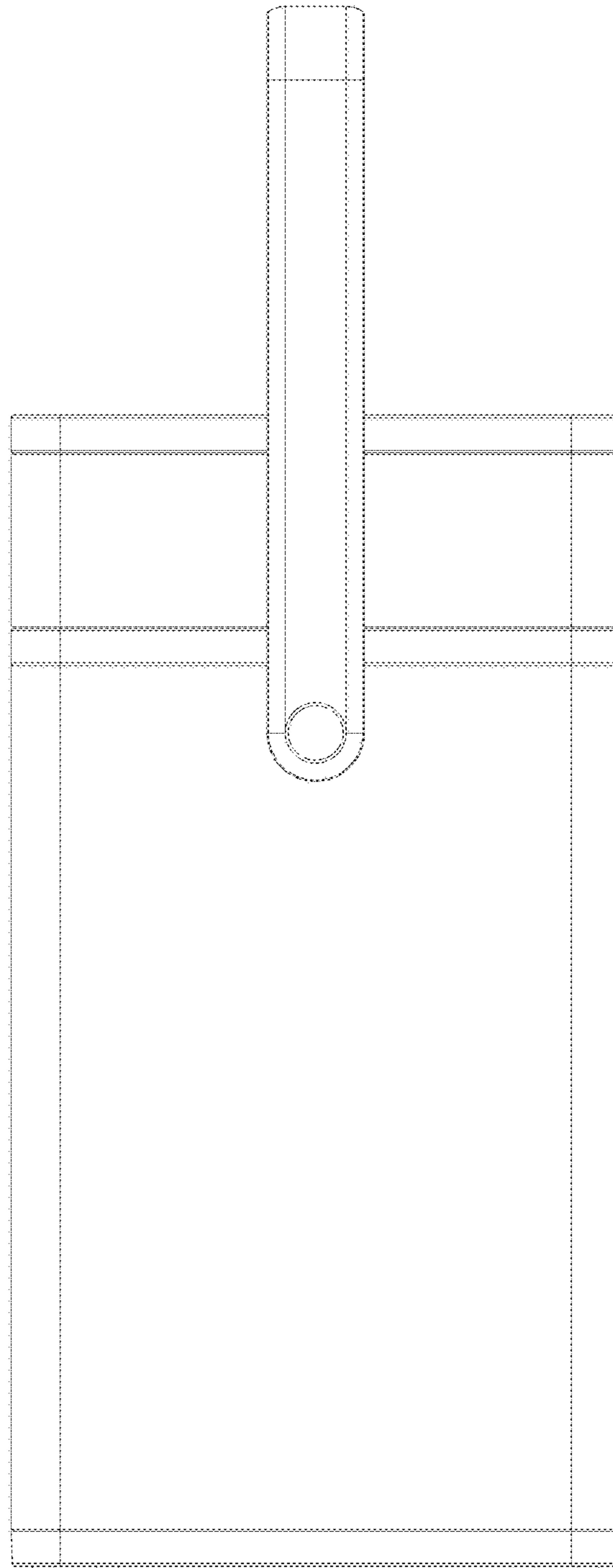


FIG. 21

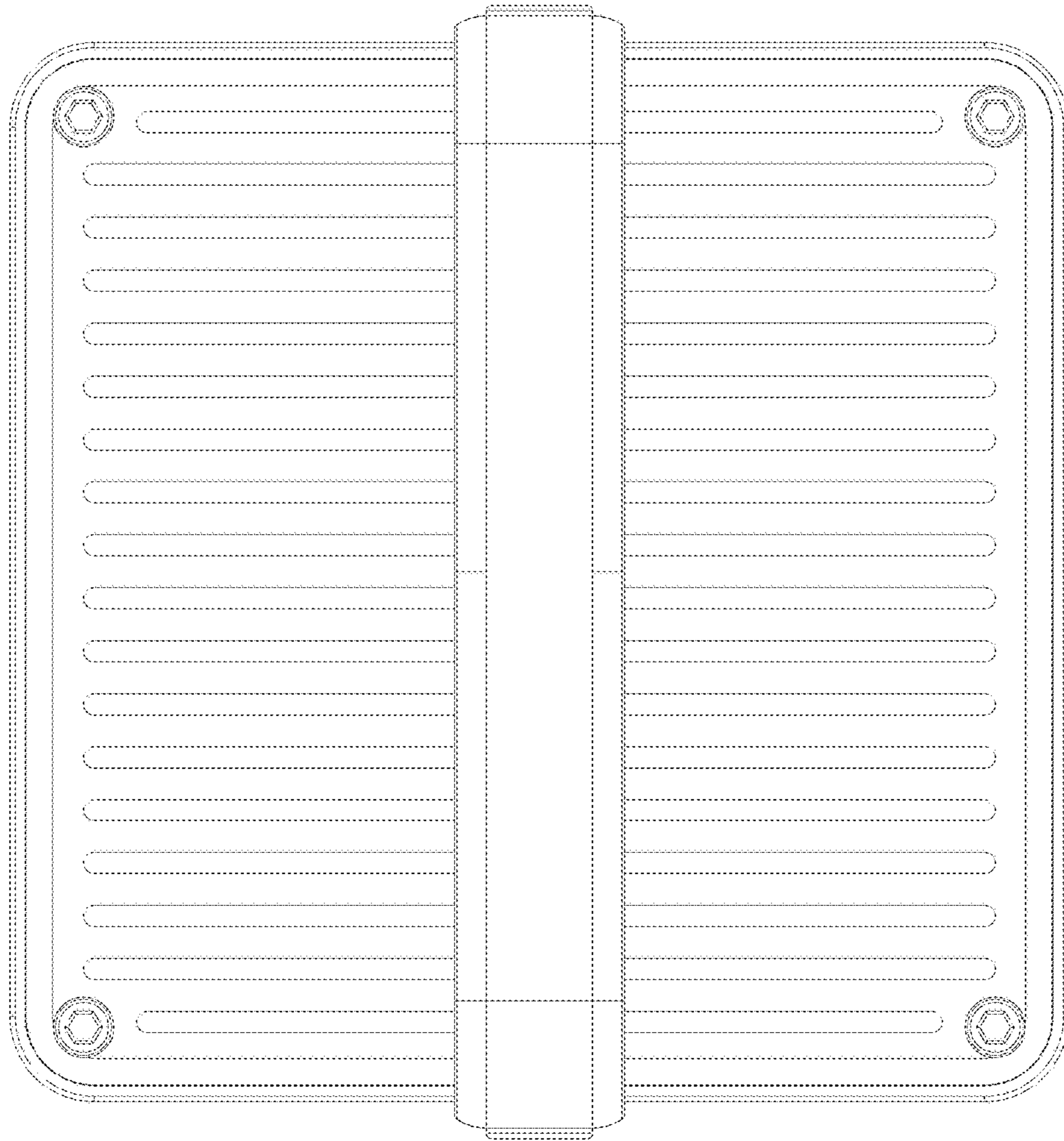


FIG.22



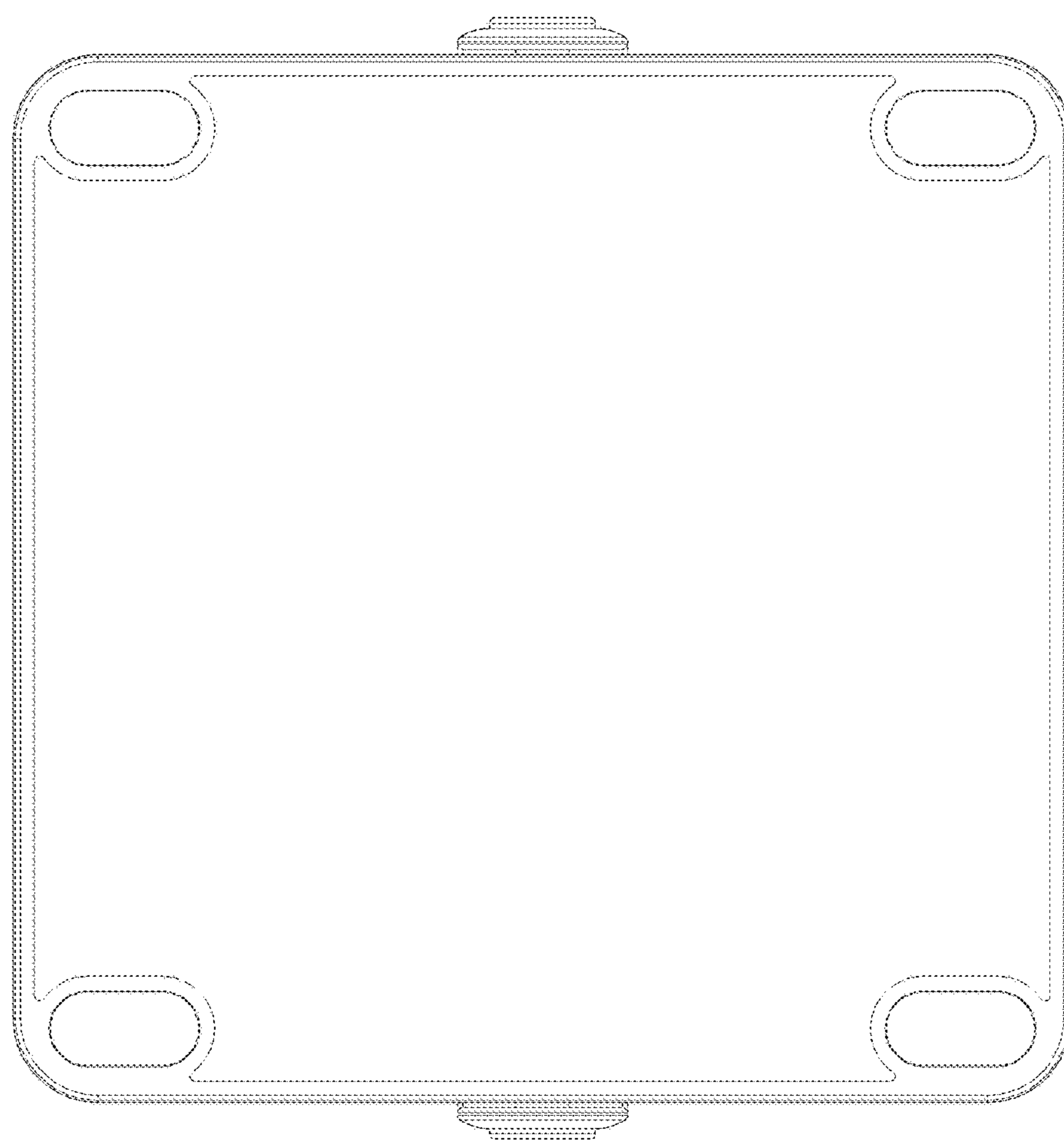


FIG. 23