



US00D845232S

(12) **United States Design Patent**
Harden et al.

(10) **Patent No.:** **US D845,232 S**

(45) **Date of Patent:** **** Apr. 9, 2019**

(54) **CHARGING BASE**

(71) Applicant: **DISRUPTIVE FORCE LLC**,
Campbell, CA (US)

(72) Inventors: **Dan Harden**, Palo Alto, CA (US); **Cole Derby**, East Palo Alto, CA (US)

(73) Assignee: **Disruptive Force LLC**, Campbell, CA (US)

(**) Term: **15 Years**

(21) Appl. No.: **29/594,443**

(22) Filed: **Feb. 17, 2017**

(51) **LOC (11) Cl.** **13-02**

(52) **U.S. Cl.**
USPC **D13/108**

(58) **Field of Classification Search**
USPC D13/107–110, 118–119, 184; D14/251,
D14/253, 432, 434
CPC Y02E 60/12; Y02T 90/14; Y02T 90/122;
Y02T 90/128; Y02T 90/163; H02J 7/025;
H02J 7/0042; H02J 7/0044; H02J 7/0045;
H02J 7/0003; H01F 38/14; H01R
13/6675; H01M 2/1022; H01M 2/1055;
H01M 10/44; H01M 10/46; H01M
10/425; B60L 11/182

See application file for complete search history.

(56) **References Cited**

U.S. PATENT DOCUMENTS

D342,718 S * 12/1993 Mackay D13/108
D521,927 S * 5/2006 Franck D13/108
D640,193 S * 6/2011 Shigeno D13/108
D651,169 S * 12/2011 Zhuan D13/108

D676,377 S * 2/2013 Nokuo D13/108
D704,634 S * 5/2014 Eidelman D13/108
D768,570 S * 10/2016 Shigeno D13/108
D775,621 S * 1/2017 Corrado D14/253
D797,042 S * 9/2017 Miller D13/107
D820,782 S * 6/2018 Wang D13/107
2017/0187212 A1 * 6/2017 Hemesath H02J 7/0044

* cited by examiner

Primary Examiner — Rosemary K Tarcza

Assistant Examiner — Nathaniel D. Buckner

(74) *Attorney, Agent, or Firm* — Jacobsen IP Law

(57) **CLAIM**

The ornamental design for a charging base, as shown and described.

DESCRIPTION

FIG. 1 is a perspective view of the charging base showing our new design.

FIG. 2 is a front view of the charging base showing our new design.

FIG. 3 is a back view of the charging base showing our new design.

FIG. 4 is a top view of the charging base showing our new design.

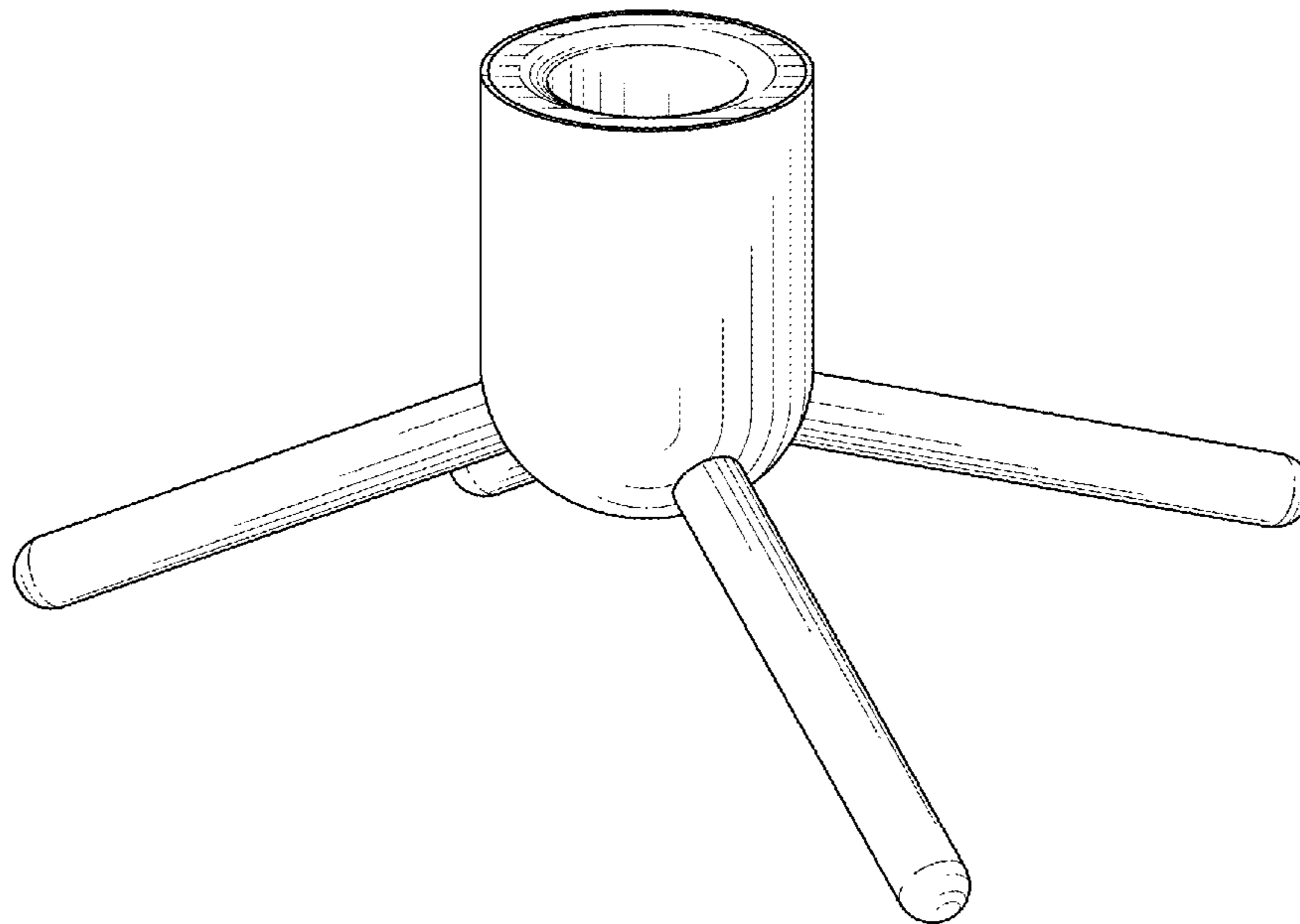
FIG. 5 is a bottom view of the charging base showing our new design; and,

FIG. 6 is a perspective view of the charging base, shown in an environment of use.

The left and right views of the charging base are identical to the front view illustrated in FIG. 2.

The broken lines in the figures depict environmental subject matter that forms no part of the claimed design.

1 Claim, 5 Drawing Sheets



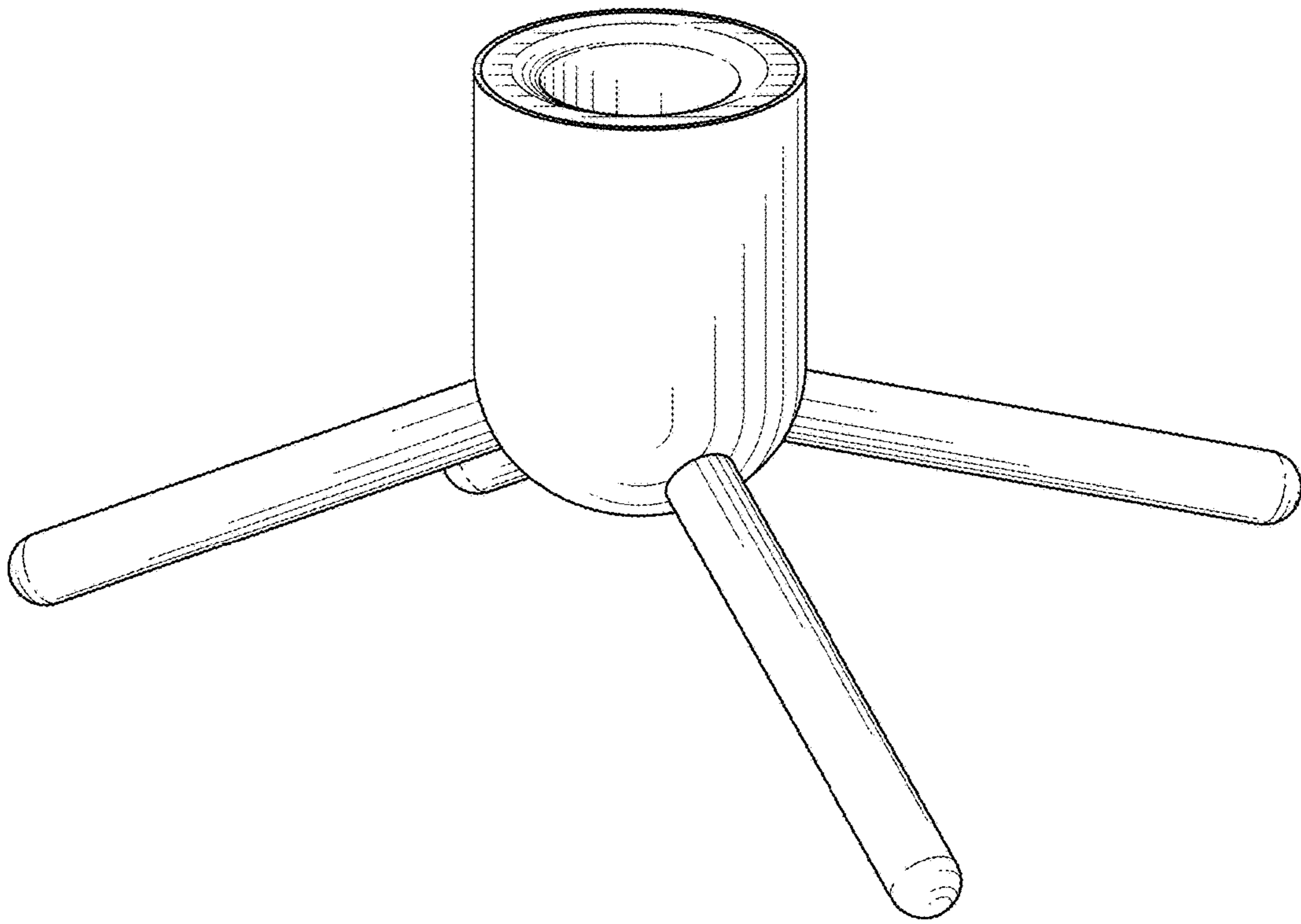


FIG. 1

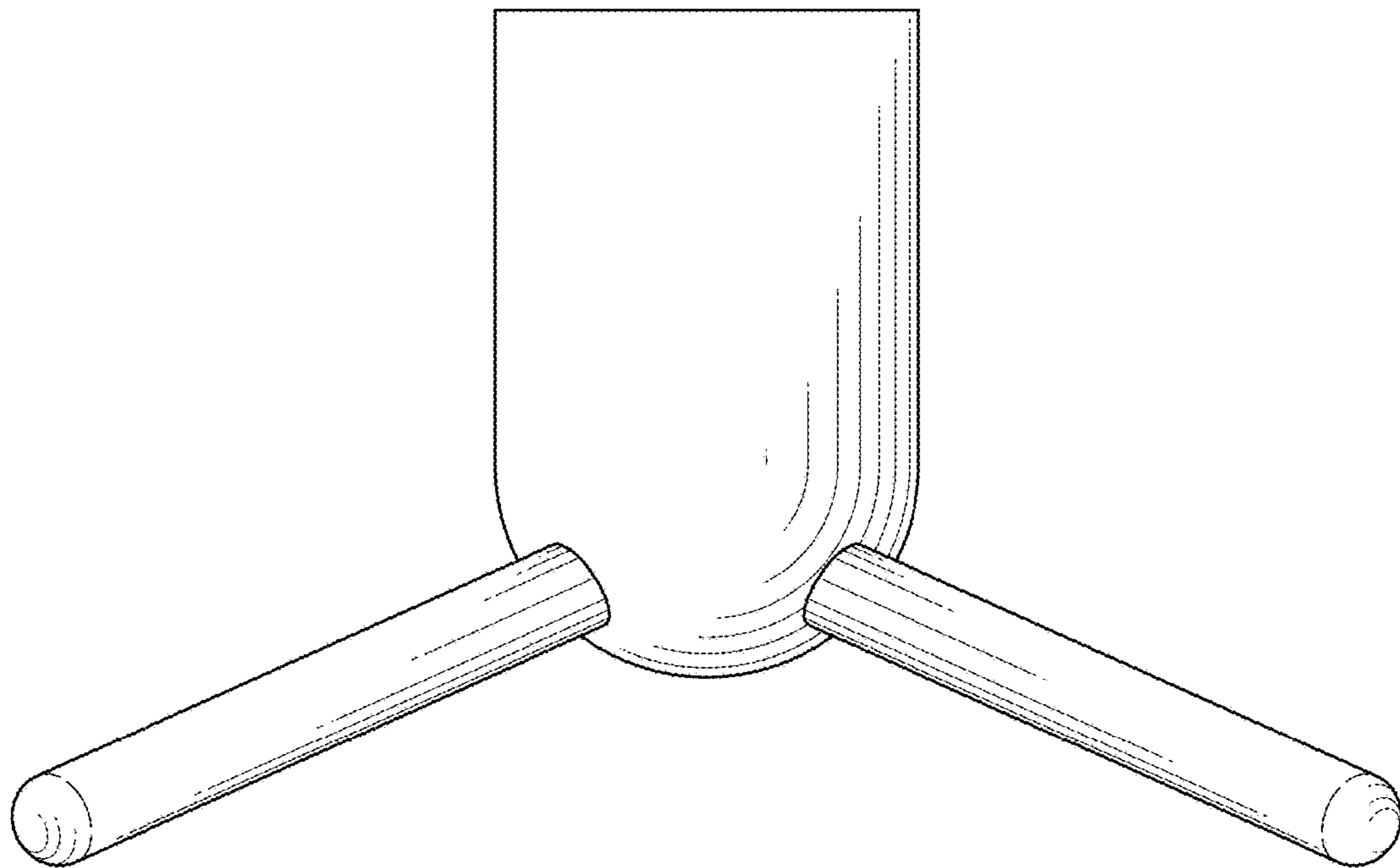


FIG. 2

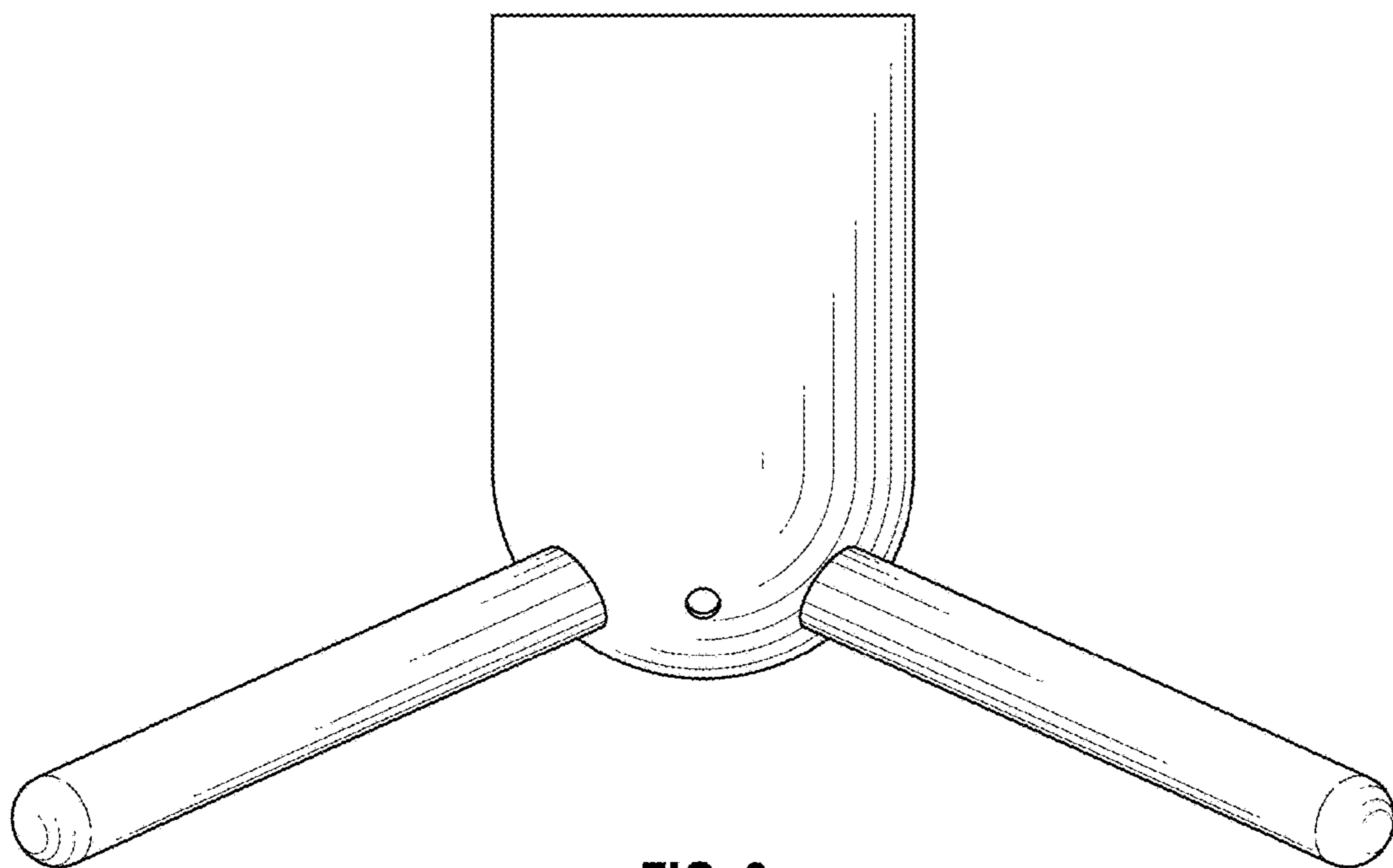


FIG. 3

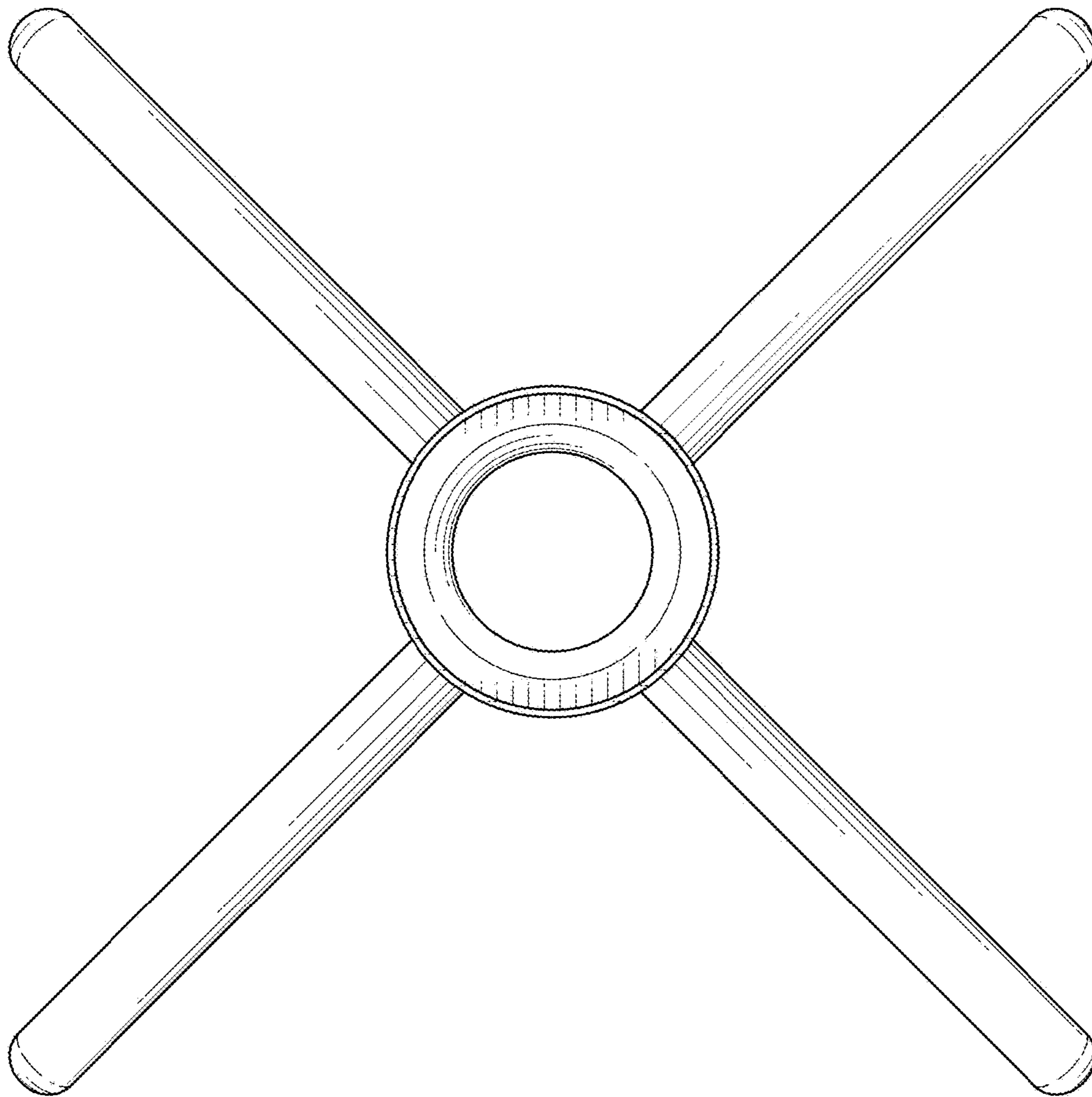


FIG. 4

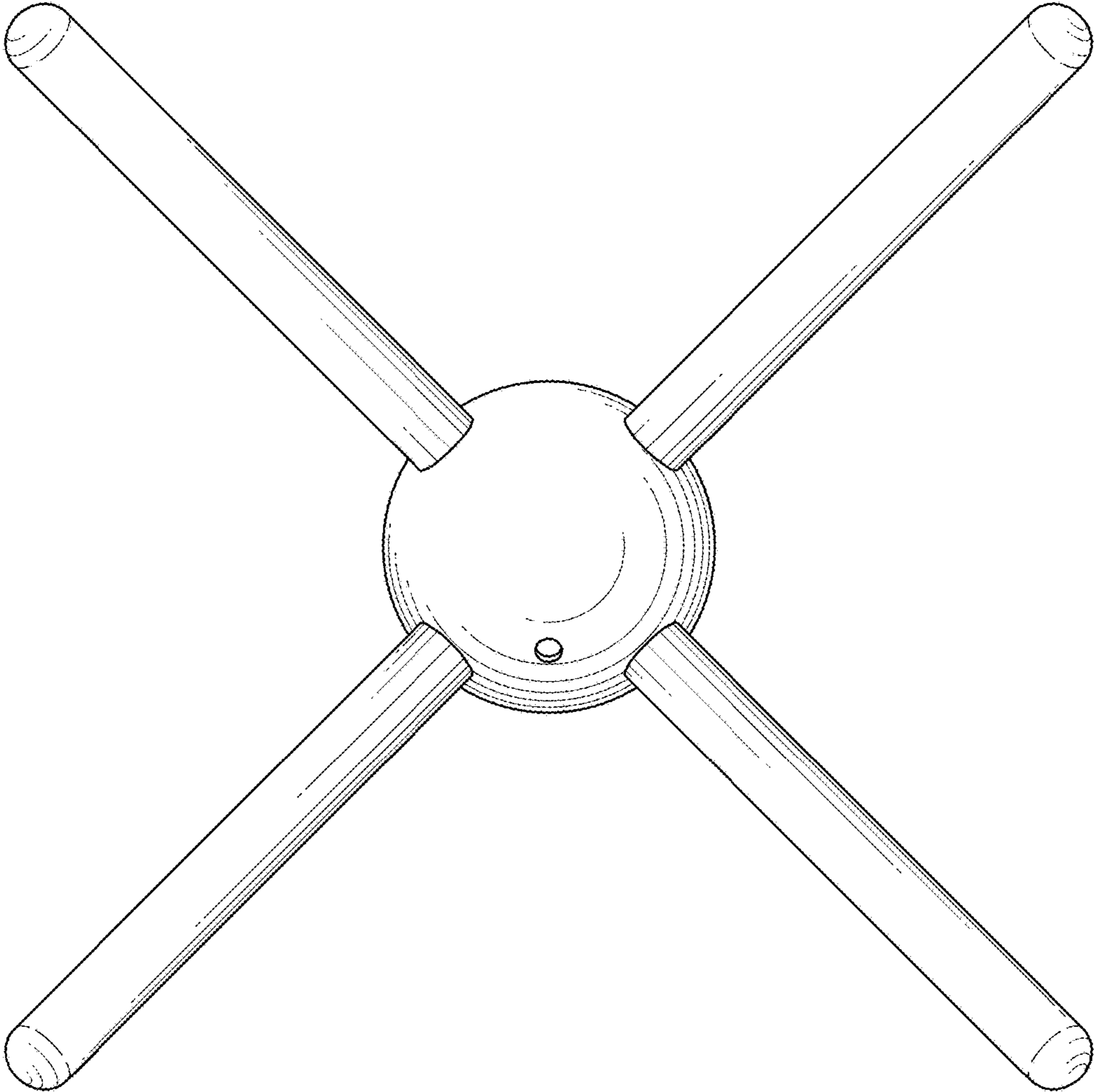


FIG. 5

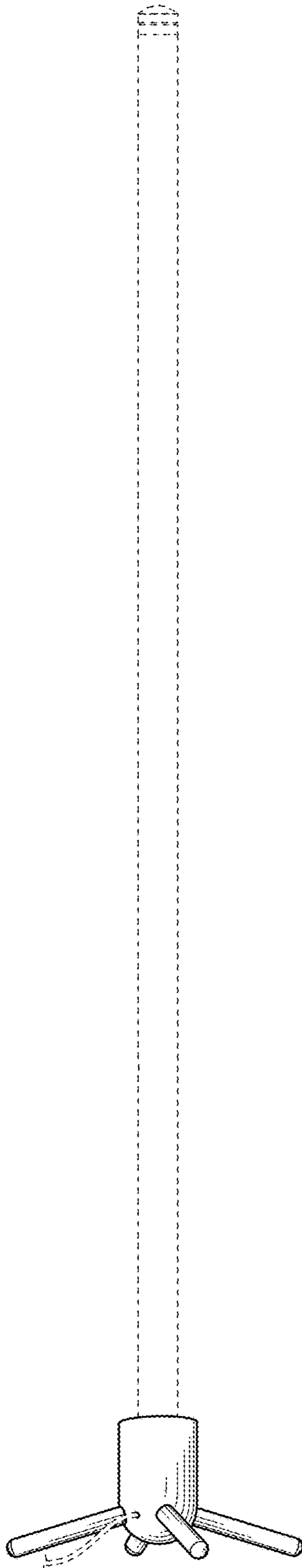


FIG. 6