



US00D845231S

(12) **United States Design Patent**  
**Chen**

(10) **Patent No.:** **US D845,231 S**

(45) **Date of Patent:** **\*\* Apr. 9, 2019**

(54) **VEHICLE CHARGER**

(71) Applicant: **TANG YANG DIES CO., LTD.**, New Taipei (TW)

(72) Inventor: **Hsu-Chen Chen**, New Taipei (TW)

(73) Assignee: **TANG YANG DIES CO., LTD.**, New Taipei (TW)

(\*\*) Term: **15 Years**

(21) Appl. No.: **29/618,339**

(22) Filed: **Sep. 20, 2017**

(51) **LOC (11) Cl.** ..... **13-02**

(52) **U.S. Cl.**  
USPC ..... **D13/107; D13/144**

(58) **Field of Classification Search**  
USPC ..... D13/107, 110, 133, 144, 184; D14/155  
CPC ..... Y02E 60/12; Y02T 90/14; Y02T 90/122;  
Y02T 90/128; Y02T 90/163; H02J 7/025;  
H02J 7/0042; H02J 7/0044; H02J 7/0045;  
H02J 7/0003; H02J 7/0054; H02J 7/0055;  
H02J 7/0057; H01F 38/14; H01R  
13/6675; H01R 13/70; H01R 13/71;  
H01R 13/66; H01R 13/26; H01M 2/1022;  
H01M 2/1055; H01M 10/44; H01M  
10/46; H01M 10/425; B60L 11/182;  
H05K 11/02

See application file for complete search history.

(56) **References Cited**

**U.S. PATENT DOCUMENTS**

D456,349 S \* 4/2002 Chuang ..... D13/107  
6,478,628 B1 \* 11/2002 Ming ..... B60N 3/14  
439/640  
D526,962 S \* 8/2006 Krieger ..... D13/144

D551,166 S \* 9/2007 Dayan ..... D13/110  
D556,730 S \* 12/2007 Yokoyama ..... D14/155  
D559,776 S \* 1/2008 Kim ..... D13/108  
D591,277 S \* 4/2009 Sarasjoki ..... D13/144  
D627,720 S \* 11/2010 DuMelle ..... D13/110  
D644,990 S \* 9/2011 Tseng ..... D13/108  
D670,249 S \* 11/2012 Inskip ..... D13/110  
D687,378 S \* 8/2013 Iacovelli ..... D13/110  
D717,305 S \* 11/2014 Alesi ..... D14/433  
D823,806 S \* 7/2018 Xu ..... D13/144

\* cited by examiner

*Primary Examiner* — Rosemary K Tarca

*Assistant Examiner* — Nathaniel D. Buckner

(74) *Attorney, Agent, or Firm* — Chun-Ming Shih; HDLS IPR Services

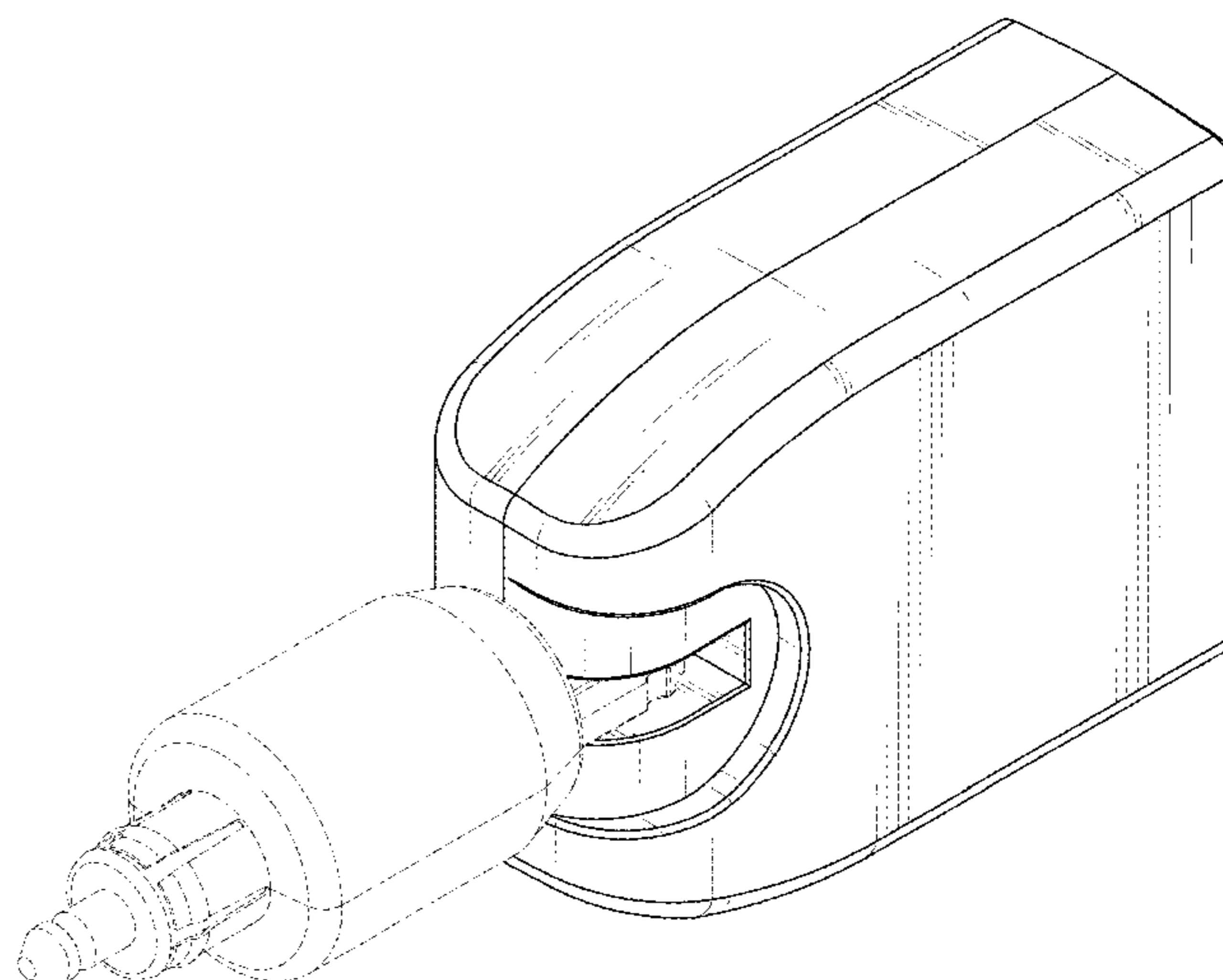
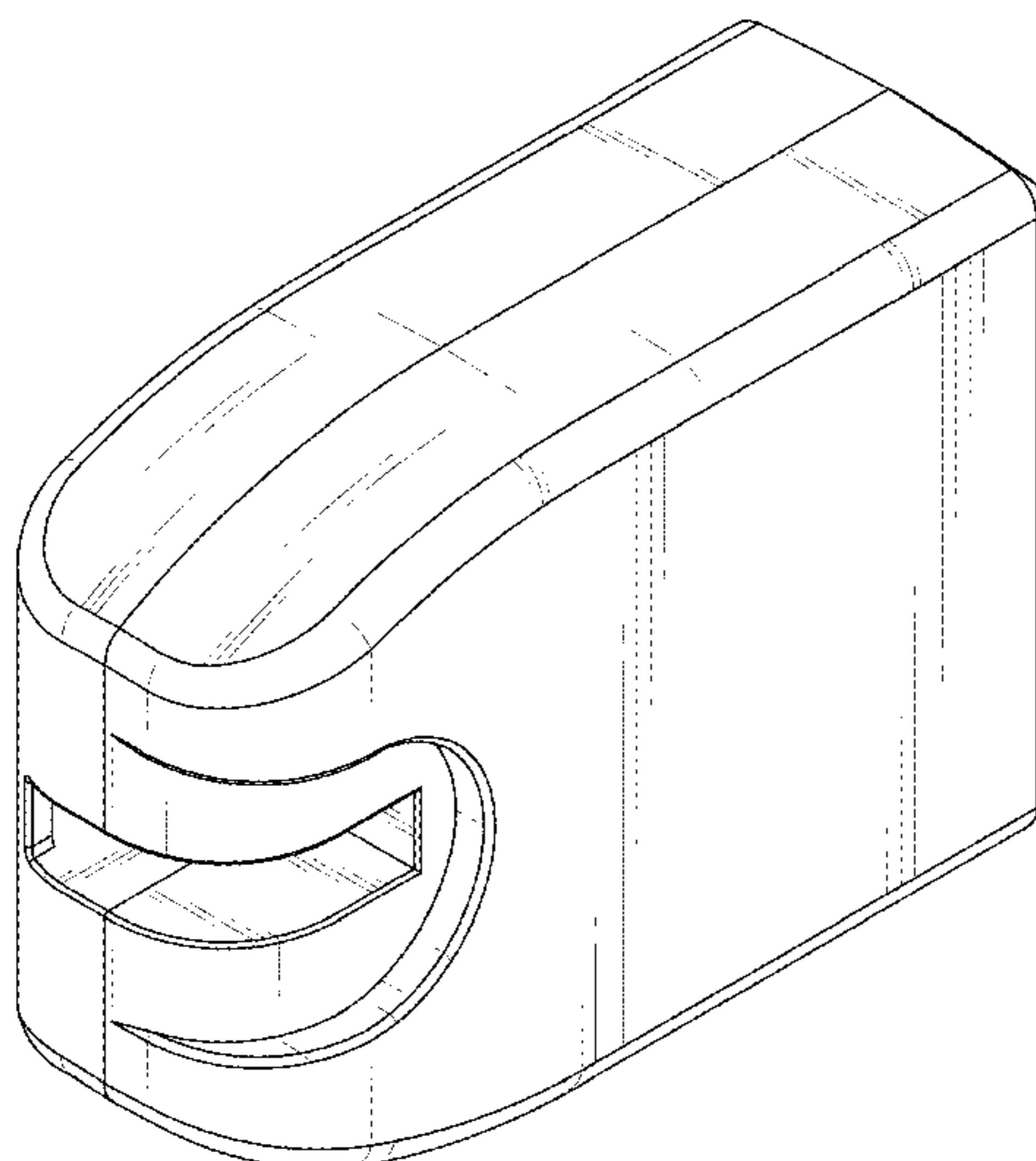
(57) **CLAIM**

The ornamental design for a vehicle charger, as shown and described.

**DESCRIPTION**

FIG. 1 is a rear perspective view of a vehicle charger showing my new design;  
FIG. 2 is a front view thereof;  
FIG. 3 is a rear view thereof;  
FIG. 4 is a left side view thereof;  
FIG. 5 is a right side view thereof;  
FIG. 6 is a top view thereof;  
FIG. 7 is a bottom view thereof; and  
FIG. 8 is a front perspective view thereof;  
FIG. 9 is a second rear perspective view thereof, shown in an environment of use; and,  
FIG. 10 is a third rear perspective view thereof shown in an alternate environment of use.  
The broken lines in the figures depict portions of the article which form no part of the claimed design.

**1 Claim, 10 Drawing Sheets**



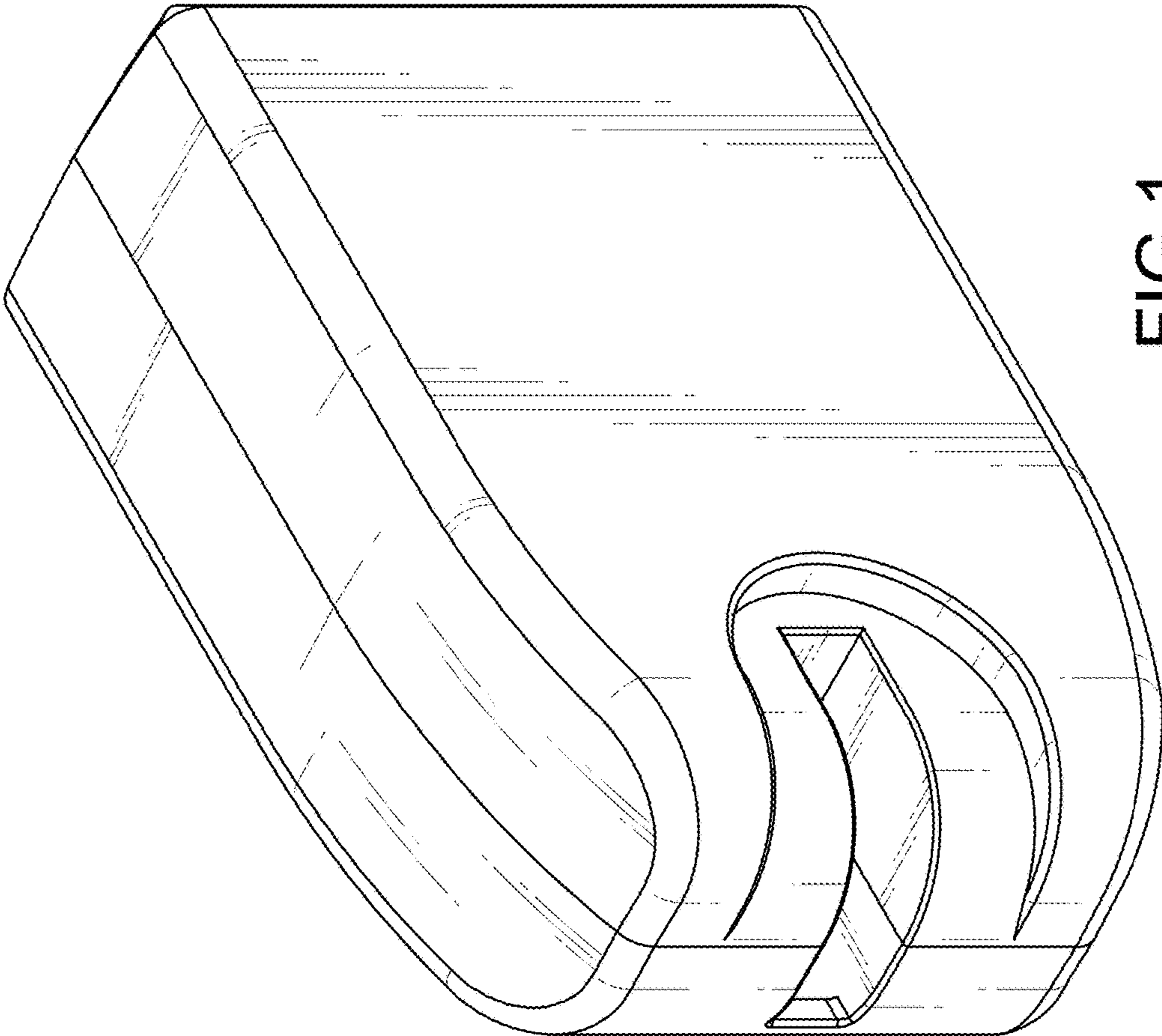


FIG.1

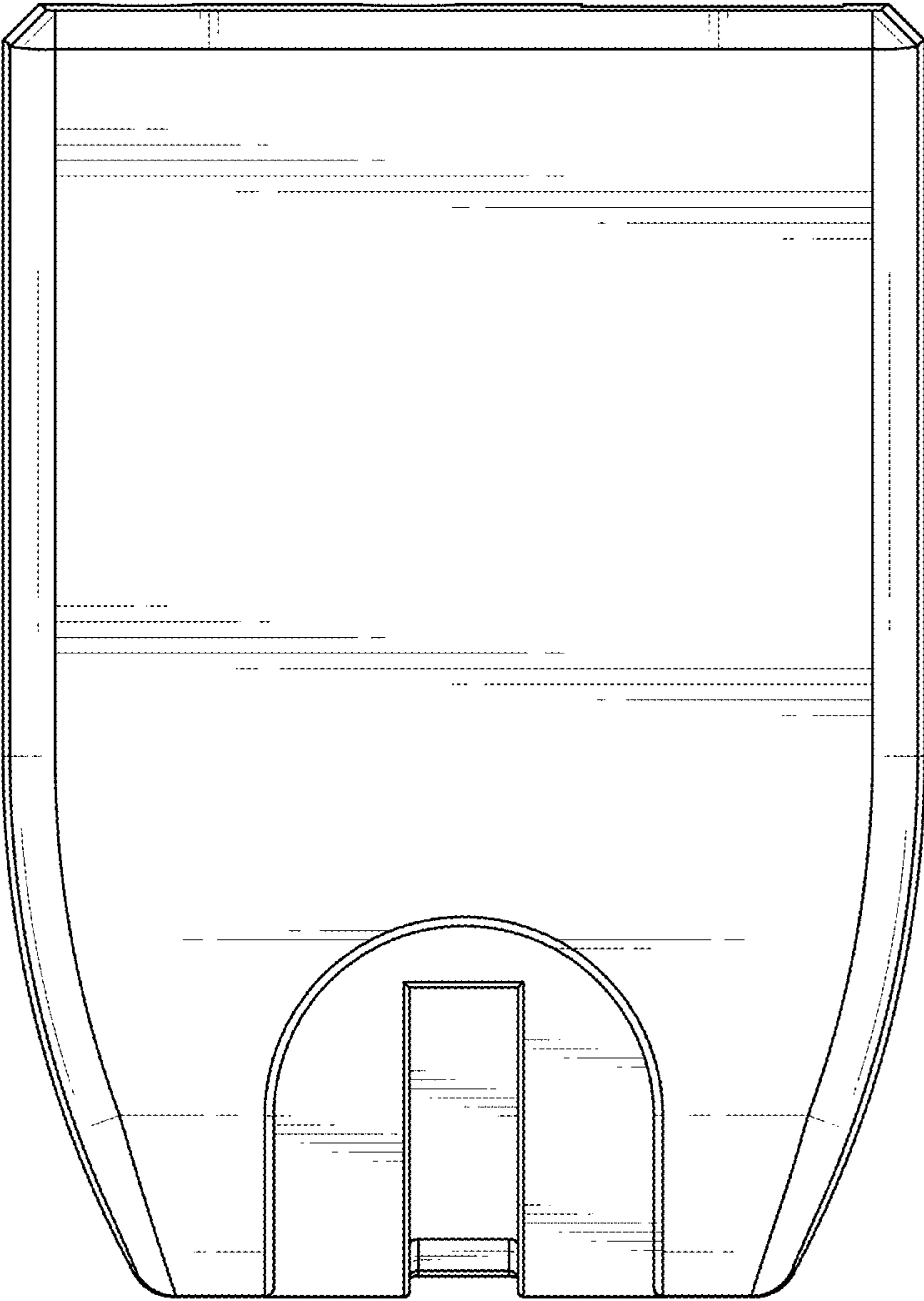


FIG.2

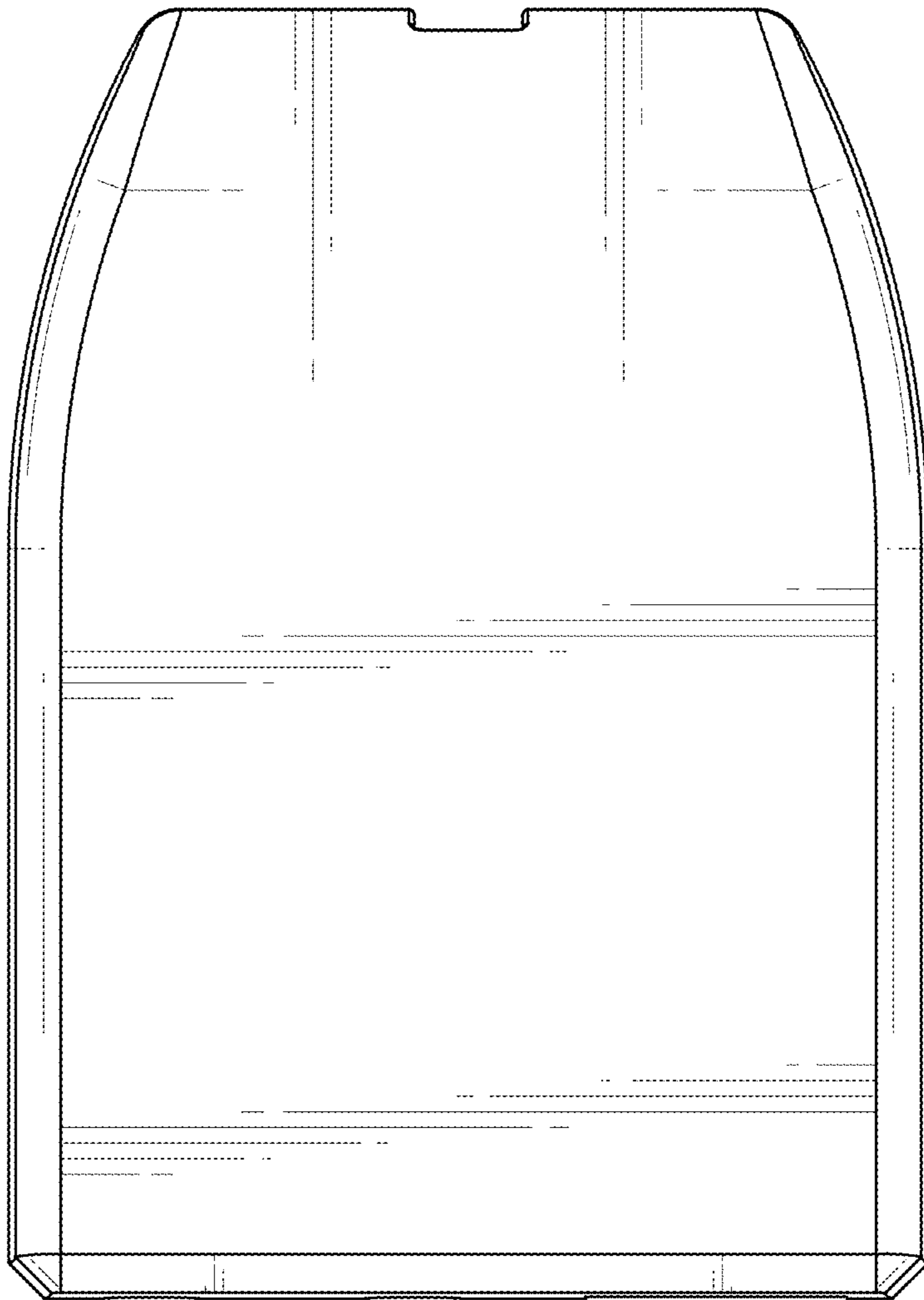


FIG.3

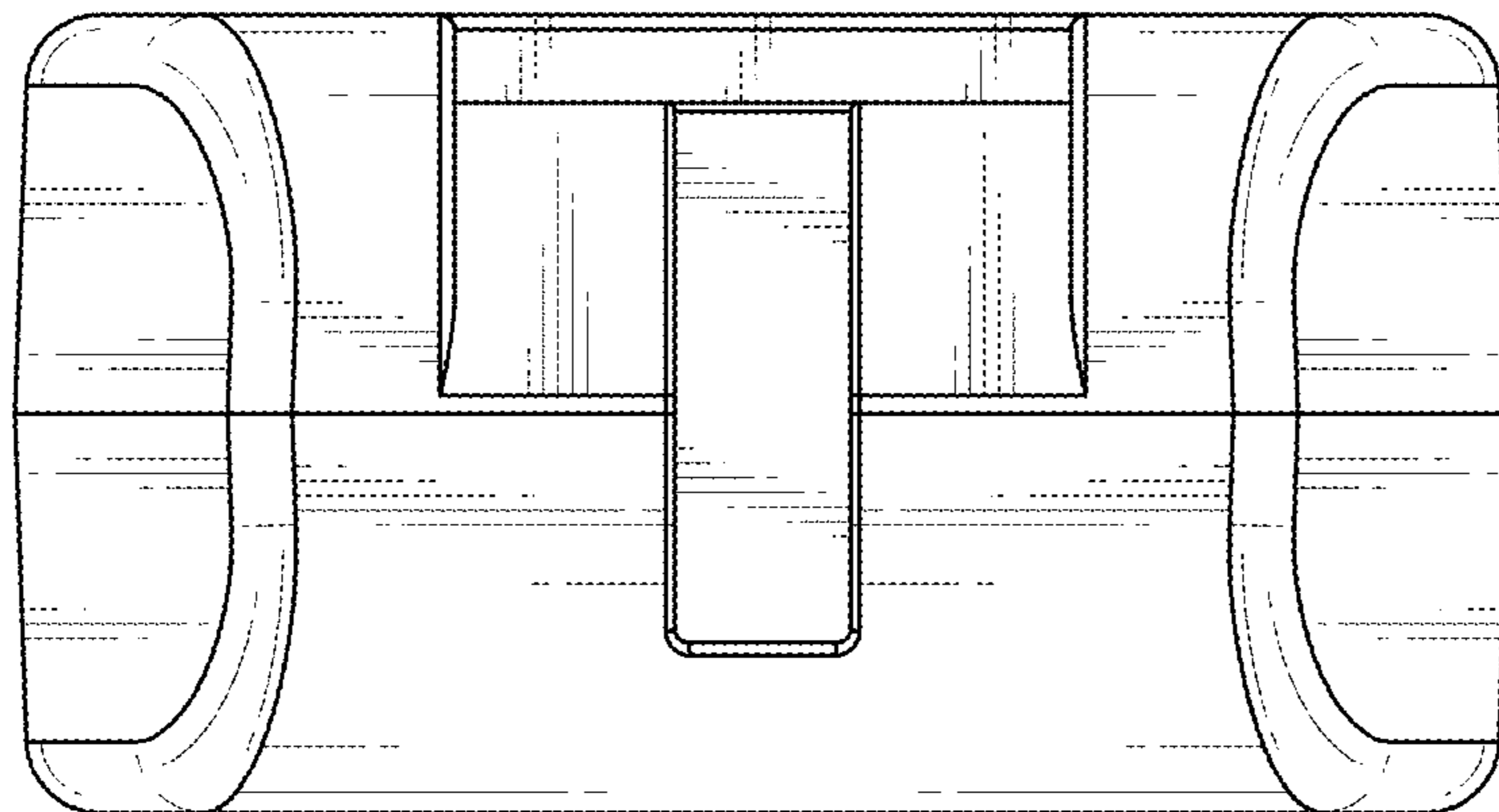


FIG.4

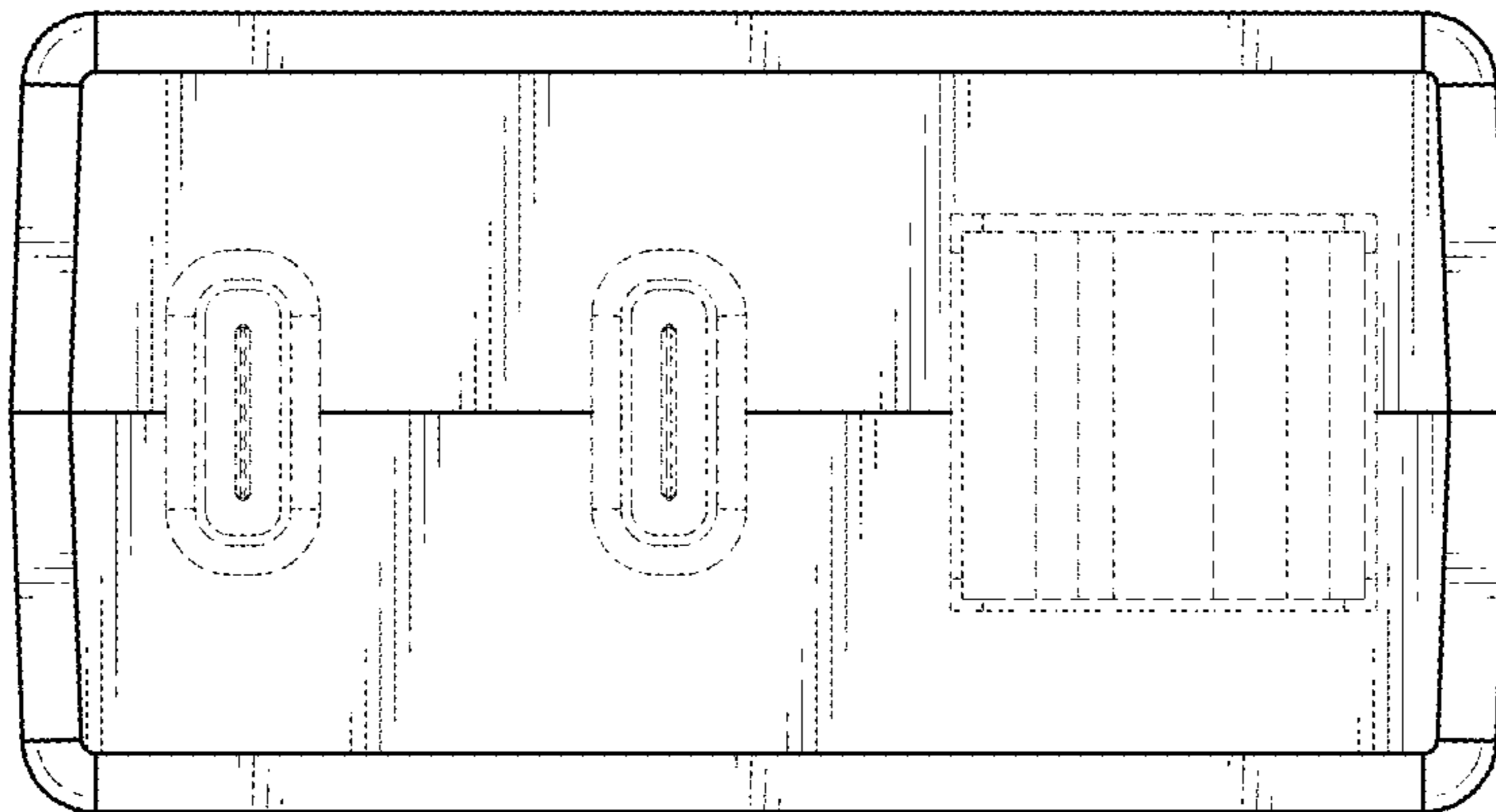


FIG.5

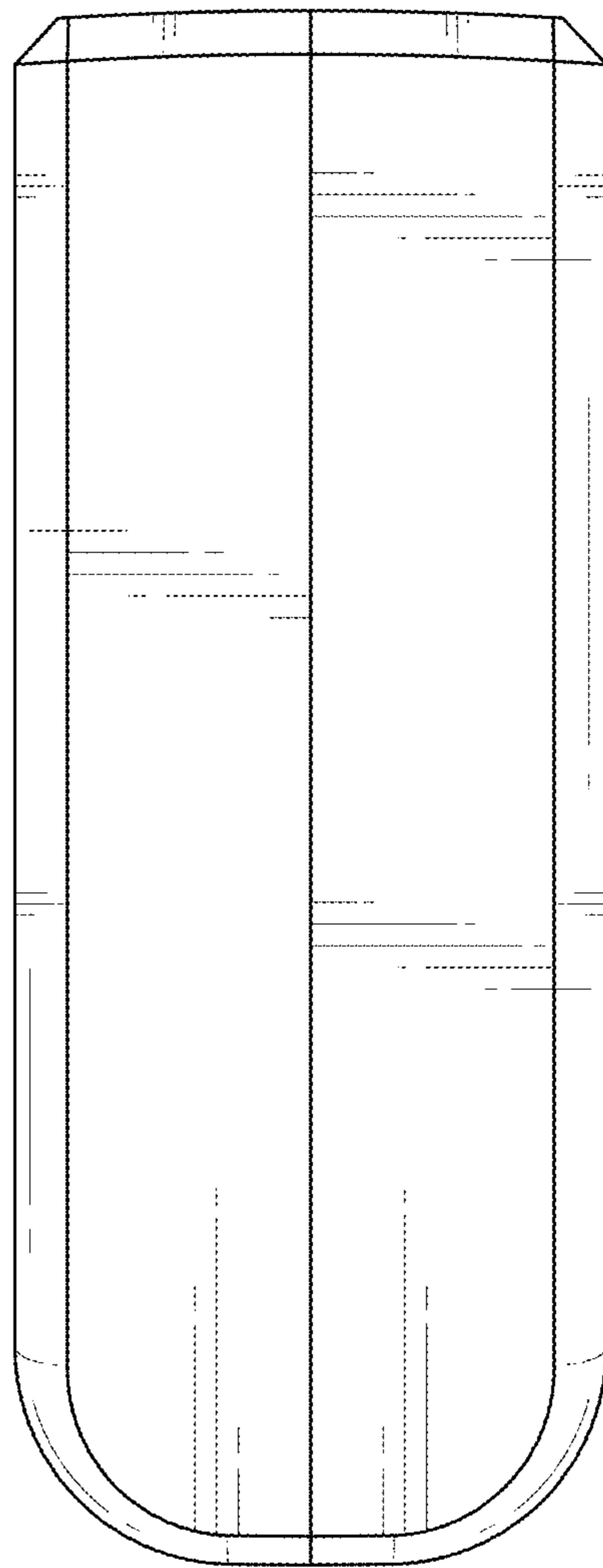


FIG.6



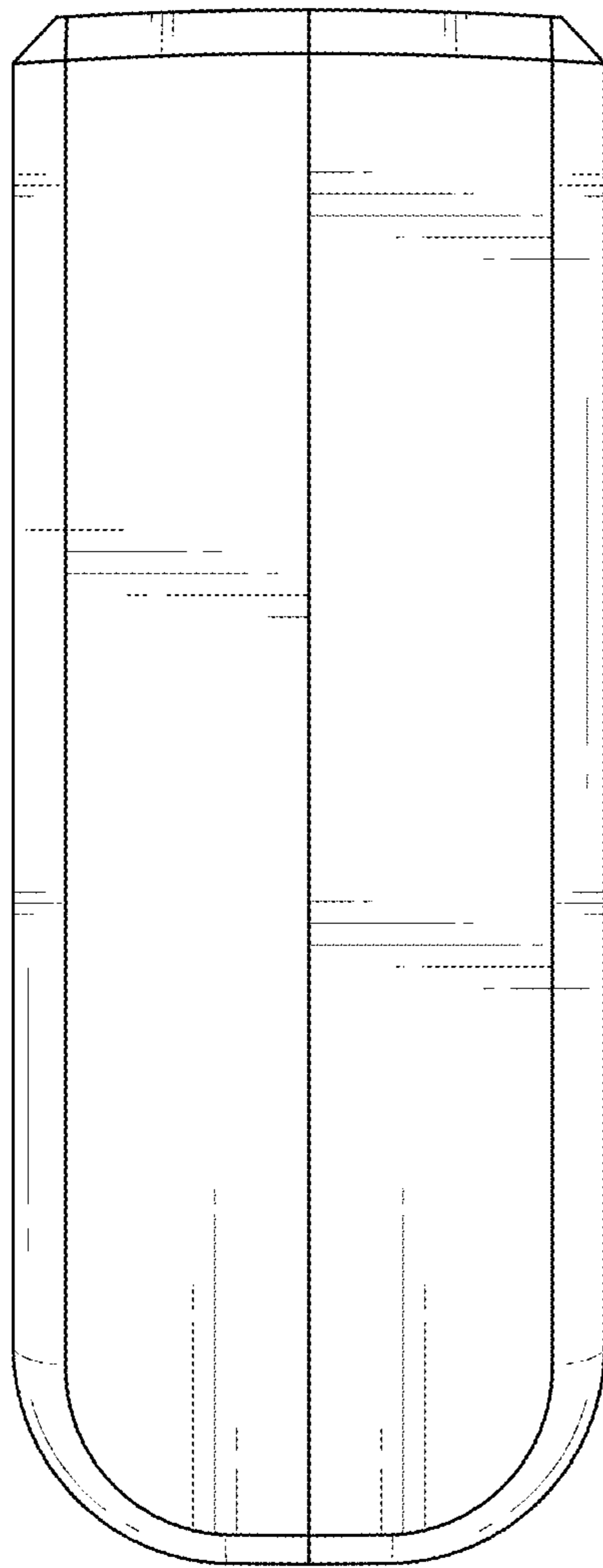


FIG.7





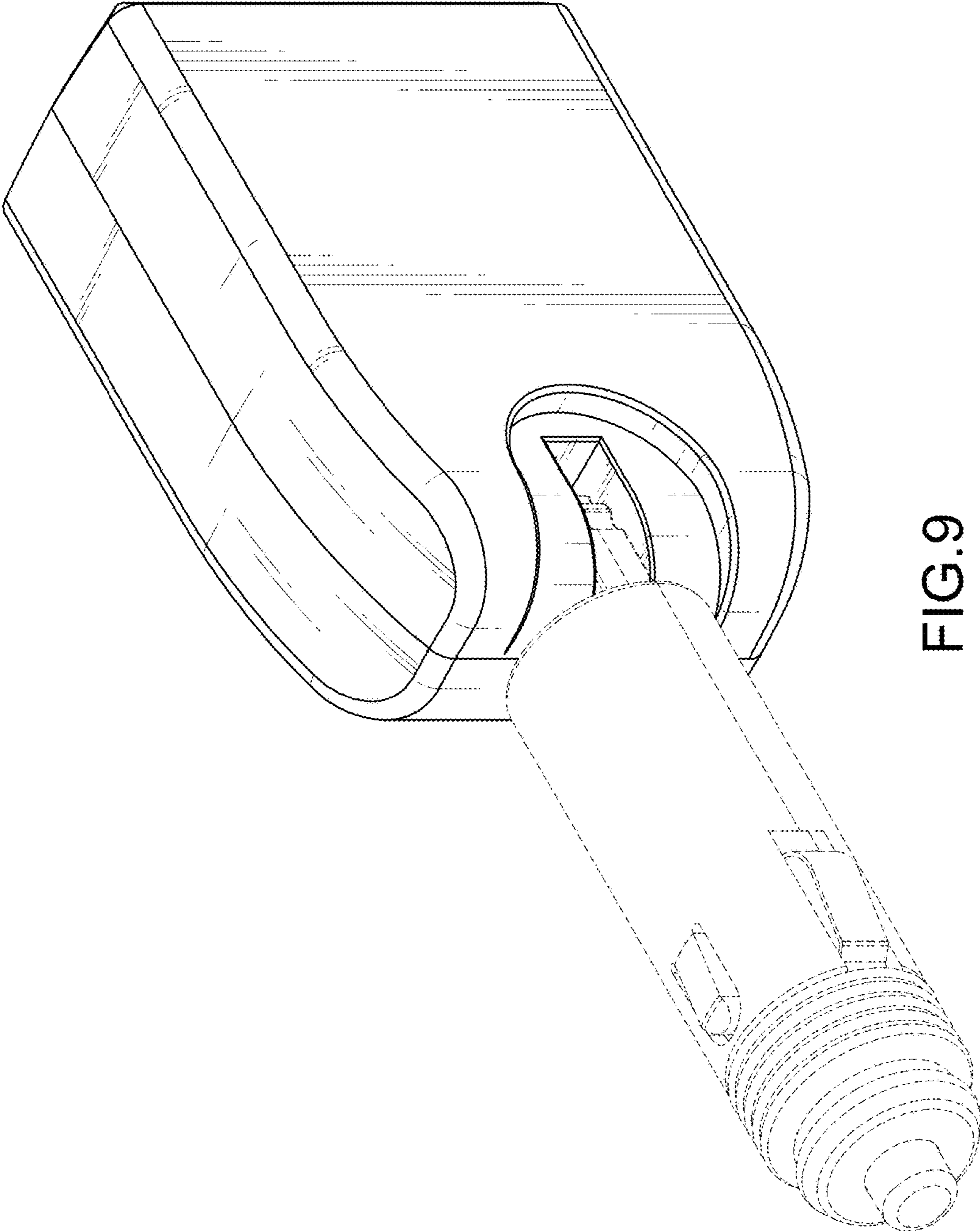


FIG. 9

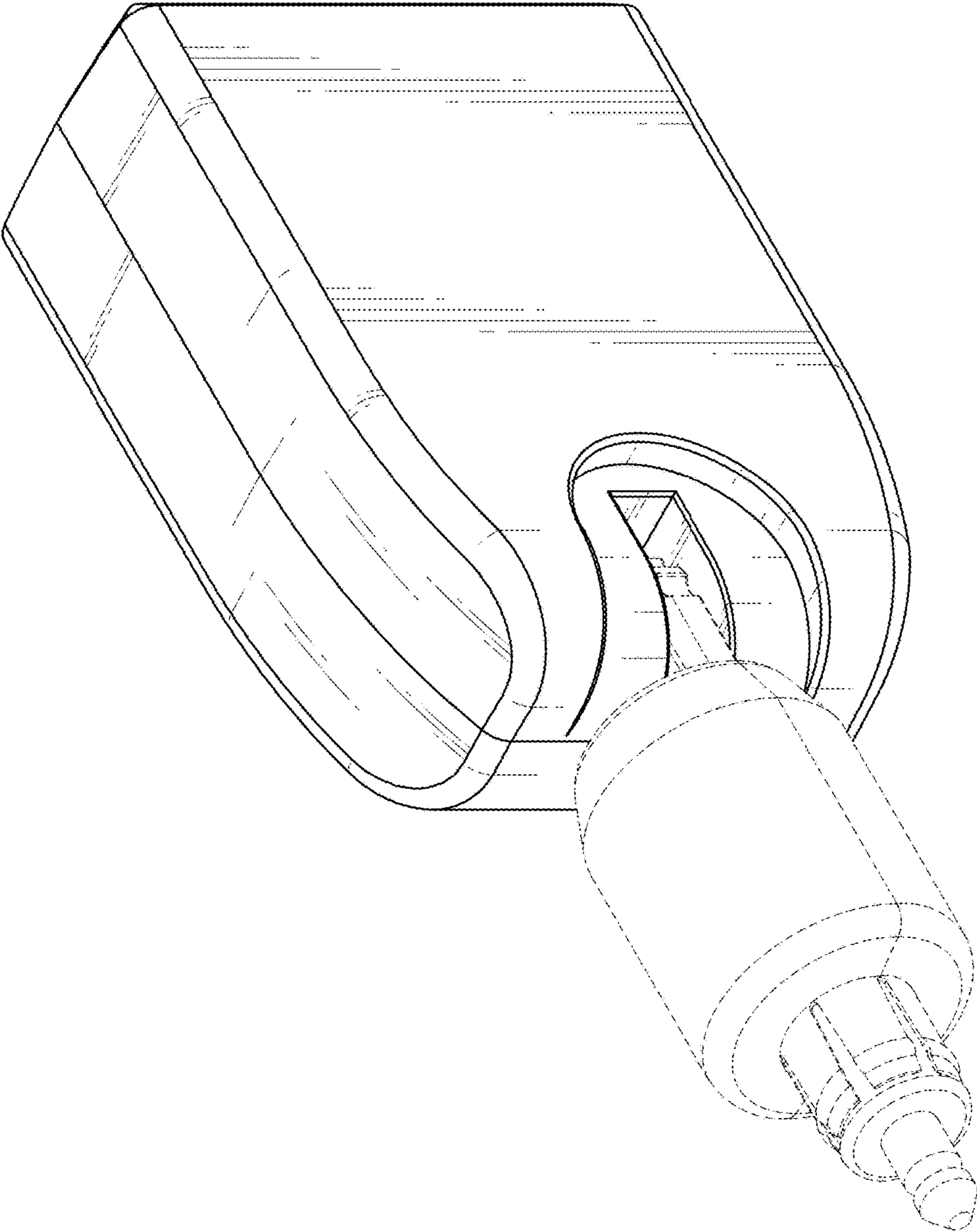


FIG.10