

US00D845230S

(12) **United States Design Patent**  
**Nook et al.**

(10) **Patent No.:** **US D845,230 S**

(45) **Date of Patent:** **\*\* Apr. 9, 2019**

(54) **BATTERY JUMP STARTING DEVICE**

(71) Applicant: **THE NOCO COMPANY**, Glenwillow, OH (US)

(72) Inventors: **Jonathan Lewis Nook**, Gates Mills, OH (US); **William Knight Nook, Sr.**, Shaker Heights, OH (US); **James Richard Stanfield**, Peoria, AZ (US); **Derek Michael Underhill**, Tempe, AZ (US)

(73) Assignee: **THE NOCO COMPANY**, Glenwillow, OH (US)

(\*\*) Term: **15 Years**

(21) Appl. No.: **29/615,035**

(22) Filed: **Aug. 25, 2017**

(51) **LOC (11) Cl.** ..... **13-02**

(52) **U.S. Cl.**  
USPC ..... **D13/107**

(58) **Field of Classification Search**  
USPC ..... D13/106–110, 118, 184; D15/9  
CPC ..... Y02E 60/12; Y02T 90/14; Y02T 90/122;  
Y02T 90/128; Y02T 90/163; Y02T  
10/7005; Y02T 10/705; Y02T 10/7088;  
H02J 7/025; H02J 7/0042; H02J 7/0044;  
H02J 7/0045; H02J 7/0003; H02J 7/0034;  
H02J 7/0054; H02J 7/1423; H02J  
2001/006; H01F 38/14; H01R 13/6675;  
H01M 2/1022; H01M 2/1055; H01M  
10/44; H01M 10/46; H01M 10/425; B60L  
11/182

See application file for complete search history.

(56) **References Cited**

**U.S. PATENT DOCUMENTS**

7,573,385 B2 \* 8/2009 Tonelli ..... A45C 13/42  
340/568.7  
D640,192 S \* 6/2011 Robinson ..... D13/103

D668,221 S \* 10/2012 McKune ..... D13/110  
D684,130 S \* 6/2013 Vincent ..... D13/184  
D701,490 S \* 3/2014 Inskeep ..... D13/110  
D704,135 S \* 5/2014 Stewart ..... D13/108  
D740,234 S \* 10/2015 Johannessen ..... D13/119  
D745,455 S \* 12/2015 Nook ..... D13/103  
D785,567 S \* 5/2017 Abena ..... D13/119  
D786,191 S \* 5/2017 McSweyn ..... D13/103  
D793,955 S \* 8/2017 Yang ..... D13/107  
D815,596 S \* 4/2018 Currier ..... D13/110  
D818,953 S \* 5/2018 Xu ..... D13/110

\* cited by examiner

*Primary Examiner* — Rosemary K Tarcza

*Assistant Examiner* — Nathaniel D. Buckner

(74) *Attorney, Agent, or Firm* — Vorys, Sater, Seymour and Pease LLP; William L. Klima

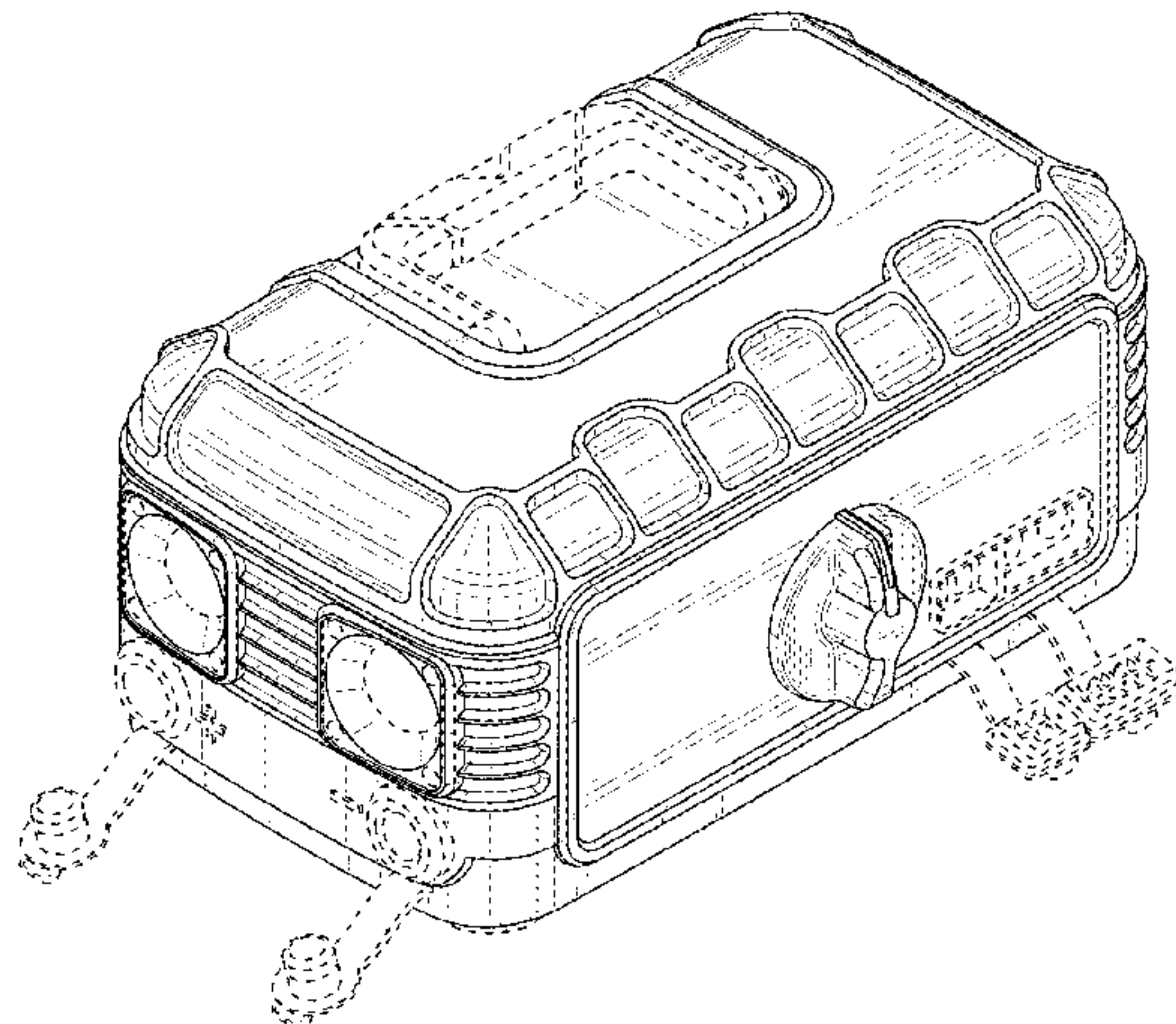
(57) **CLAIM**

The ornamental design for a battery jump starting device, as shown and described.

**DESCRIPTION**

FIG. 1 is a perspective view for a battery jump starting device;  
FIG. 2 is another perspective view thereof;  
FIG. 3 is a front view thereof;  
FIG. 4 is a rear view thereof;  
FIG. 5 is a top view thereof;  
FIG. 6 is a bottom view thereof;  
FIG. 7 is a left side view thereof; and,  
FIG. 8 is a right side view thereof.  
The broken lines shown in the drawings depict environmental structures or portions of the article that form no part of the claimed design.

**1 Claim, 8 Drawing Sheets**



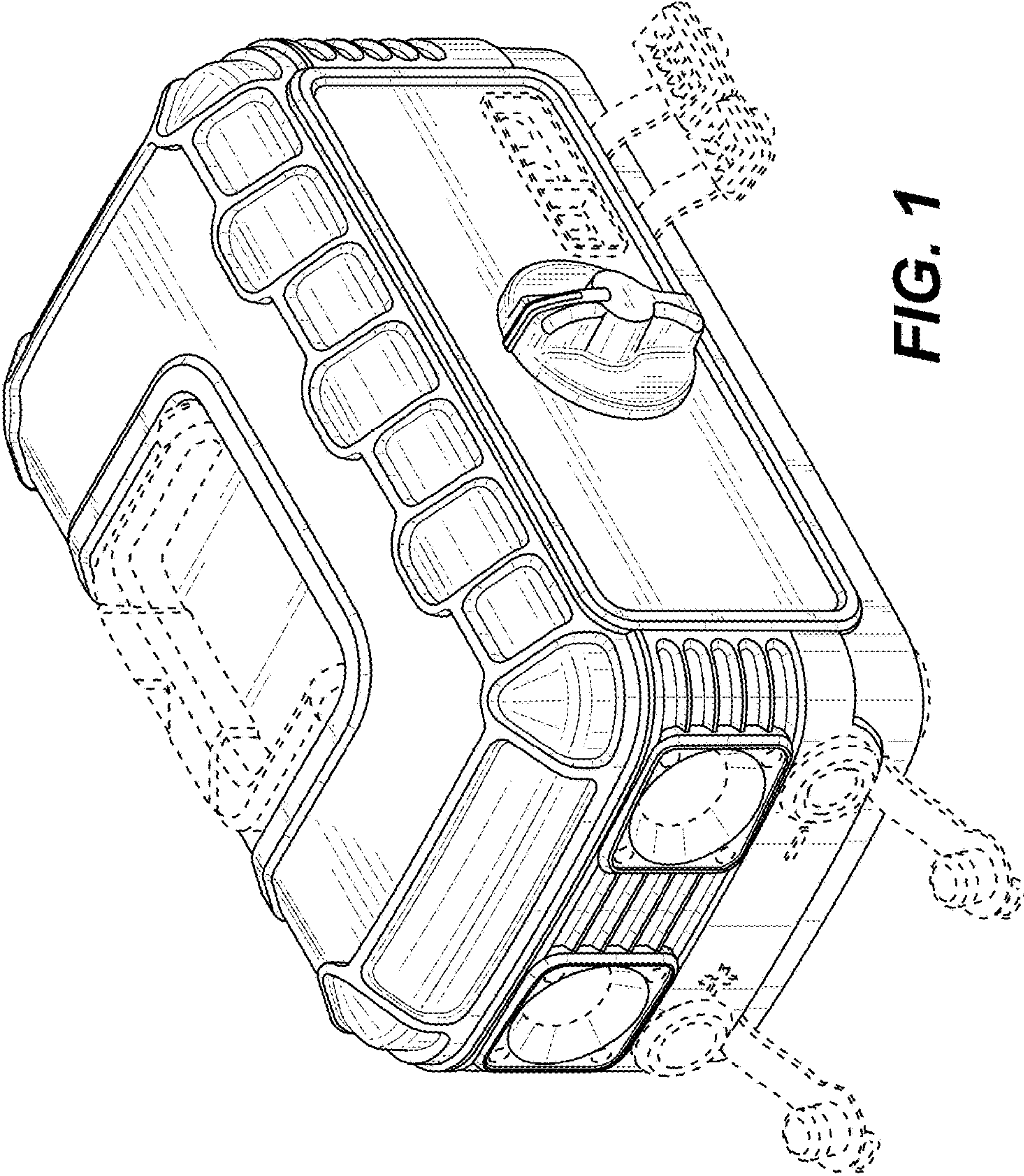


FIG. 1



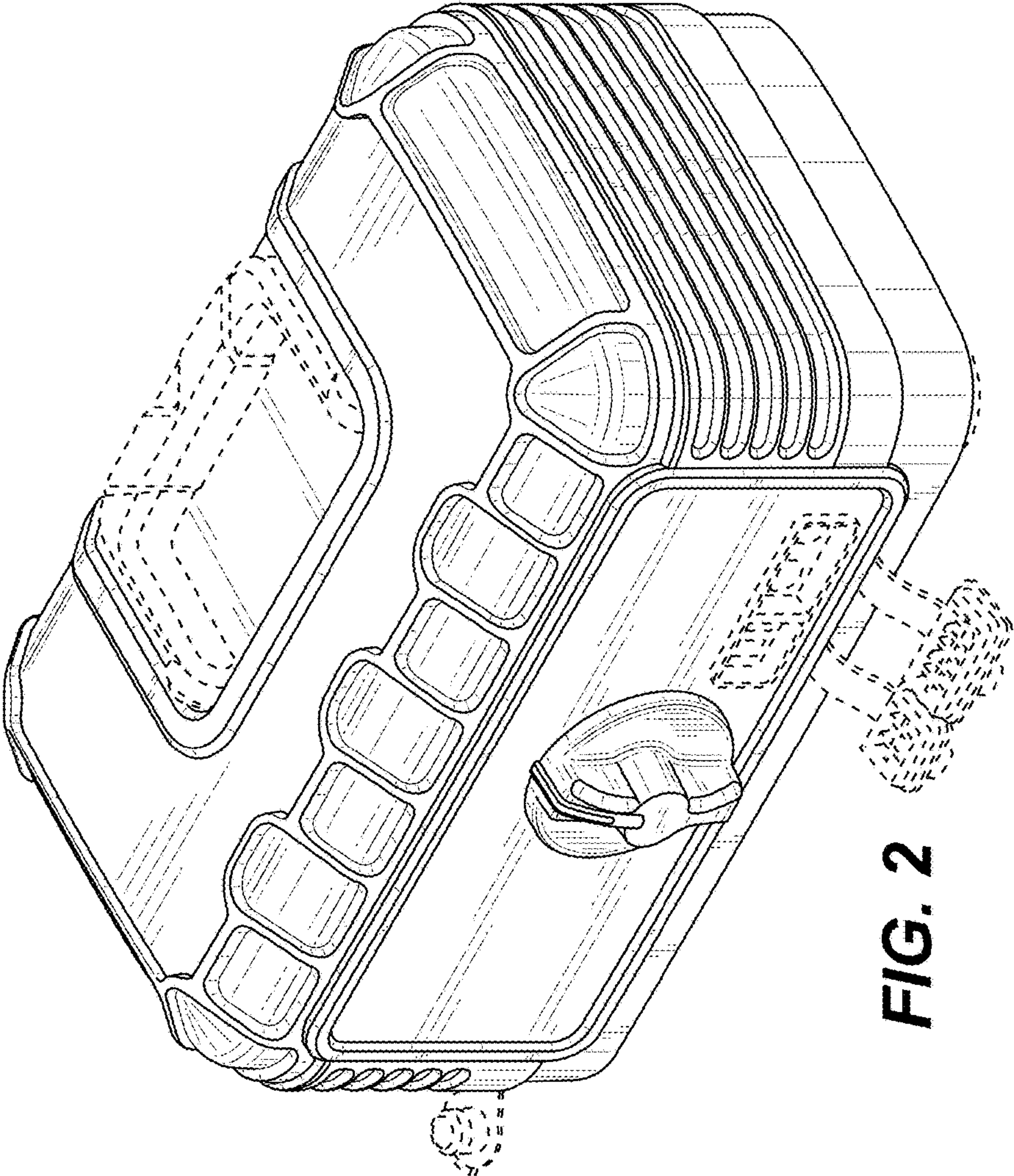
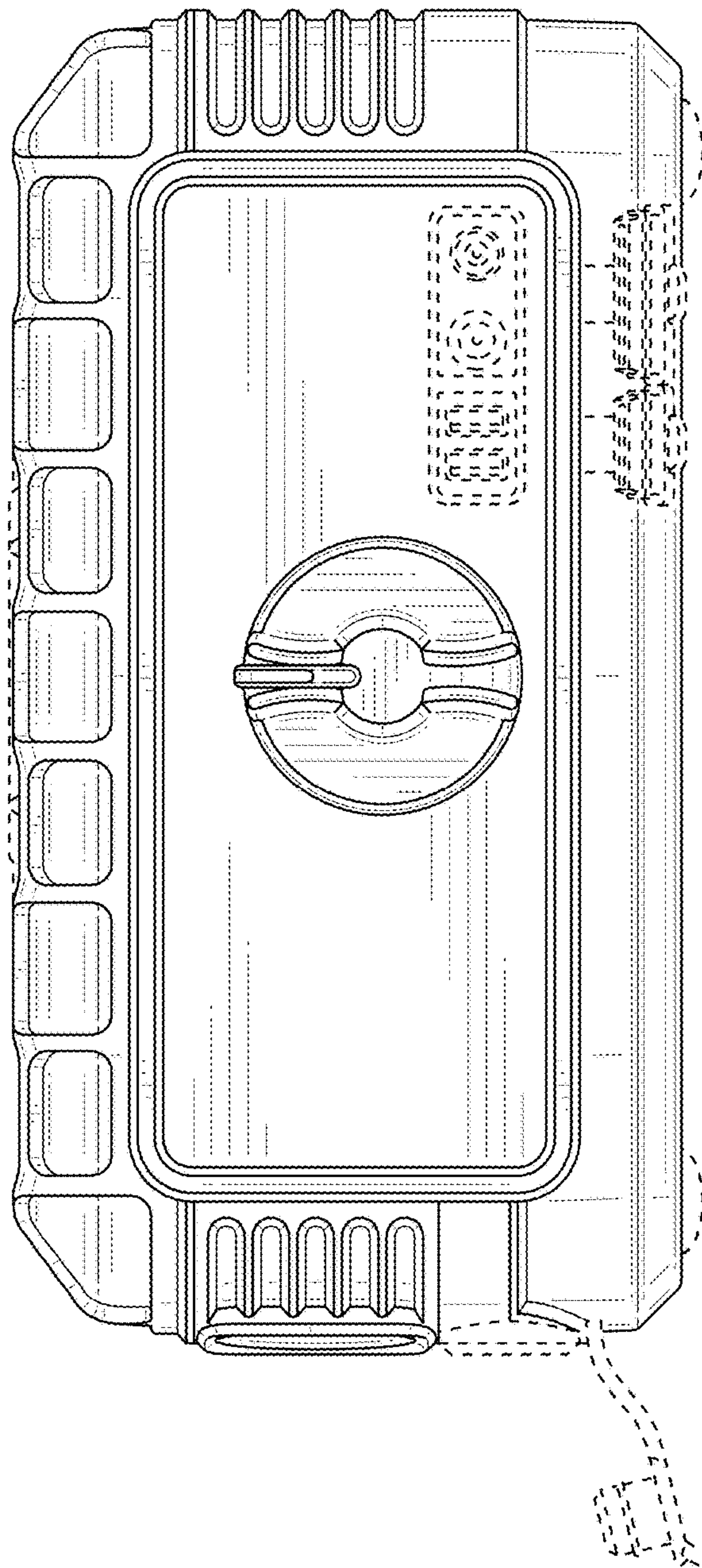
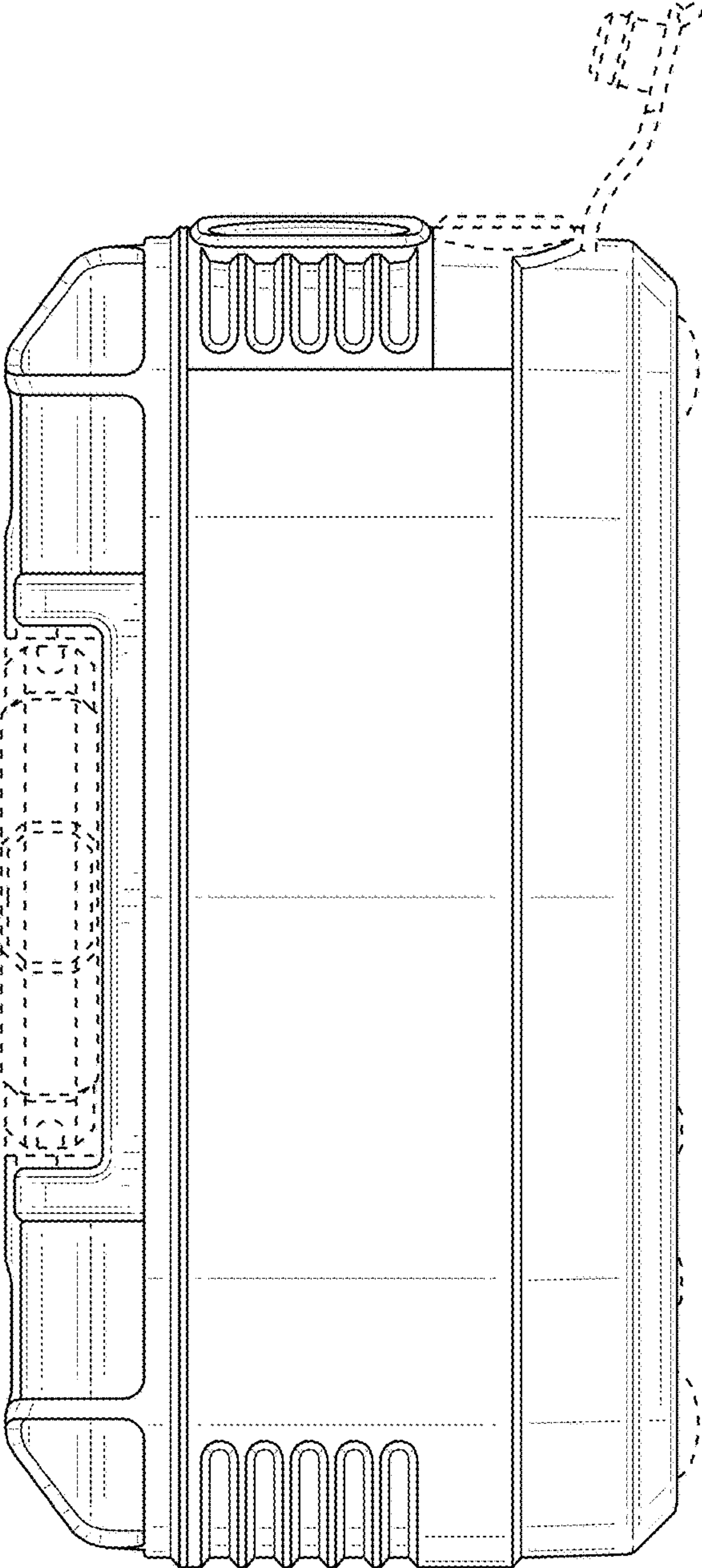


FIG. 2

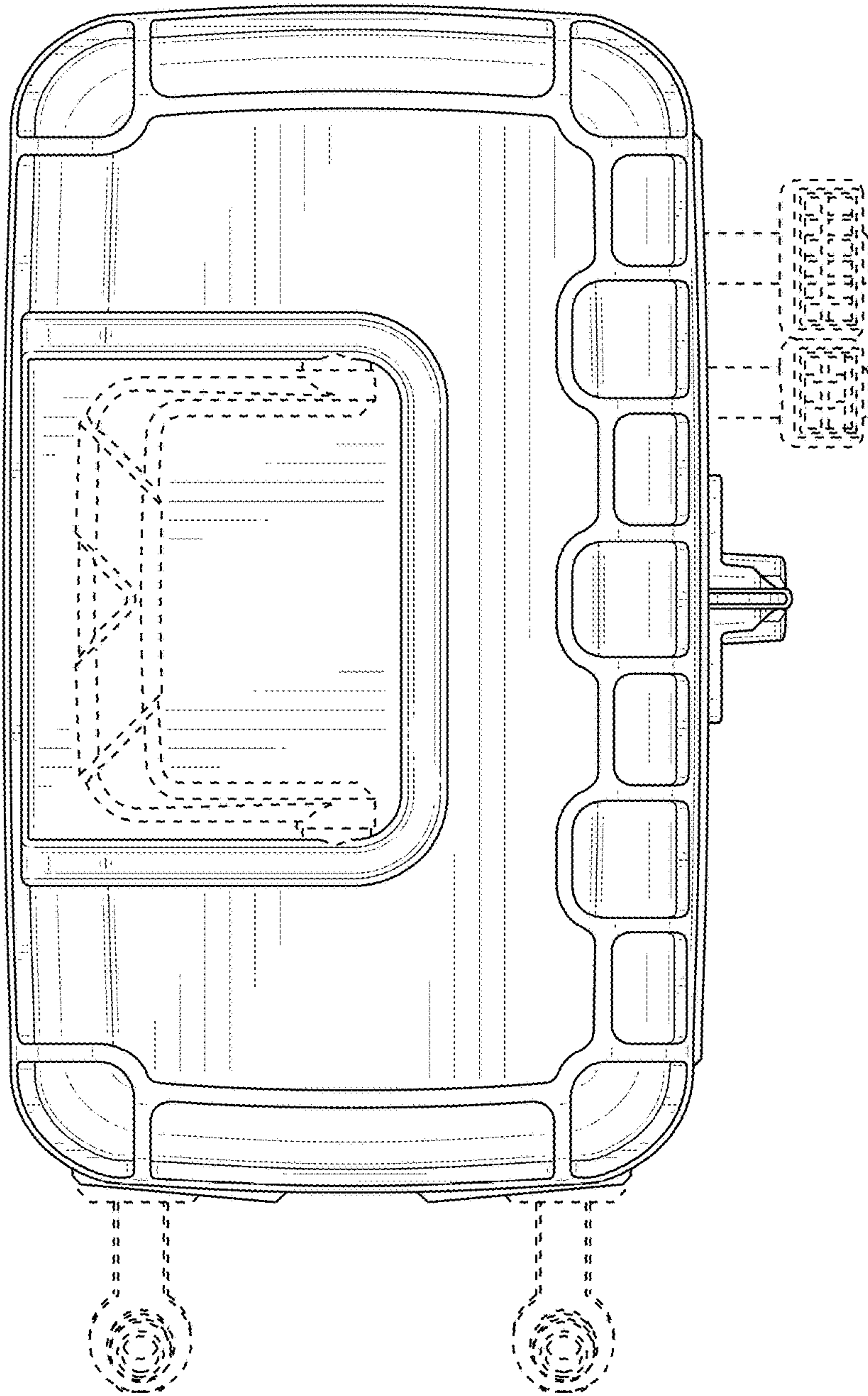


**FIG. 3**

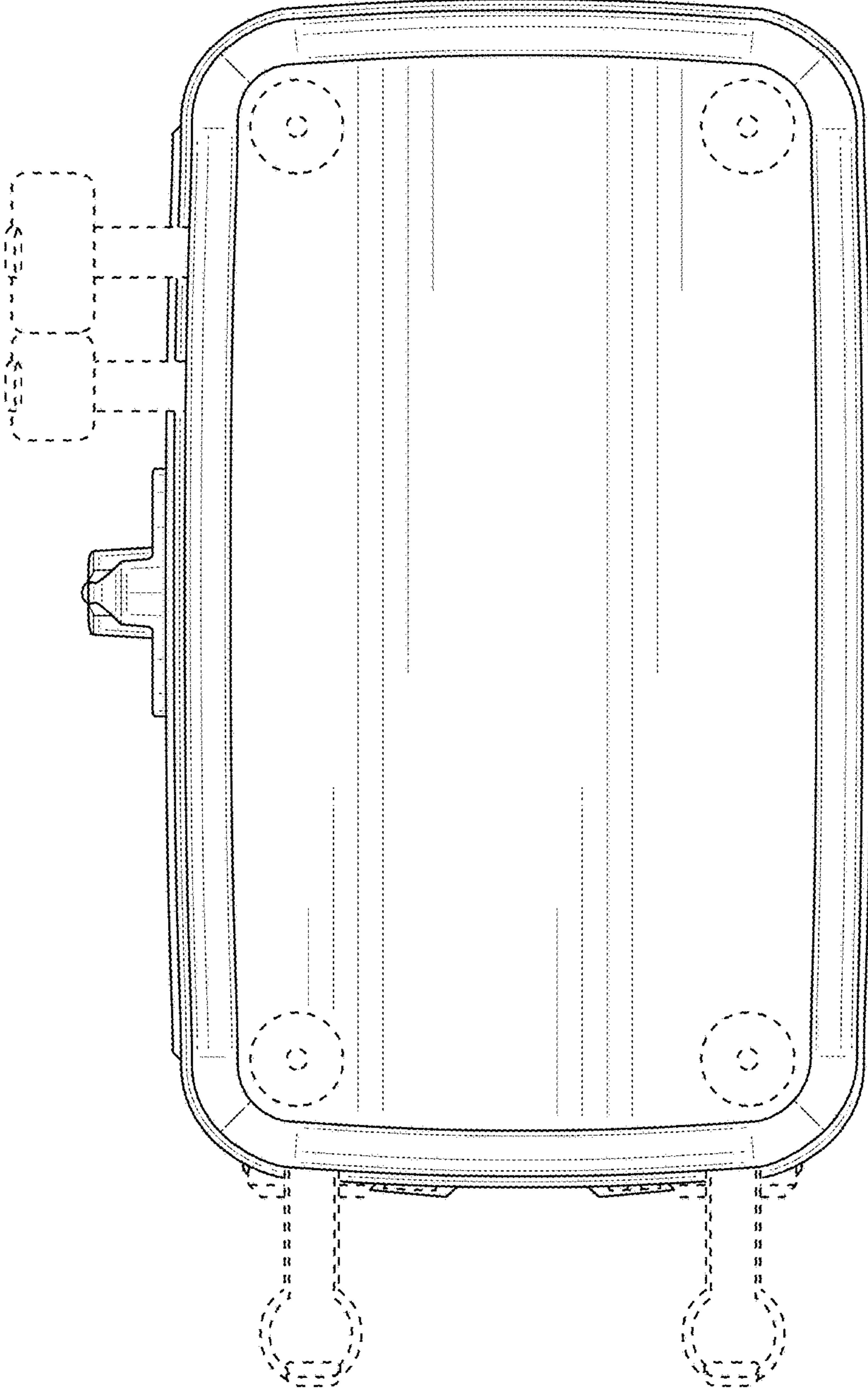


**FIG. 4**

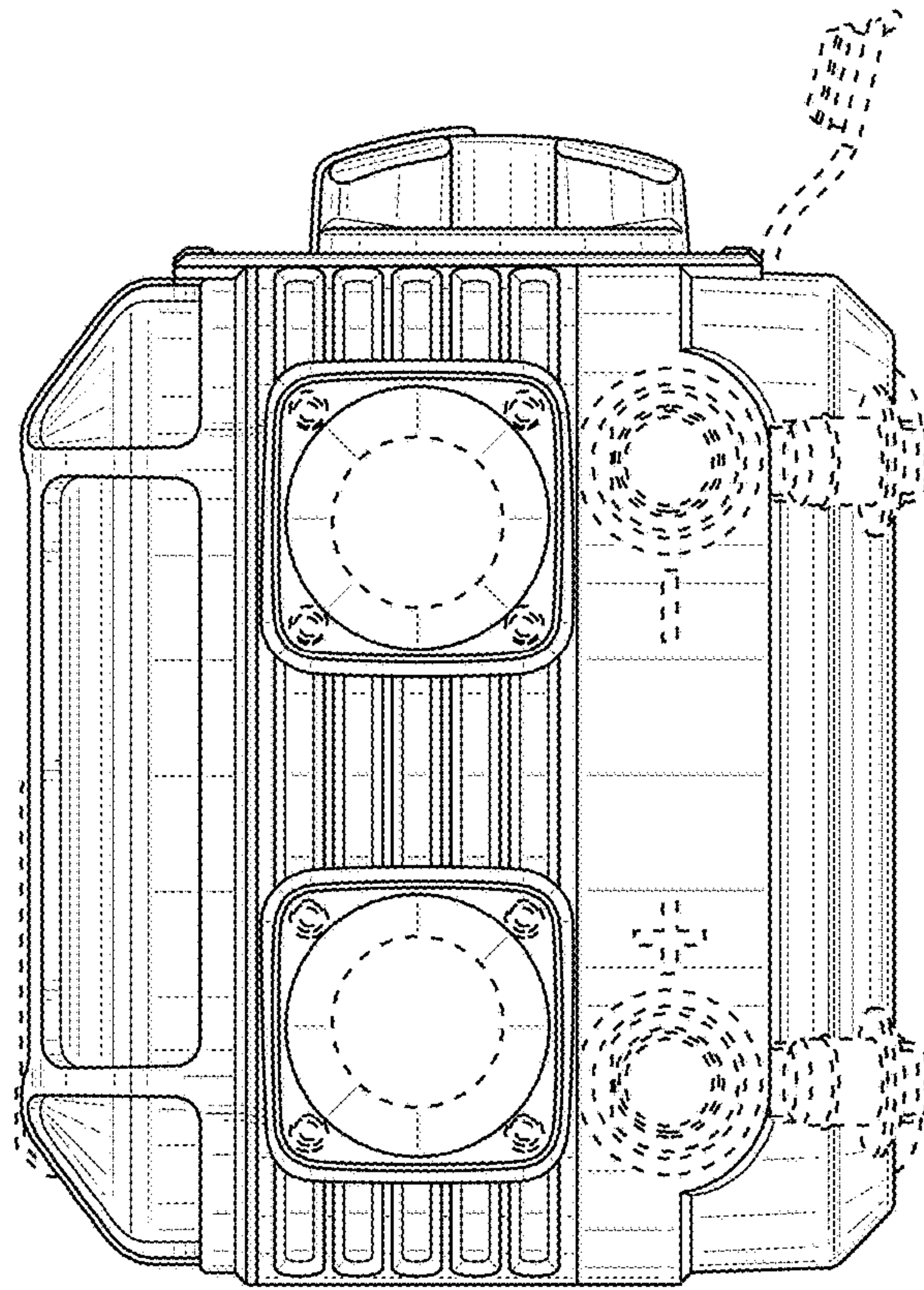




**FIG. 5**



**FIG. 6**



**FIG. 7**



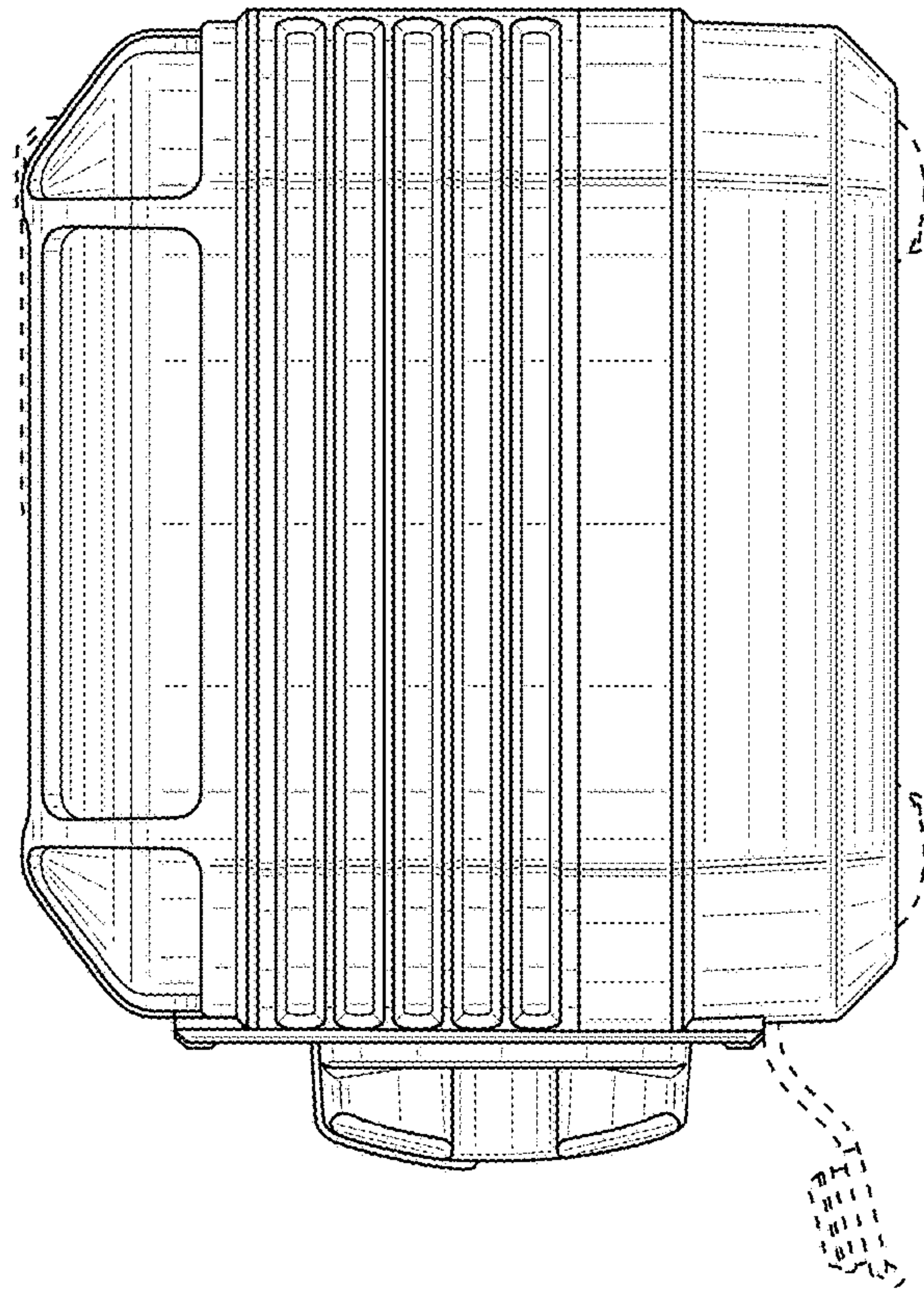


FIG. 8