



US00D845229S

(12) **United States Design Patent**
Chen

(10) **Patent No.:** **US D845,229 S**

(45) **Date of Patent:** **** Apr. 9, 2019**

(54) **BATTERY PACK**

(71) Applicant: **Bosch Automotive Products (Suzhou) Co. Ltd.**, Wuzhong, Suzhou, Jiangsu (CN)

(72) Inventor: **Alex Chen**, Jiangsu (CN)

(73) Assignee: **Bosch Automotive Products (Suzhou) Co., Ltd.**, Wuzhong, Suzhou, Jiangsu (CN)

(**) Term: **15 Years**

(21) Appl. No.: **29/556,307**

(22) Filed: **Feb. 29, 2016**

(30) **Foreign Application Priority Data**

Aug. 31, 2015 (CN) 2015 3 0331964

(51) **LOC (11) Cl.** **13-02**

(52) **U.S. Cl.**
USPC **D13/103**

(58) **Field of Classification Search**
USPC D13/102–108, 110, 118–121, 184, 199
CPC Y02E 60/12; Y02E 60/122; Y02E 60/124;
Y02E 60/50; H01M 2/02; H01M 2/022;
H01M 2/0202; H01M 2/0207; H01M
2/0212; H01M 2/1061; H01M 2/1022;
H01M 2/1055; H01M 2/1066; H01M
2/105; H01M 2/204; H01M 10/4257;
H01M 10/0436; H01M 10/48
See application file for complete search history.

(56) **References Cited**

U.S. PATENT DOCUMENTS

D328,888 S * 8/1992 Zhu D13/103
D654,854 S * 2/2012 Inskeep D13/107
D686,569 S * 7/2013 Lau D13/103

D688,200 S * 8/2013 Shin D13/107
D694,176 S * 11/2013 Buetow D13/103
D694,180 S * 11/2013 Inskeep D13/107
D701,490 S * 3/2014 Inskeep D13/110
D712,348 S * 9/2014 Zhang D13/103
D742,822 S * 11/2015 Ju D13/103
D743,332 S * 11/2015 Ju D13/103
D745,455 S * 12/2015 Nook D13/103
D746,770 S * 1/2016 Nook D13/103
D753,059 S * 4/2016 Krantz D13/110
D758,302 S * 6/2016 Walker D13/103
D760,164 S * 6/2016 Aida D13/110
D765,594 S * 9/2016 Li D13/103
D766,820 S * 9/2016 Geier D13/103

(Continued)

Primary Examiner — Rosemary K Tarcza

(74) *Attorney, Agent, or Firm* — Maginot, Moore & Beck LLP

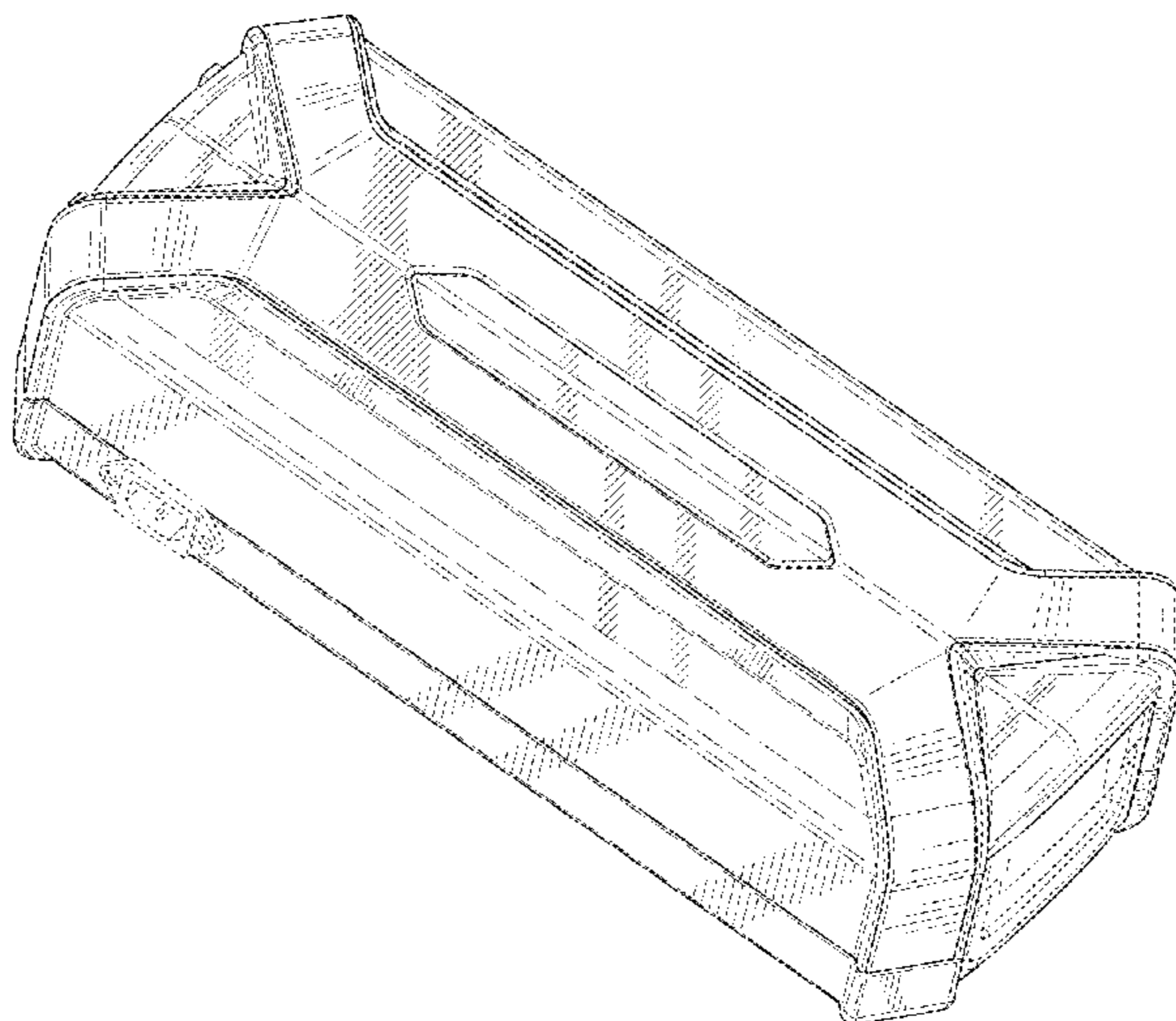
(57) **CLAIM**

The ornamental design for a battery pack, as shown and described.

DESCRIPTION

FIG. 1 is a perspective view of a of a battery pack showing my new design;
FIG. 2 is a front elevational view showing the design for the battery pack of FIG. 1;
FIG. 3 is a rear elevational view showing the design for the battery pack of FIG. 1;
FIG. 4 is a left side elevational view showing the design for the battery pack of FIG. 1;
FIG. 5 is a right side elevational view showing the design for the battery pack of FIG. 1;
FIG. 6 is a top plan view showing the design for the battery pack of FIG. 1; and,
FIG. 7 is a bottom plan view showing the design for the battery pack of FIG. 1.
The broken lines shown in the drawings illustrate portions of the battery pack that form no part of the claimed design.

1 Claim, 7 Drawing Sheets



(56)

References Cited

U.S. PATENT DOCUMENTS

D766,826 S *	9/2016	Xu	D13/110
D786,191 S *	5/2017	McSweyn	D13/103
D786,192 S *	5/2017	Liu	D13/107
D792,846 S *	7/2017	Zheng	D13/110
D793,338 S *	8/2017	Zheng	D13/102
D793,955 S *	8/2017	Yang	D13/107
D803,151 S *	11/2017	Zhou	D13/107
D809,454 S *	2/2018	Zhou	D13/103
D813,162 S *	3/2018	Krantz	D13/110
2016/0013673 A1 *	1/2016	Workman	H01R 13/5202 320/114

* cited by examiner

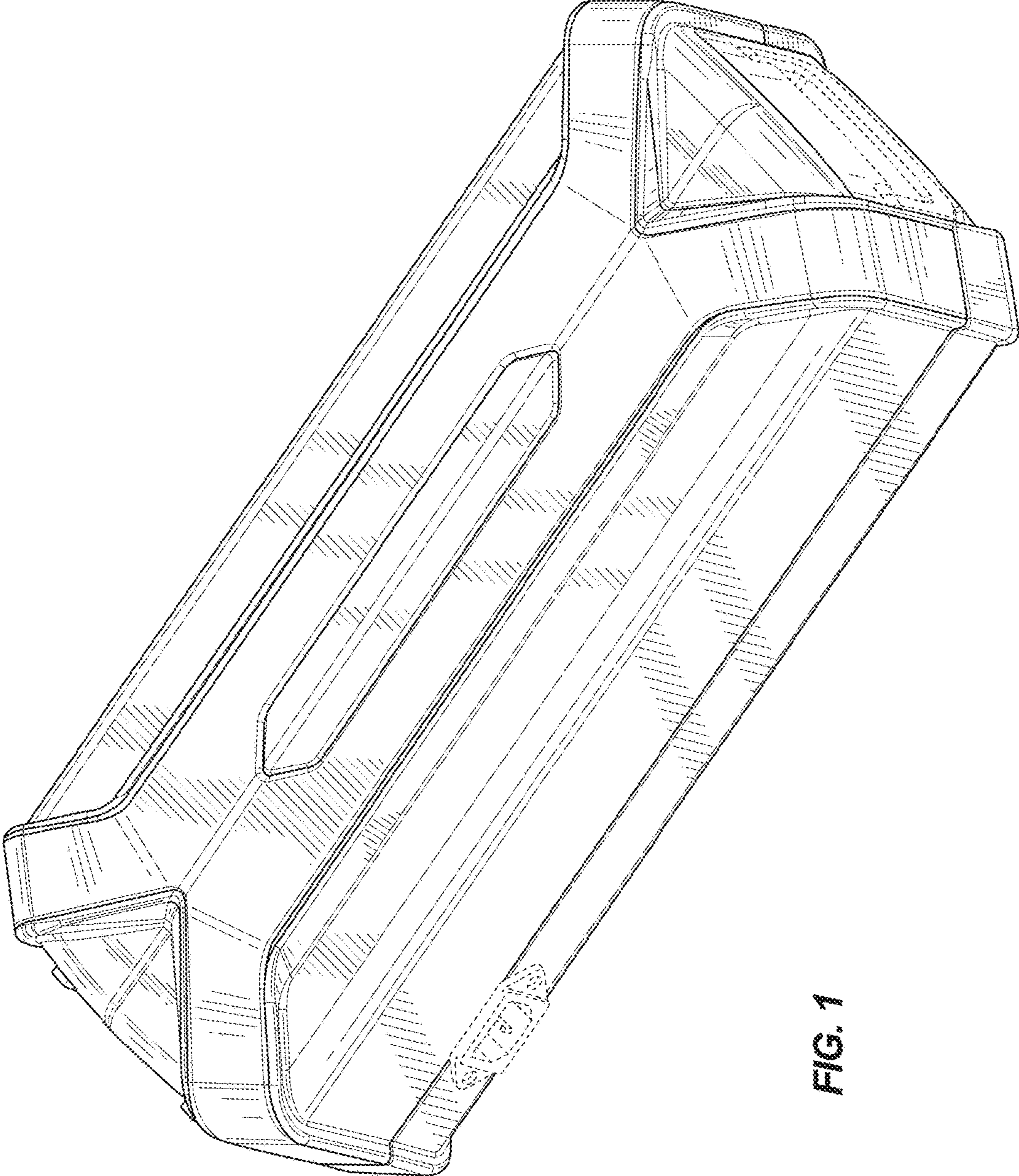


FIG. 1

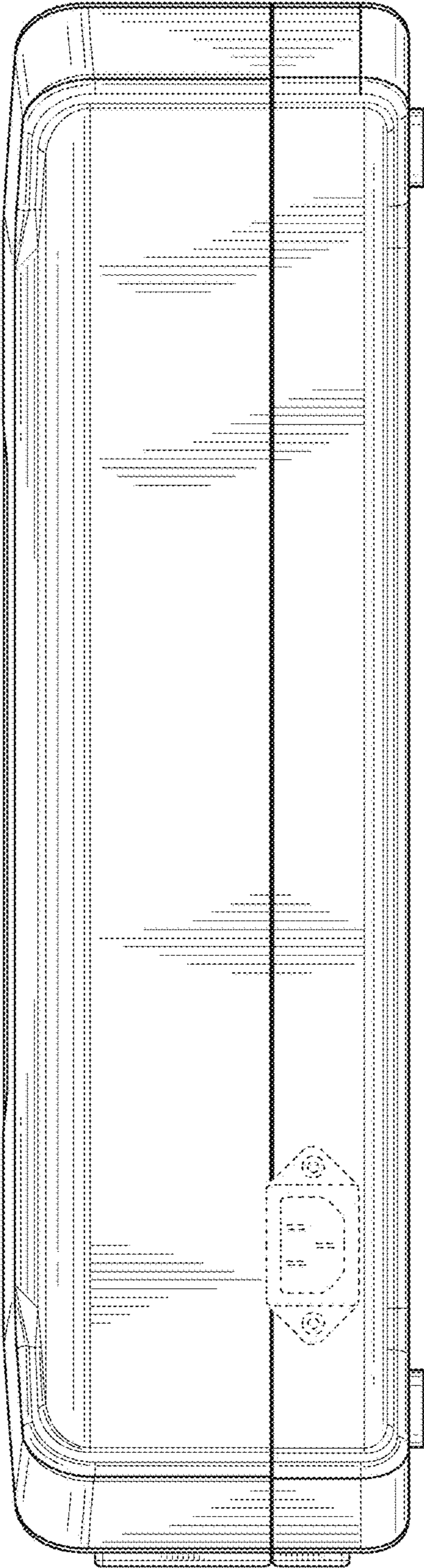


FIG. 2

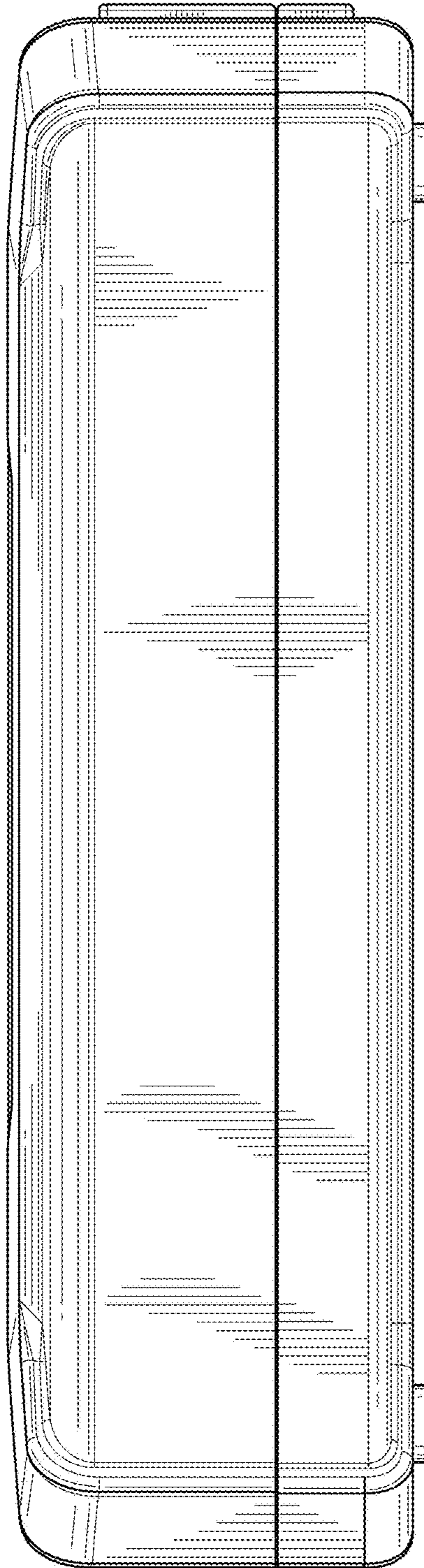


FIG. 3

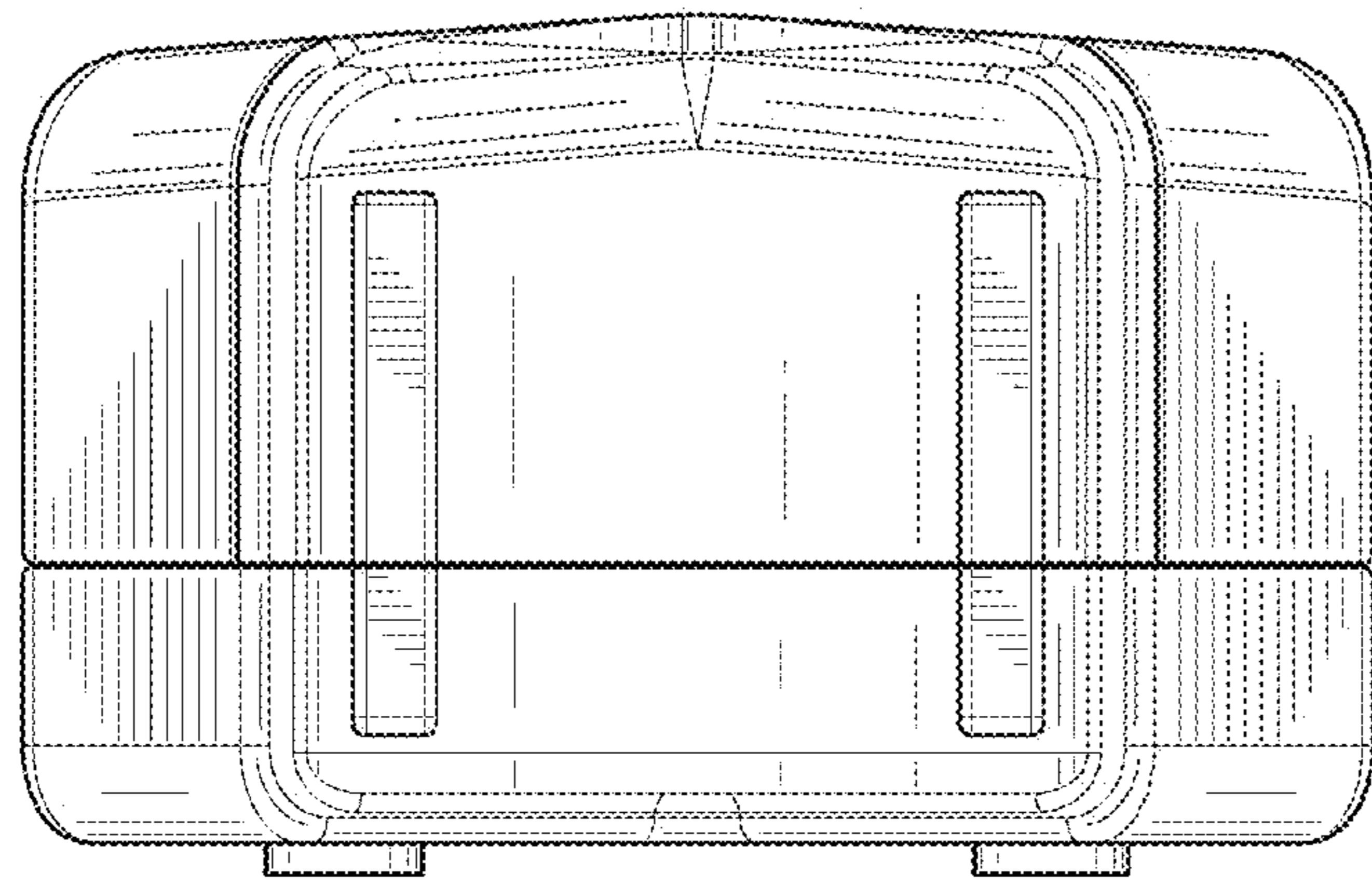


FIG. 4

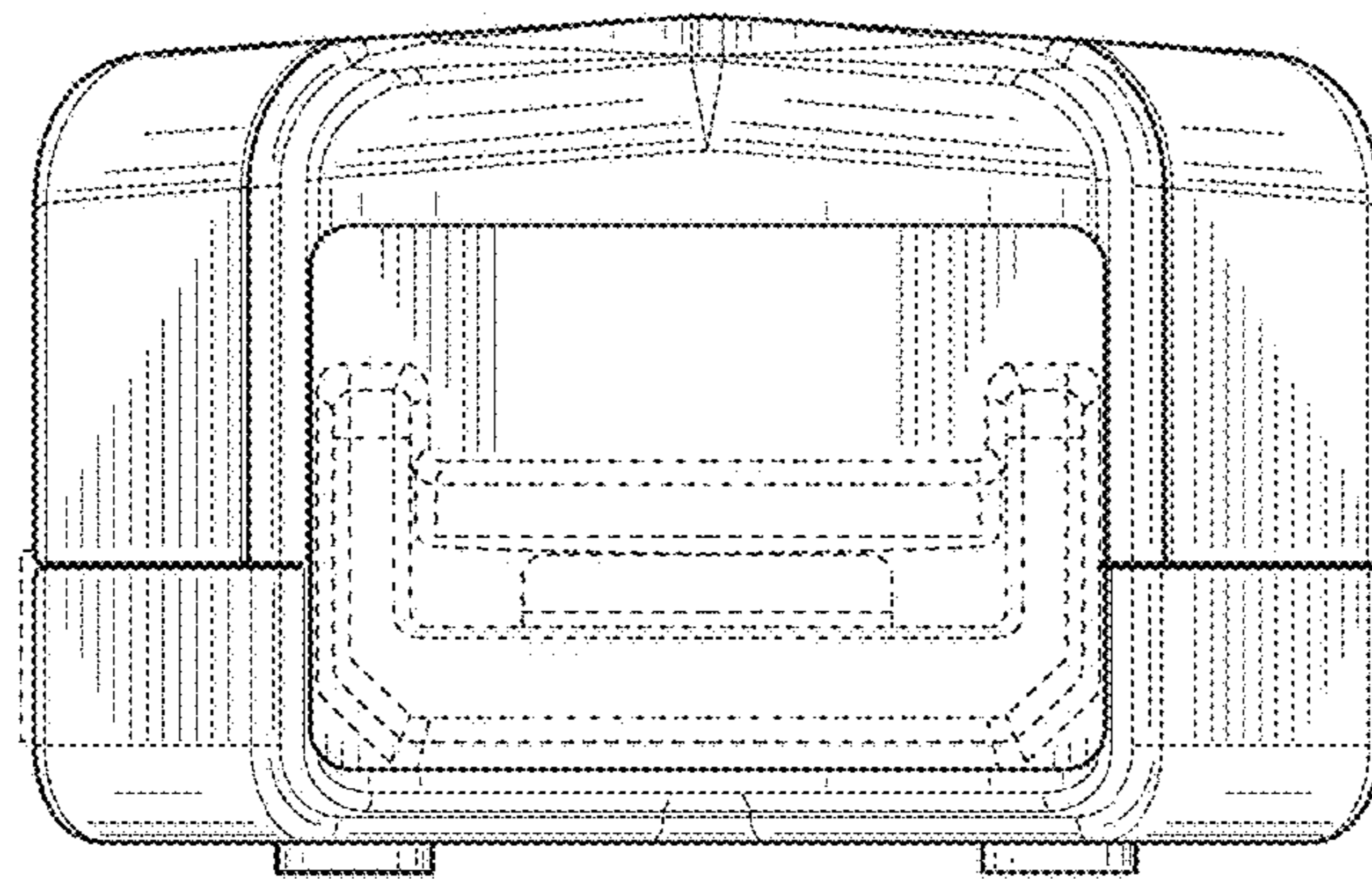


FIG. 5

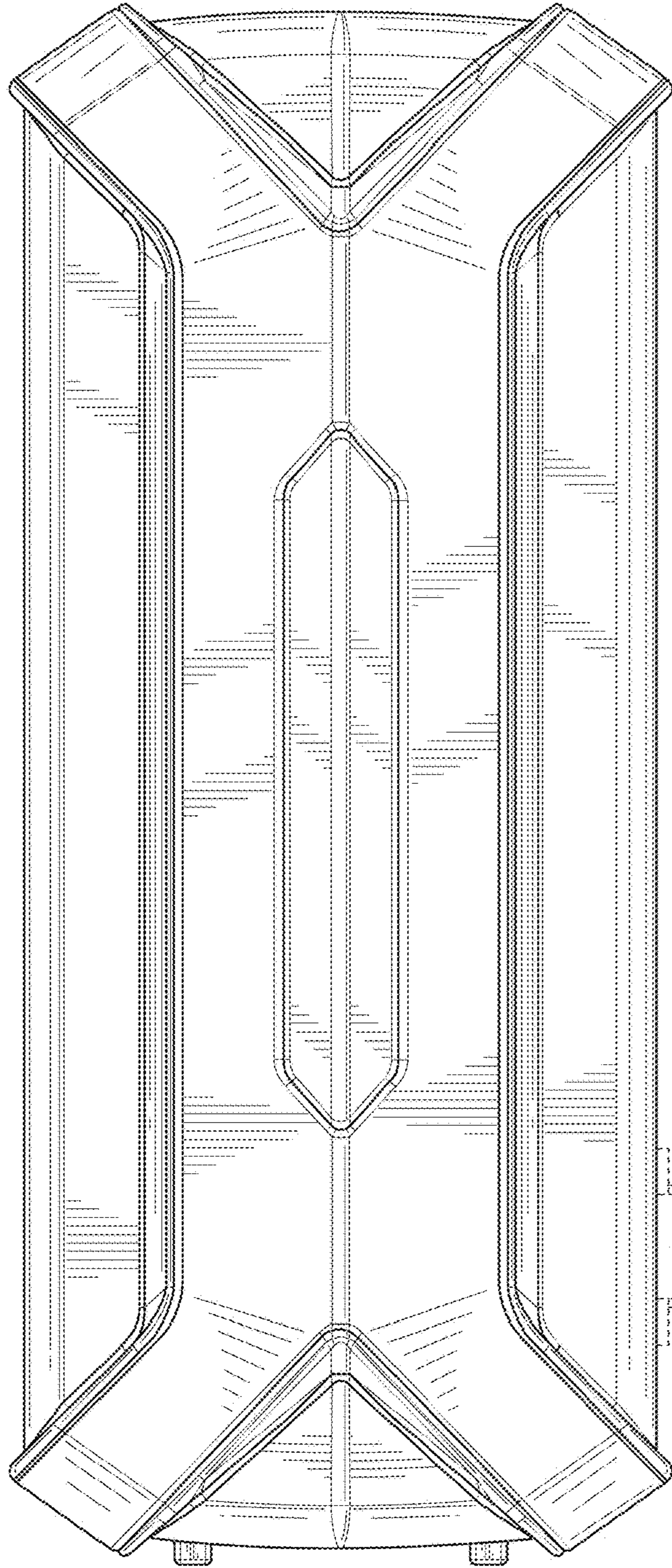


FIG. 6

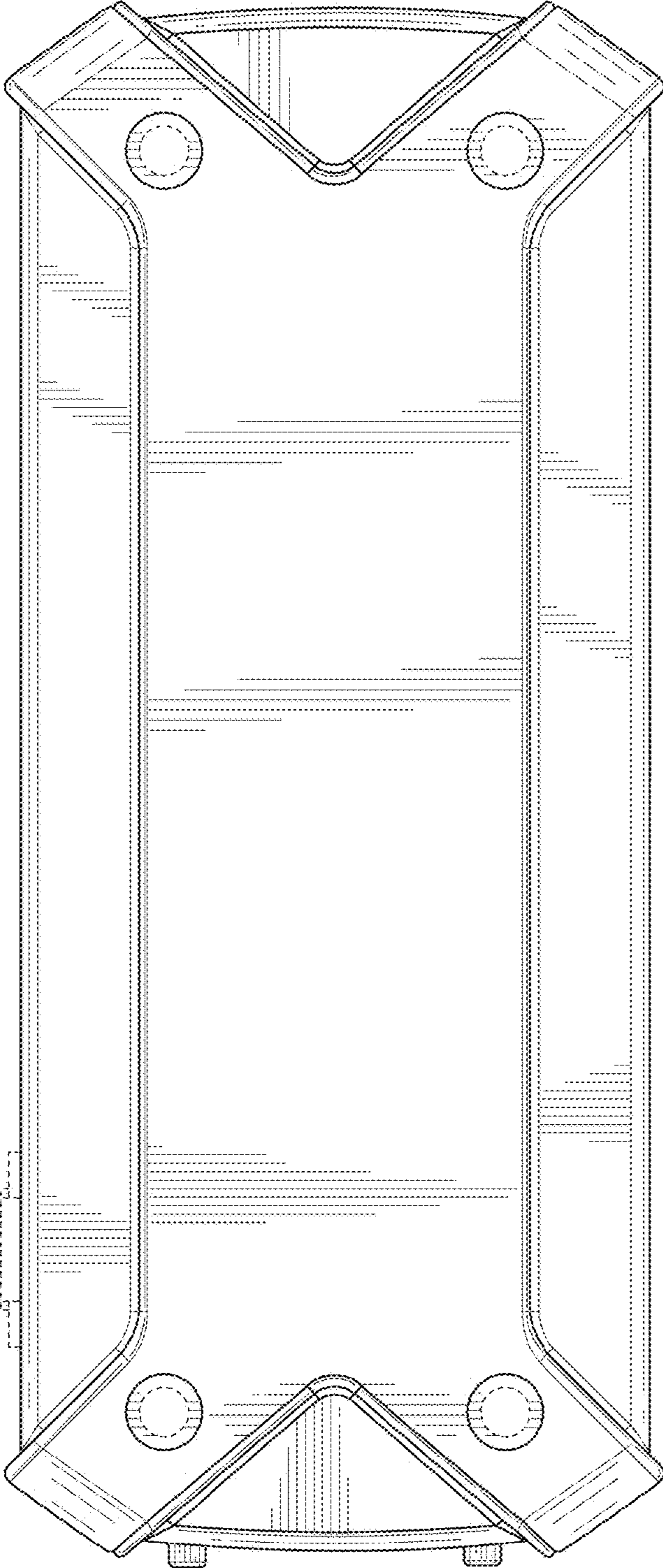


FIG. 7