

US00D845228S

(12) **United States Design Patent**  
**Shankar**

(10) **Patent No.:** **US D845,228 S**

(45) **Date of Patent:** **\*\* Apr. 9, 2019**

(54) **FLOATING SOLAR STRUCTURE**

(71) Applicant: **Ravi Shankar**, Pune (IN)

(72) Inventor: **Ravi Shankar**, Pune (IN)

(\*\*) Term: **15 Years**

(21) Appl. No.: **29/640,530**

(22) Filed: **Mar. 15, 2018**

(51) **LOC (11) Cl.** ..... **13-02**

(52) **U.S. Cl.**  
USPC ..... **D13/102**

(58) **Field of Classification Search**  
USPC ..... D13/101, 102, 103, 104, 105, 106, 118,  
D13/184, 199

CPC ..... H01L 31/00; H01L 31/02; H01L 31/042;  
H01L 31/045; H01L 31/046; H01L  
31/048; H01L 31/05; H01L 31/052; H01L  
31/0525; H02S 30/00; H02S 20/10; H02S  
20/23; H02S 20/30; H02S 40/34; H02S  
40/44; H02S 30/10; F24J 2/52; F03G  
6/00

See application file for complete search history.

(56) **References Cited**

**U.S. PATENT DOCUMENTS**

D210,662 S \* 4/1968 Hodge ..... D13/199

D708,127 S \* 7/2014 Secard ..... D13/102  
D756,907 S \* 5/2016 Secard ..... D13/102  
D806,931 S \* 1/2018 Hui ..... D26/102

\* cited by examiner

*Primary Examiner* — Daniel D Bui

(74) *Attorney, Agent, or Firm* — Sand, Sebolt & Wernow  
Co., LPA

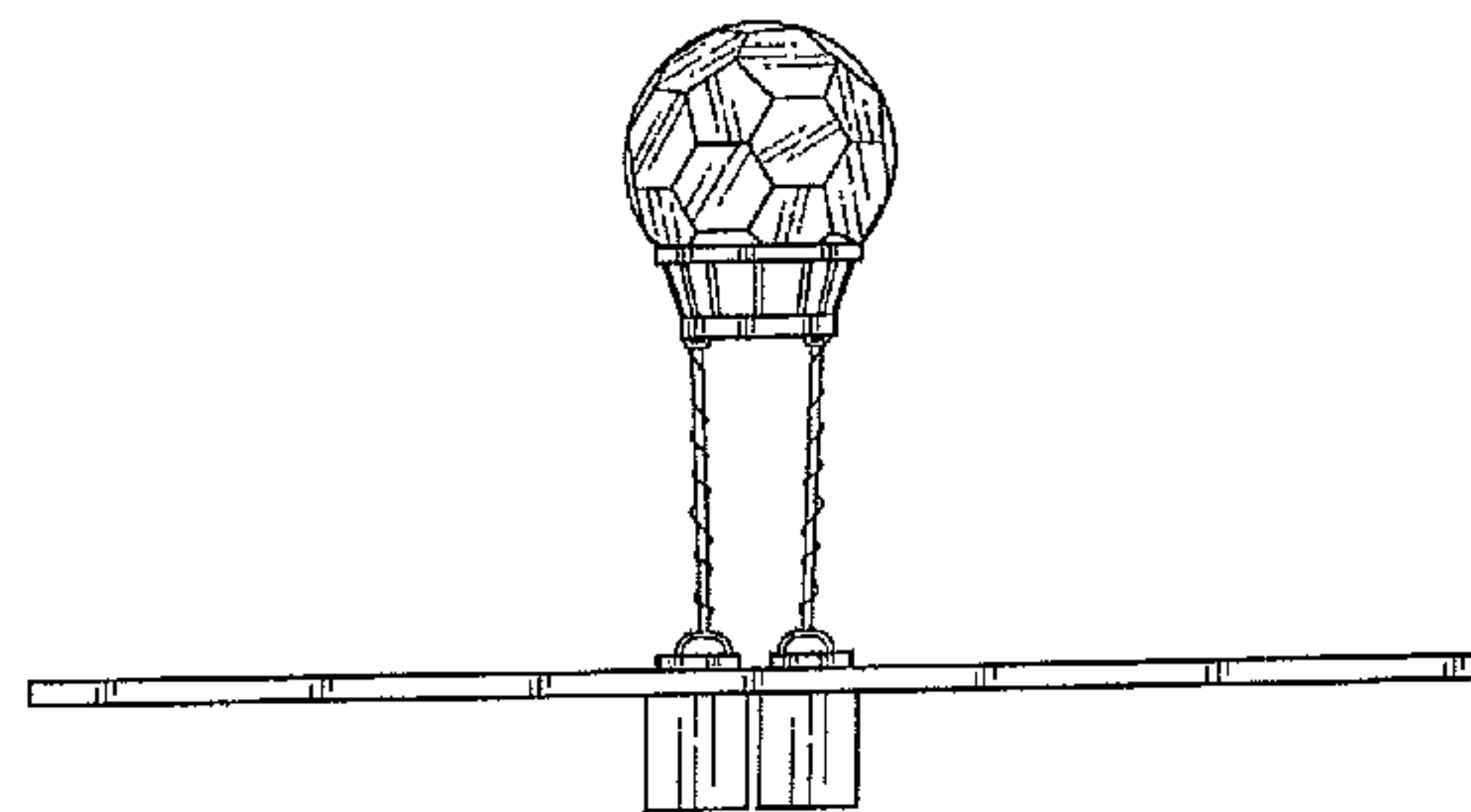
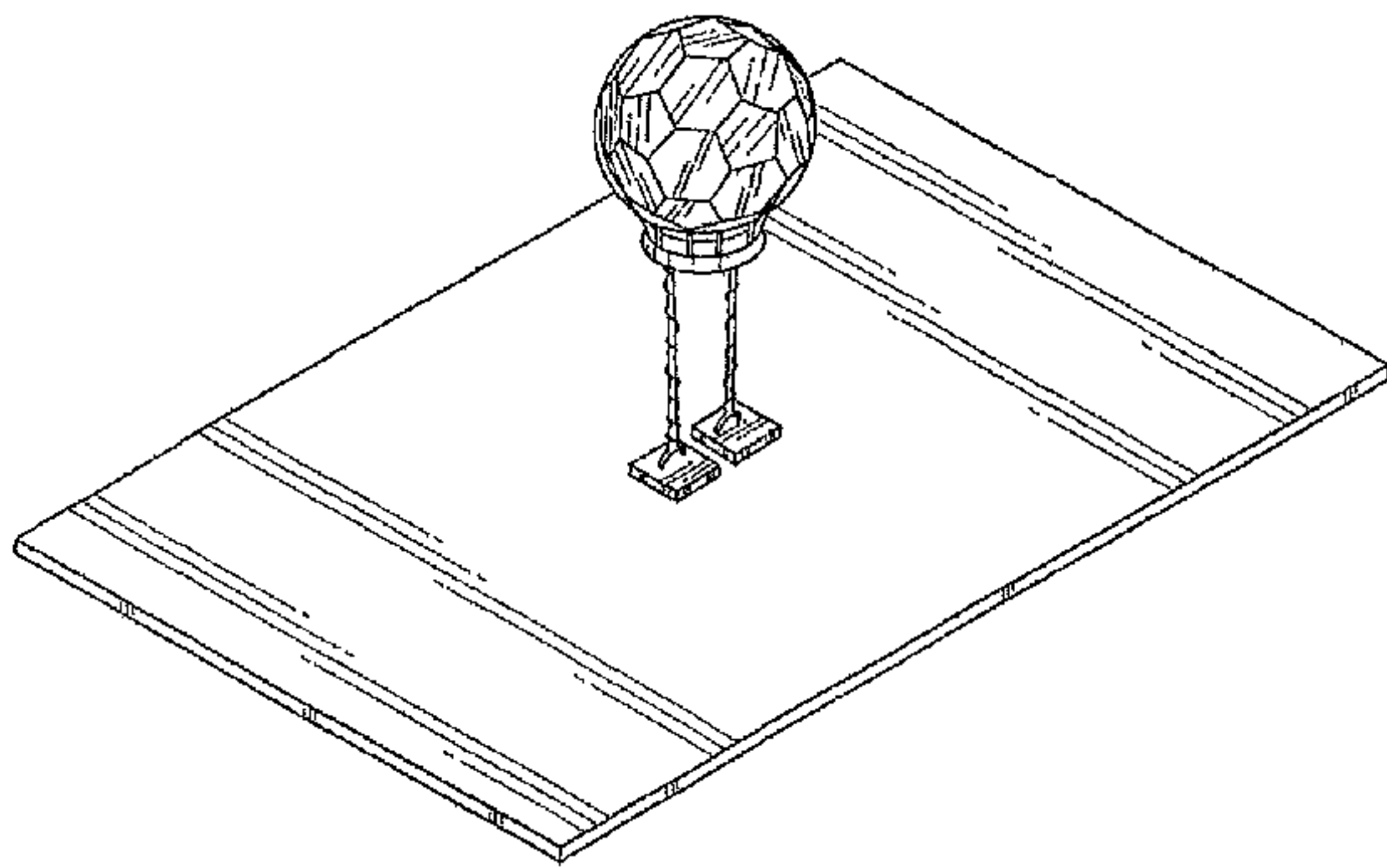
(57) **CLAIM**

The ornamental design for a floating solar structure, as shown and described.

**DESCRIPTION**

FIG. 1 is a top, perspective view of a floating solar structure in accordance with my design;  
FIG. 2 is a front elevation view thereof; the un-shown rear elevation view being a mirror image thereof;  
FIG. 3 is a left side elevation view thereof; the un-shown right side elevation view being a mirror image thereof on a larger scale;  
FIG. 4 is a top plan view thereof on a reduced scale; and,  
FIG. 5 is a bottom plan view thereof.

**1 Claim, 3 Drawing Sheets**



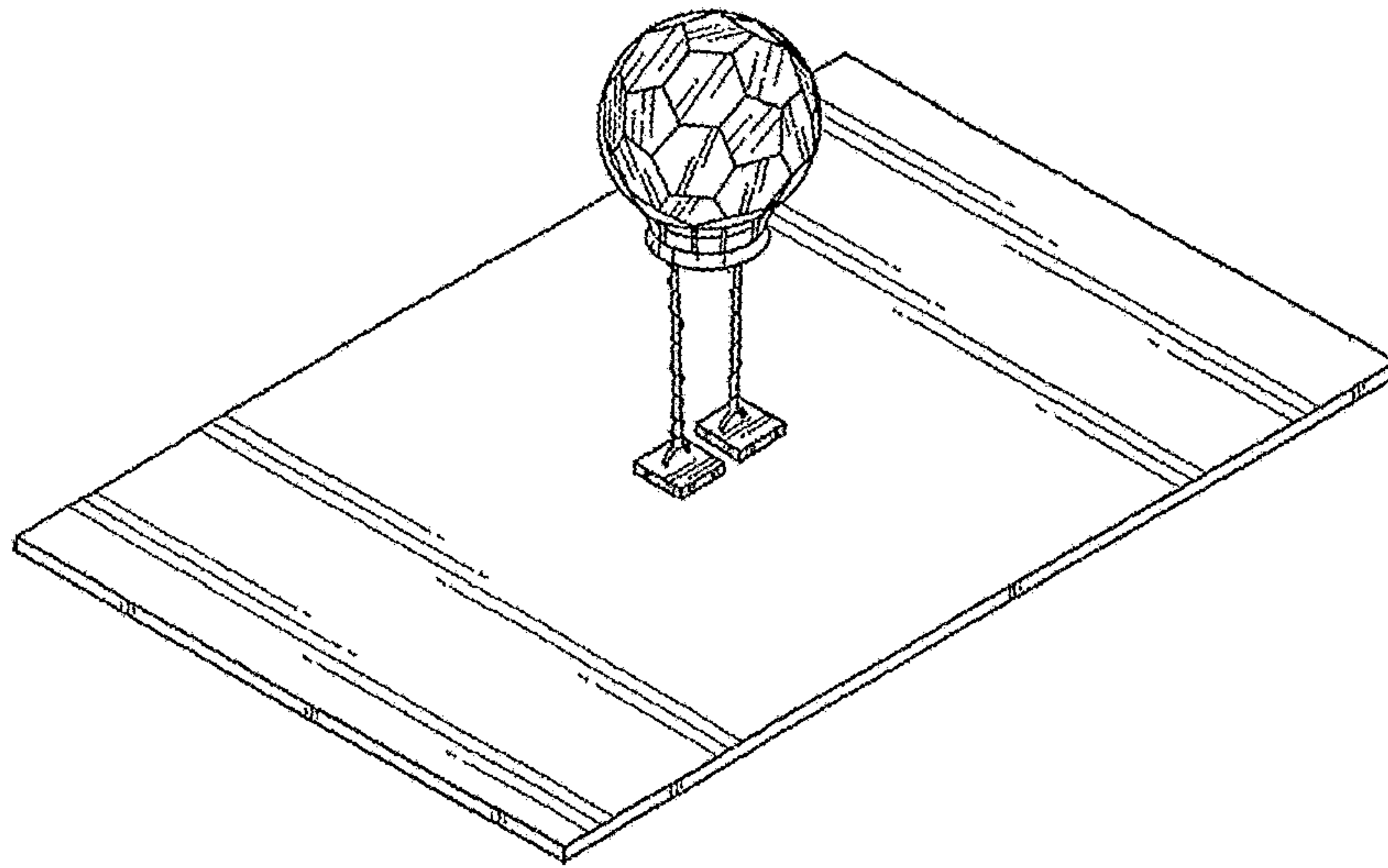


Fig. 1

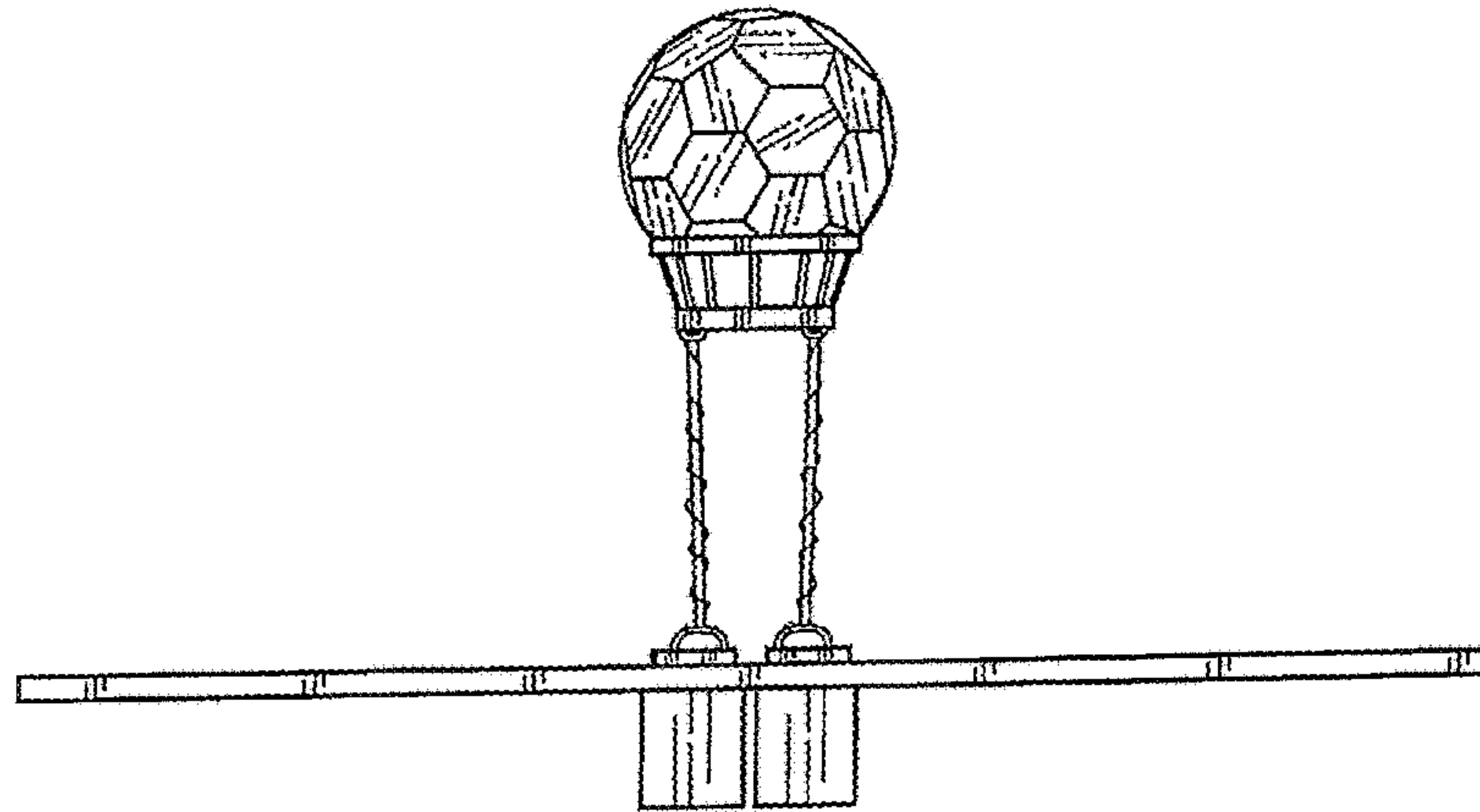


Fig. 2

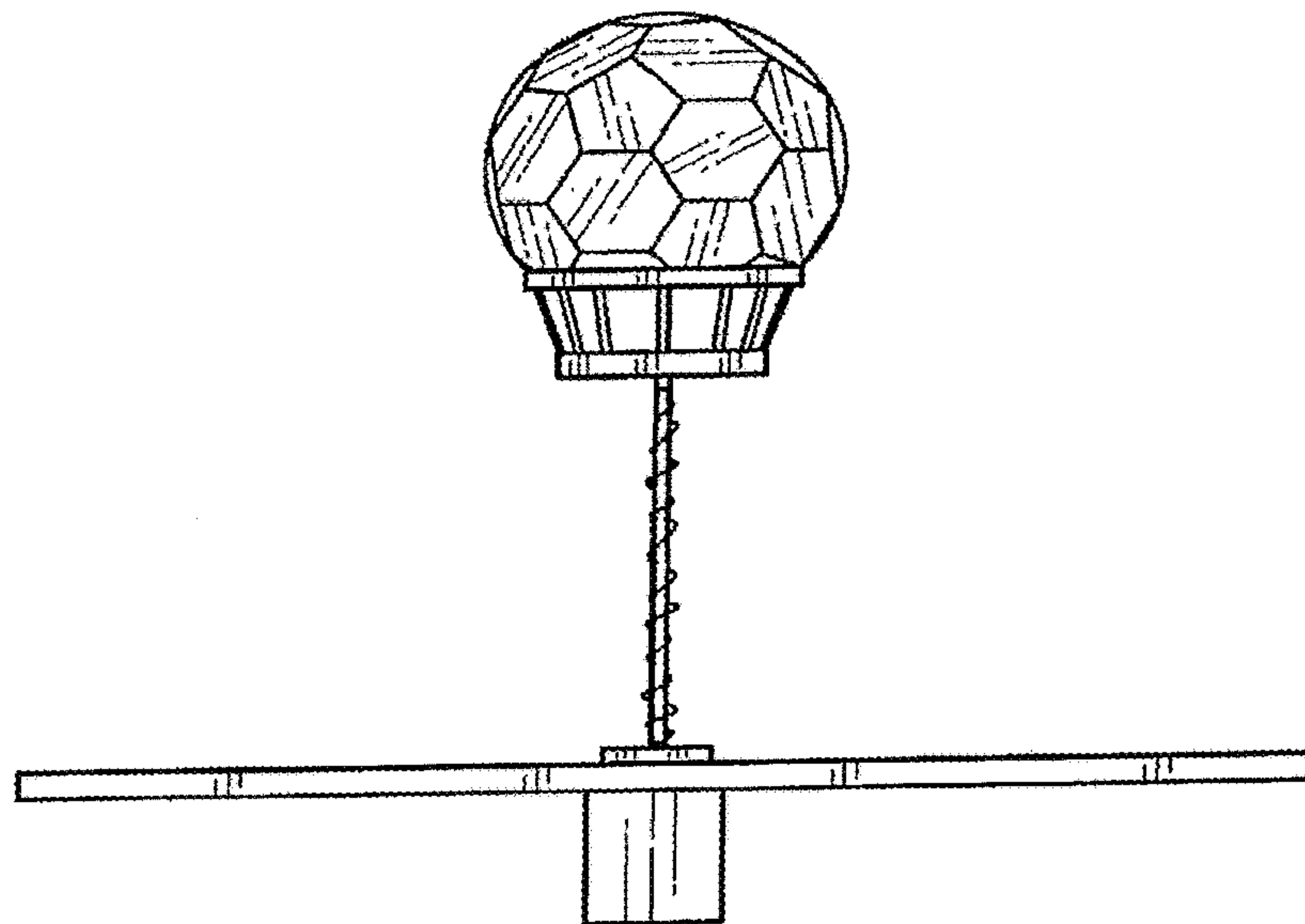


Fig. 3

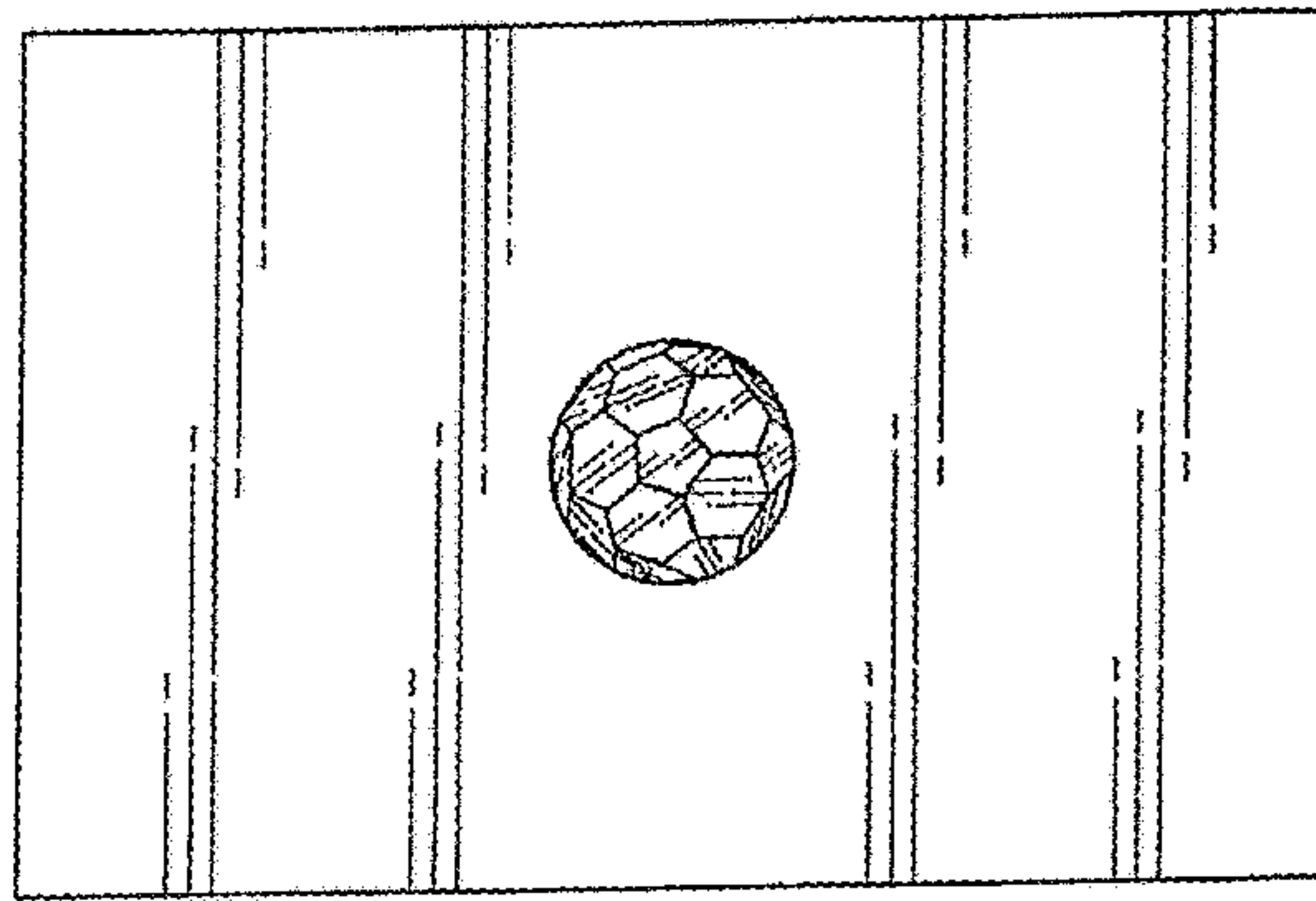


Fig. 4

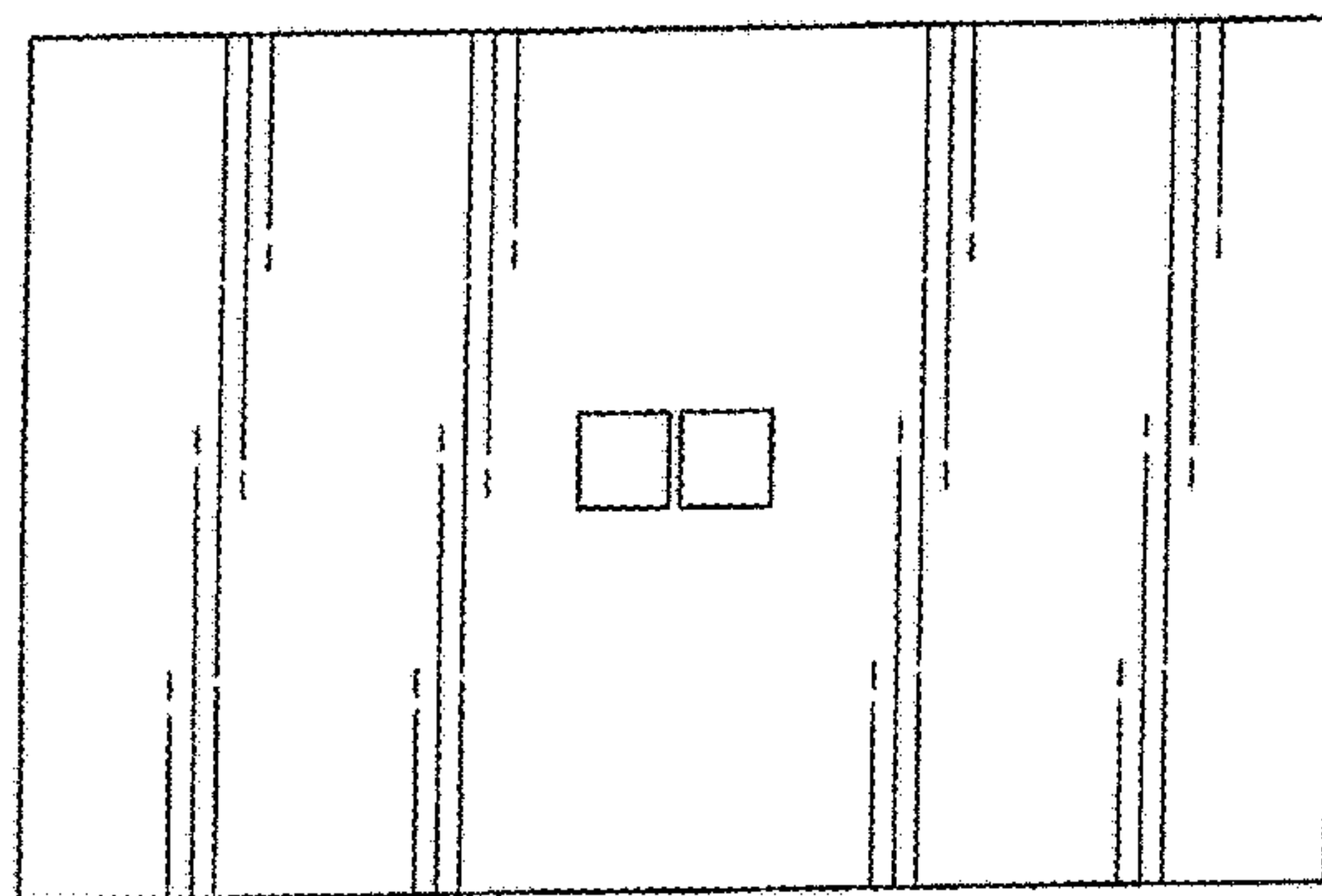


Fig. 5