



US00D845222S

(12) **United States Design Patent**
Wu

(10) **Patent No.:** **US D845,222 S**
(45) **Date of Patent:** **** Apr. 9, 2019**

- (54) **TIRE TREAD**
- (71) Applicant: **Calvin M. Wu**, Findlay, OH (US)
- (72) Inventor: **Calvin M. Wu**, Findlay, OH (US)
- (73) Assignee: **COOPER TIRE & RUBBER COMPANY**, Findlay, OH (US)
- (**) Term: **14 Years**
- (21) Appl. No.: **29/515,800**
- (22) Filed: **Jan. 27, 2015**
- (51) **LOC (11) Cl.** **12-15**
- (52) **U.S. Cl.**
USPC **D12/596**
- (58) **Field of Classification Search**
USPC D12/500–579, 580–604, 900
CPC B60C 1/0016; B60C 11/0306; B60C
11/0302; B60C 3/06; B60C 9/17
See application file for complete search history.

- D660,224 S * 5/2012 Takahashi D12/602
- D663,259 S 7/2012 Umstot et al.
- D666,137 S 8/2012 Sieber et al.
- D670,642 S 11/2012 Maxwell et al.
- D678,183 S 3/2013 Larregain
- D742,305 S * 11/2015 Tian D12/600
- D742,812 S * 11/2015 Hutz D12/600

OTHER PUBLICATIONS

Continental HDL1 Eco-Plus Tire found online [Feb. 25, 2016]
http://tiresaddict.com/vendor/continental/hdl1_eco_plus/*

* cited by examiner

Primary Examiner — Karen E Kearney
Assistant Examiner — John A Voytek
(74) *Attorney, Agent, or Firm* — Fay Sharpe LLP

(57) **CLAIM**

The ornamental design for a tire tread, as shown and described.

DESCRIPTION

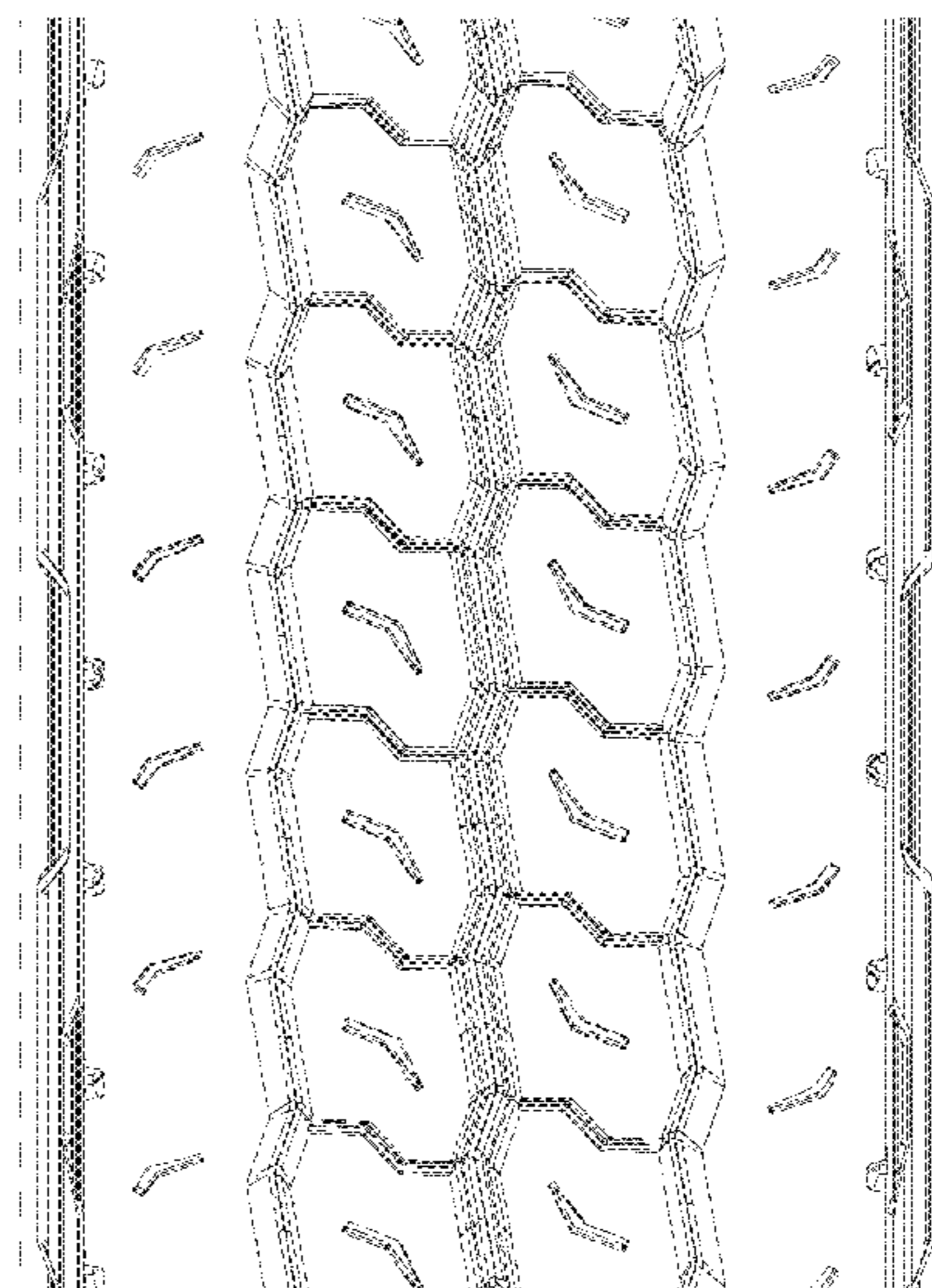
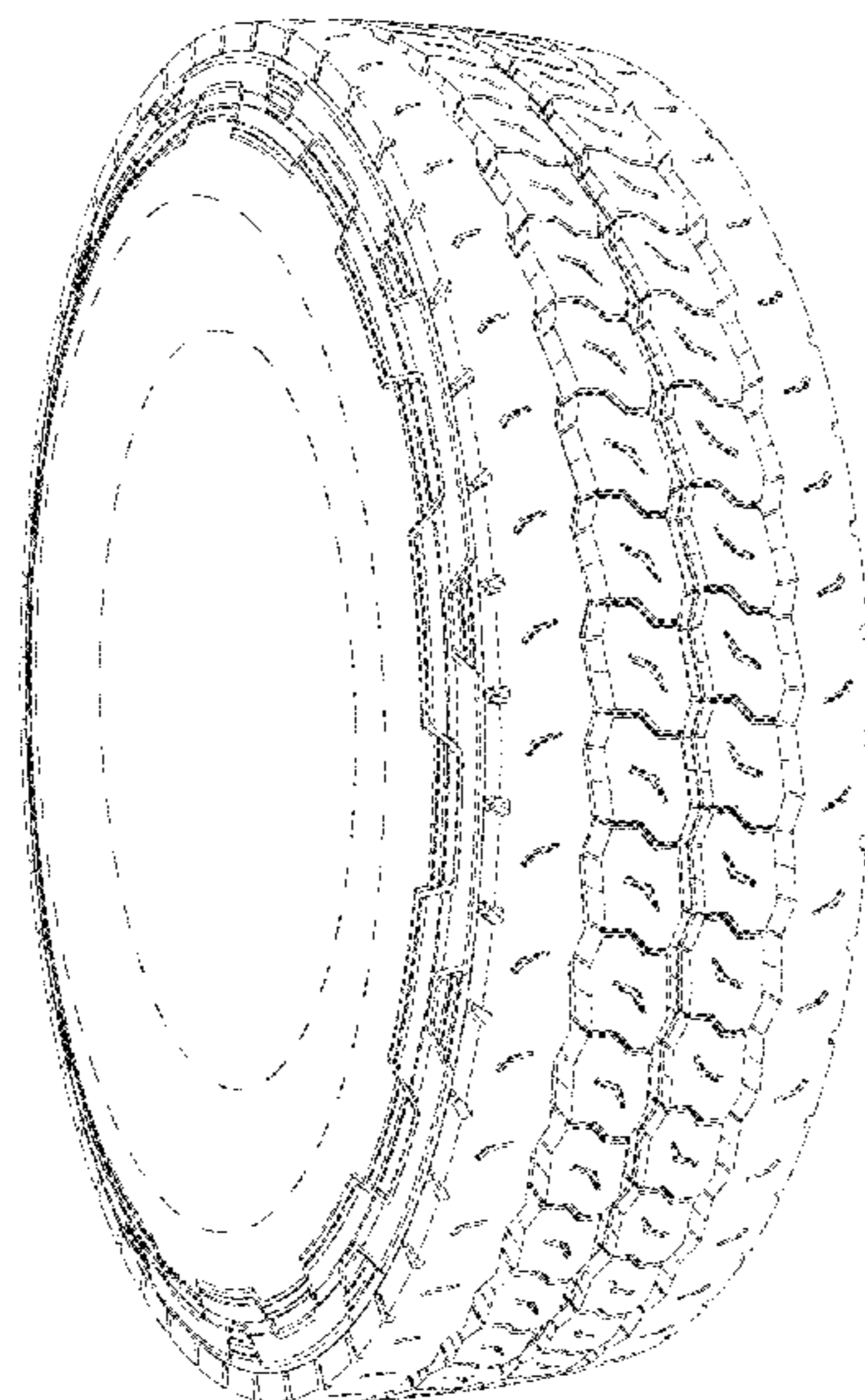
FIG. 1 is a perspective view of a tire tread of the present application;
FIG. 2 is a side view (and the other side view is identical);
FIG. 3 is a front view thereof;
FIG. 4 is an enlarged partial perspective view thereof;
FIG. 5 is an enlarged partial side view thereof; and,
FIG. 6 is an enlarged partial front view thereof.
In the drawings, the broken lines depict portions of the tire that form no part of the claimed design. Likewise, the tire interior forms no part of the claim. Further, it is understood that the circumferential broken line closest to the elements shown in solid line represent boundaries of the claim. The tire tread is understood to repeat throughout the circumference of the tire.

1 Claim, 6 Drawing Sheets

(56) **References Cited**

U.S. PATENT DOCUMENTS

- D220,603 S 4/1971 Fetty
- D324,842 S 3/1992 Covert et al.
- D354,027 S * 1/1995 Grosskopf D12/596
- D360,857 S * 8/1995 Hermann D12/598
- D384,011 S * 9/1997 Kawamata D12/597
- D500,472 S * 1/2005 Campana D12/583
- D502,683 S * 3/2005 Pang D12/602
- D512,684 S * 12/2005 Robert D12/583
- D517,472 S * 3/2006 Allison D12/602
- D554,577 S 11/2007 Miyazaki
- D573,531 S 7/2008 Lee et al.
- D578,953 S 10/2008 Umstot et al.
- D583,312 S * 12/2008 Murphy D12/596
- D610,979 S 3/2010 Maxwell et al.
- D615,486 S * 5/2010 Souchet D12/602
- D618,613 S * 6/2010 Vandaele D12/600



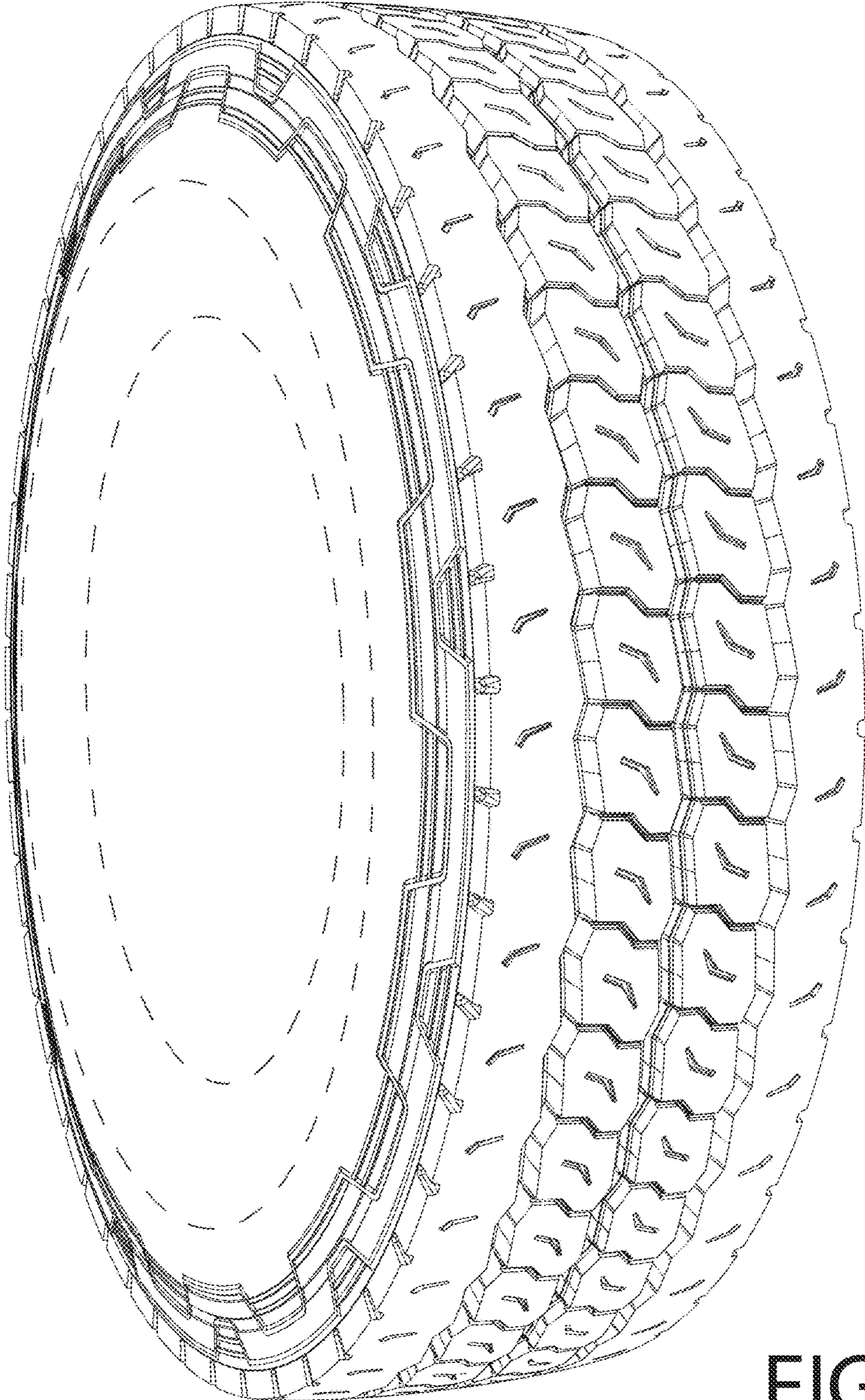


FIG. 1

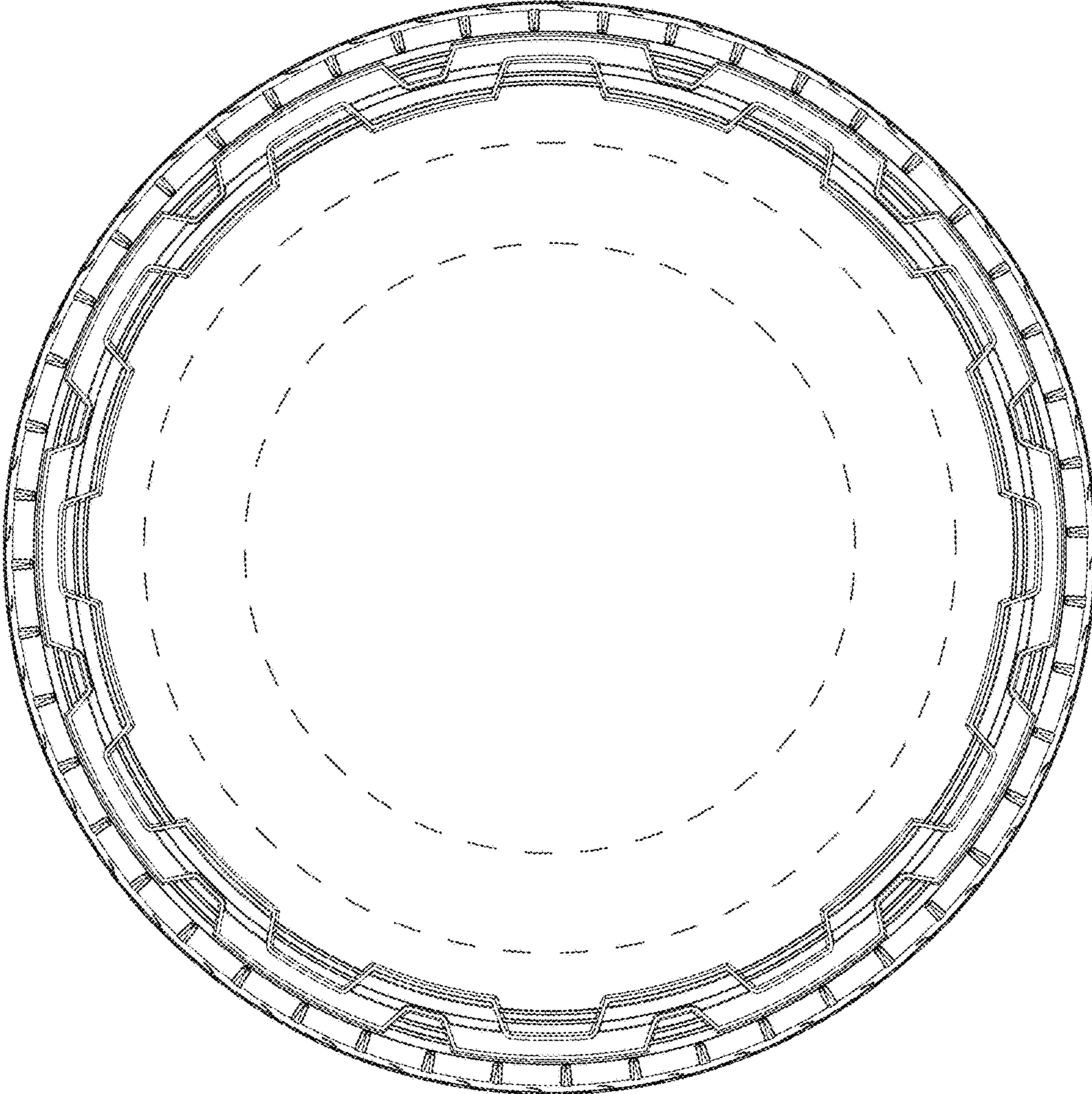


FIG. 2

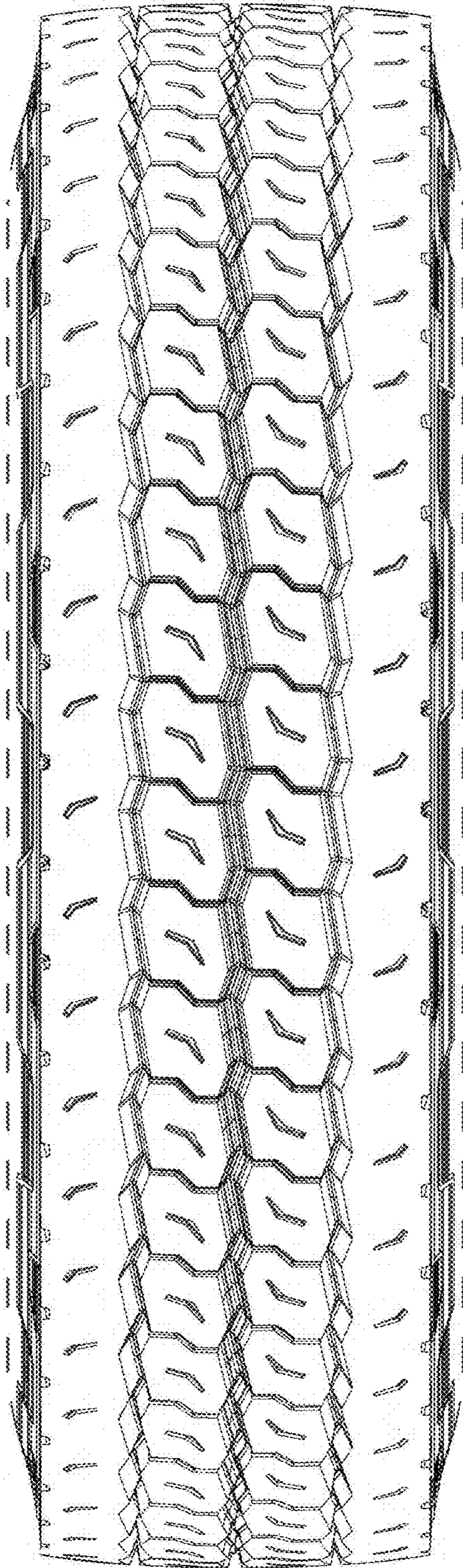


FIG. 3

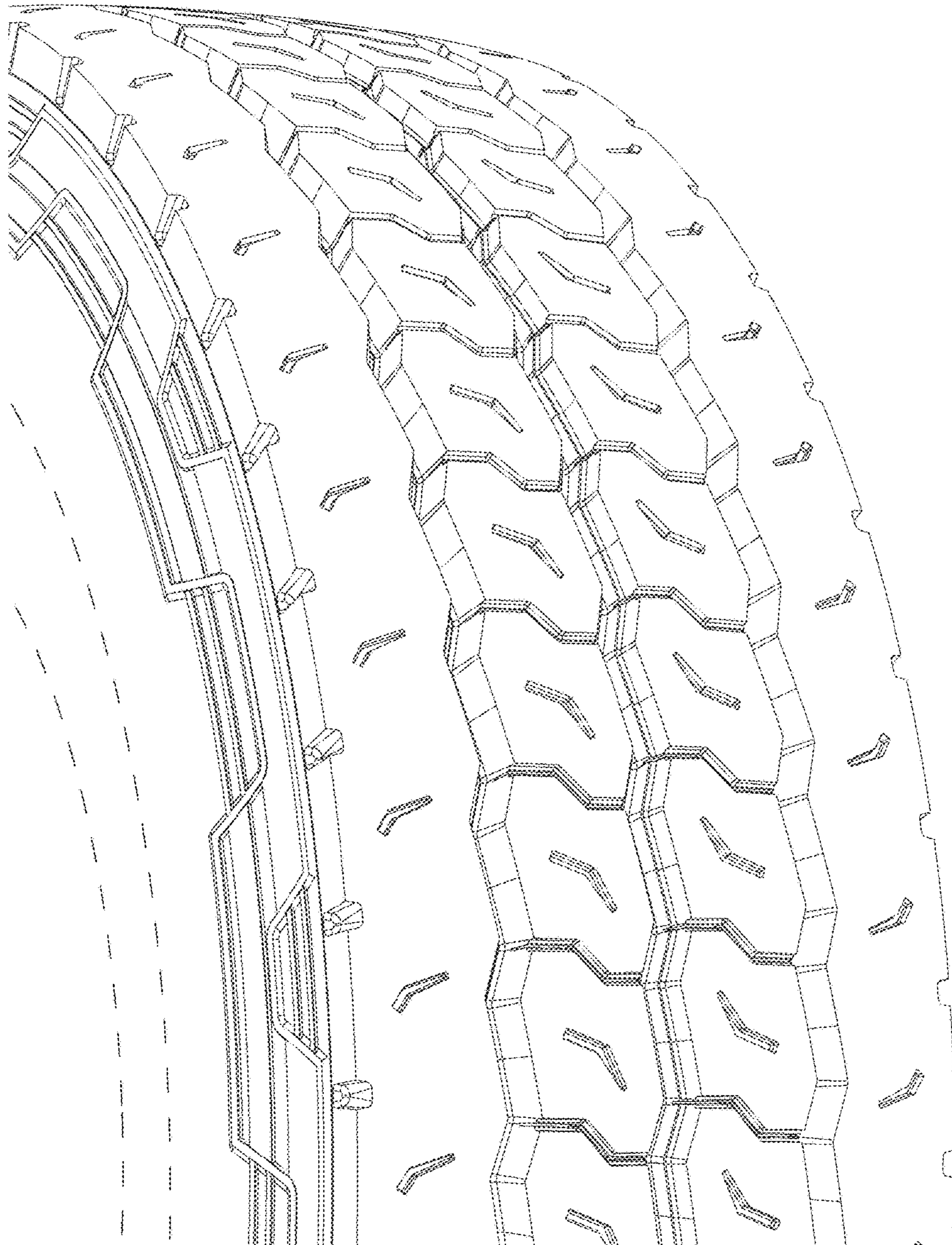


FIG. 4

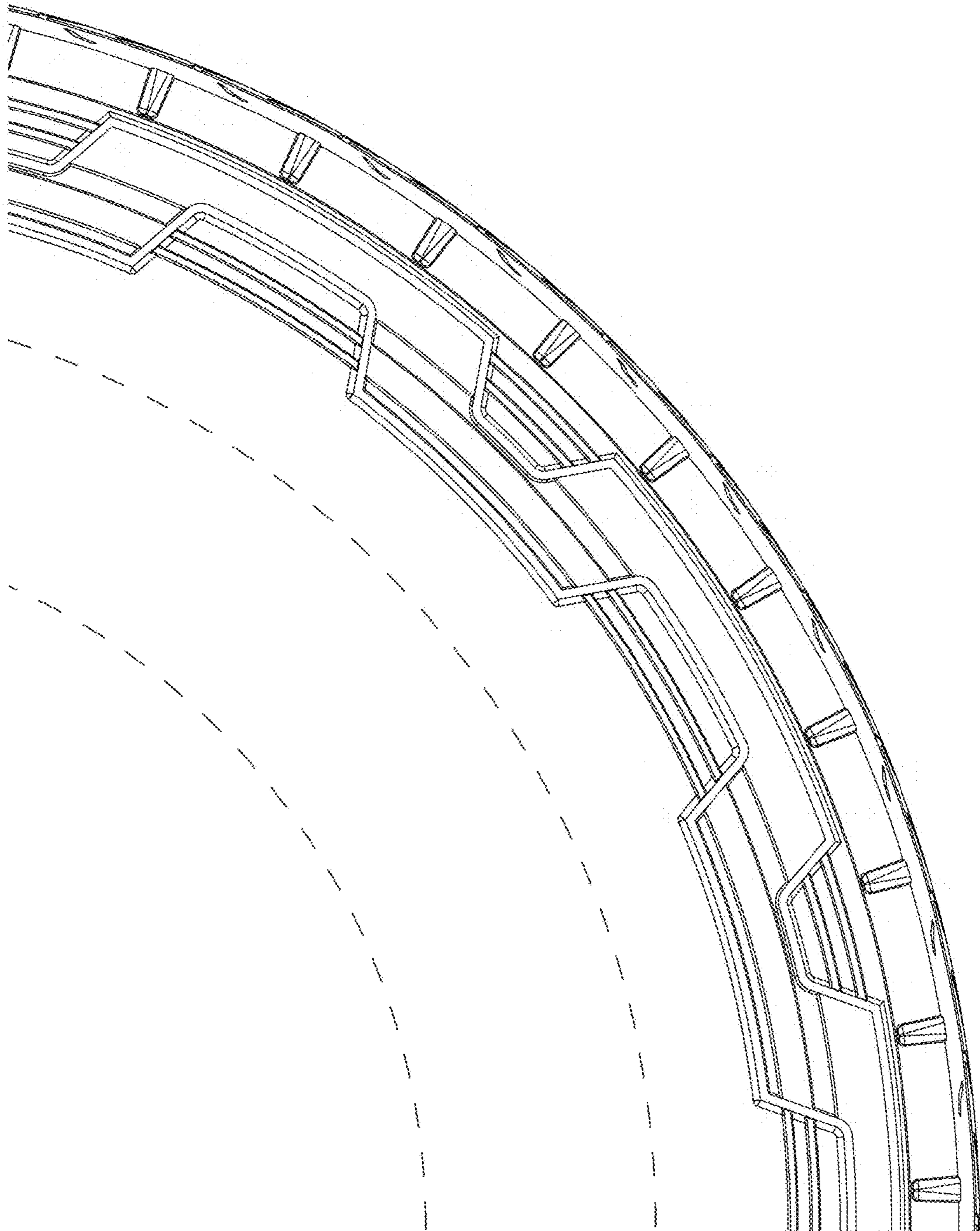


FIG. 5

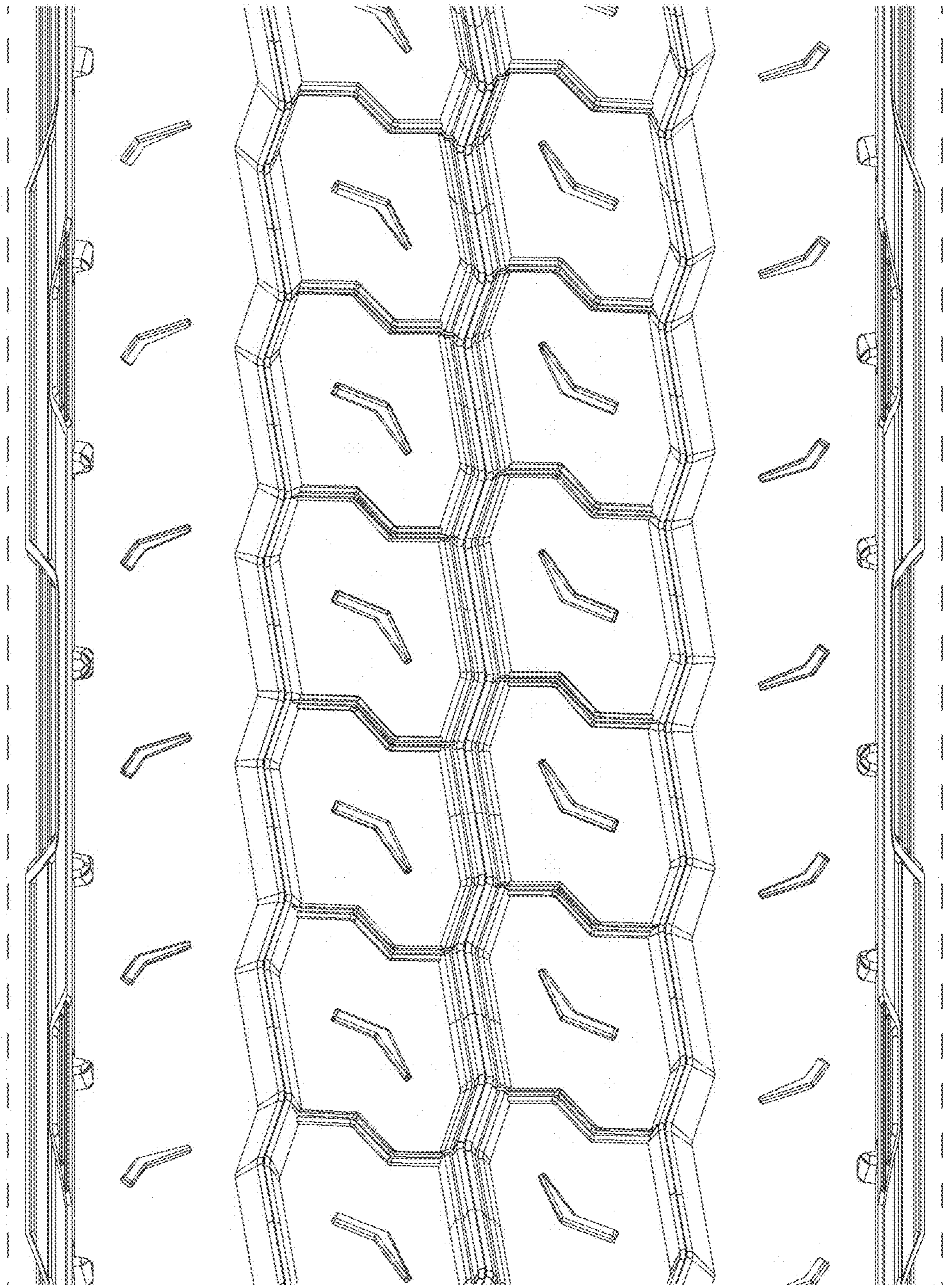


FIG. 6