



US00D845217S

(12) **United States Design Patent**
Oki

(10) **Patent No.:** **US D845,217 S**

(45) **Date of Patent:** **** Apr. 9, 2019**

(54) **MOTORCYCLE TIRE**

(71) Applicant: **BRIDGESTONE CORPORATION**,
Chuo-ku, Tokyo (JP)

(72) Inventor: **Hiroyuki Oki**, Tokyo (JP)

(73) Assignee: **BRIDGESTONE CORPORATION**,
Chuo-ku, Tokyo (JP)

(**) Term: **15 Years**

(21) Appl. No.: **29/625,888**

(22) Filed: **Nov. 14, 2017**

(30) **Foreign Application Priority Data**

May 16, 2017 (JP) 2017-010418

May 16, 2017 (JP) 2017-010419

(51) **LOC (11) Cl.** **12-15**

(52) **U.S. Cl.**
USPC **D12/536**

(58) **Field of Classification Search**

USPC D12/533-567, 604

CPC Y10T 152/10027; B60C 1/0016; B60C
11/0306; B60C 11/0302; B60C 3/06;
B60C 9/17

See application file for complete search history.

(56) **References Cited**

U.S. PATENT DOCUMENTS

D391,532 S * 3/1998 Lo D12/536

D466,861 S * 12/2002 Lo D12/571

D521,926 S * 5/2006 Matsumura D12/536

D581,348 S * 11/2008 Sueishi D12/536

D584,678 S * 1/2009 Sueishi D12/536

(Continued)

FOREIGN PATENT DOCUMENTS

JP 1459393 S 1/2013

OTHER PUBLICATIONS

HA2200334800, Ōtobai, (Motor Magazine Ltd.), Jun. 11, 2010,
Retrieved from the Known Design Database of the Japan Patent
Office using Internet, <URL: https://www.j-platpat.inpit.go.jp/web/ishou/dpdj/DPDJ_GM301_Detailed.action>.

(Continued)

Primary Examiner — Brandon M Rosati

Assistant Examiner — John A Voytek

(74) *Attorney, Agent, or Firm* — Kenja IP Law PC

(57) **CLAIM**

The ornamental design for a motorcycle tire, as shown and
described.

DESCRIPTION

FIG. 1 is a perspective view of a first embodiment of a
motorcycle tire showing my new design;

FIG. 2 is a front view thereof;

FIG. 3 is a top view thereof;

FIG. 4 is a right side view thereof;

FIG. 5 is a fragmentary enlarged front view showing the
details of the tire thread thereof;

FIG. 6 is a section view taken along line 6-6 in FIG. 5;

FIG. 7 is a section view taken along line 7-7 in FIG. 5;

FIG. 8 is a perspective view of a second embodiment of a
motorcycle tire showing my new design;

FIG. 9 is a front view thereof;

FIG. 10 is a top view thereof;

FIG. 11 is a right side view thereof;

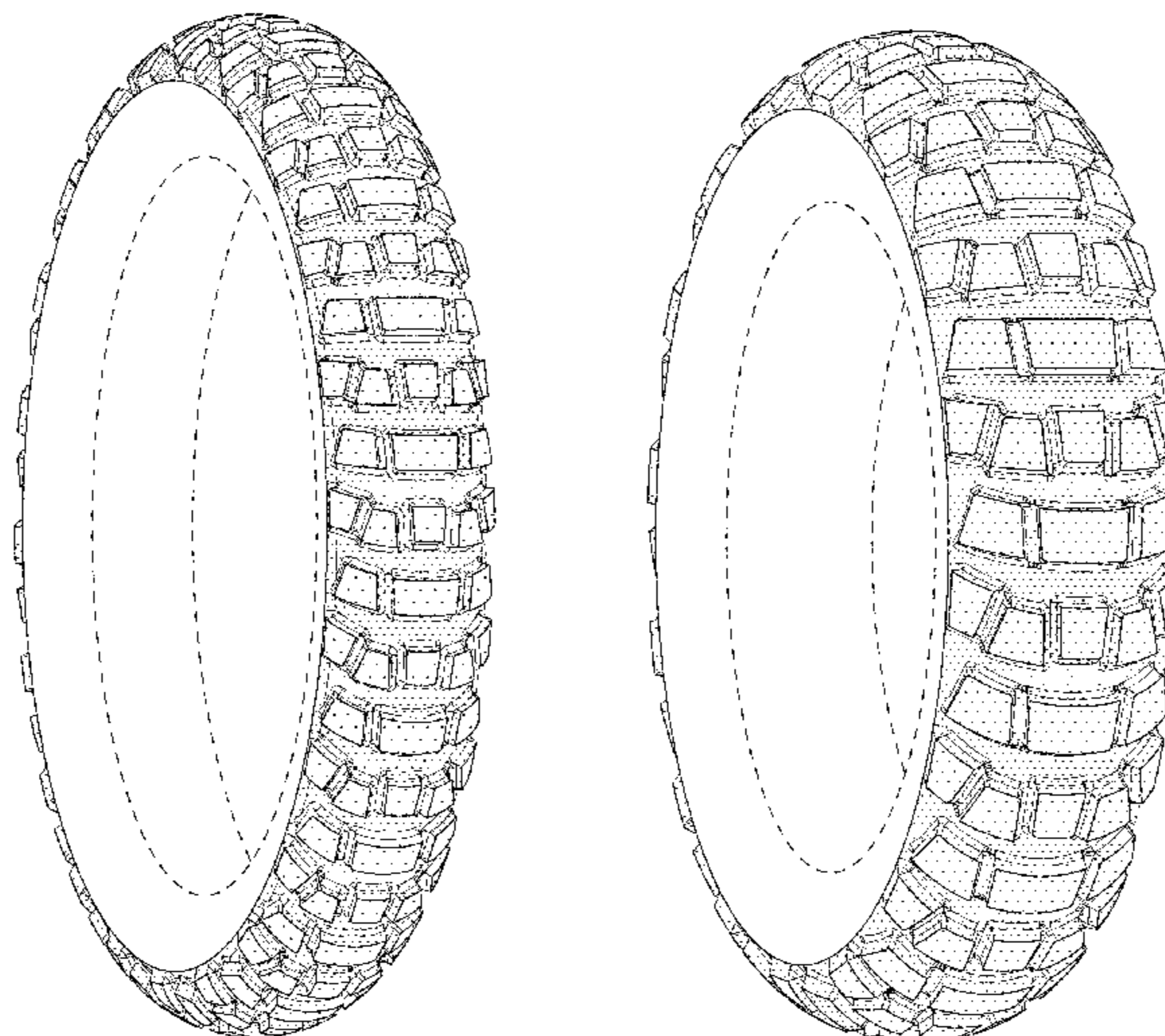
FIG. 12 is a fragmentary enlarged front view showing the
details of the tire thread thereof;

FIG. 13 is a section view taken along line 13-13 in FIG. 12;
and,

FIG. 14 is a section view taken along line 14-14 in FIG. 12.

The broken lines are for the purpose of showing environ-
mental structure only and form no part of the claimed
design.

1 Claim, 14 Drawing Sheets



(56)

References Cited

U.S. PATENT DOCUMENTS

D626,498 S * 11/2010 Rossignaud D12/536
D685,317 S * 7/2013 Lo D12/536
D717,236 S * 11/2014 Larregain D12/536
D811,317 S * 2/2018 Shirakami D12/536
D816,013 S * 4/2018 Roziere D12/536

OTHER PUBLICATIONS

HB2500098200, Motor Cycle Trader, (Seven Kings Publications Limited), Jun. 21, 2013, Retrieved from the Known Design Database of the Japan Patent Office using Internet, <URL: https://www.j-platpat.inpit.go.jp/web/ishou/dpdj/DPDJ_GM301_Detailed.action>.

HJ2706368600, Website <URL: http://www.michelin.co.jp/Home/News-Promotions/News/20160225_2>, (Nihon Michelin Tire Co., Ltd.), Mar. 25, 2016, [database online], [retrieved on Mar. 2, 2016], Retrieved from the Known Design Database of the Japan Patent Office using Internet, <URL: https://www.j-platpat.inpit.go.jp/web/ishou/dpdj/DPDJ_GM301_Detailed.action>.

* cited by examiner

FIG. 1

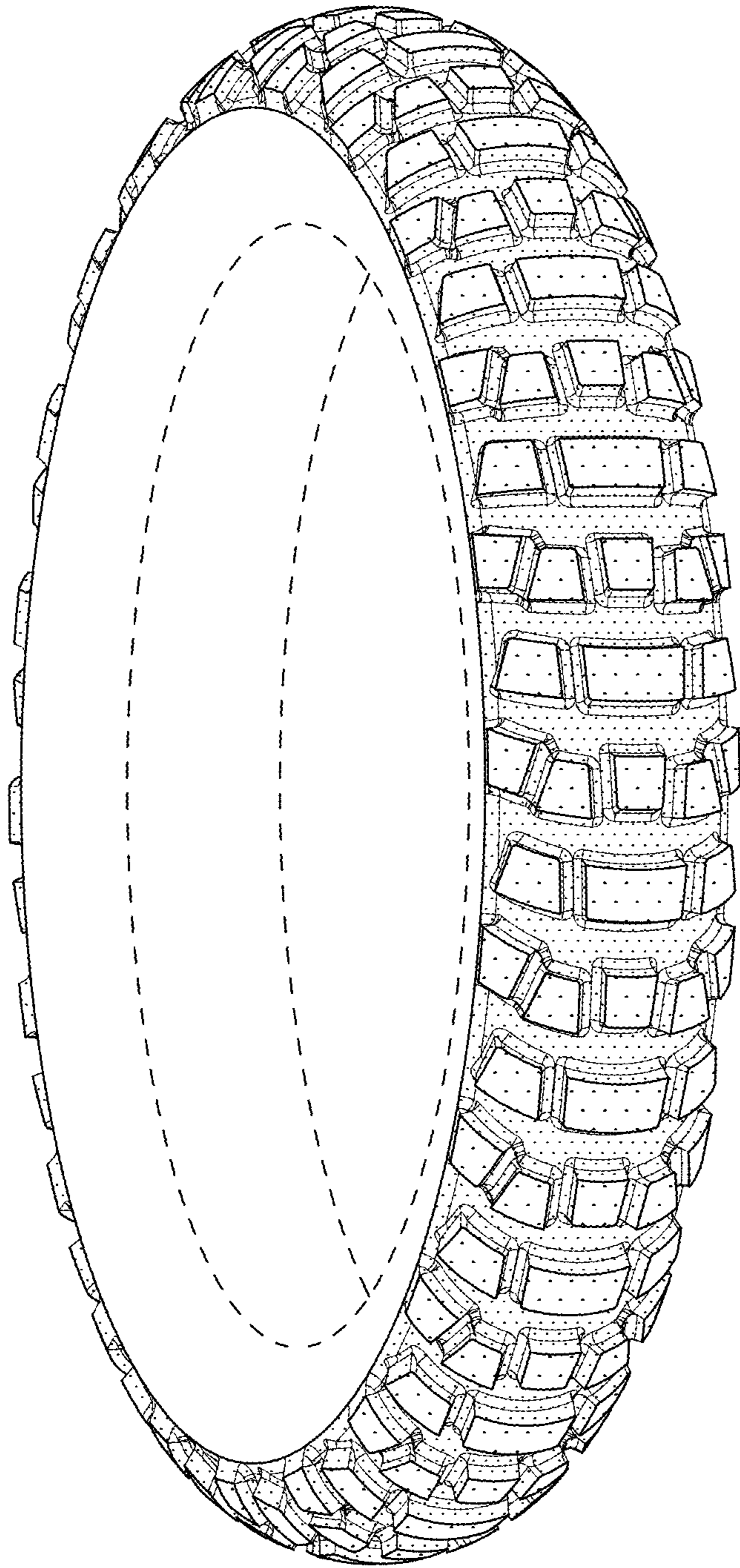


FIG. 2

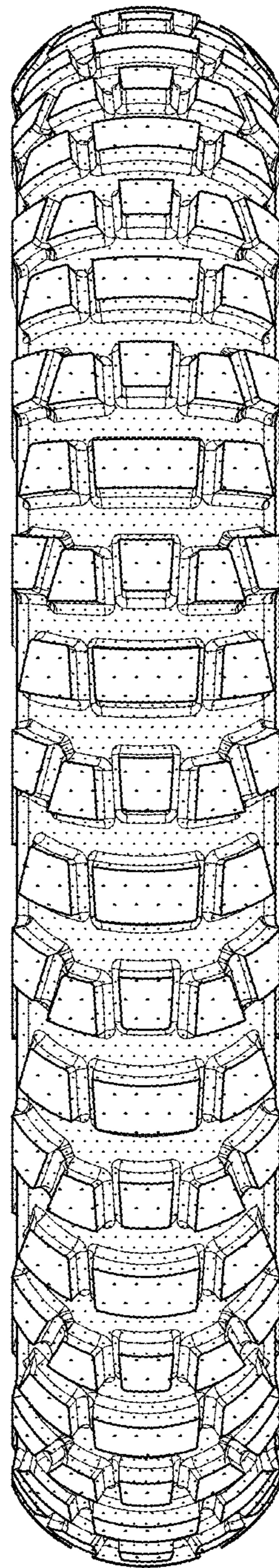


FIG. 3

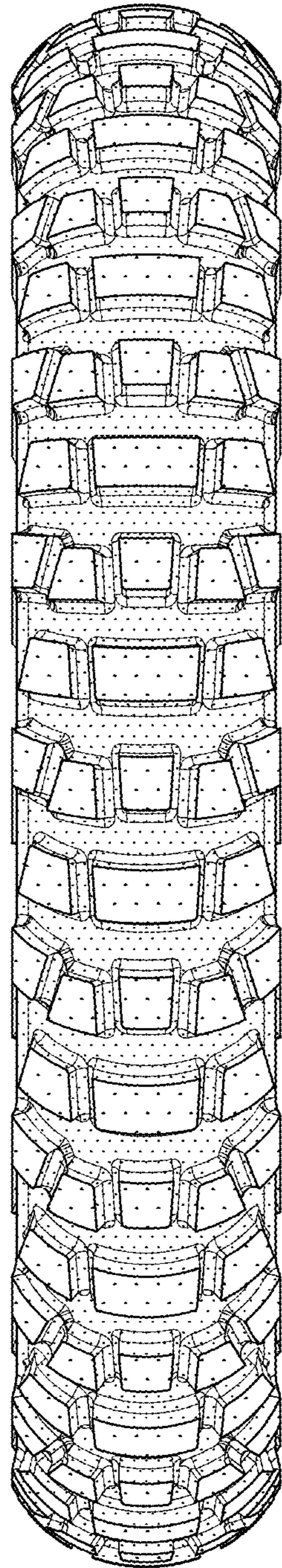


FIG. 4

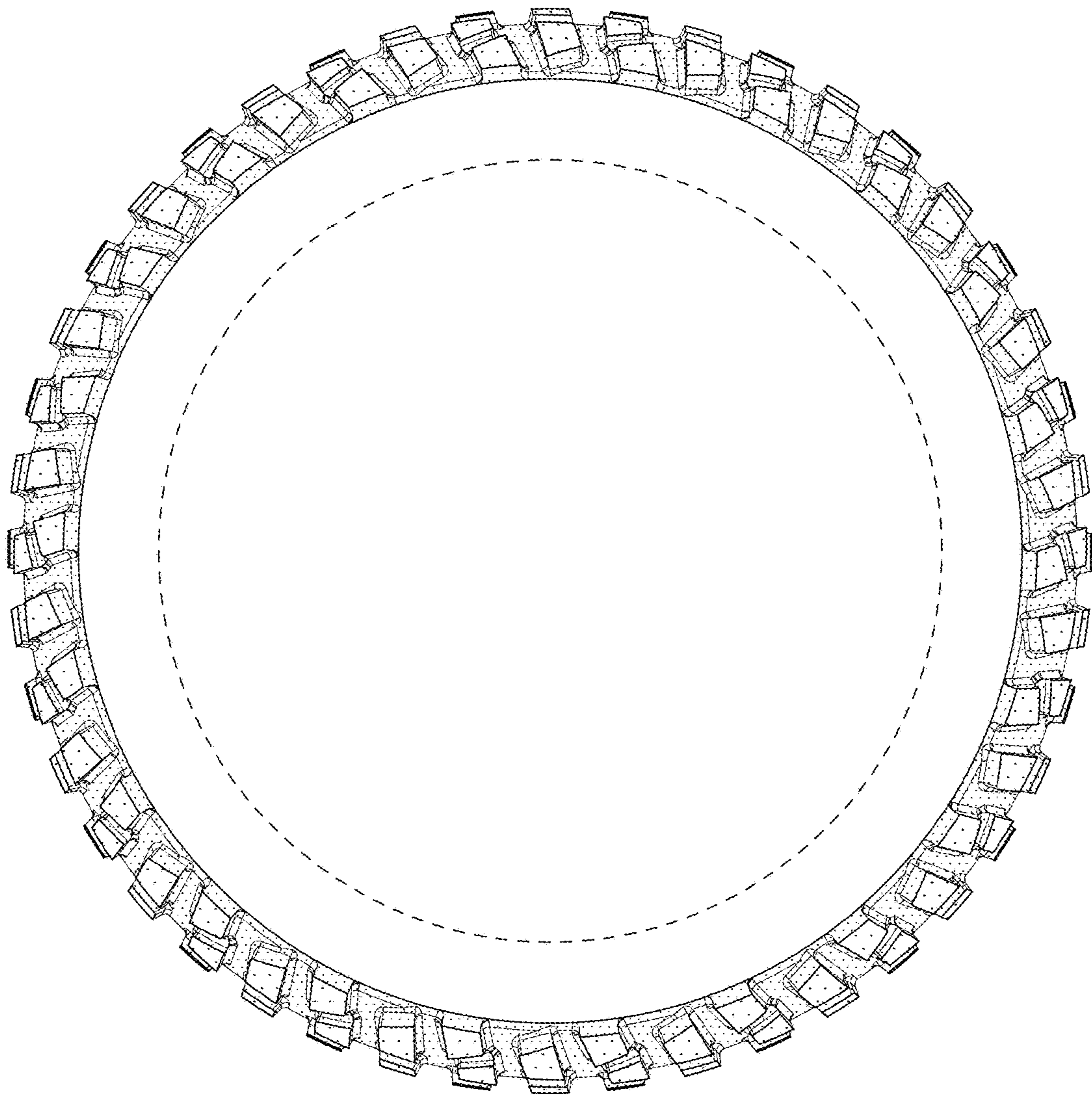


FIG. 5

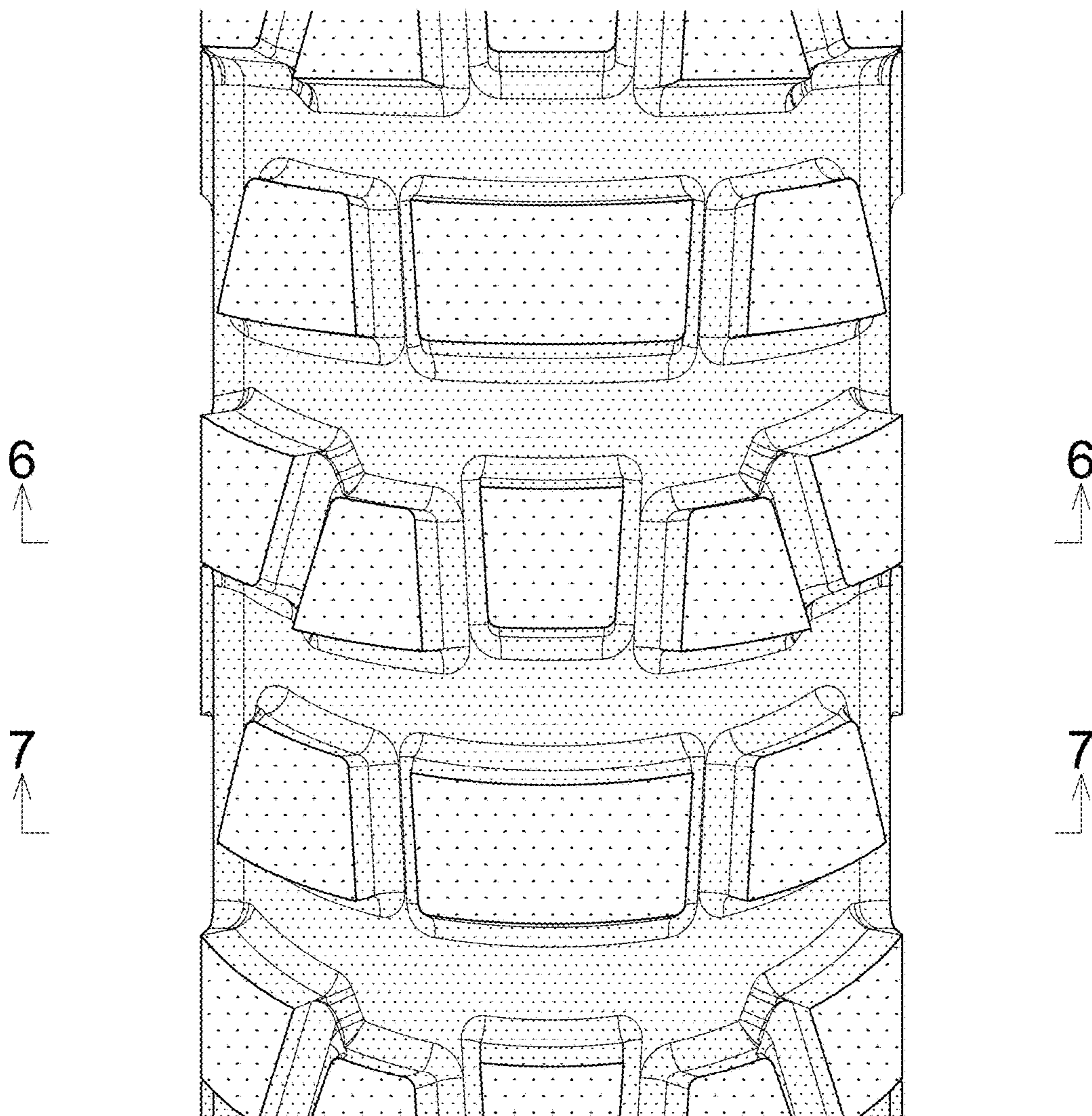


FIG. 6

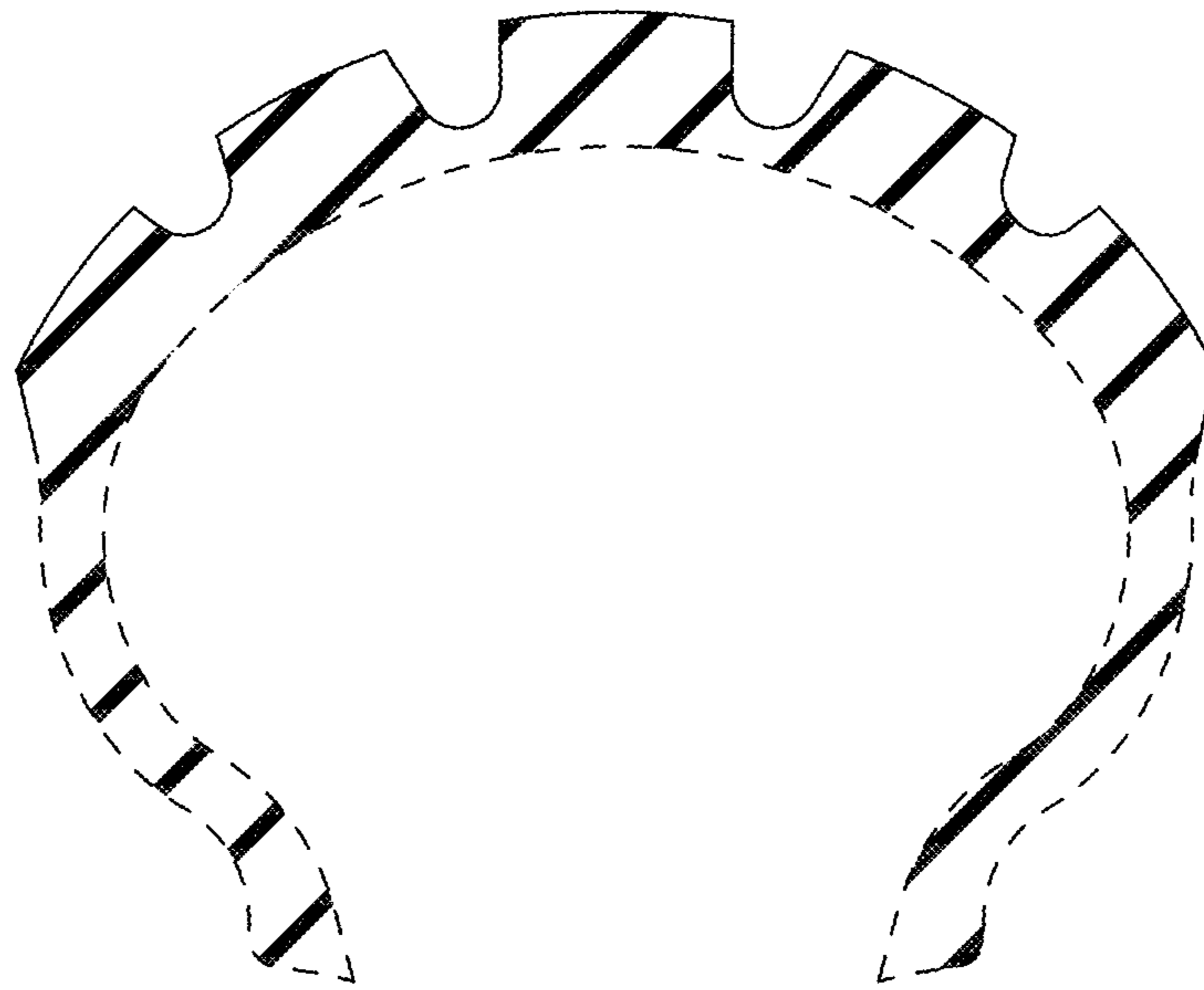


FIG. 7

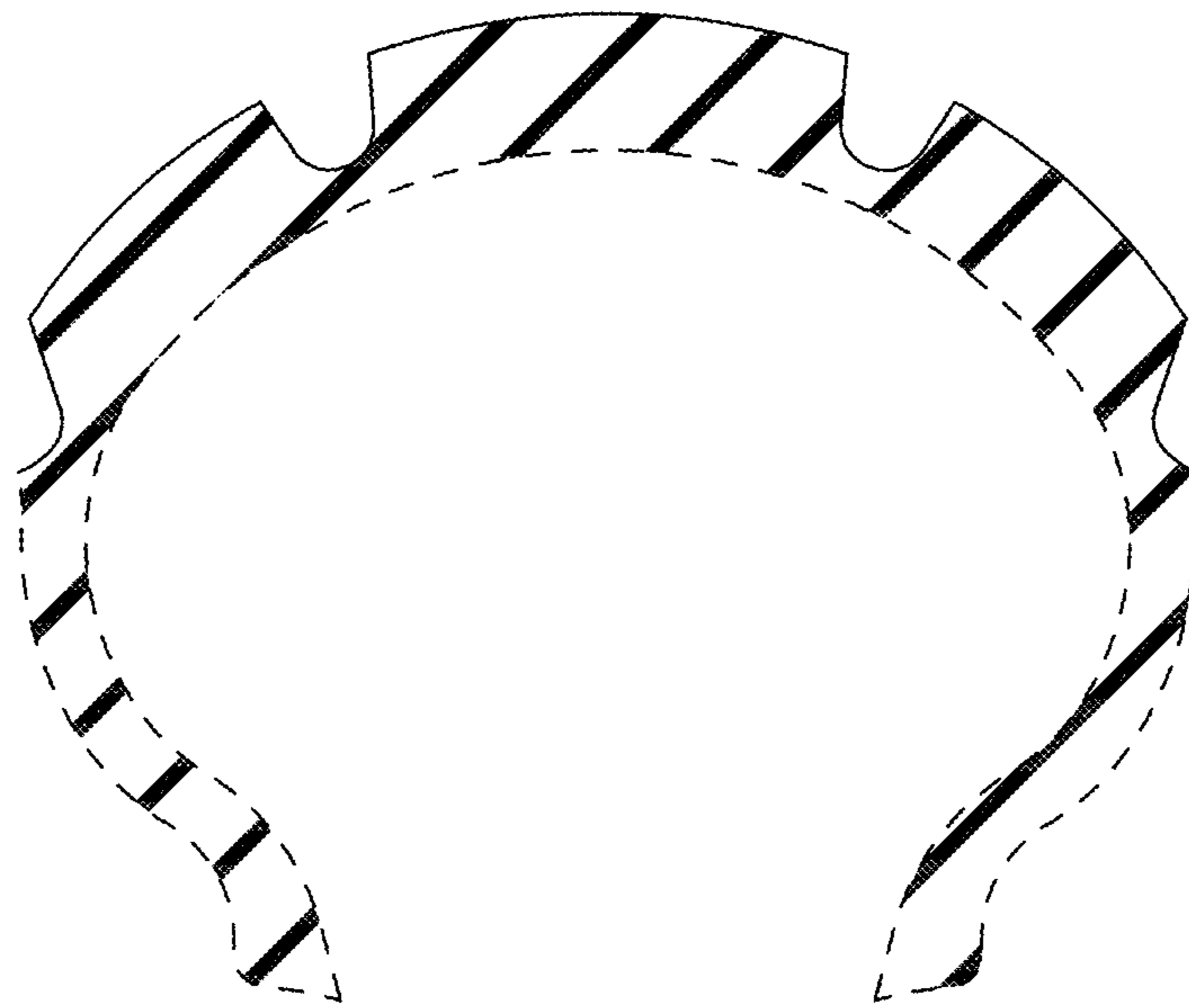


FIG. 8

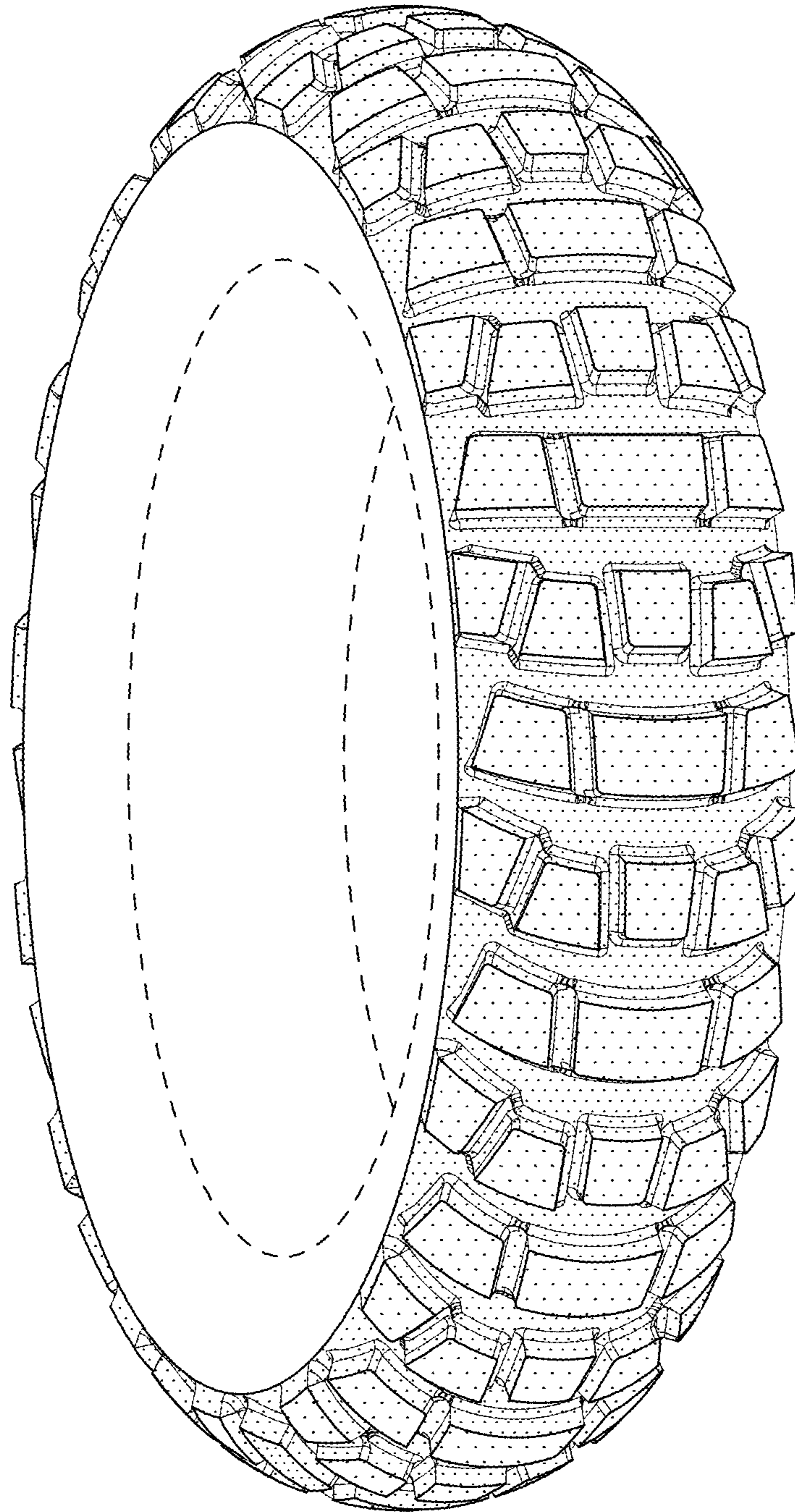


FIG. 9

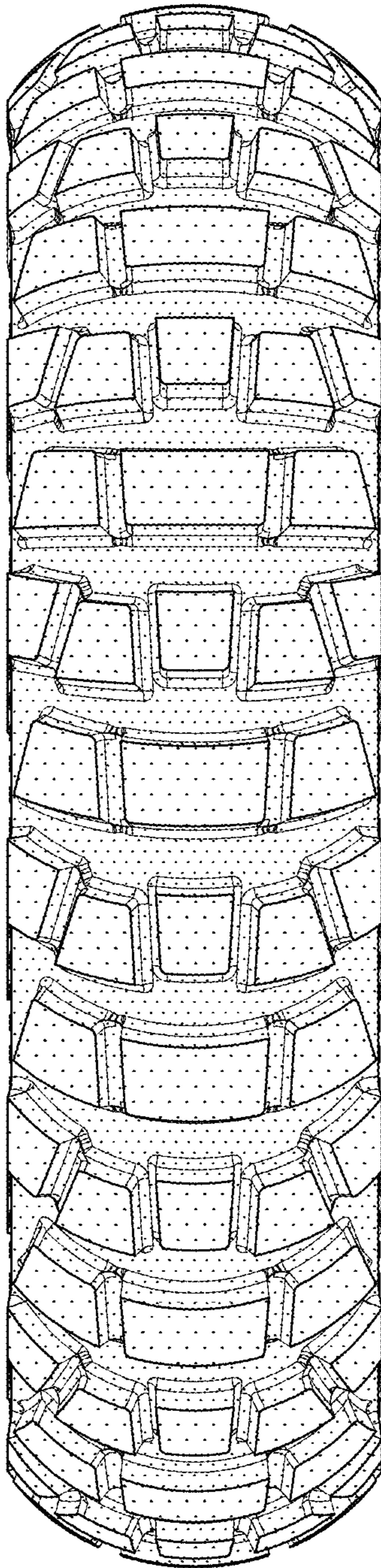


FIG. 10

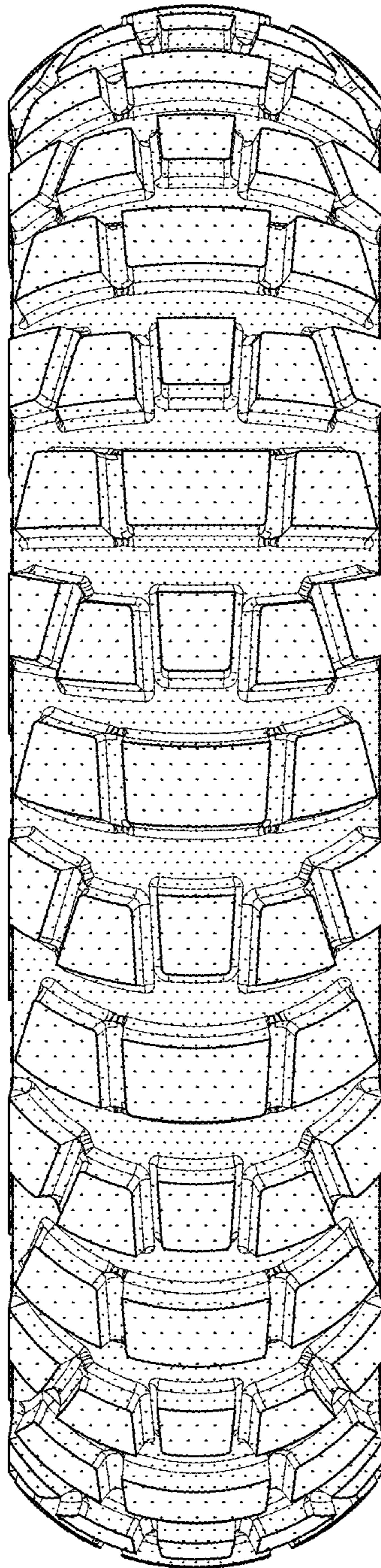


FIG. 11

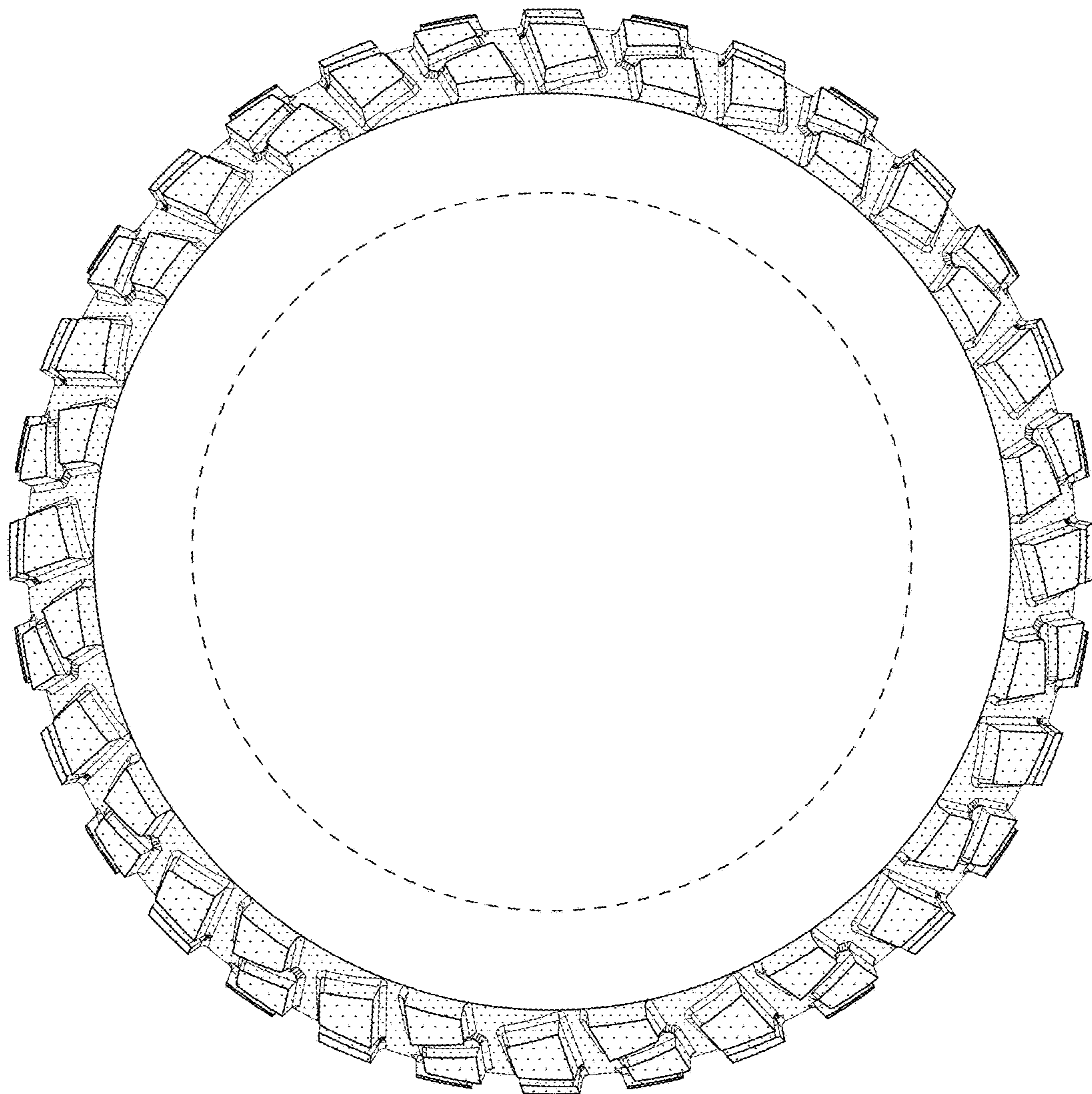


FIG. 12

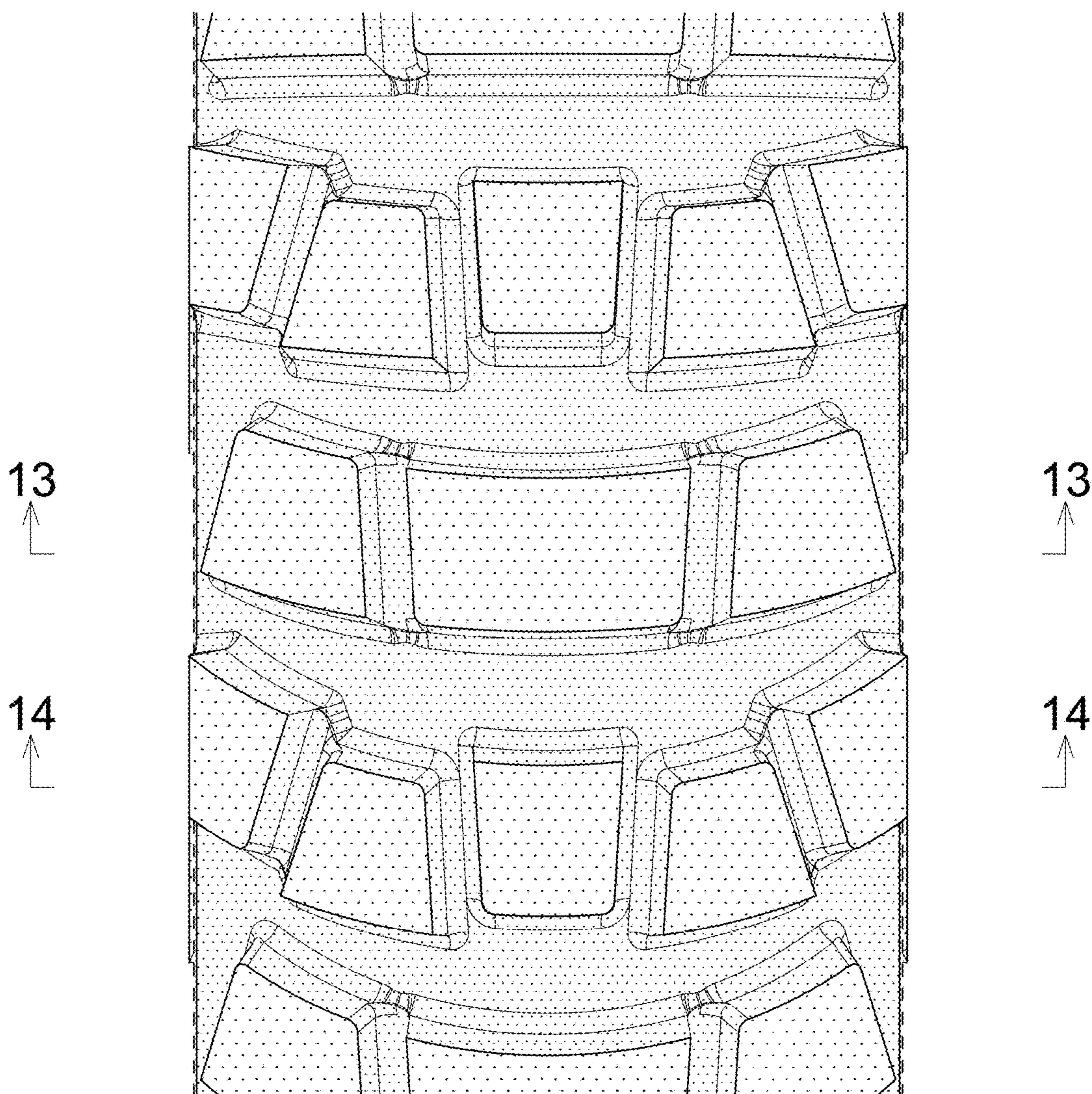


FIG. 13

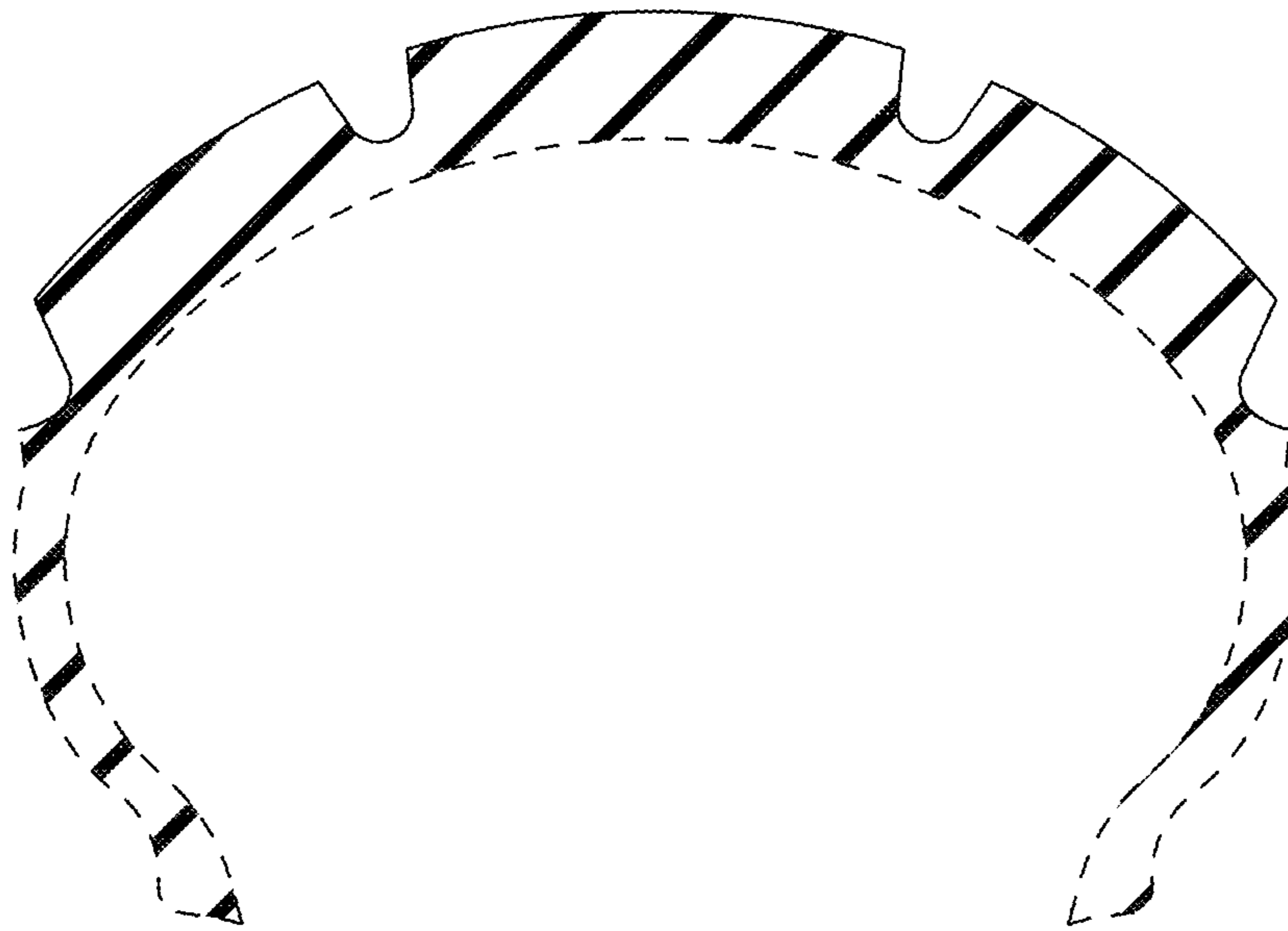


FIG. 14

