



US00D845211S

(12) **United States Design Patent**
Baek

(10) **Patent No.:** **US D845,211 S**

(45) **Date of Patent:** **** Apr. 9, 2019**

(54) **INTERIOR LAMP FOR A VEHICLE**

(71) Applicant: **LS AUTOMOTIVE CORP**, Ansan-si,
Gyeonggi-do (KR)

(72) Inventor: **Yeong Hyeon Baek**, Cheonan-si (KR)

(73) Assignee: **LS AUTOMOTIVE
TECHNOLOGIES CO., LTD.**,
Anyang-si, Gyeonggi-Do (KR)

(**) Term: **15 Years**

(21) Appl. No.: **29/602,597**

(22) Filed: **May 2, 2017**

(30) **Foreign Application Priority Data**

Nov. 2, 2016 (KR) 30-2016-00052627

(51) **LOC (11) Cl.** **12-16**

(52) **U.S. Cl.**
USPC **D12/418**

(58) **Field of Classification Search**
USPC D12/415-426.1, 400, 195, 190, 345, 96,
D12/99; D9/423; D3/319
CPC B60R 2011/0028; B60R 11/00
See application file for complete search history.

(56) **References Cited**

U.S. PATENT DOCUMENTS

D413,856 S * 9/1999 Scribner D12/418
D489,044 S * 4/2004 Bremenkamp D14/132

D550,608 S * 9/2007 Vitito D12/418
D569,784 S * 5/2008 Vitto D12/418
D580,345 S * 11/2008 Paxton D12/418
D598,839 S * 8/2009 Wilhelm D12/418
D724,003 S * 3/2015 Fonseca D12/418
D756,891 S * 5/2016 Roth D12/418
9,446,718 B2 * 9/2016 Alberto B60R 11/00
D813,146 S * 3/2018 Donckerwolke D12/418

* cited by examiner

Primary Examiner — Katrina A Betton

(74) *Attorney, Agent, or Firm* — Rabin & Berdo, P.C.

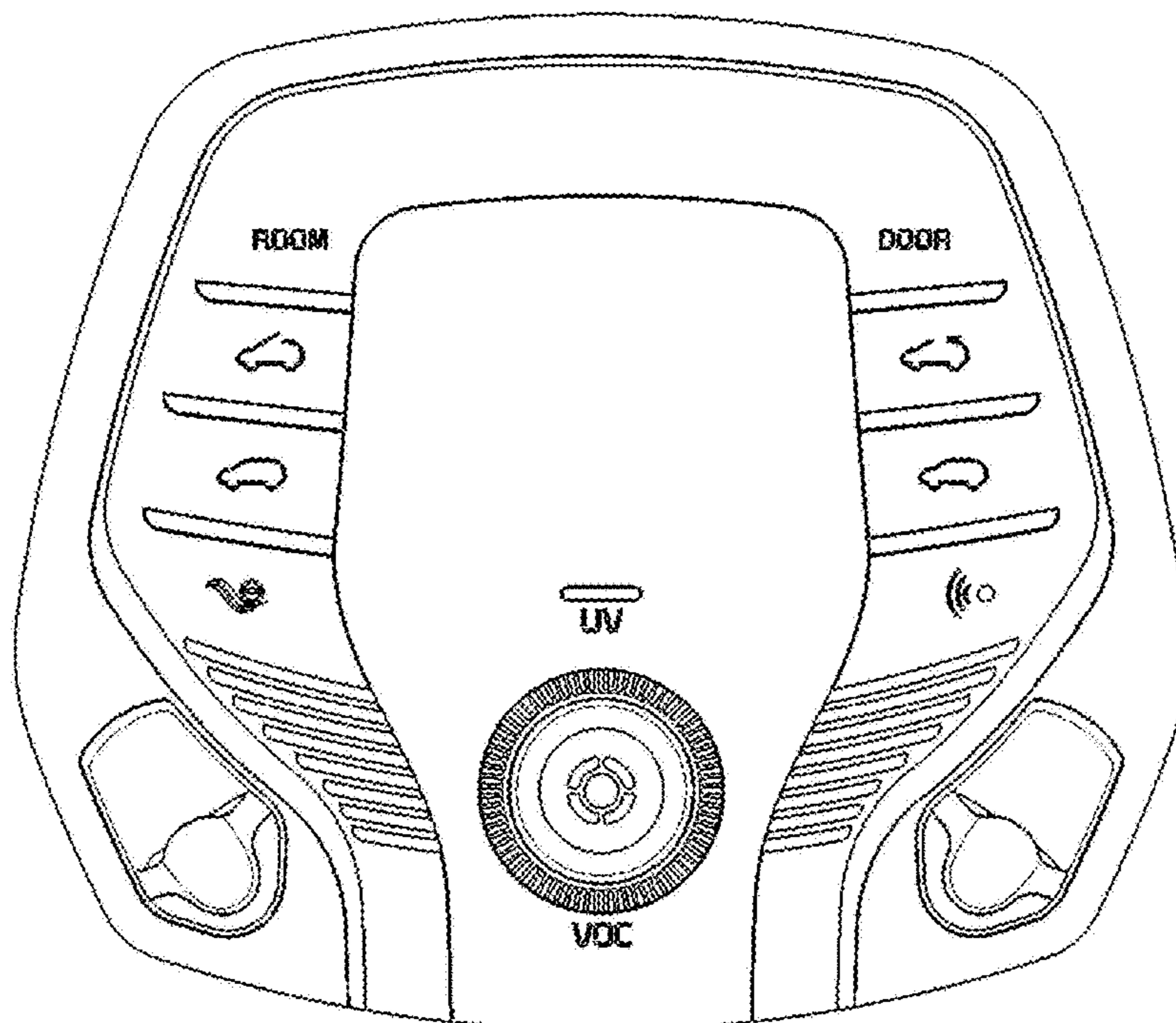
(57) **CLAIM**

The ornamental design for an interior lamp for a vehicle, as shown and described.

DESCRIPTION

FIG. 1 is a top perspective view of an interior lamp for a vehicle;
FIG. 2 is a front elevational view thereof;
FIG. 3 is a rear elevational view thereof;
FIG. 4 is a left side elevational view thereof;
FIG. 5 is a right side elevational view thereof;
FIG. 6 is a top plan view thereof; and,
FIG. 7 is a bottom plan view thereof.

1 Claim, 5 Drawing Sheets



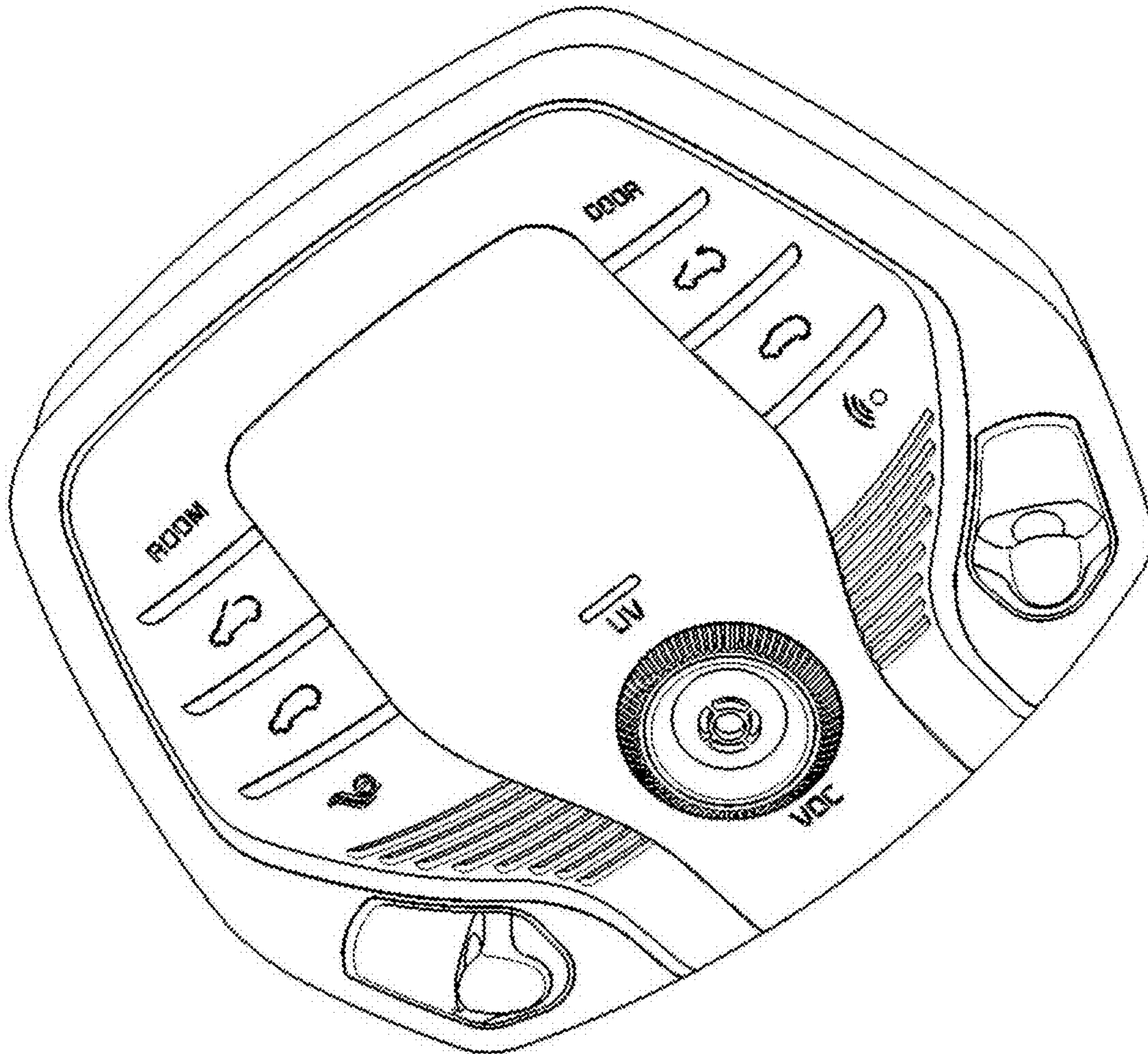


FIG. 1

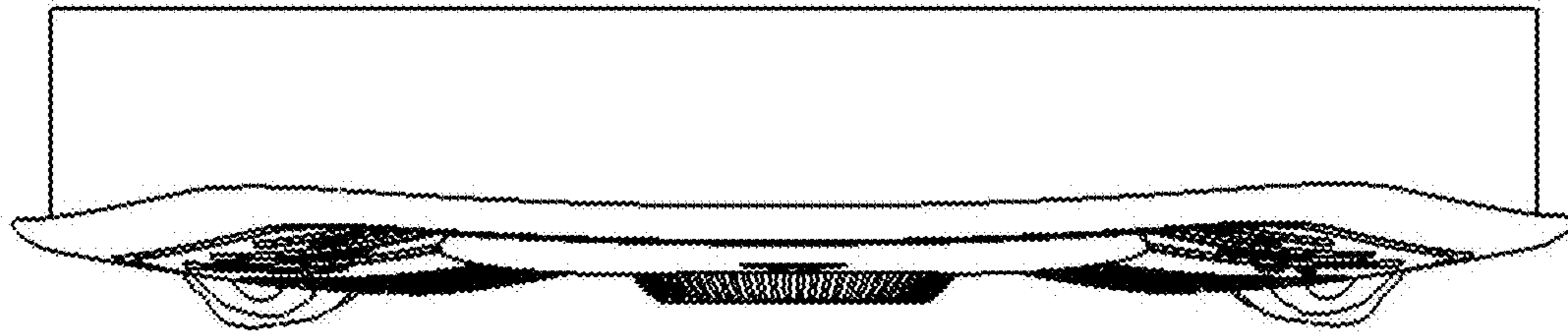


FIG. 2

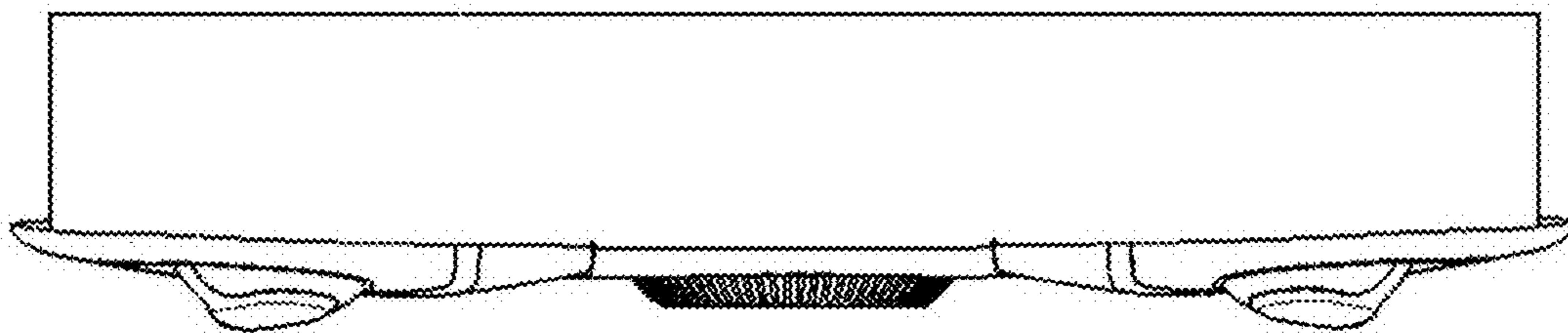


FIG. 3



FIG. 4

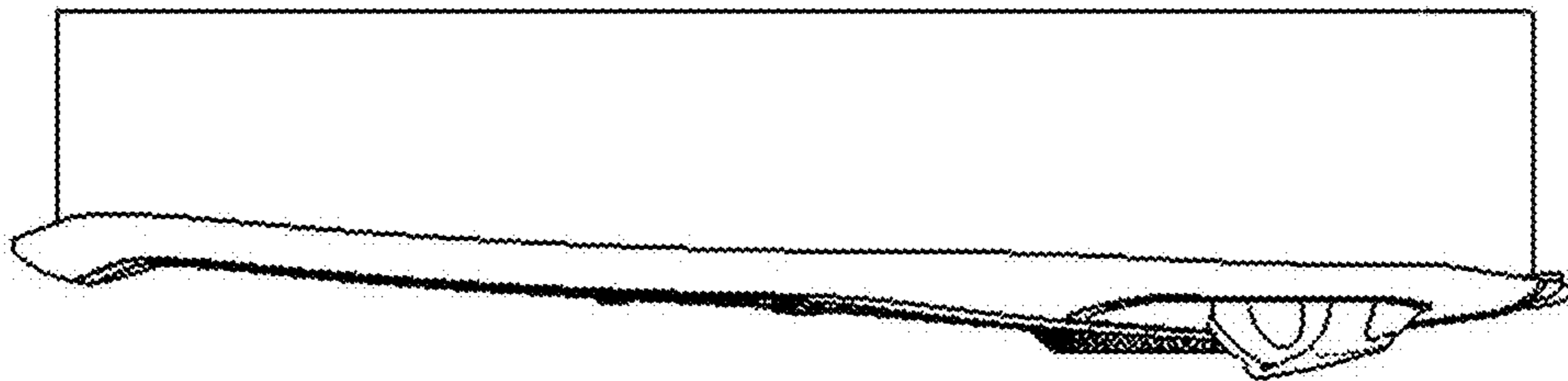


FIG. 5

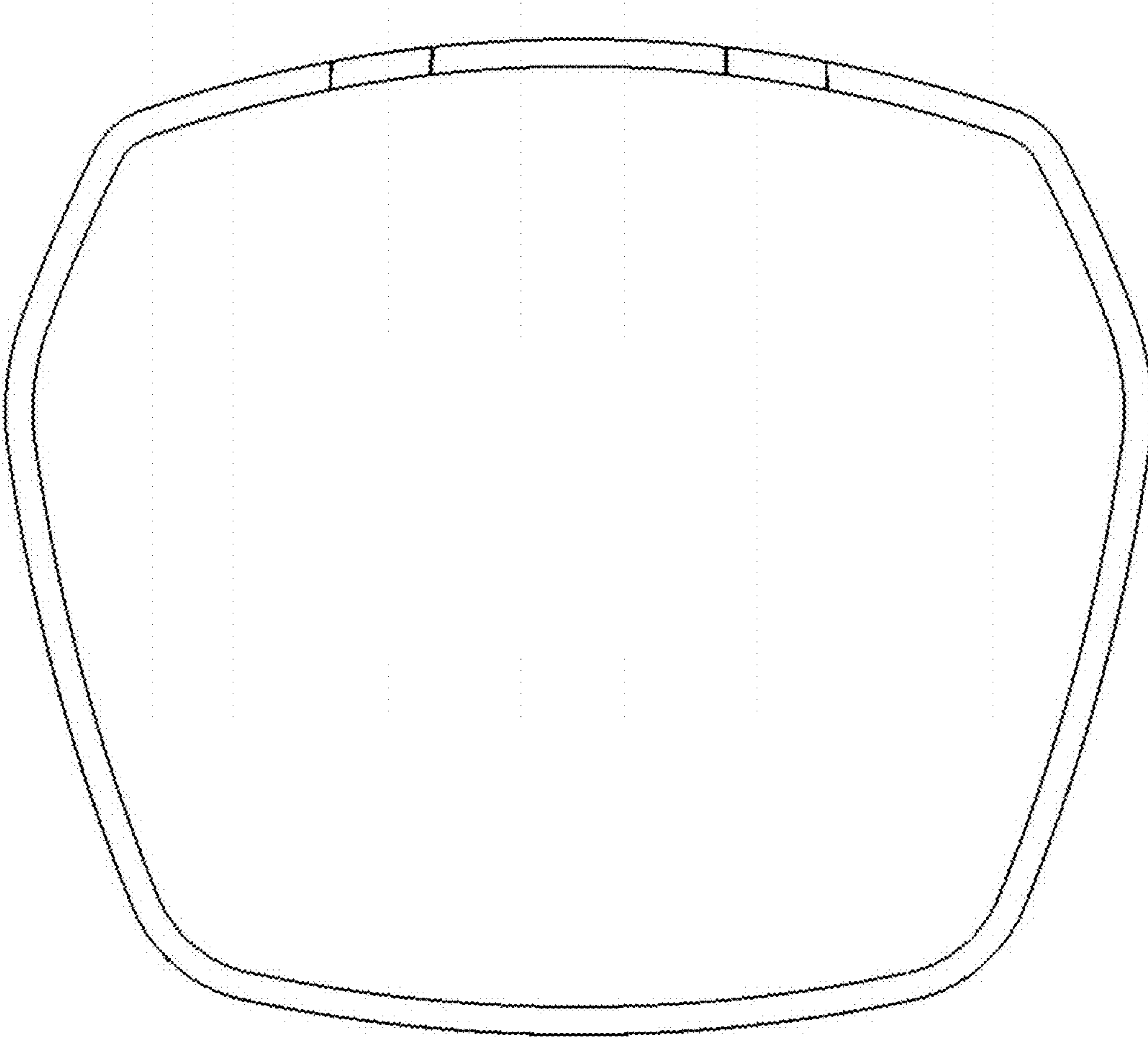


FIG. 6

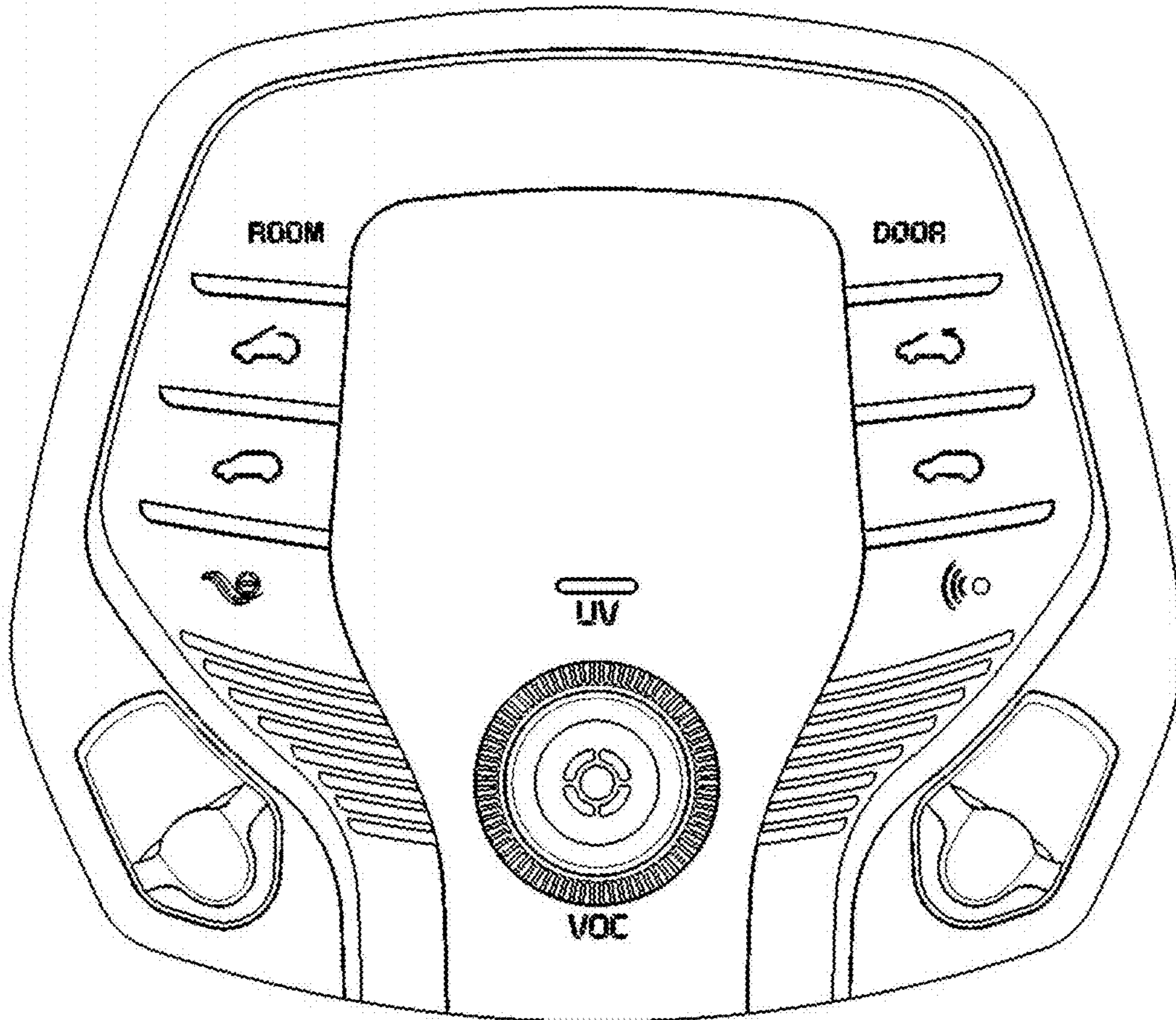


FIG. 7