



US00D845210S

(12) **United States Design Patent** (10) **Patent No.:** **US D845,210 S**  
**Wilkes** (45) **Date of Patent:** **\*\* Apr. 9, 2019**

(54) **SECURITY BULWARK FOR MOUNTING ALONG THE PERIMETER OF A VESSEL OR MARINE INSTALLATION**

(71) Applicant: **GRAY PAGE MARINE SYSTEMS LIMITED**, Oxford (GB)

(72) Inventor: **James Edward Wilkes**, Oxford (GB)

(73) Assignee: **Gray Page Marine Systems Limited**, Oxford (GB)

(\*\*) Term: **15 Years**

(21) Appl. No.: **35/503,675**

(22) Filed: **Mar. 13, 2017**

(80) **Hague Agreement Data**

Int. Filing Date: **Mar. 13, 2017**

Int. Reg. No.: **DM/095951**

Int. Reg. Date: **Mar. 13, 2017**

Int. Reg. Pub. Date: **Sep. 15, 2017**

(30) **Foreign Application Priority Data**

Nov. 22, 2016 (EM) ..... 003476704-0001

(51) **LOC (11) Cl.** ..... **12-16**

(52) **U.S. Cl.**  
USPC ..... **D12/317**

(58) **Field of Classification Search**  
USPC ..... D12/300, 316, 317, 318  
CPC ..... B63B 17/04; B63B 2017/045  
See application file for complete search history.

(56) **References Cited**

**U.S. PATENT DOCUMENTS**

5,417,597 A \* 5/1995 Levedahl ..... B63B 3/08  
114/65 R  
D630,995 S \* 1/2011 Cote ..... D12/307

D691,939 S \* 10/2013 Cote ..... D12/307  
D698,305 S \* 1/2014 Borgwarth ..... D12/317  
D718,211 S \* 11/2014 Kristinsson ..... D12/317  
D718,698 S \* 12/2014 Cooney ..... D12/317  
D721,321 S \* 1/2015 Miedema, II ..... D12/317  
D764,380 S \* 8/2016 Conrad ..... D12/317  
D764,381 S \* 8/2016 Conrad ..... D12/317  
D764,382 S \* 8/2016 Conrad ..... D12/317  
D765,009 S \* 8/2016 Conrad ..... D12/317  
D766,807 S \* 9/2016 Conrad ..... D12/317  
D795,782 S \* 8/2017 Conrad ..... D12/317  
D802,517 S \* 11/2017 Shumway ..... D12/317  
D820,190 S \* 6/2018 Wilkes ..... D12/317

\* cited by examiner

*Primary Examiner* — Darlington Ly

(74) *Attorney, Agent, or Firm* — Banner & Witcoff, Ltd.

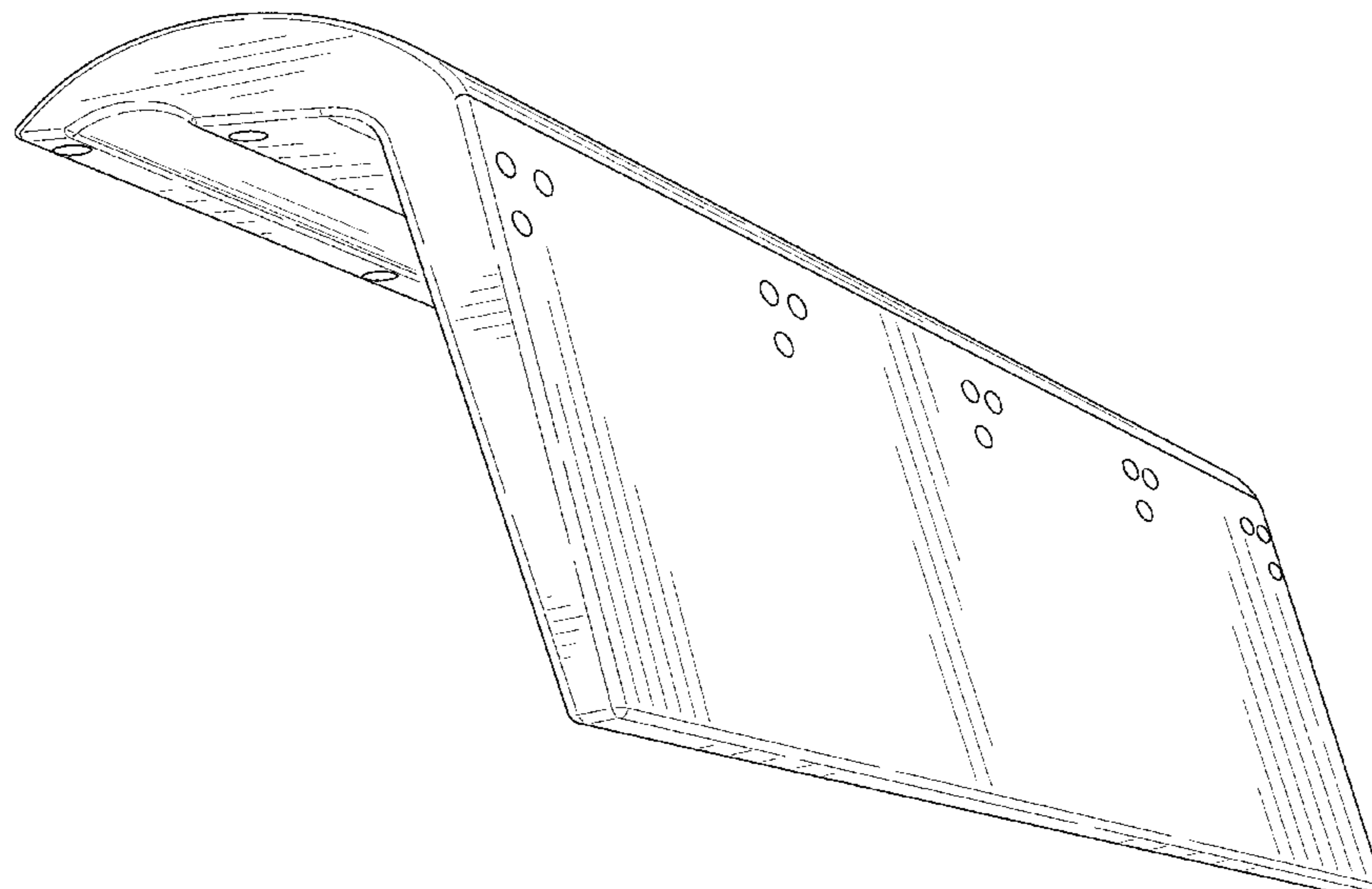
(57) **CLAIM**

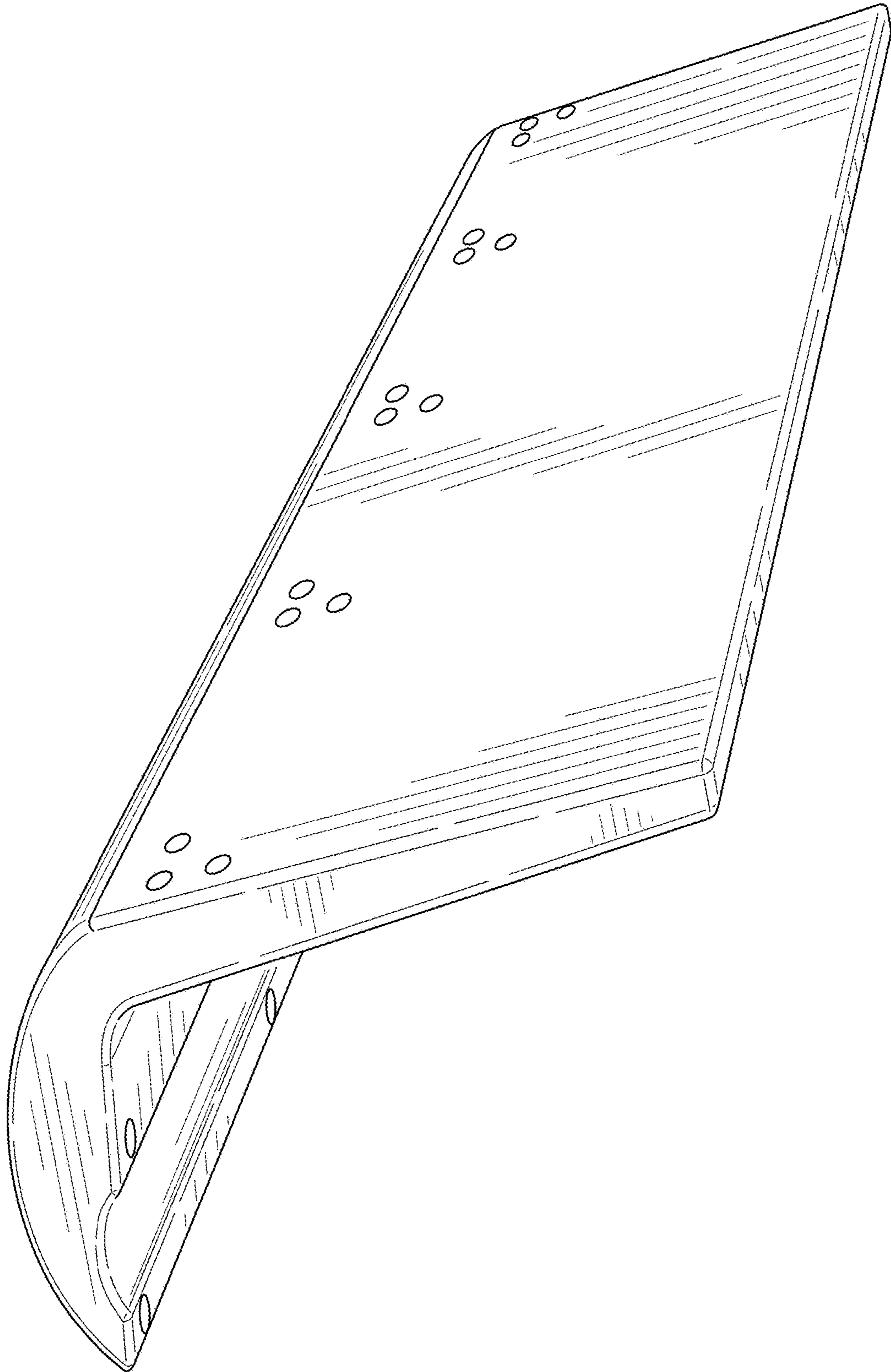
The ornamental design for a security bulwark for mounting along the perimeter of a vessel or marine installation, as shown and described.

**DESCRIPTION**

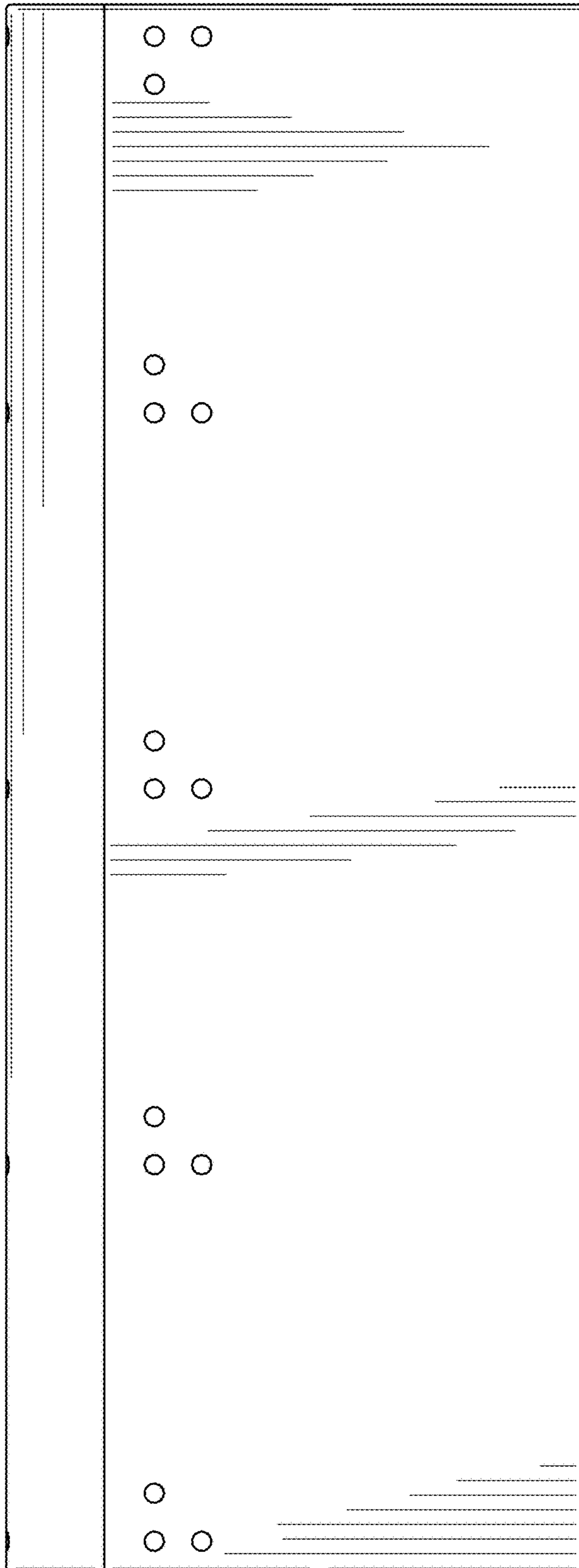
1. Security bulwark for mounting along the perimeter of a vessel or marine installation  
**1.1** is a perspective view of a security bulwark for mounting along the perimeter of a vessel or marine installation showing my new design;  
**1.2** is a front elevation view thereof;  
**1.3** is a left side elevation view thereof;  
**1.4** is a right side elevation view thereof;  
**1.5** is a rear elevation view thereof;  
**1.6** is a top plan view thereof; and,  
**1.7** is a bottom plan view thereof.

**1 Claim, 7 Drawing Sheets**

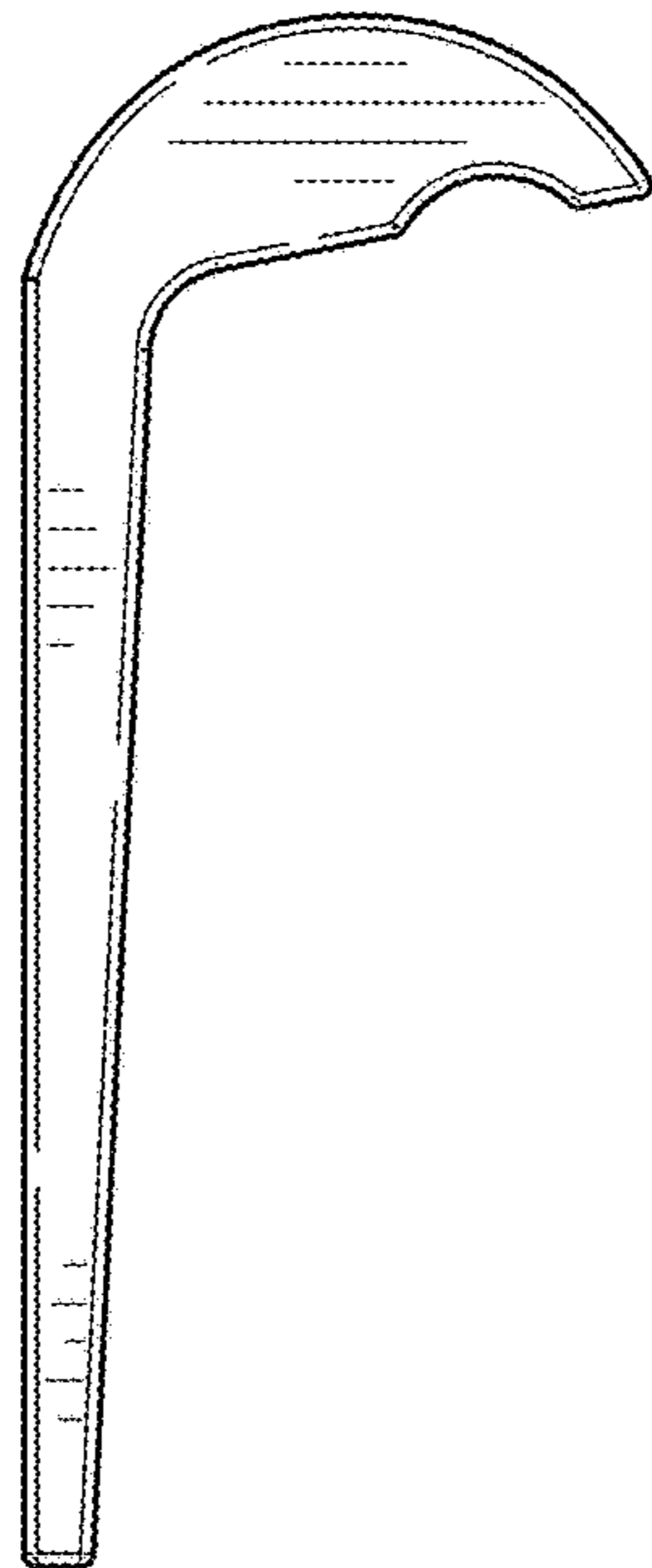




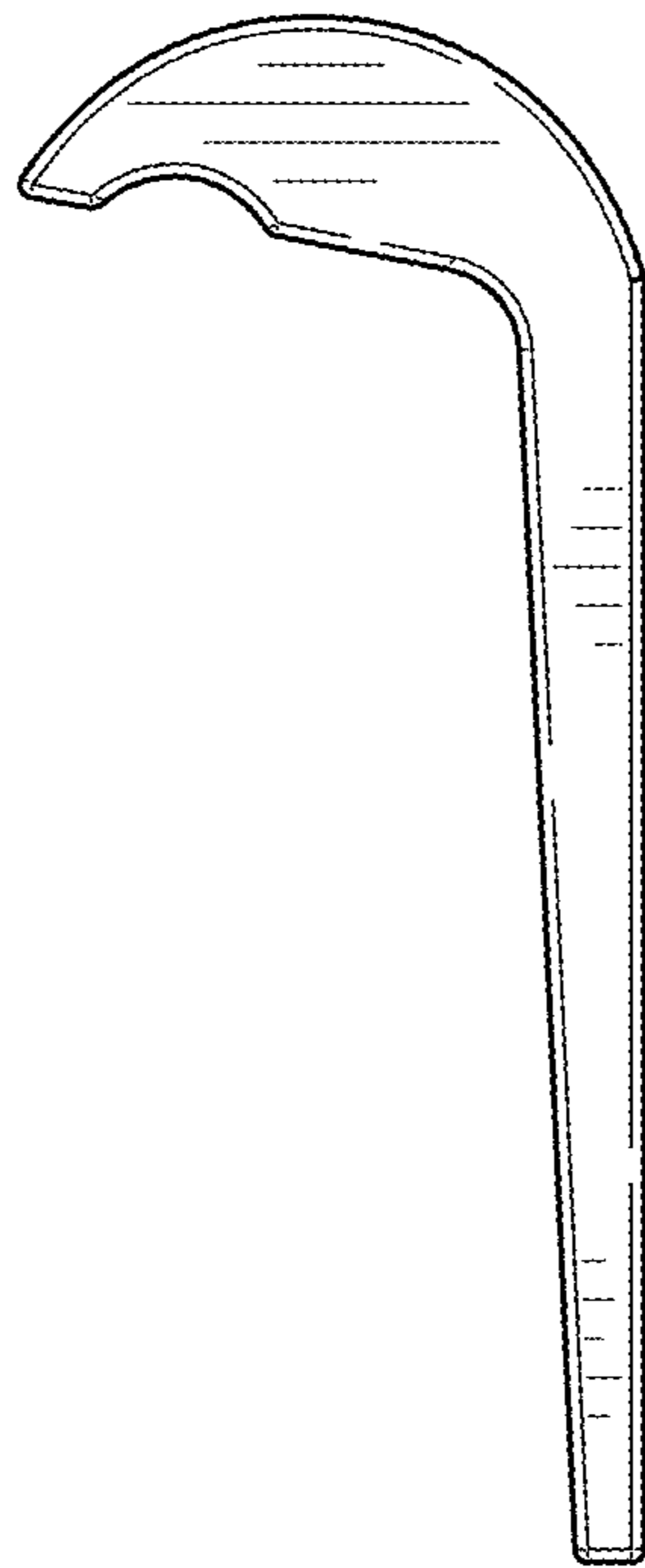
1.1



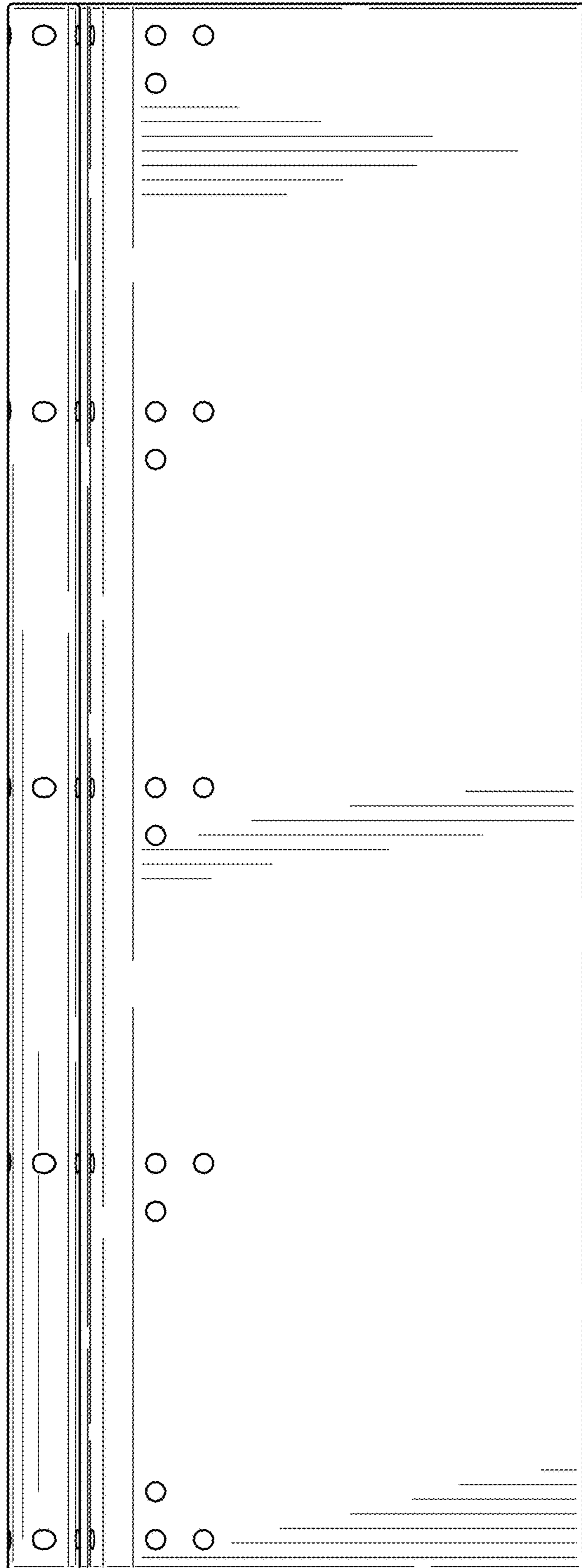
1.2



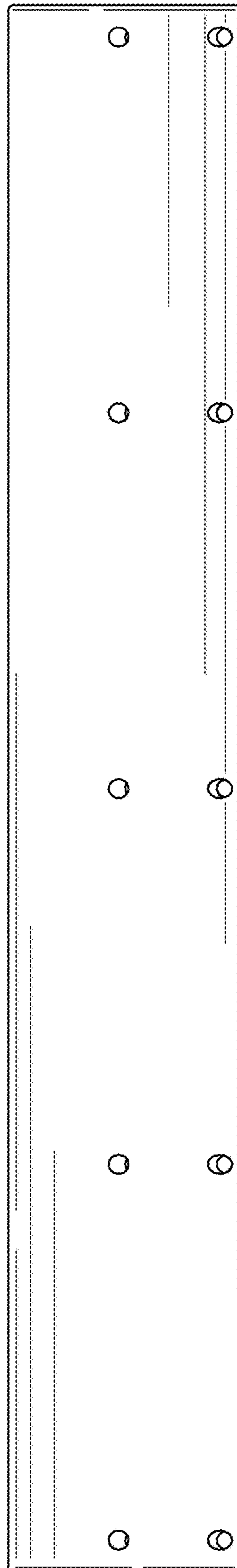
1.3



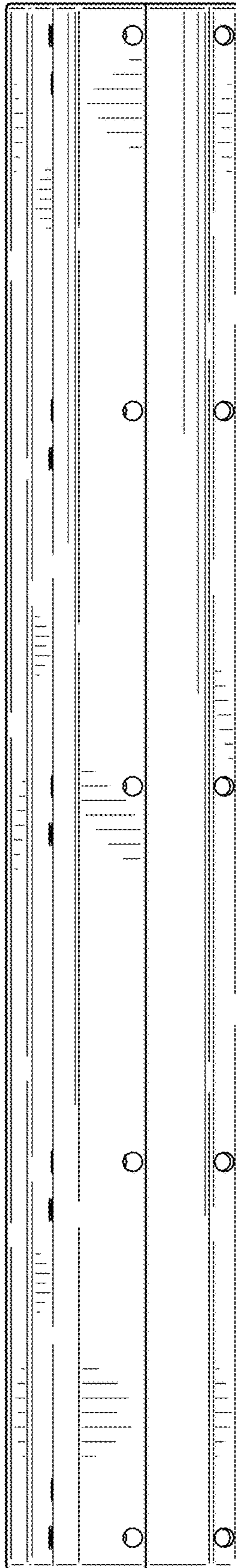
1.4



1.5



1.6



1.7