



US00D845209S

(12) **United States Design Patent**
Ratigan

(10) **Patent No.:** **US D845,209 S**

(45) **Date of Patent:** **** Apr. 9, 2019**

(54) **FENDER HOOK**

(71) Applicant: **Michael Ratigan**, Elon, NC (US)

(72) Inventor: **Michael Ratigan**, Elon, NC (US)

(**) Term: **15 Years**

(21) Appl. No.: **29/630,053**

(22) Filed: **Dec. 19, 2017**

(51) **LOC (11) Cl.** **12-06**

(52) **U.S. Cl.**
USPC **D12/317; D12/168**

(58) **Field of Classification Search**
USPC D12/168-172, 317, 318; D8/349, 354,
D8/356
CPC B63B 59/00; B63B 59/02; B63B 21/00;
B63B 21/04; B63B 21/08

See application file for complete search history.

(56) **References Cited**

U.S. PATENT DOCUMENTS

1,072,556 A	9/1913	Wood	
3,575,371 A	4/1971	Carlstedt	
4,280,435 A	7/1981	Loomis	
4,895,094 A	1/1990	Carlstedt	
4,998,495 A	3/1991	Bos et al.	
5,048,446 A	9/1991	Powell	
5,299,521 A *	4/1994	Loucks	B63B 59/02 114/219
5,355,822 A *	10/1994	Lemke	B63B 59/02 114/219
5,493,983 A	2/1996	Hurt	
5,518,342 A	5/1996	Wright et al.	
5,697,316 A *	12/1997	Kinkead	B63B 59/02 114/219
5,701,837 A	12/1997	Harvey	
5,709,424 A	1/1998	Schuler	
5,732,645 A *	3/1998	Lemke	B63B 59/02 114/219

RE35,965 E	11/1998	Cook	
5,832,857 A	11/1998	McPherson	
5,849,390 A	12/1998	Dillon	
5,987,711 A	11/1999	Parsons	
6,152,060 A	11/2000	Steiner	
6,840,186 B1	1/2005	Steele	
6,863,011 B2	3/2005	Kinkead	
7,025,012 B1	4/2006	Pecharich	
7,293,518 B1	11/2007	Gassew	
D557,651 S	12/2007	Gassew	
D557,652 S *	12/2007	Gassew	D12/317
D578,950 S	10/2008	Gassew	
D585,357 S *	1/2009	Volkwein	D12/317
D601,480 S	10/2009	Beddow et al.	
8,534,212 B1 *	9/2013	Worsley	B63B 59/02 114/219
9,027,495 B2 *	5/2015	Marshall	B63B 59/02 114/219
9,365,268 B1	6/2016	Paccoud et al.	
9,789,937 B1	10/2017	Ratigan	

(Continued)

Primary Examiner — Cynthia M. Chin

(74) *Attorney, Agent, or Firm* — Tuggle Duggins P.A.;
Blake Hurt

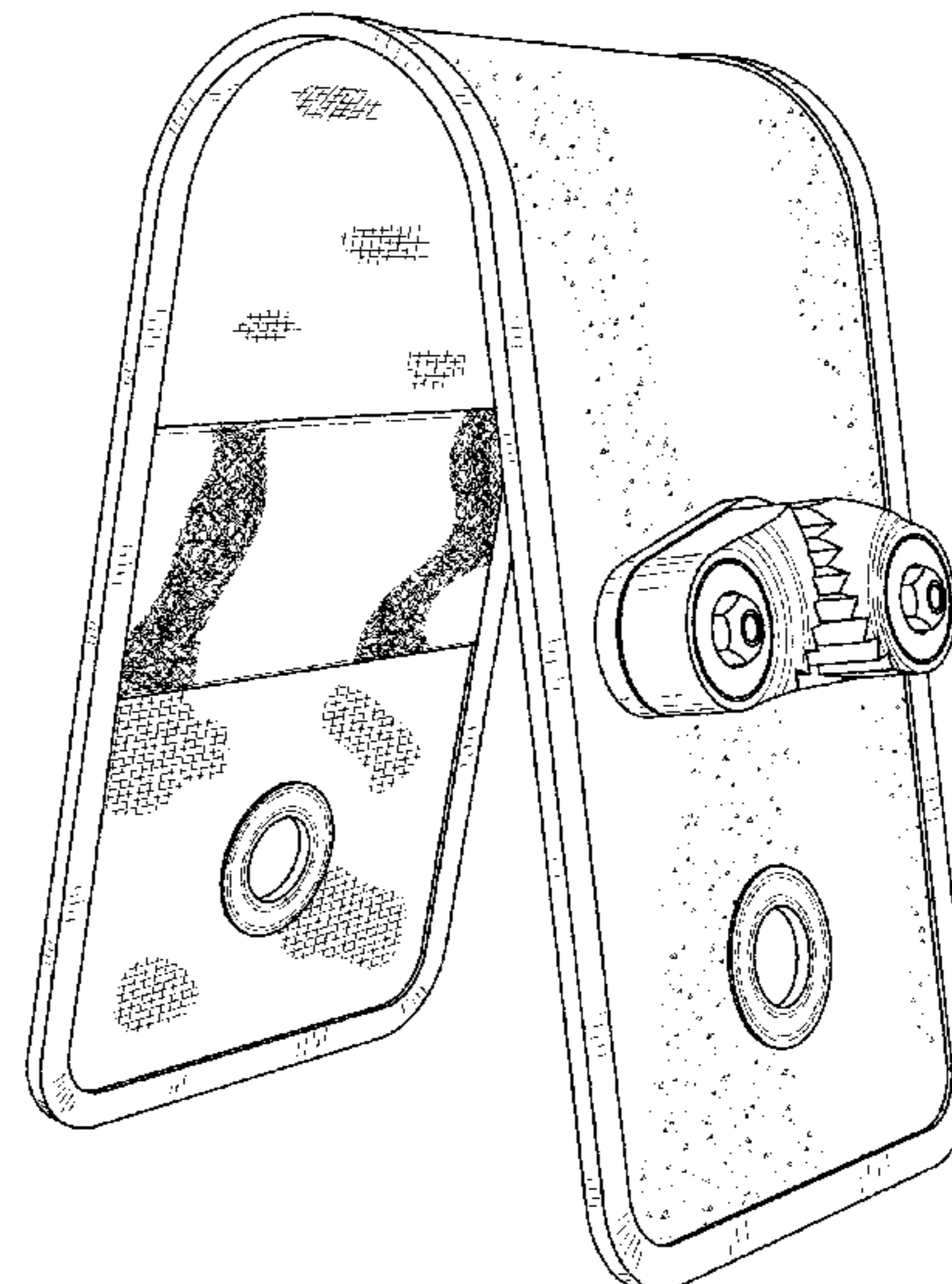
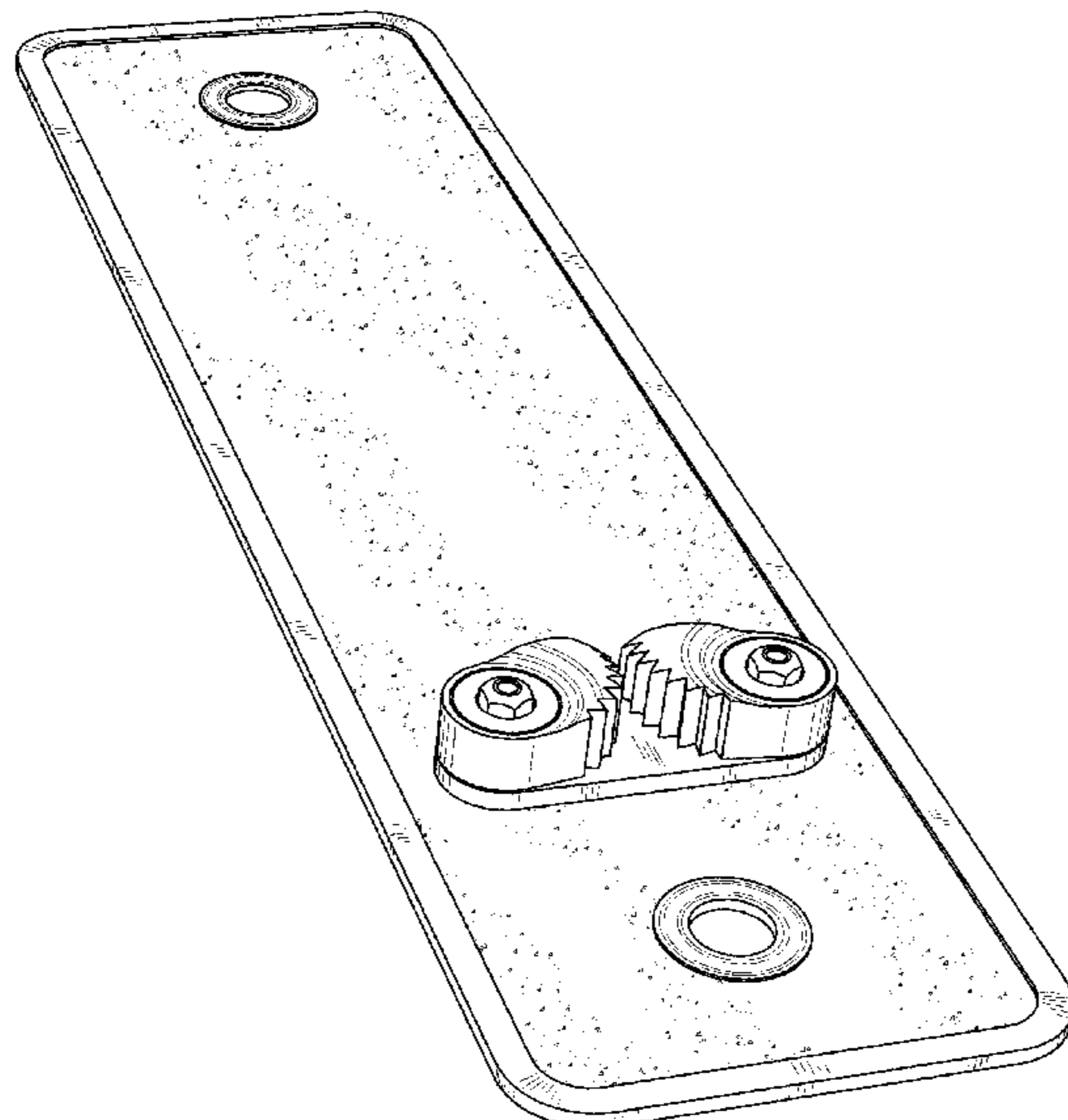
(57) **CLAIM**

The ornamental design for a fender hook, as shown and described.

DESCRIPTION

FIG. 1 is a front, side perspective view of a fender hook showing my new design;
FIG. 2 is a right side elevational view thereof;
FIG. 3 is a rear elevational view thereof;
FIG. 4 is a left side elevational view thereof;
FIG. 5 is a front elevational view thereof;
FIG. 6 is a top plan view thereof;
FIG. 7 is a bottom plan view thereof; and,
FIG. 8 is a front, side perspective view of the fender hook of FIG. 1 in a folded configuration.

1 Claim, 7 Drawing Sheets



(56)

References Cited

U.S. PATENT DOCUMENTS

2002/0162494 A1 11/2002 Skulnick
2011/0132249 A1 6/2011 Loisel, Jr.
2015/0040814 A1 2/2015 Volkwein

* cited by examiner

FIG. 1

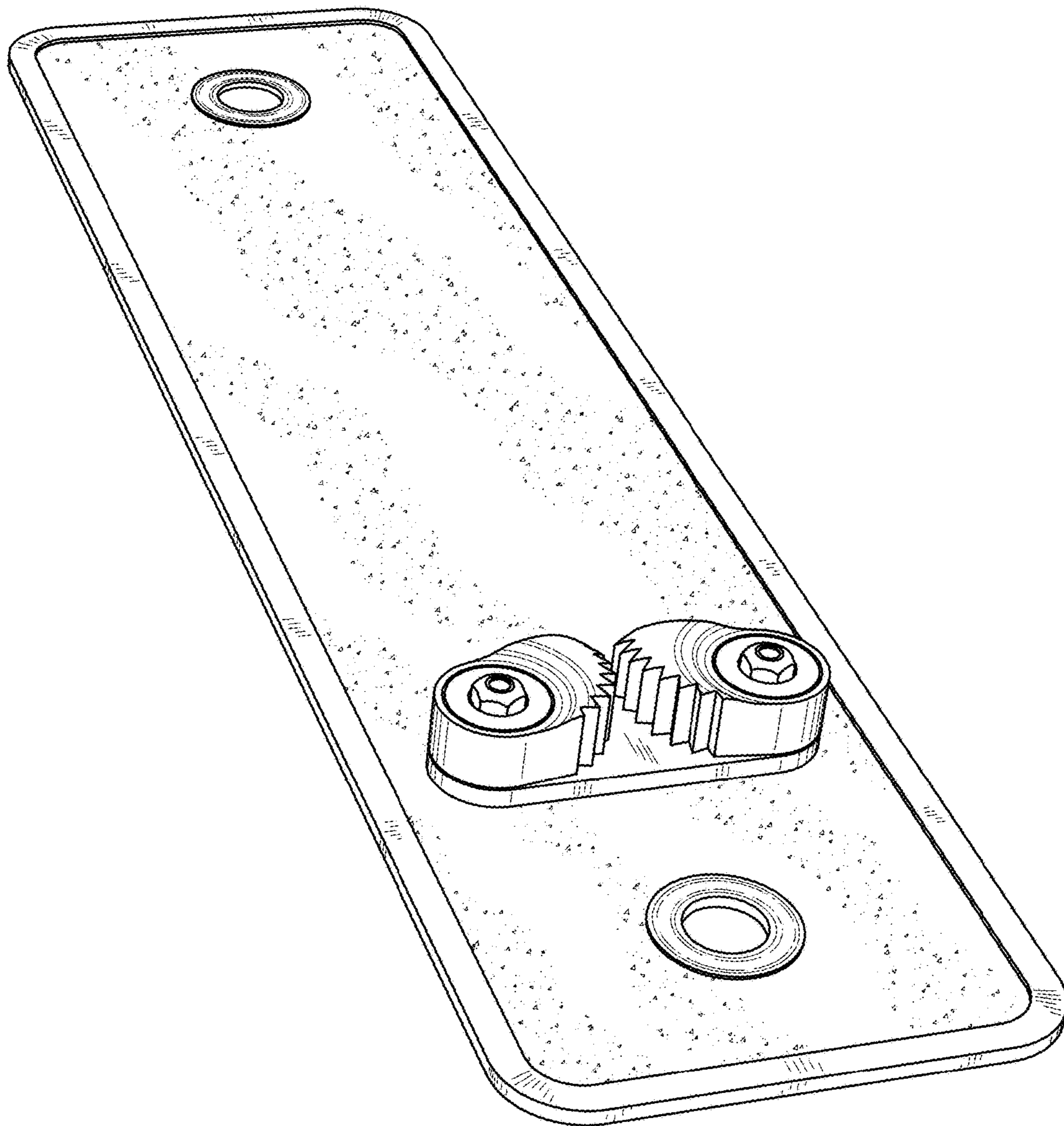


FIG. 2

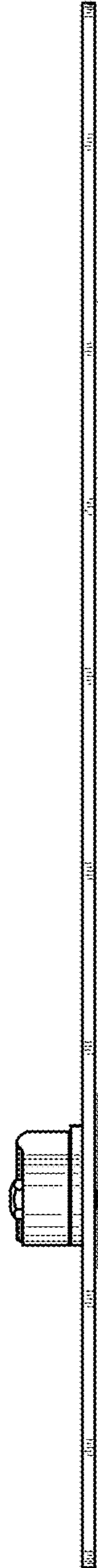


FIG. 3

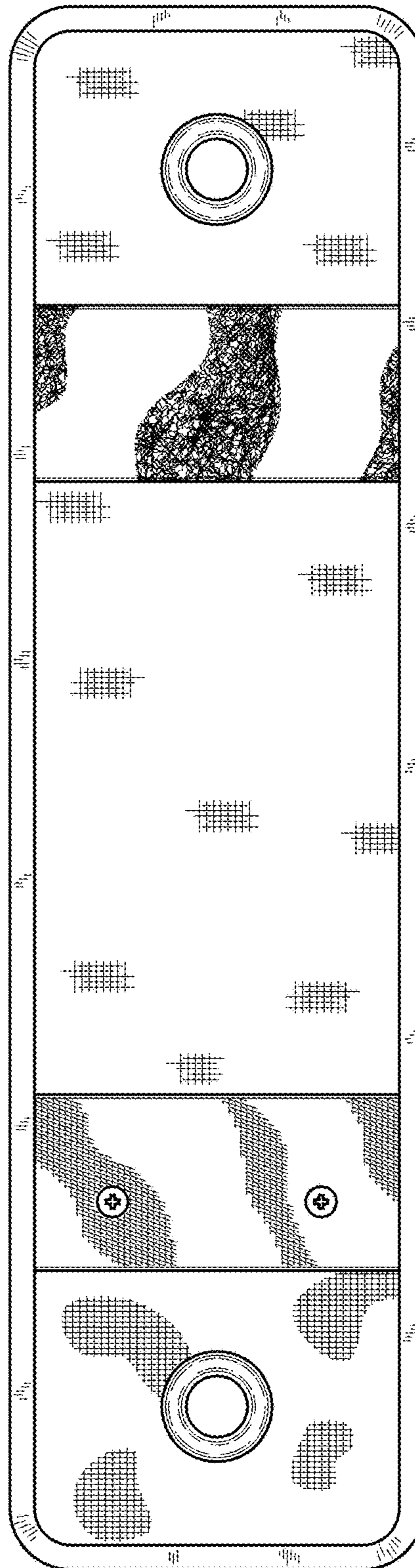


FIG. 4

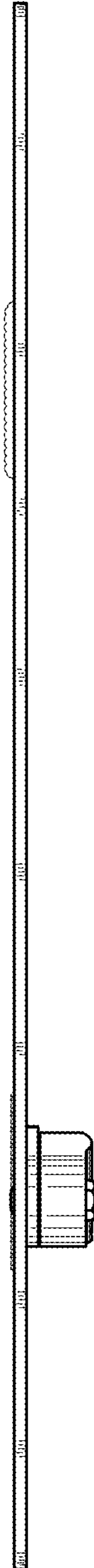
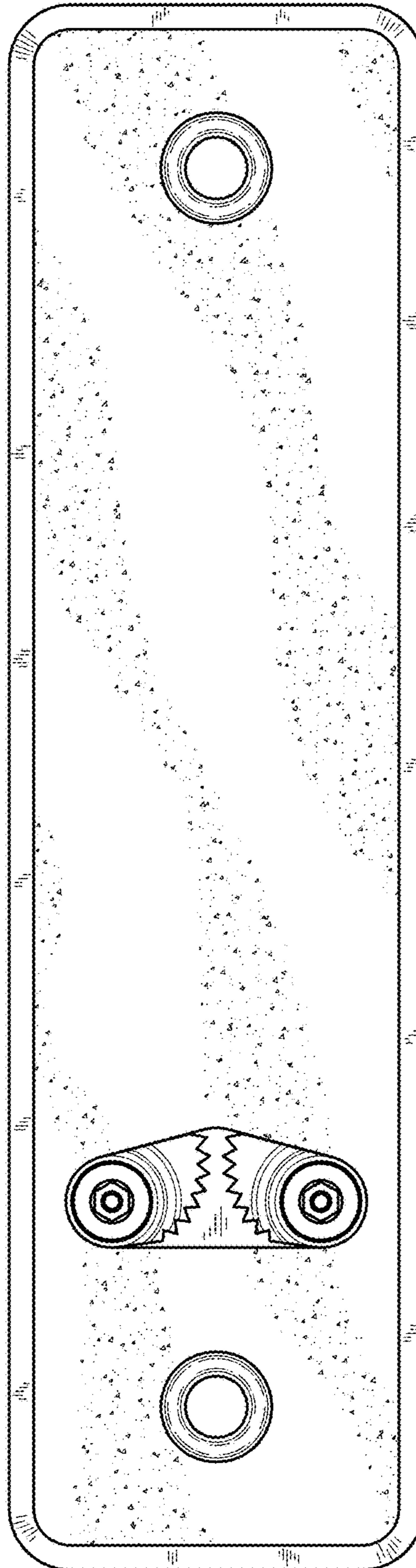


FIG. 5



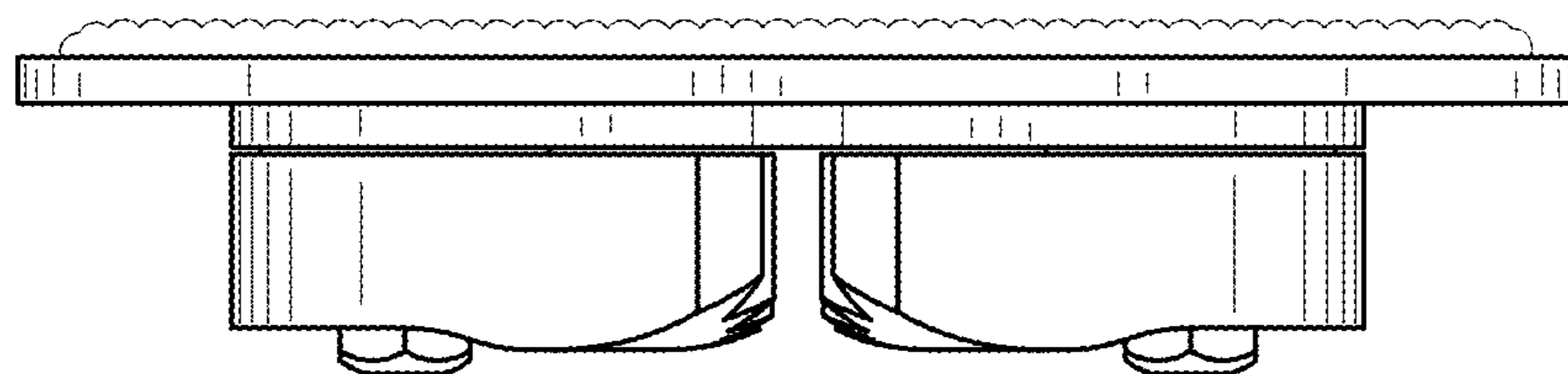


FIG. 6

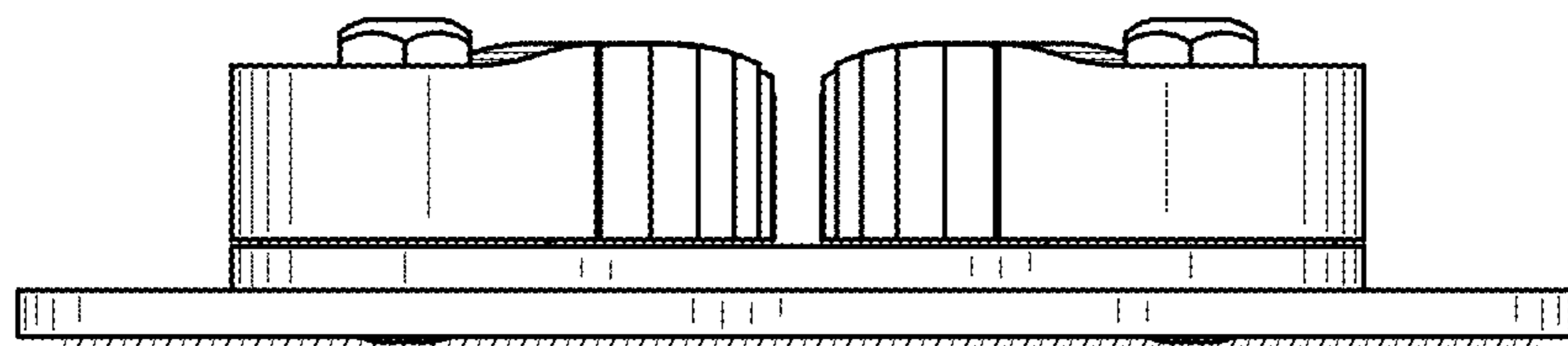


FIG. 7

FIG. 8

