



US00D845207S

(12) **United States Design Patent** (10) **Patent No.:** **US D845,207 S**
Soeno et al. (45) **Date of Patent:** **** Apr. 9, 2019**

(54) **FUEL TANK FOR A MOTORCYCLE**
(71) Applicant: **HONDA MOTOR CO., LTD.**, Tokyo (JP)
(72) Inventors: **Daisuke Soeno**, Tokyo (JP); **Maurizio Carbonara**, Rome (IT); **Andrea Vitaloni**, Rome (IT)
(73) Assignee: **HONDA MOTOR CO., LTD.**, Tokyo (JP)
(**) Term: **15 Years**
(21) Appl. No.: **29/618,517**
(22) Filed: **Sep. 21, 2017**
(51) **LOC (11) Cl.** **12-06**
(52) **U.S. Cl.**
USPC **D12/218**
(58) **Field of Classification Search**
USPC D12/110, 197, 218, 223; D9/435-454
CPC B62J 35/00; B62K 11/00; B62K 11/04;
B60K 15/03; B60K 15/07
See application file for complete search history.

D482,998 S * 12/2003 Krejci D12/218
6,725,519 B2 * 4/2004 Krejci B23K 11/105
29/421.1
D493,409 S * 7/2004 Krejci D12/218
D493,410 S * 7/2004 Krejci D12/218
D498,199 S * 11/2004 Sugimoto D12/218
D508,887 S * 8/2005 Toy D12/218
D509,638 S * 9/2005 Moritz D99/5
D511,604 S * 11/2005 Moritz D99/5
D512,951 S * 12/2005 Alsop D12/218
D514,498 S * 2/2006 Alsop D12/218
D587,184 S * 2/2009 Kinsey D12/218
D590,323 S * 4/2009 Kishi D12/218
D599,271 S * 9/2009 Nagata D12/218
D636,717 S * 4/2011 Nishimoto D12/218
D724,810 S * 3/2015 Eby D99/3

(Continued)

Primary Examiner — Darlington Ly
(74) *Attorney, Agent, or Firm* — Birch, Stewart, Kolasch & Birch, LLP

(57) **CLAIM**

The ornamental design for a fuel tank for a motorcycle, as shown and described.

DESCRIPTION

FIG. 1 is a left side elevation view of a fuel tank for a motorcycle showing our new design;
FIG. 2 is a right side elevation view thereof;
FIG. 3 is a rear elevation view thereof;
FIG. 4 is a front elevation view thereof;
FIG. 5 is a top plan view thereof;
FIG. 6 is a top, rear, and left side perspective view thereof, to which the top, rear, and right side perspective view is mirror image; and,
FIG. 7 is a top, front, and right side perspective view thereof, to which the top, front, and left side perspective view is mirror image.

1 Claim, 7 Drawing Sheets

(56) **References Cited**

U.S. PATENT DOCUMENTS

4,401,309 A * 8/1983 Matsuzaki B62J 35/00
220/4.14
5,542,706 A * 8/1996 Kubly B60K 15/03
137/589
D404,002 S * 1/1999 Puchkoff D12/218
5,944,216 A * 8/1999 Inaoka B60K 15/03
220/4.14
D432,486 S * 10/2000 Krejci D12/218
D456,758 S * 5/2002 Krejci D12/218
6,381,823 B1 * 5/2002 Krejci B23K 11/105
29/416
6,478,335 B2 * 11/2002 Reed B62J 35/00
280/835
D482,311 S * 11/2003 Song D12/218



(56)

References Cited

U.S. PATENT DOCUMENTS

D737,192 S * 8/2015 Yaffe D12/218
D755,086 S * 5/2016 Christoph D12/114

* cited by examiner

FIG. 1

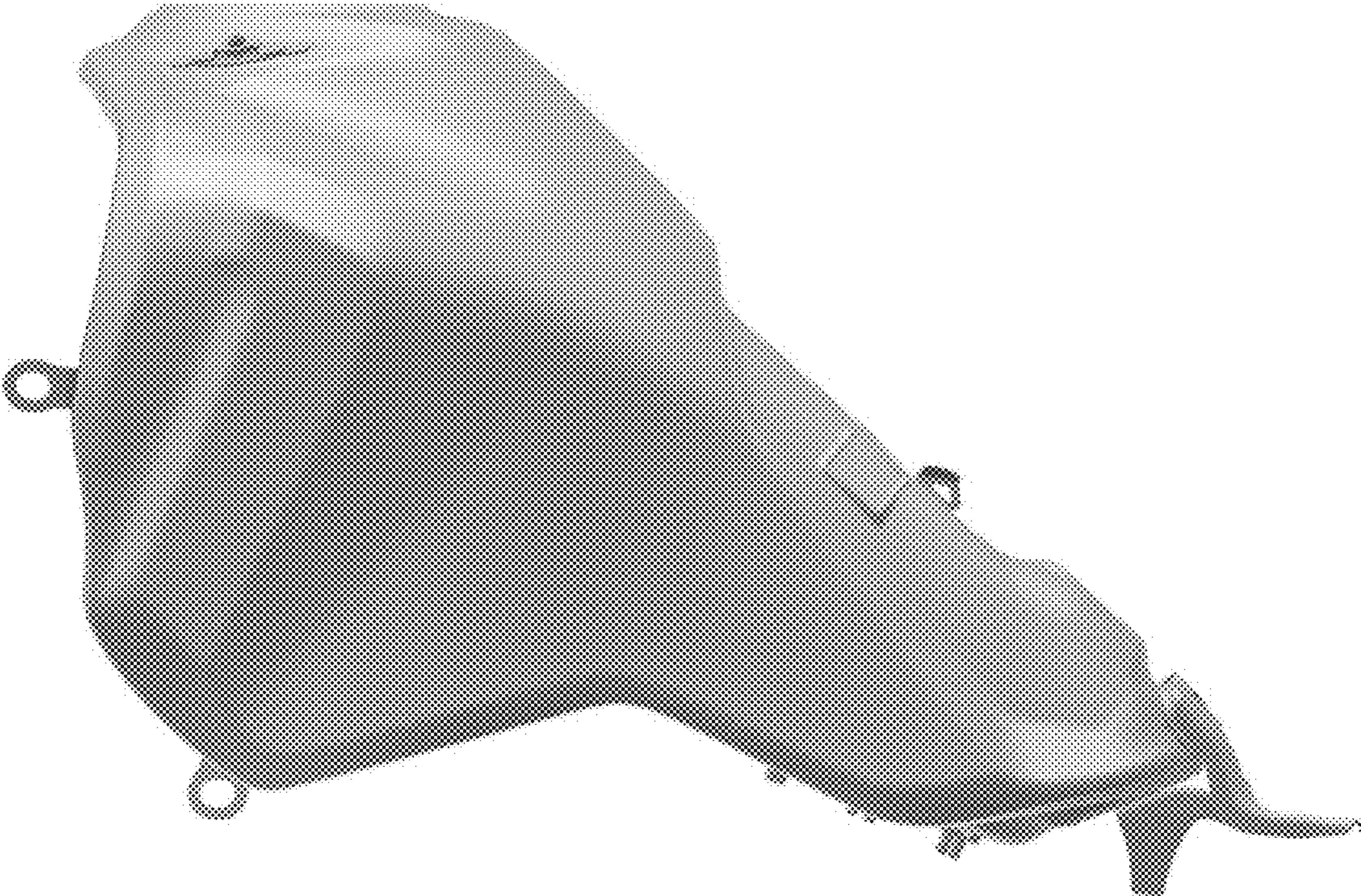


FIG. 2



FIG. 3

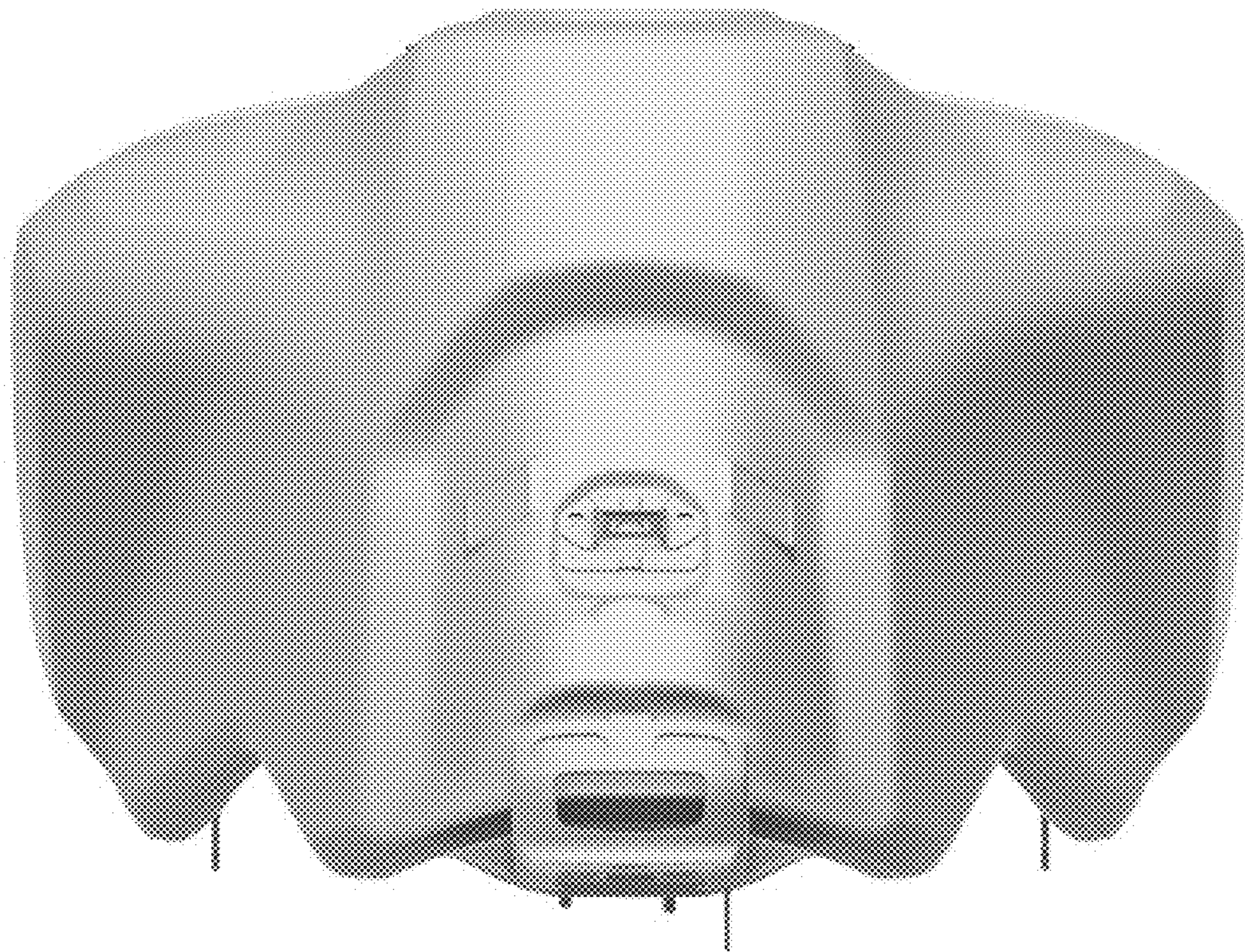


FIG. 4

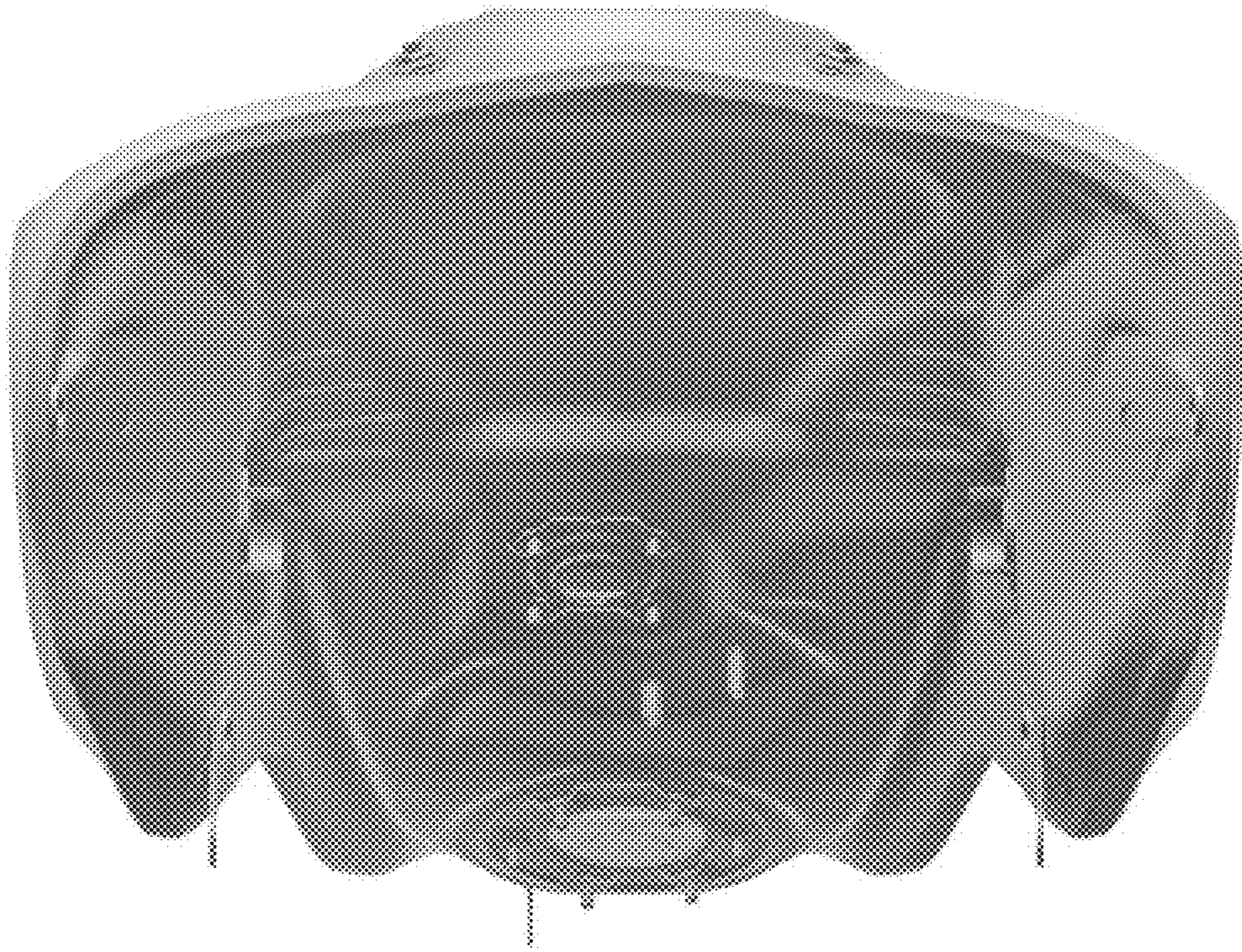


FIG. 5

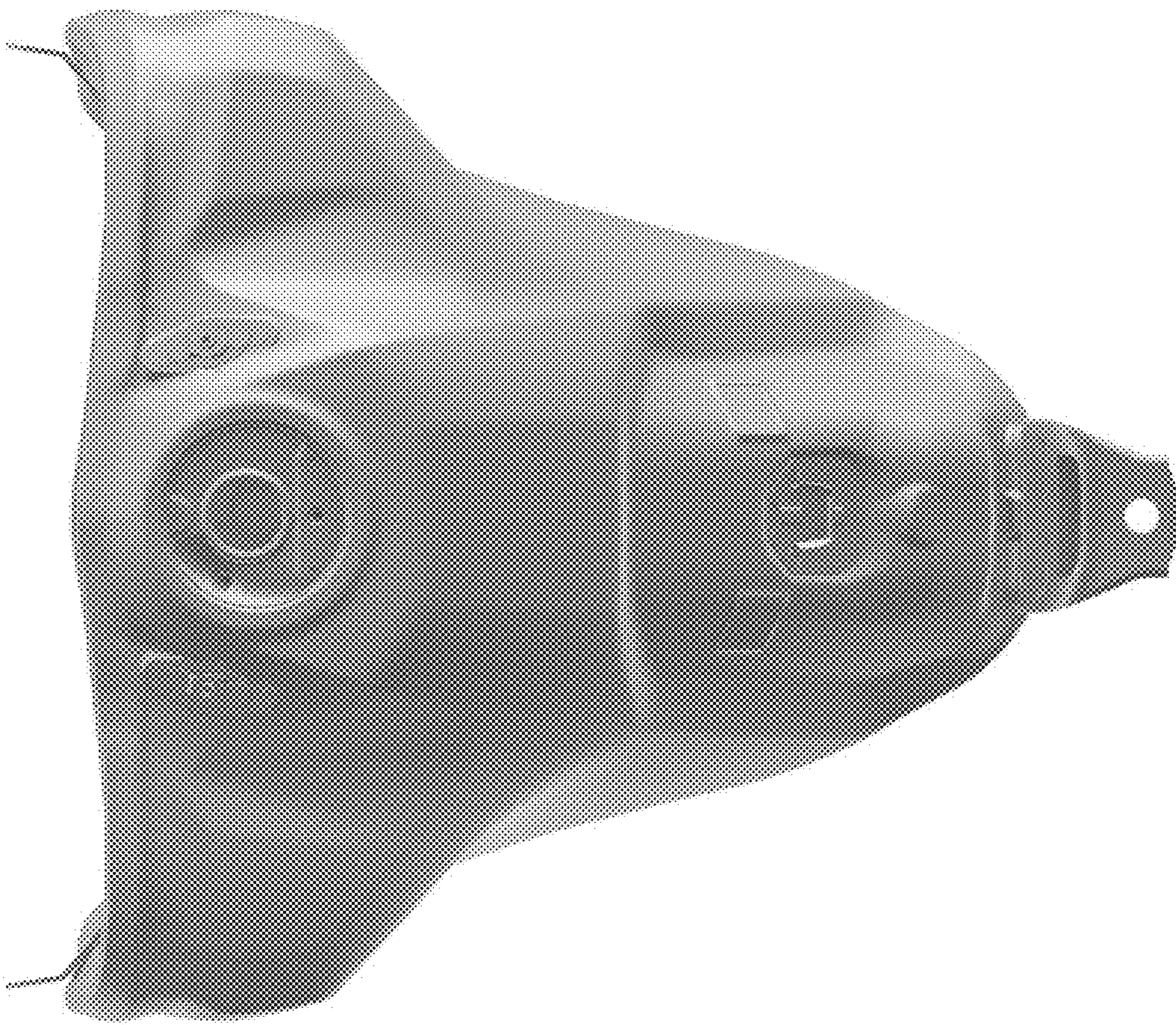


FIG. 6



FIG. 7

