



US00D845206S

(12) **United States Design Patent** (10) **Patent No.:** **US D845,206 S**
Lavoie et al. (45) **Date of Patent:** **** Apr. 9, 2019**

(54) **DOCKING ANCHOR** D352,656 S * 11/1994 Rodman D8/385
D398,363 S * 9/1998 Lobue D21/840
(71) Applicants: **Roland Lavoie**, Sudbury (CA); **Patrick Timony**, Sudbury (CA) D402,803 S * 12/1998 Goldberg D3/12
D415,955 S * 11/1999 Paulson D8/388
7,302,904 B2 * 12/2007 Burns E04H 15/62
114/294
(72) Inventors: **Roland Lavoie**, Sudbury (CA); **Patrick Timony**, Sudbury (CA) D575,719 S * 8/2008 Goodwin D12/215
D599,191 S * 9/2009 Alexander D8/354
D605,500 S * 12/2009 Lee D8/387
D658,975 S * 5/2012 Cordova D8/354
D733,545 S * 7/2015 Charette D8/387
D740,417 S * 10/2015 Chavan D24/145
D740,418 S * 10/2015 Chavan D24/145
D740,419 S * 10/2015 Chavan D24/145
D801,150 S * 10/2017 Welch D8/349
(**) Term: **15 Years**
(21) Appl. No.: **29/611,124**
(22) Filed: **Jul. 19, 2017**

(30) **Foreign Application Priority Data**
Feb. 15, 2017 (CA) 173113
(51) **LOC (11) Cl.** **12-06**
(52) **U.S. Cl.**
USPC **D12/215**
(58) **Field of Classification Search**
USPC D12/86, 91, 169, 214, 407, 604, 88, 92,
D12/215, 406, 412-414, 414.1, 16.1, 300,
D12/305, 317, 319, 328, 330, 344-345;
D8/1, 71, 349, 354, 370, 382, 385, 387,
D8/499
CPC . F16M 13/02; F16M 13/022; E04F 15/02044;
E04F 15/02133; E04F 15/02138; E05B
73/00; E02D 2200/1671; E02D 5/805;
E02D 5/80
See application file for complete search history.

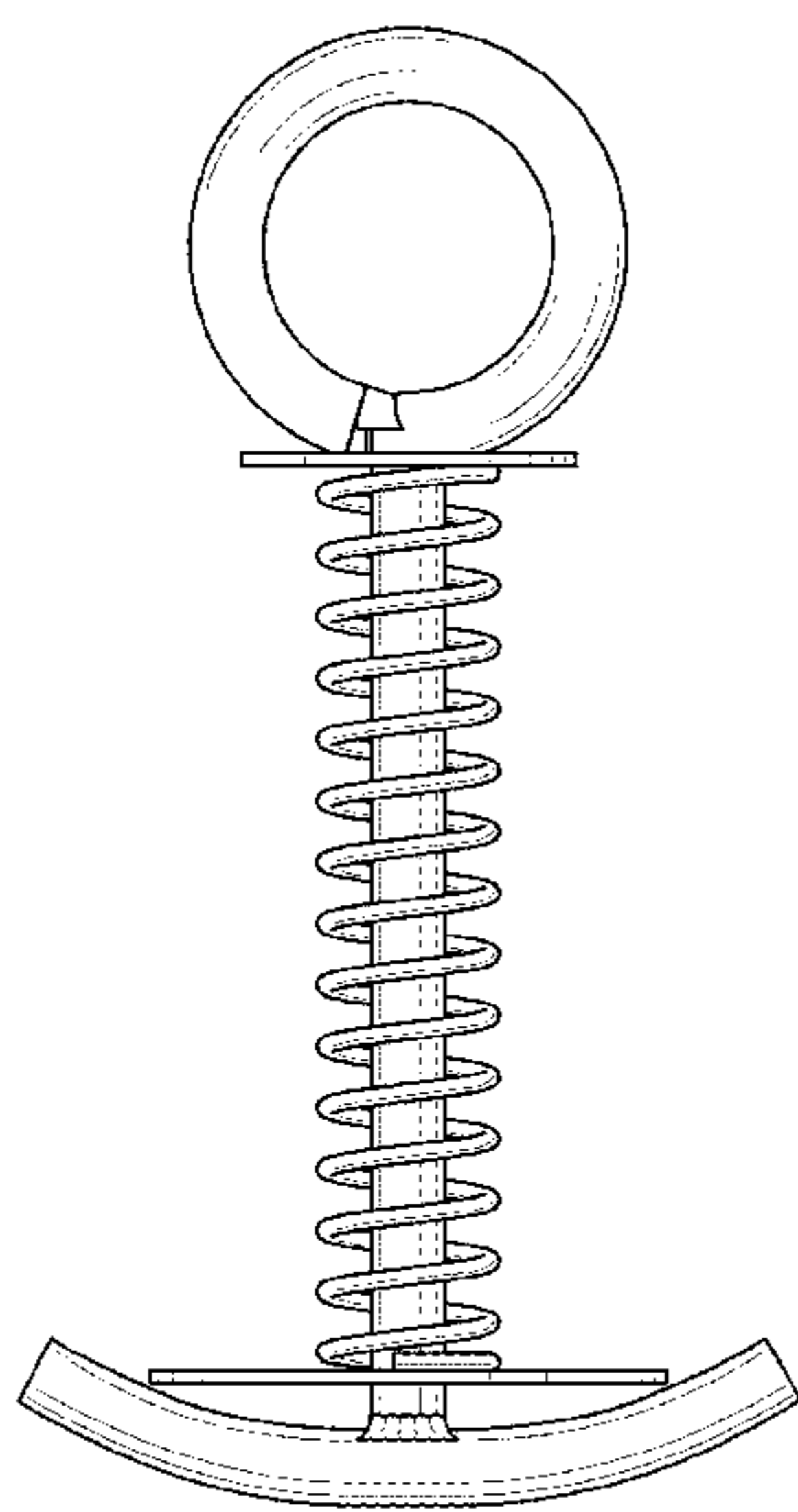
(56) **References Cited**
U.S. PATENT DOCUMENTS
3,993,013 A * 11/1976 Nunziato B63B 21/54
114/221 R
D280,193 S * 8/1985 Spanner D12/215
D297,321 S * 8/1988 Merrie D12/215
D304,995 S * 12/1989 Gardner D8/373
D309,251 S * 7/1990 Palmer D8/354
D342,477 S * 12/1993 Lovelady D12/215

FOREIGN PATENT DOCUMENTS
CA 2265172 9/2000
* cited by examiner
Primary Examiner — Robin V Webster
Assistant Examiner — Rachel A Voorhies

(57) **CLAIM**
The ornamental design for a docking anchor, as shown and described.

DESCRIPTION
FIG. 1 is an isometric view of an embodiment of the docking anchor of the invention in a disengaged condition;
FIG. 2 is a left side view thereof;
FIG. 3 is a front view thereof;
FIG. 4 is a right side view thereof;
FIG. 5 is a rear view thereof;
FIG. 6 is a top view thereof;
FIG. 7 is a bottom view thereof; and,
FIG. 8 is a side view of the docking anchor of FIGS. 1-7 in an engaged condition showing environment.
The broken lines in FIG. 8 illustrate environment, and form no part of the claimed design.

1 Claim, 5 Drawing Sheets



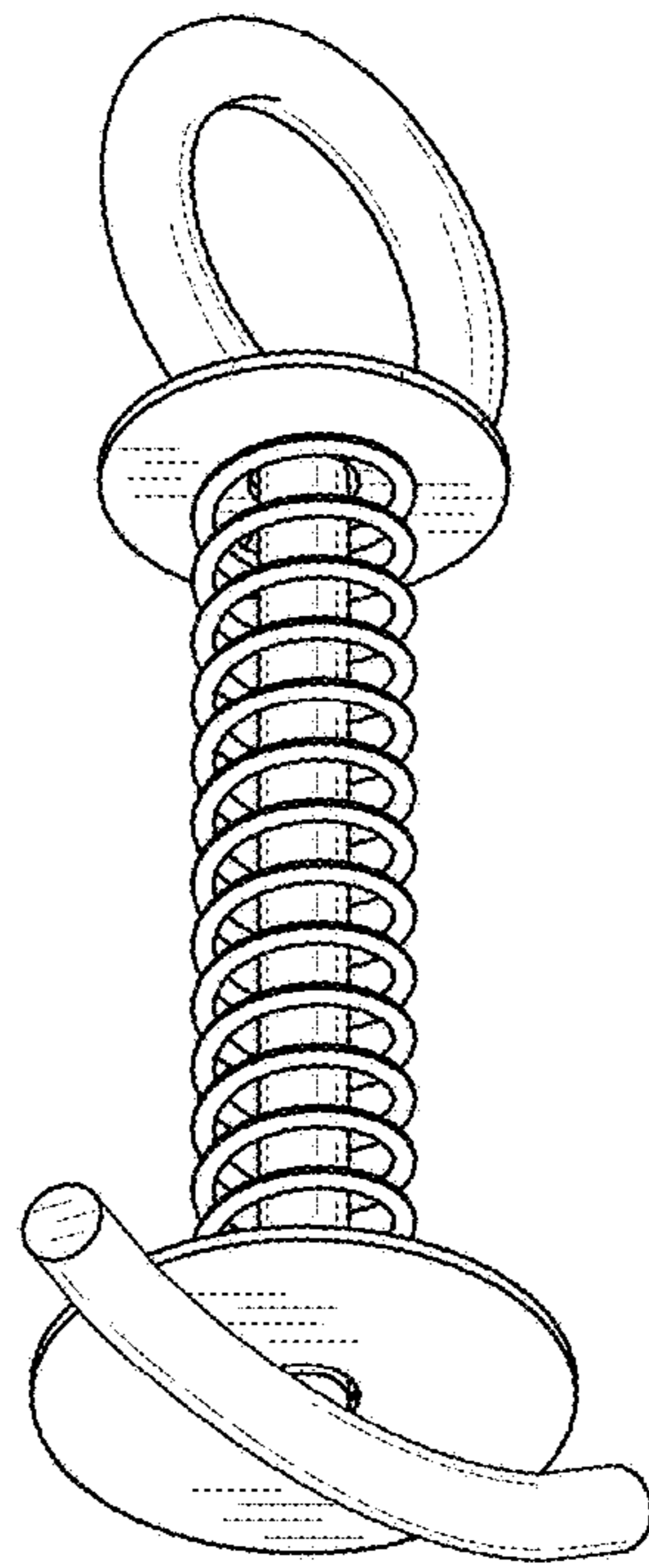


FIG. 1

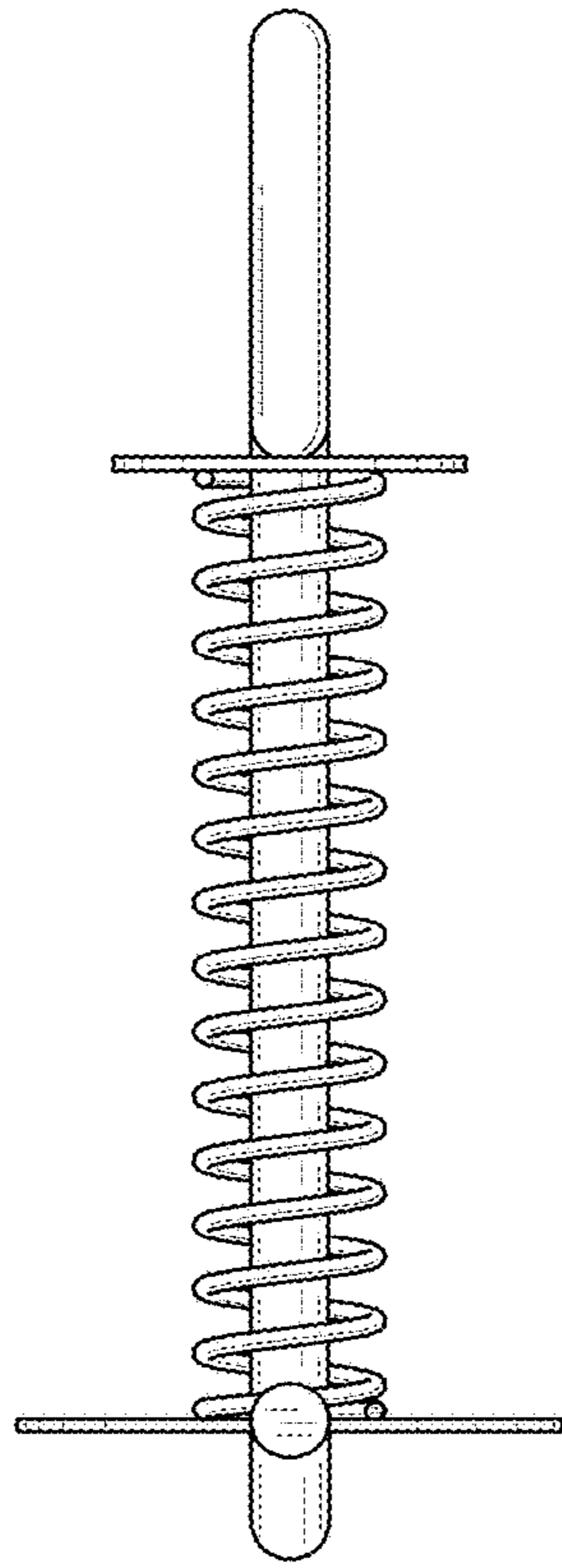


FIG. 2

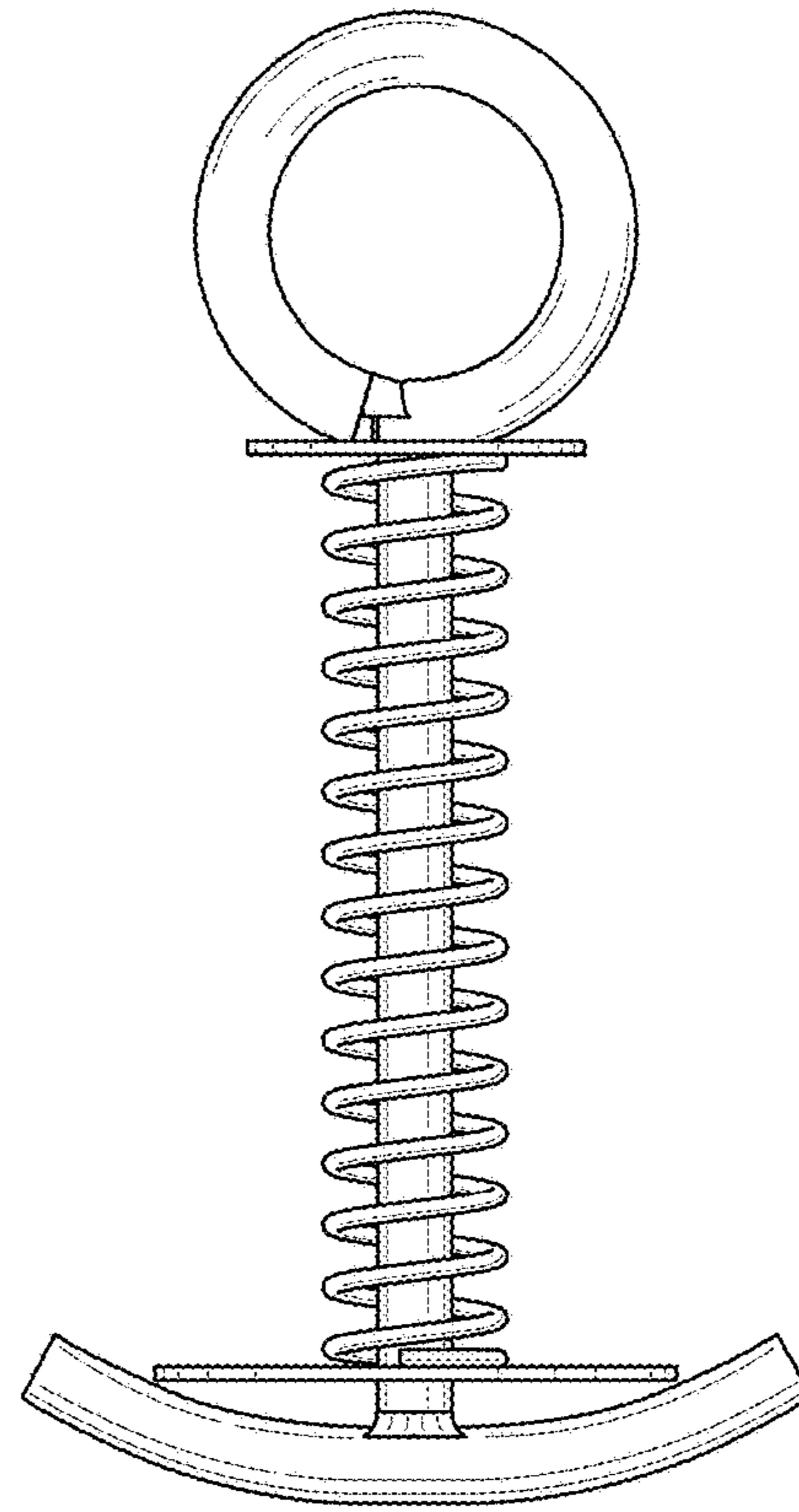


FIG. 3

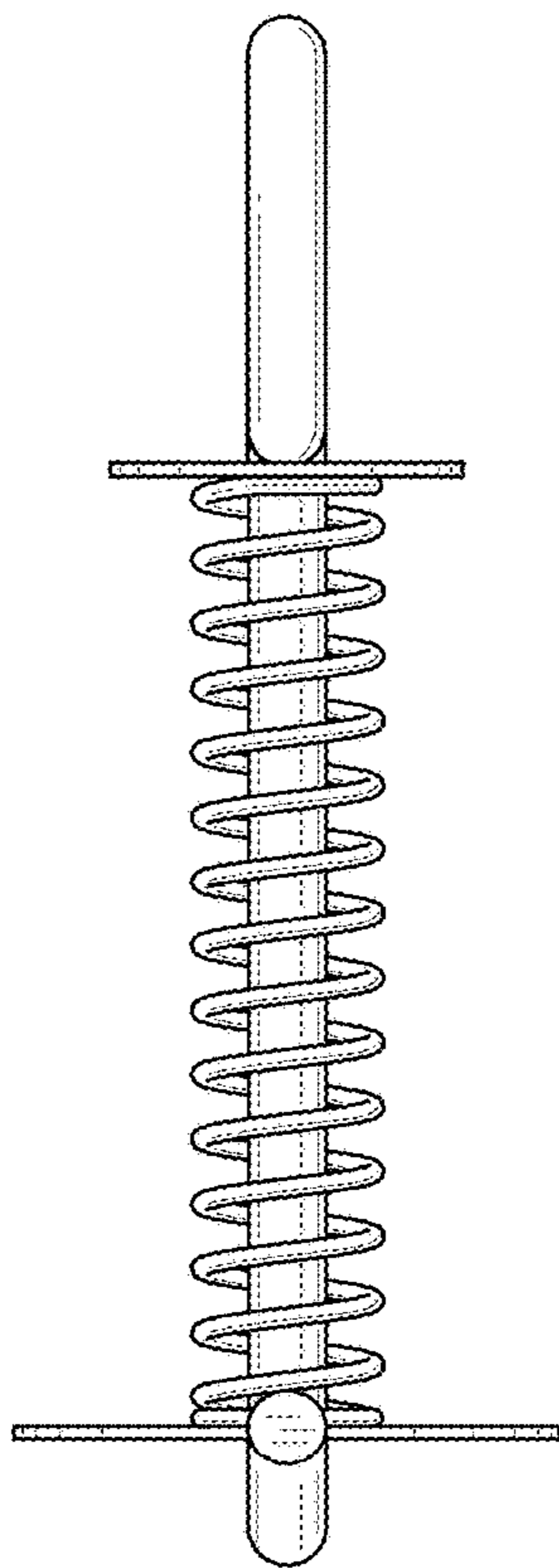


FIG. 4

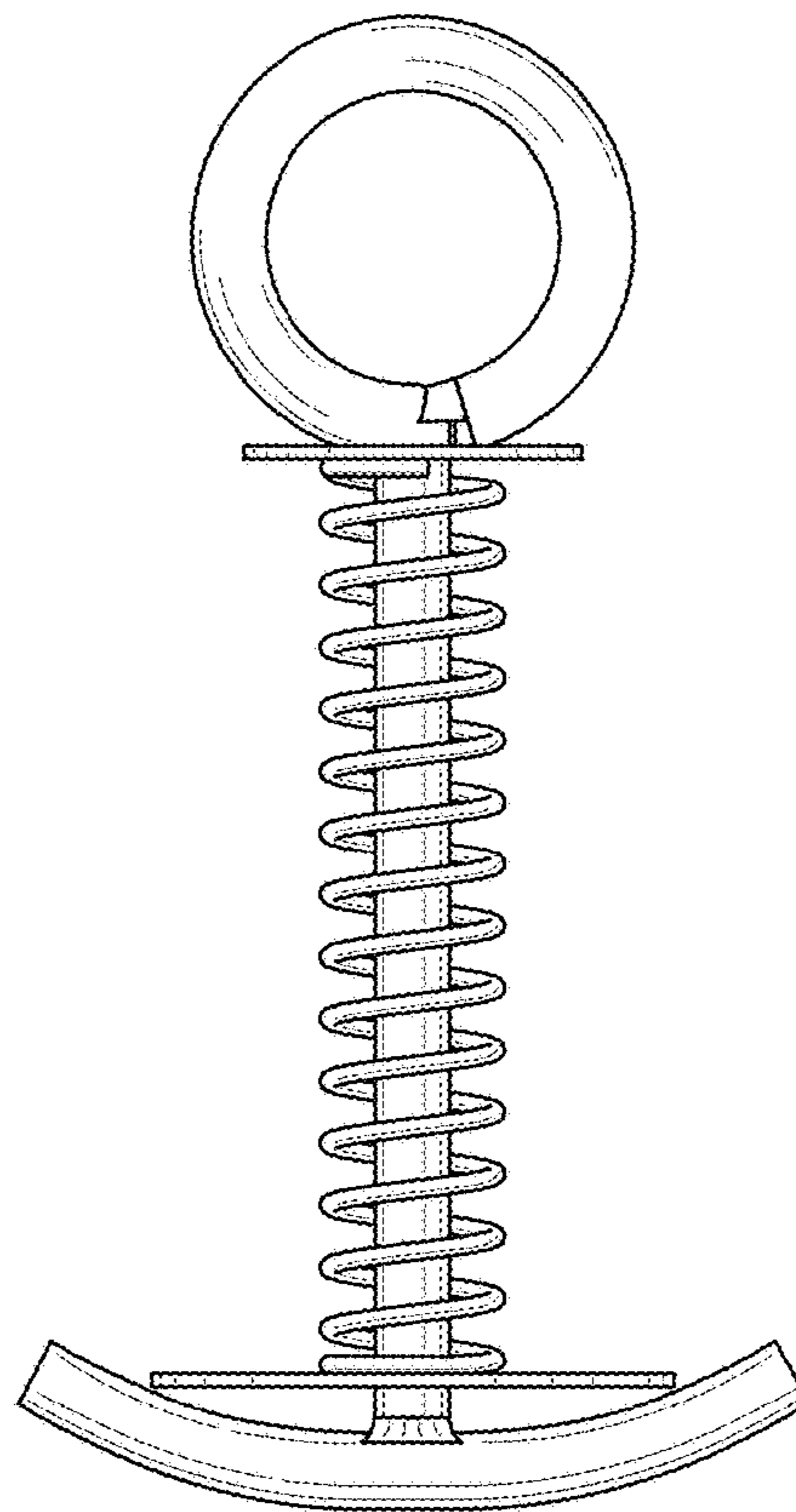


FIG. 5

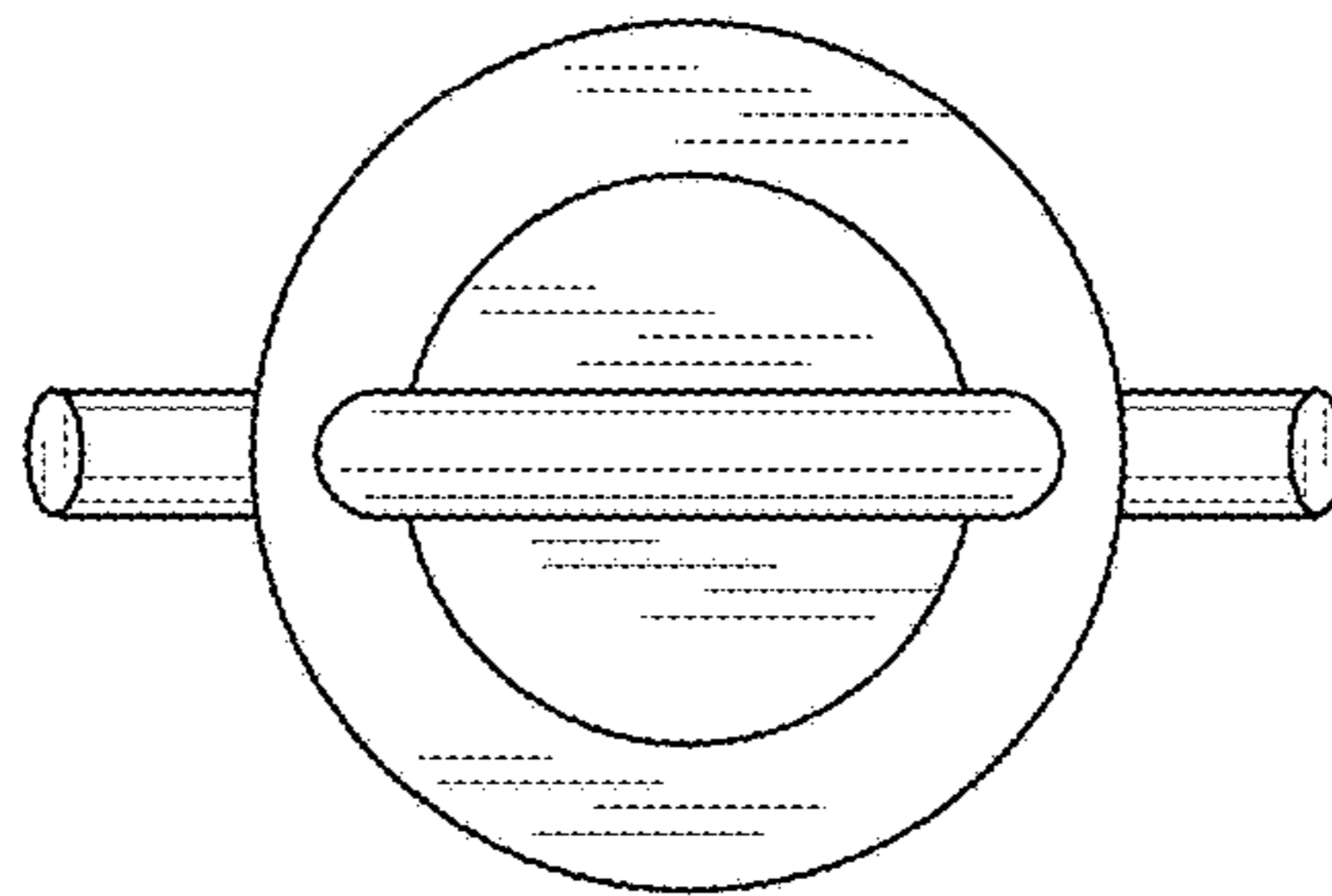


FIG. 6

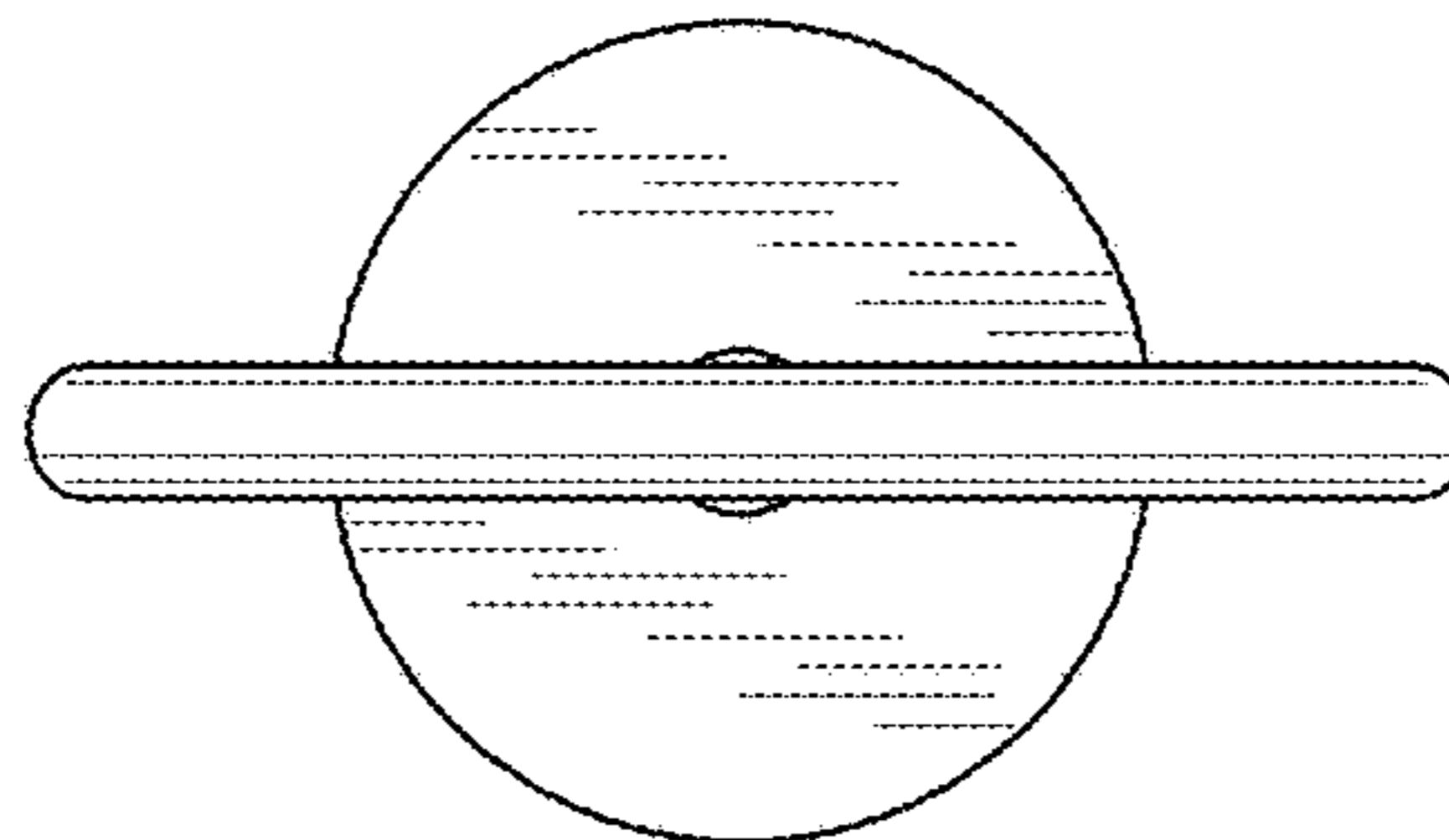


FIG. 7

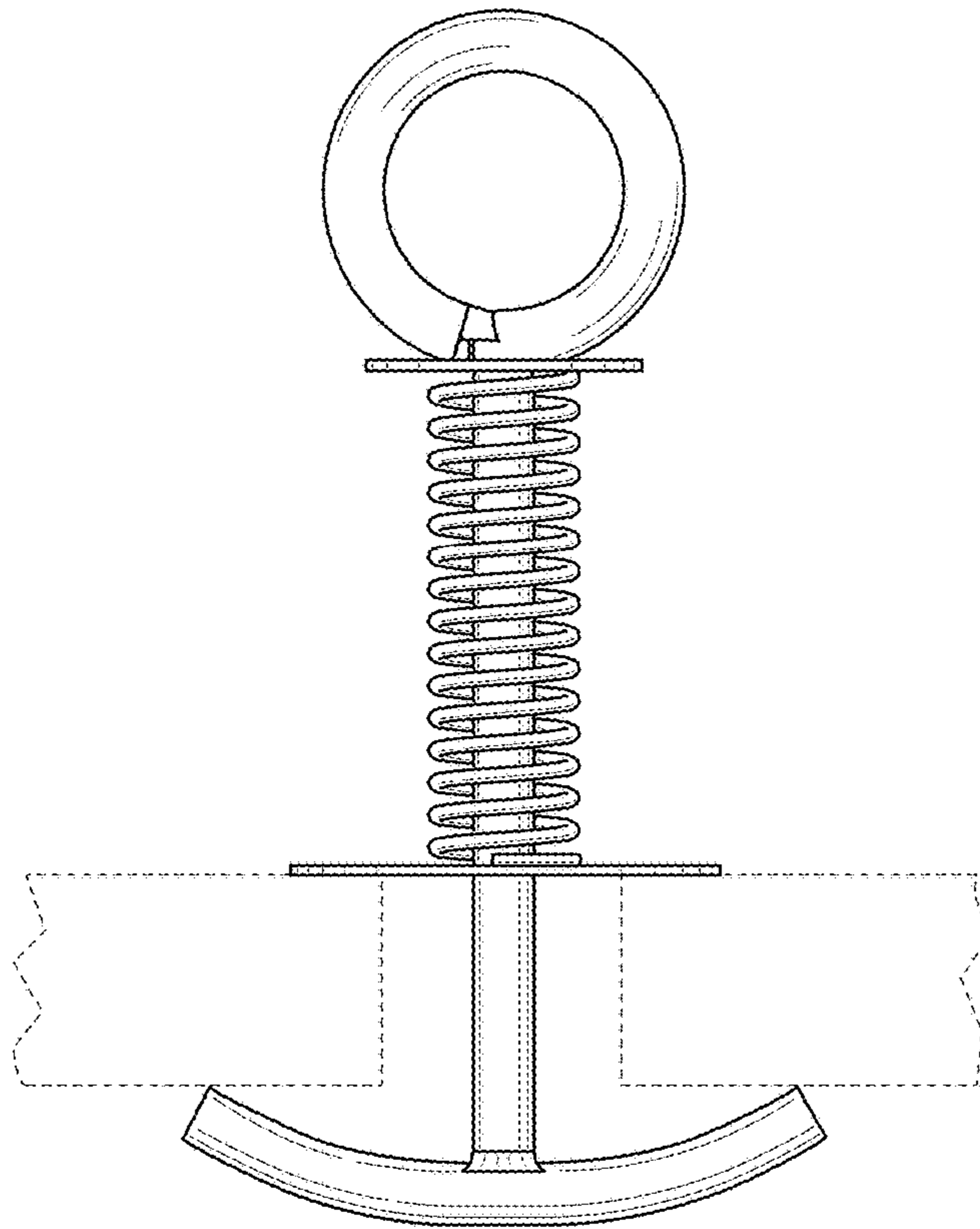


FIG. 8