



US00D845204S

(12) **United States Design Patent**  
**Hilpert**

(10) **Patent No.:** **US D845,204 S**

(45) **Date of Patent:** **\*\* Apr. 9, 2019**

(54) **WHEEL OR WHEEL COVER**

(71) Applicant: **Daimler AG**, Stuttgart (DE)

(72) Inventor: **Kai Hilpert**, Plochingen (DE)

(73) Assignee: **Daimler AG**, Stuttgart (DE)

(\*\*) Term: **15 Years**

(21) Appl. No.: **29/637,941**

(22) Filed: **Feb. 23, 2018**

(30) **Foreign Application Priority Data**

Aug. 24, 2017 (EM) ..... 004161081-0002

(51) **LOC (11) Cl.** ..... **12-16**

(52) **U.S. Cl.**  
USPC ..... **D12/211**

(58) **Field of Classification Search**  
USPC ..... D12/204–213  
CPC .... B60B 7/00; B60B 7/02; B60B 7/04; B60B 7/01; B60B 7/06; B60B 3/02; B60B 3/04; B60B 3/06; B60B 3/10; B60B 1/00; B60B 1/08; B60B 1/10; B60B 1/12  
See application file for complete search history.

(56) **References Cited**

**U.S. PATENT DOCUMENTS**

D522,950 S	*	6/2006	Pfeiffer	.....	D12/211
D576,095 S	*	9/2008	Chung	.....	D12/211
D593,021 S	*	5/2009	Chung	.....	D12/211
D596,548 S	*	7/2009	Gallert	.....	D12/211
D599,268 S	*	9/2009	Bernoni	.....	D12/211
D610,516 S	*	2/2010	Dilber	.....	D12/211
D638,766 S		5/2011	Hilpert		
D658,105 S	*	4/2012	Hans	.....	D12/211

D671,881 S	*	12/2012	Roura	.....	D12/211
D724,515 S	*	3/2015	Chung	.....	D12/209
D732,452 S	*	6/2015	Chung	.....	D12/211
D744,931 S	*	12/2015	Curic	.....	D12/211
D748,558 S	*	2/2016	Hans	.....	D12/211
D766,155 S	*	9/2016	Wheel	.....	D12/211
D768,047 S	*	10/2016	Hans	.....	D12/211
D781,206 S	*	3/2017	Giolito	.....	D12/211
D793,939 S	*	8/2017	Hans	.....	D12/211
D828,267 S	*	9/2018	Badstuebner	.....	D12/209
D828,802 S	*	9/2018	McMath	.....	D12/211

**FOREIGN PATENT DOCUMENTS**

WO WO DM/081001 11/2013

\* cited by examiner

*Primary Examiner* — Stacia A Cadmus

(74) *Attorney, Agent, or Firm* — Crowell & Moring LLP

(57) **CLAIM**

The ornamental design for a wheel or wheel cover, as shown and described.

**DESCRIPTION**

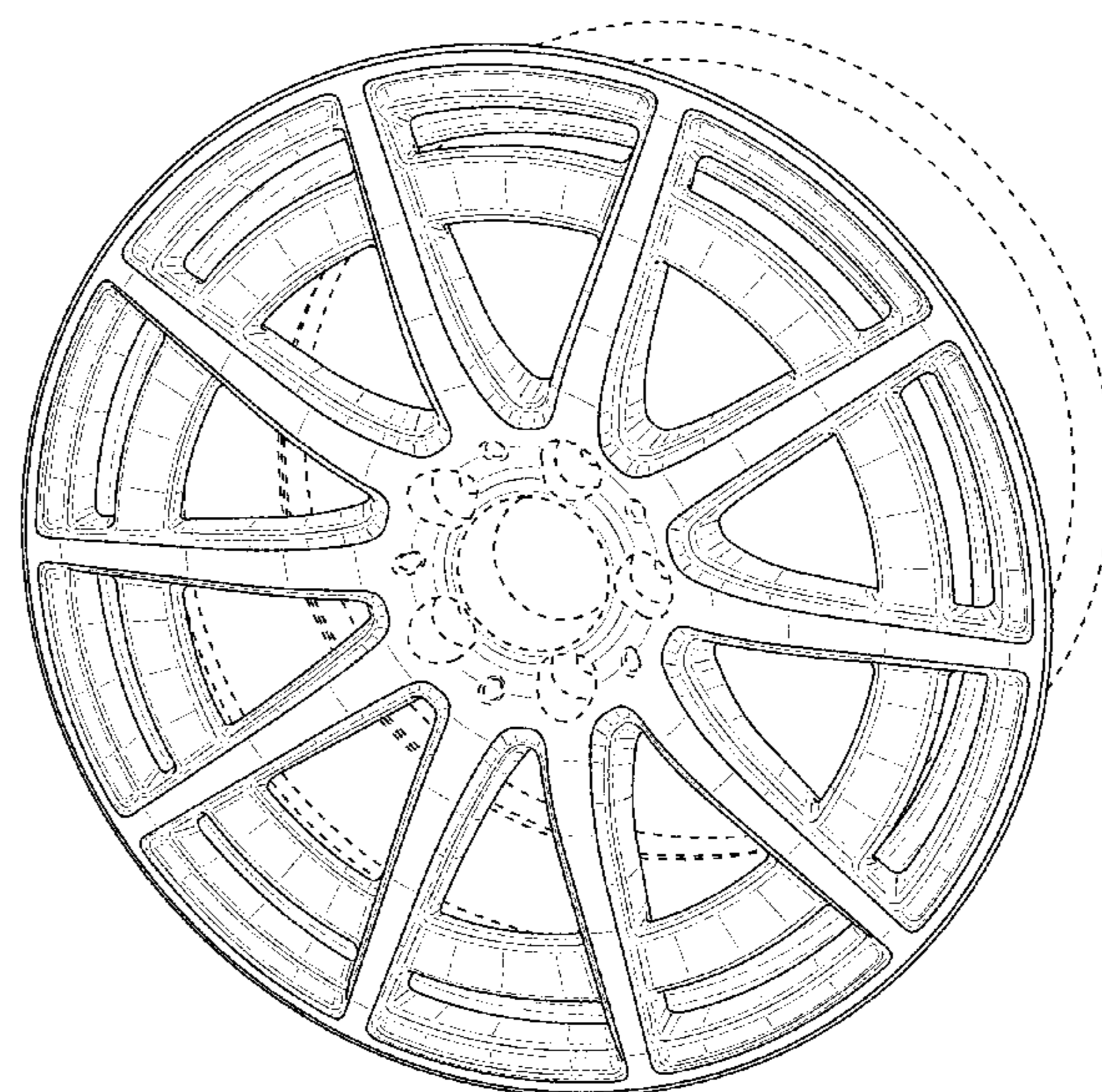
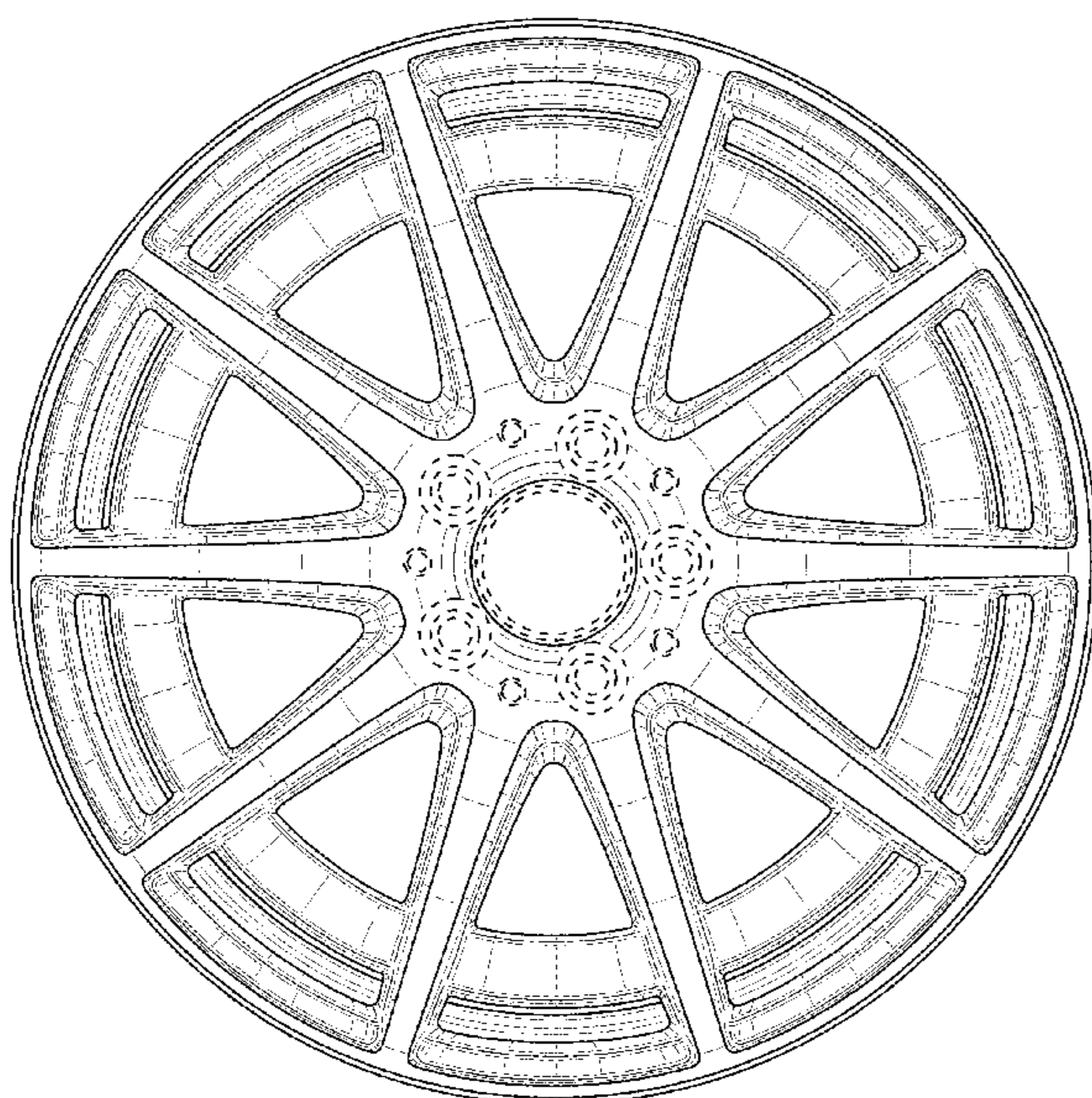
This application contains subject matter related to the following co-pending U.S. design patent applications: Application No. 29/615,023, filed Aug. 25, 2017 and entitled “Wheel or Wheel Cover;” and Application No. 29/615,025 filed Aug. 25, 2017 and entitled “Wheel or Wheel Cover.”

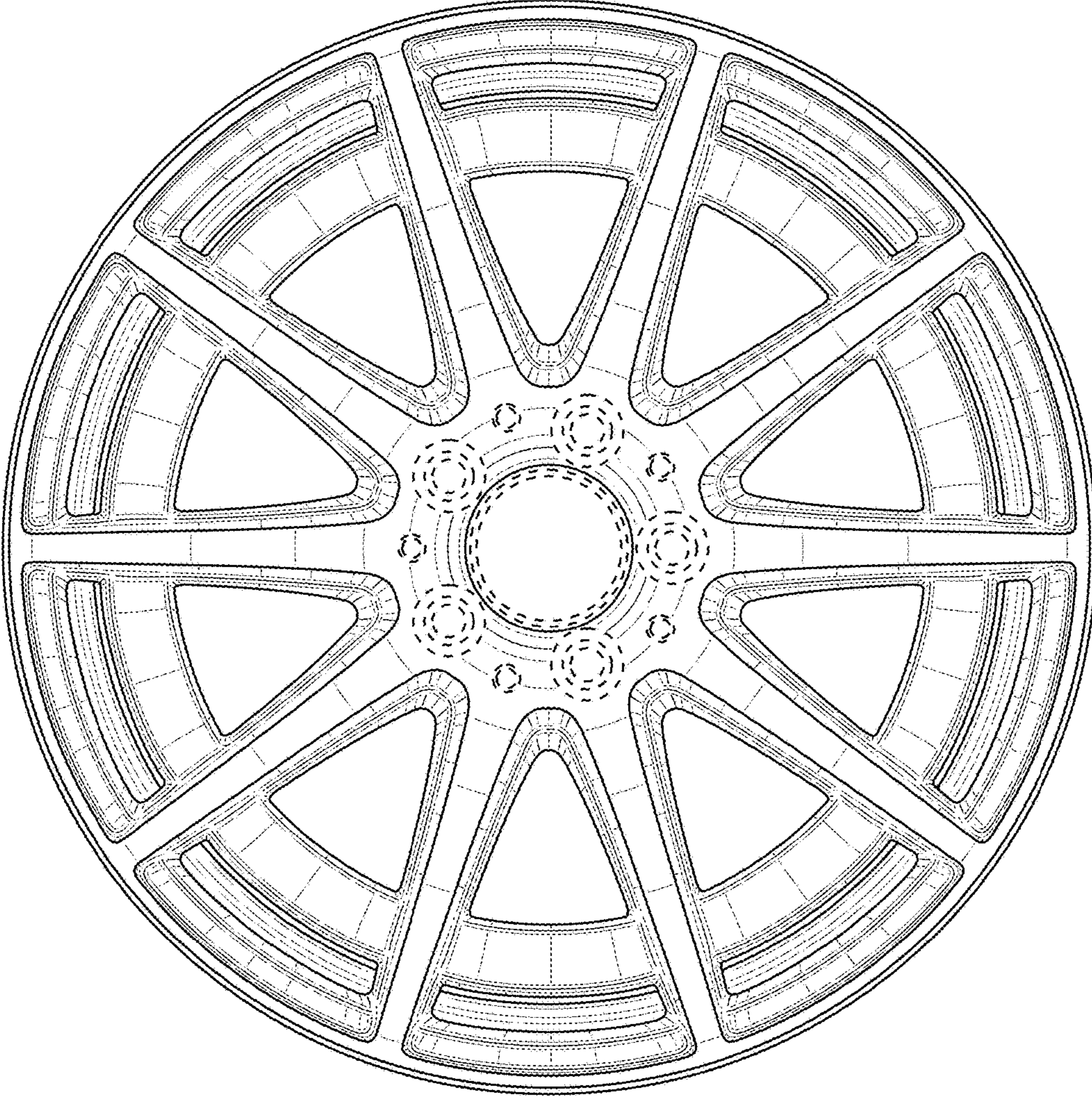
FIG. 1 is a front view of a wheel or wheel cover according to the design; and,

FIG. 2 is a perspective view thereof.

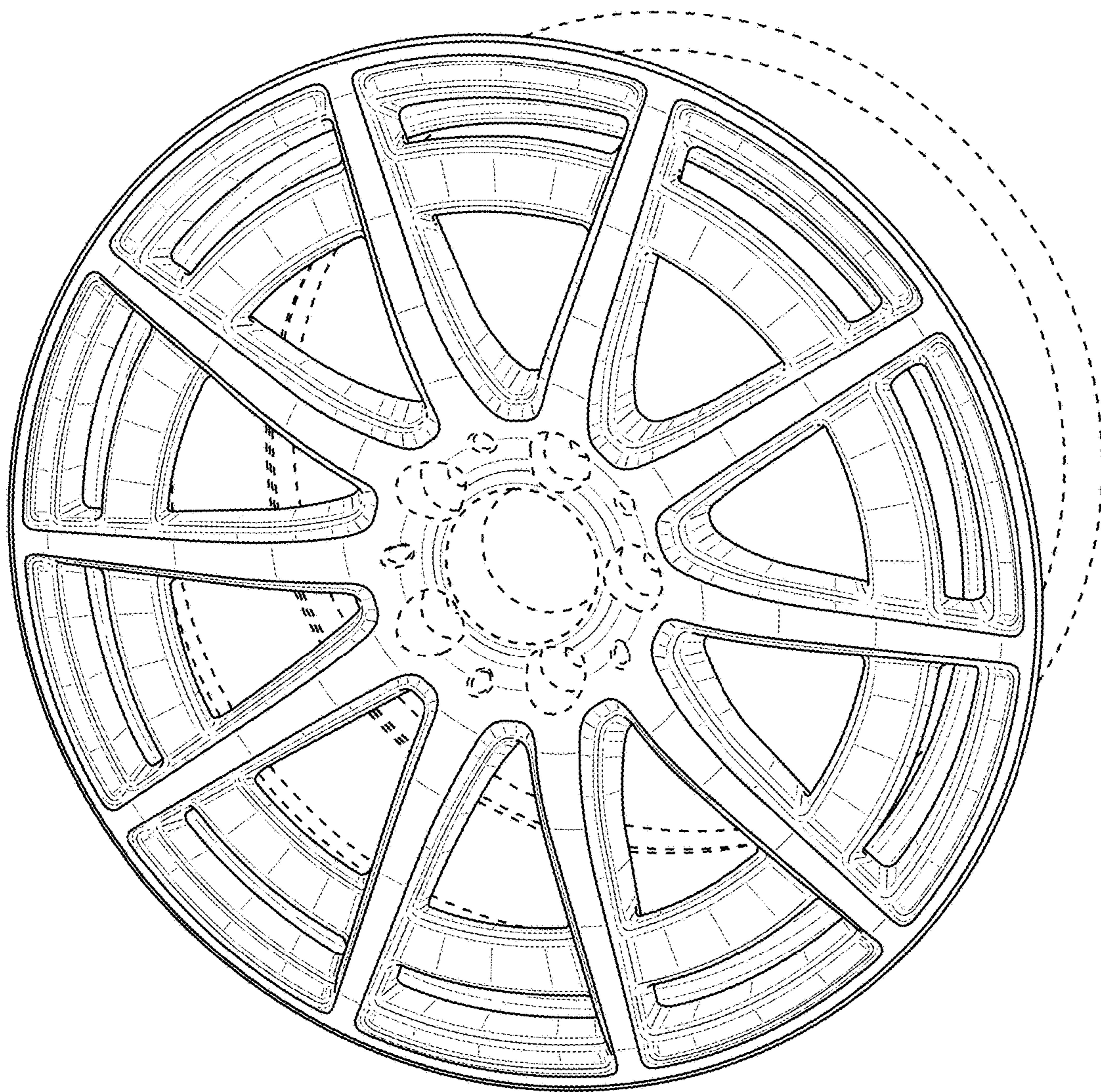
The broken lines in the drawings illustrate environmental subject matter only and form no part of the claimed design.

**1 Claim, 2 Drawing Sheets**





**FIG. 1**



**FIG. 2**