



US00D845202S

(12) **United States Design Patent**  
**Battams**

(10) **Patent No.:** **US D845,202 S**

(45) **Date of Patent:** **\*\* Apr. 9, 2019**

(54) **WHEEL**

(71) Applicant: **Jaguar Land Rover Limited**, Whitley,  
Coventry (GB)

(72) Inventor: **Robert Battams**, Coventry (GB)

(73) Assignee: **Jaguar Land Rover Limited**, Whitley,  
Coventry (GB)

(\*\*) Term: **15 Years**

(21) Appl. No.: **29/622,367**

(22) Filed: **Oct. 17, 2017**

(51) **LOC (11) Cl.** ..... **12-16**

(52) **U.S. Cl.**  
USPC ..... **D12/209**

(58) **Field of Classification Search**  
USPC ..... D12/204-213; D21/533, 561, 563  
CPC .... B60B 7/00; B60B 7/02; B60B 7/04; B60B  
7/06; B60B 3/02; B60B 3/04; B60B 3/06;  
B60B 3/10; B60B 1/00; B60B 1/08;  
B60B 1/10; B60B 1/12  
See application file for complete search history.

(56) **References Cited**

**U.S. PATENT DOCUMENTS**

D513,222 S	*	12/2005	Pohanka	.....	D12/211
D644,158 S	*	8/2011	Nissl	.....	D12/211
D655,657 S	*	3/2012	Juergens	.....	D12/209
D666,958 S	*	9/2012	Suzuki	.....	D12/211
D695,190 S	*	12/2013	Goto	.....	D12/209
D726,628 S	*	4/2015	Kong	.....	D12/211
D730,799 S	*	6/2015	Hans	.....	D12/209

D748,035 S	*	1/2016	Wagener	.....	D12/211
D756,287 S	*	5/2016	Koglin	.....	D12/211
D756,878 S	*	5/2016	Valencia Pollex	.....	D12/209
D758,275 S	*	6/2016	Patel	.....	D12/209
D759,562 S	*	6/2016	Wheel	.....	D12/209
D761,711 S	*	7/2016	Wolff	.....	D12/209
D785,537 S	*	5/2017	Valencia Pollex	.....	D12/211
D791,048 S	*	7/2017	Valencia Pollex	.....	D12/211
D813,781 S	*	3/2018	Valencia Pollex	.....	D12/209
D822,576 S	*	7/2018	Austin	.....	D12/211
D824,318 S	*	7/2018	Wheel	.....	D12/211
D825,427 S	*	8/2018	Myrberg	.....	D12/209
D826,126 S	*	8/2018	Valencia Pollex	.....	D12/209
D826,828 S	*	8/2018	Wheel	.....	D12/211

\* cited by examiner

*Primary Examiner* — Sheryl Lane

*Assistant Examiner* — Calvin E Vansant

(74) *Attorney, Agent, or Firm* — Wood Herron & Evans  
LLP

(57) **CLAIM**

The ornamental design for a wheel, as shown and described.

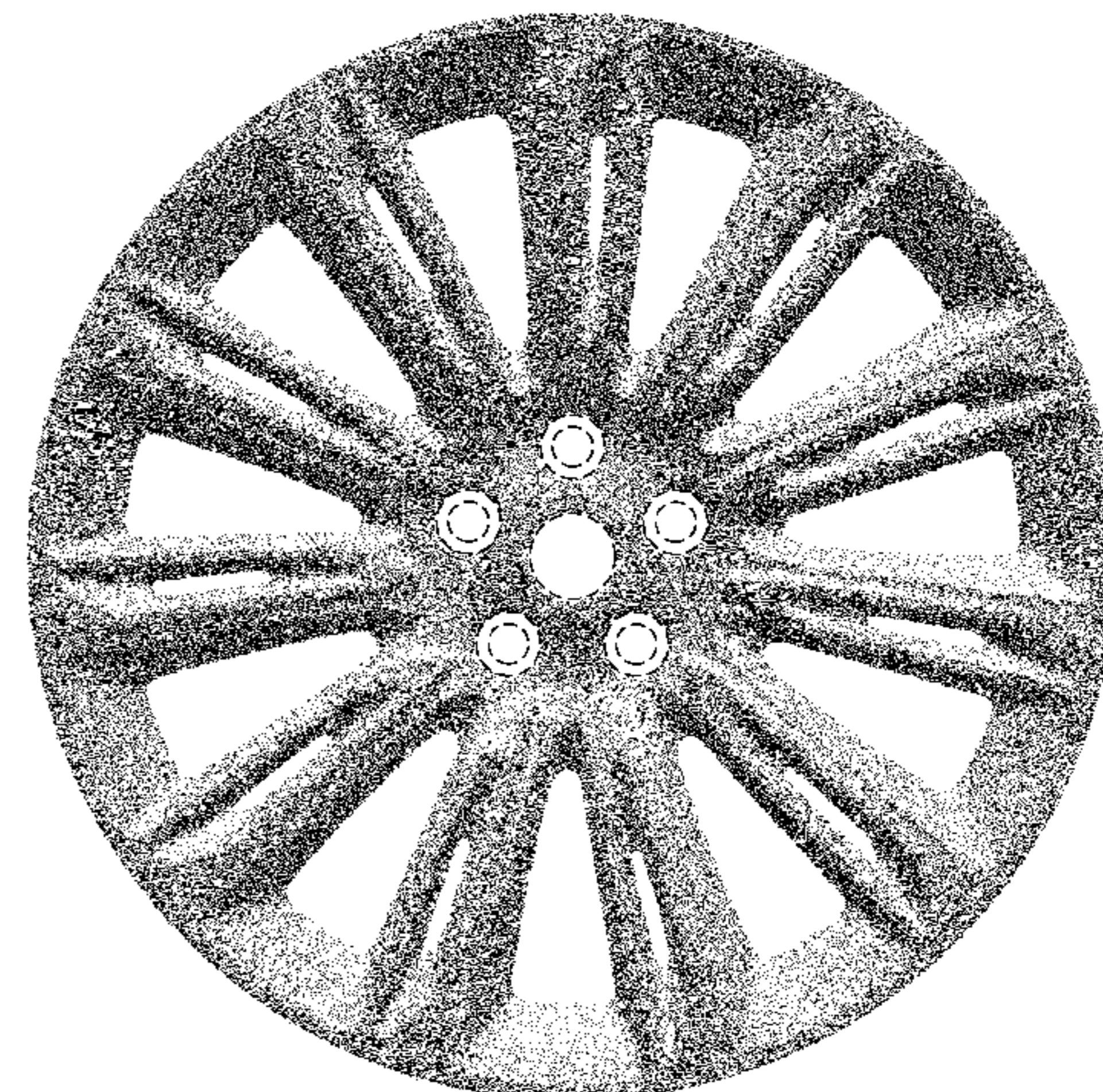
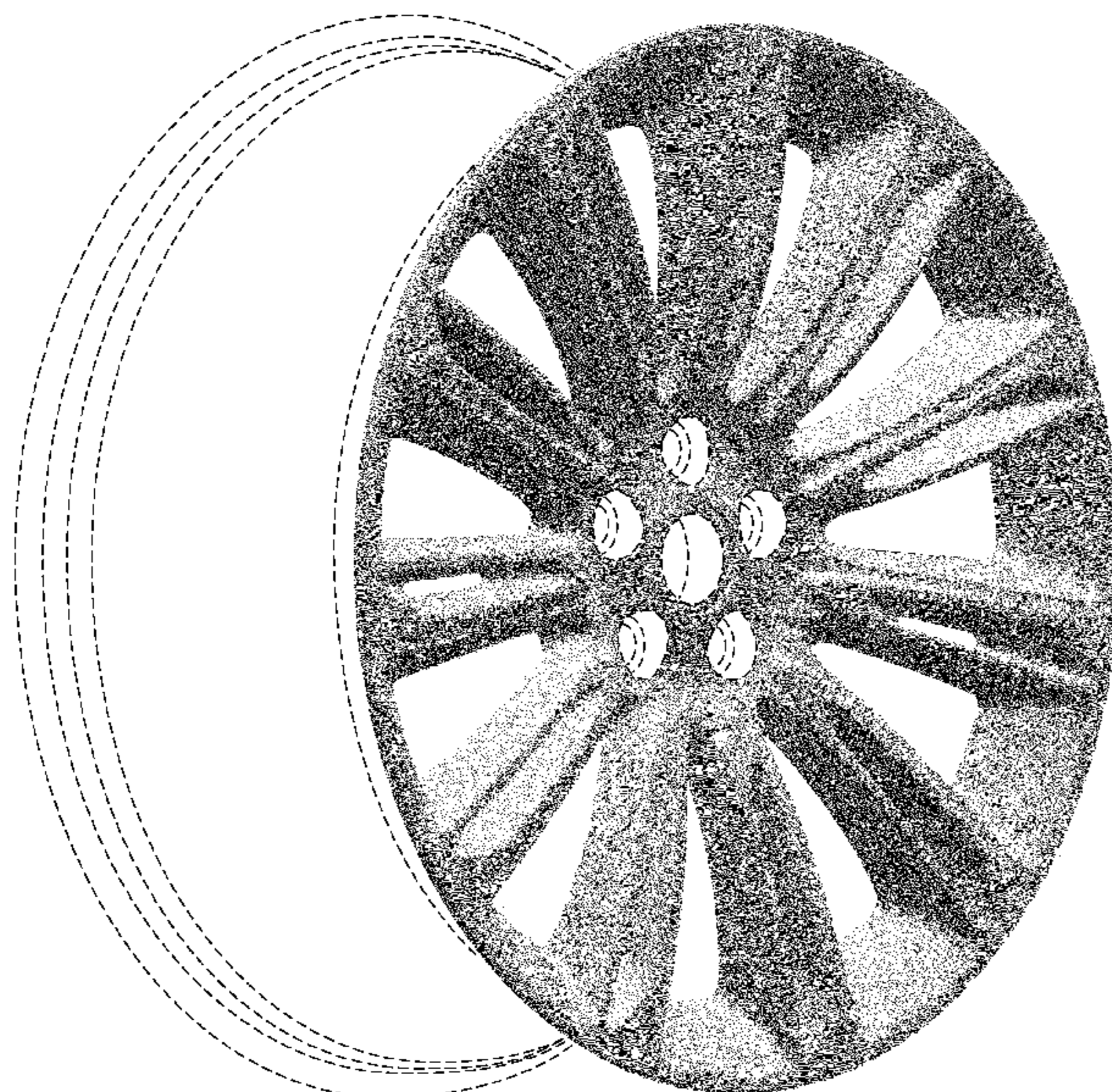
**DESCRIPTION**

FIG. 1 is a front left perspective view of a wheel for a vehicle according to the present invention.

FIG. 2 is a front view of the wheel shown in FIG. 1; and, FIG. 3 is a left side view thereof, the right side being a mirror image thereof.

In FIGS. 1-3, the broken line showing of the rear of the rim, the bolt holes, and the center hole in the central hub area is included for the purpose of illustrating environment and forms no part of the claimed design.

**1 Claim, 2 Drawing Sheets**



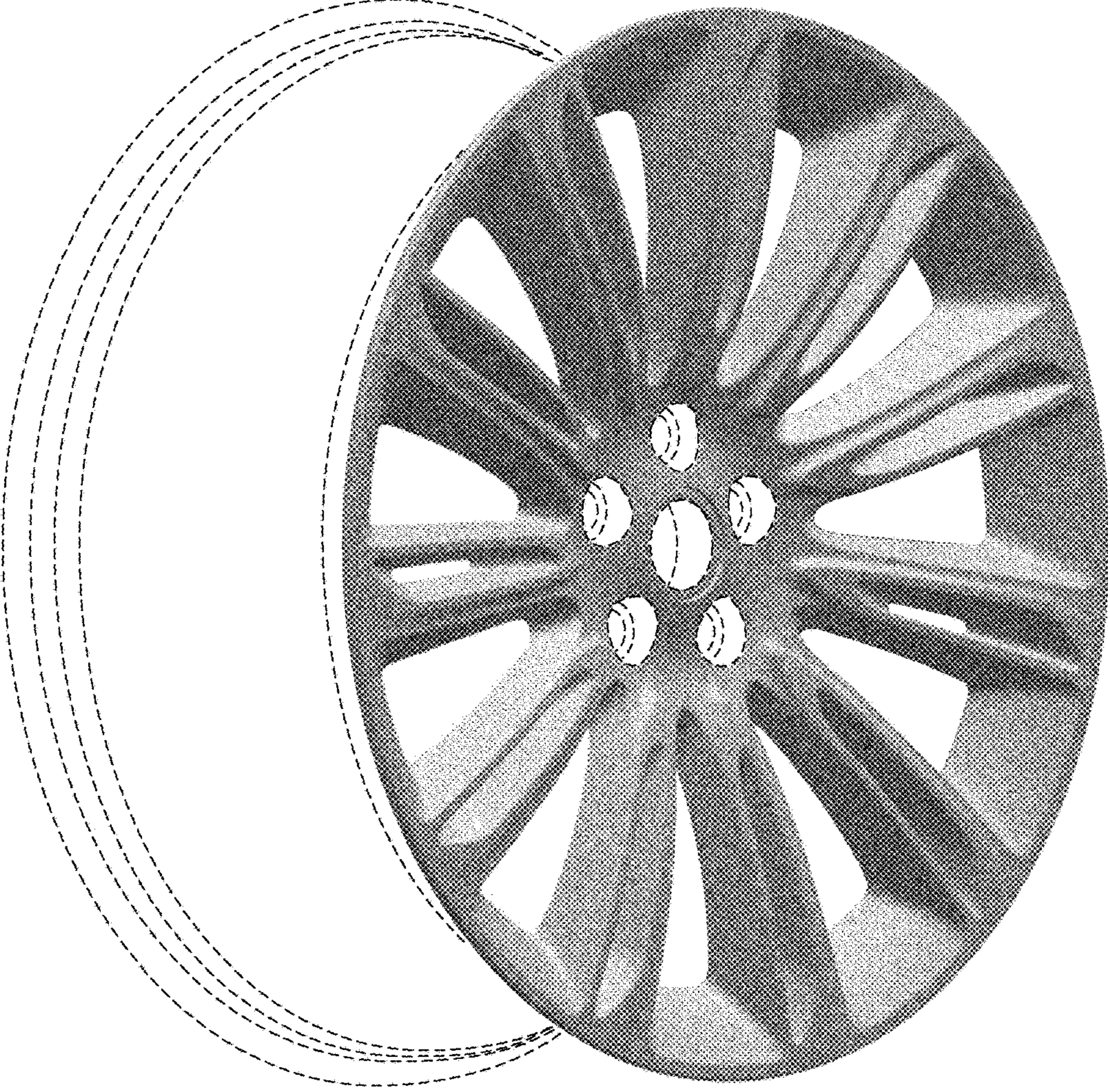


FIG. 1

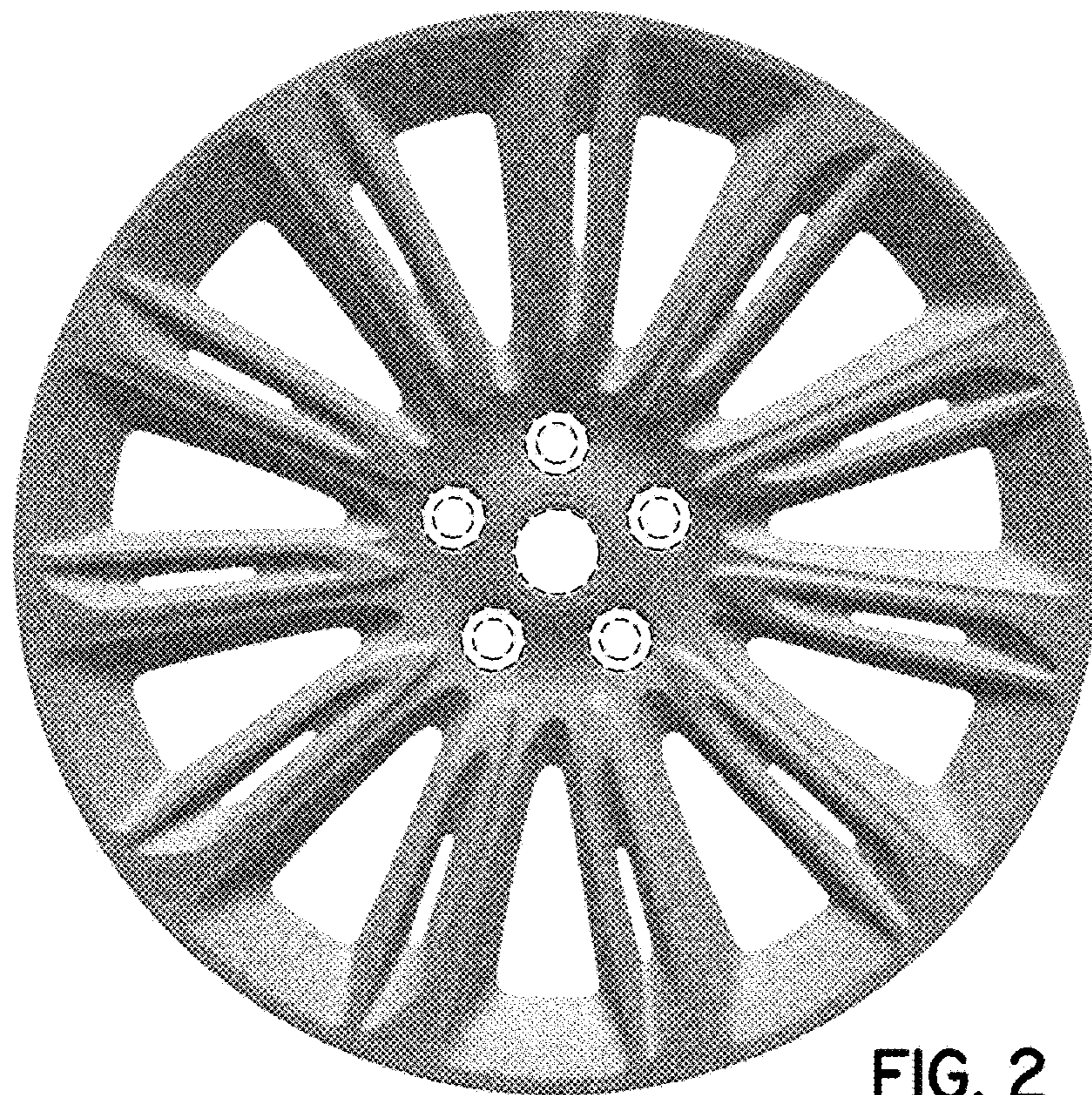


FIG. 2

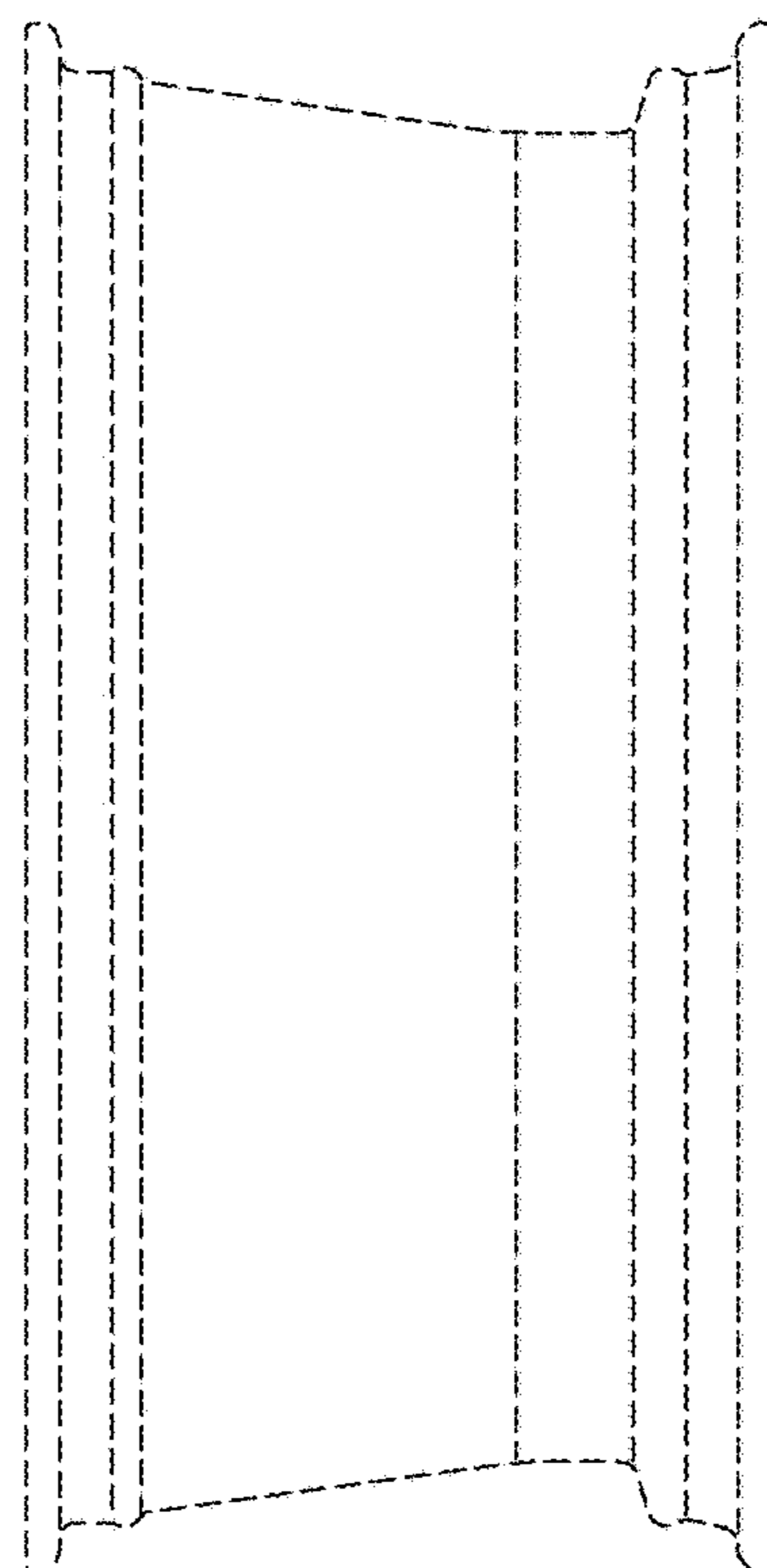


FIG. 3

UNITED STATES PATENT AND TRADEMARK OFFICE  
**CERTIFICATE OF CORRECTION**

PATENT NO. : D845,202 S  
APPLICATION NO. : 29/622367  
DATED : April 9, 2019  
INVENTOR(S) : Robert Battams

Page 1 of 1

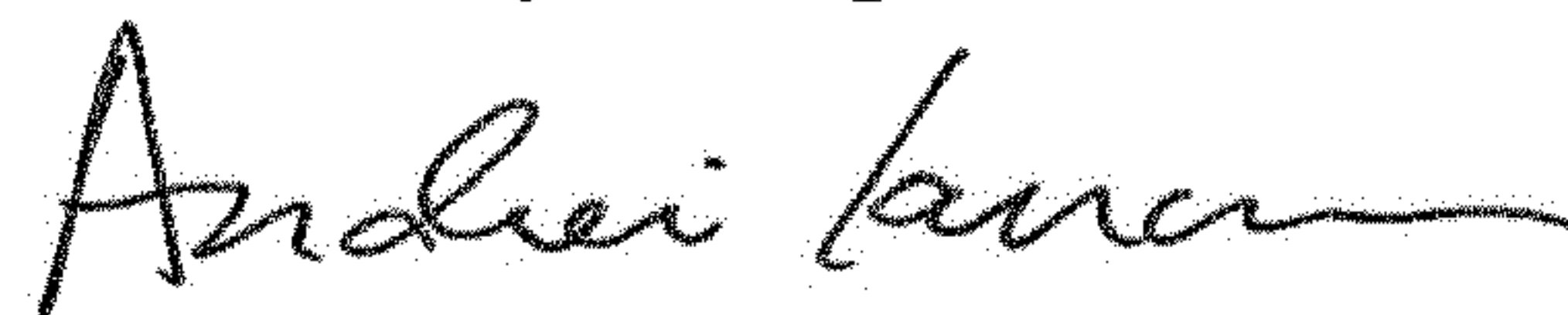
It is certified that error appears in the above-identified patent and that said Letters Patent is hereby corrected as shown below:

On the Title Page

Column 1, the heading "Foreign Application Priority Data" and the information are missing. It should read as follows:

--(30) Foreign Application Priority Data  
April 21, 2017 (EM).....003866789.--

Signed and Sealed this  
Third Day of September, 2019



Andrei Iancu  
*Director of the United States Patent and Trademark Office*