



US00D845199S

(12) **United States Design Patent** (10) **Patent No.:** **US D845,199 S**
MacNeil et al. (45) **Date of Patent:** **** Apr. 9, 2019**

(54) **MUD FLAP** 4,315,634 A * 2/1982 Arenhold B62D 25/18
 280/851
 (71) Applicant: **MacNeil IP LLC**, Bolingbrook, IL 4,451,063 A 5/1984 Snyder
 (US) D274,324 S * 6/1984 Arenhold D12/185
 (Continued)

(72) Inventors: **David F. MacNeil**, Fort Lauderdale, FL
 (US); **Walter Malinowicz**, Chicago, IL
 (US)

FOREIGN PATENT DOCUMENTS

JP 04254267 A 9/1992
 JP 05319311 A 12/1993
 (Continued)

(73) Assignee: **MACNEIL IP LLC**, Bolingbrook, IL
 (US)

OTHER PUBLICATIONS

(**) Term: **15 Years**

A web page for MKM Customs offering ICON Ford Raptor Quick Release Midflap System 2010-13 for sale, 2 pages, image downloaded on Sep. 19, 2017.

(21) Appl. No.: **29/618,250**

(22) Filed: **Sep. 20, 2017**

(51) **LOC (11) Cl.** **12-16**

(52) **U.S. Cl.**
 USPC **D12/185**

(58) **Field of Classification Search**
 USPC D12/90-92, 93, 96, 181, 184, 185, 196,
 D12/202
 CPC B62D 25/18; B62D 25/188
 See application file for complete search history.

Primary Examiner — Darlington Ly

(74) *Attorney, Agent, or Firm* — Perkins IP Law Group LLC; Jefferson Perkins

(57) **CLAIM**

We claim the ornamental design for a mud flap, as shown and described.

DESCRIPTION

(56) **References Cited**

U.S. PATENT DOCUMENTS

1,805,933 A	5/1931	Victor	
1,809,711 A	6/1931	Kile	
1,947,525 A	2/1934	Hume	
2,059,869 A	11/1936	Holecek	
3,684,311 A	8/1972	Pierce	
D241,827 S *	10/1976	Podall	D12/185
4,021,055 A	5/1977	Okland	
D257,532 S	11/1980	Okland	
4,257,620 A	3/1981	Okland	
D260,253 S	8/1981	Waters, Jr.	
D260,759 S *	9/1981	Arenhold	D12/185
D261,133 S	10/1981	Makela	
4,311,320 A	1/1982	Waters, Jr.	

FIG. 1 is a top, rear, and right side perspective view of a mud flap showing our new design as installed on a motor vehicle;
 FIG. 2 is a top, rear, and right side perspective view of the mud flap;

FIG. 3 is a rear elevation view thereof;

FIG. 4 is a front elevation view thereof;

FIG. 5 is a top plan view thereof;

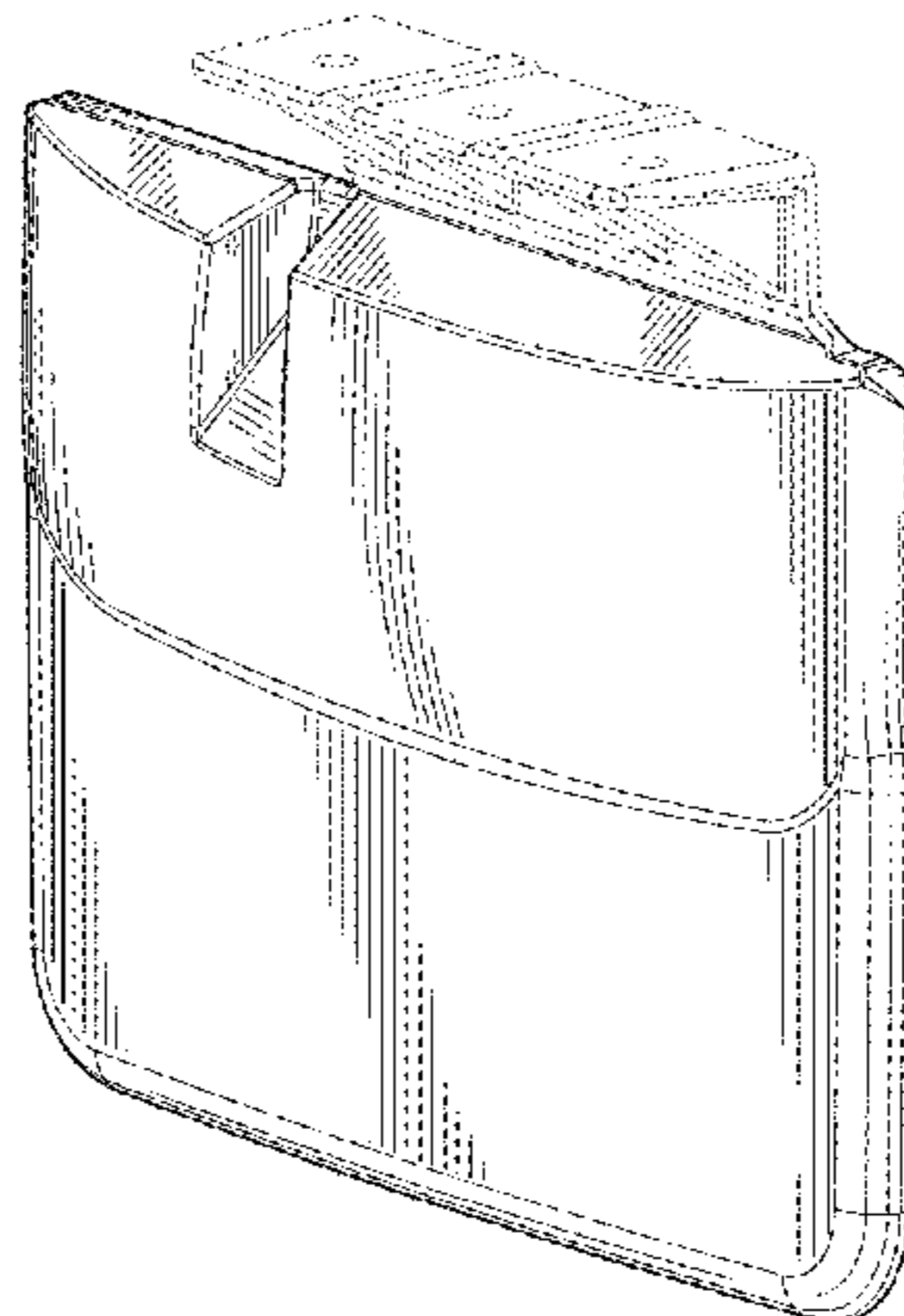
FIG. 6 is a bottom plan view thereof;

FIG. 7 is a left side elevation view thereof; and,

FIG. 8 is a right side elevation view thereof.

The broken line showing of a motor vehicle and fastening brackets are provided for the purpose of illustrating environmental structures and form no part of the claimed design.

1 Claim, 6 Drawing Sheets



(56)

References Cited

U.S. PATENT DOCUMENTS

D279,560 S * 7/1985 Jensen D12/185
D281,966 S * 12/1985 Lockwood D12/185
D282,158 S * 1/1986 Wright D12/185
4,696,507 A 9/1987 Alldredge
4,709,938 A 12/1987 Ward et al.
D301,710 S * 6/1989 Ward D12/185
4,921,276 A 5/1990 Morin
D308,847 S * 6/1990 Price D12/185
D308,958 S * 7/1990 Knox D12/185
D309,724 S * 8/1990 Jurgens D12/185
D328,447 S * 8/1992 Ahleen D12/185
D332,770 S * 1/1993 Rutter D12/185
5,286,049 A 2/1994 Khan
5,375,882 A 12/1994 Koch, III
5,382,035 A 1/1995 Waddington et al.
5,407,229 A * 4/1995 Garrett B62D 25/18
280/851
5,489,108 A 2/1996 Slade
5,722,690 A 3/1998 Ward et al.

D395,630 S 6/1998 Stanesic et al.
D406,087 S * 2/1999 Bavington D12/185
D415,460 S * 10/1999 Ward D12/185
6,179,311 B1 * 1/2001 Larkin B62D 25/188
280/154
6,533,323 B1 3/2003 Weaver
6,702,329 B1 3/2004 Nishio
D615,468 S * 5/2010 Harris D12/185
8,651,528 B2 2/2014 Earl et al.
9,004,538 B2 * 4/2015 Eklund B62D 25/188
280/762
D792,823 S * 7/2017 Senatro D12/185
9,724,974 B2 * 8/2017 Schmeichel B60D 1/58
2008/0150273 A1 6/2008 Sugiyama et al.

FOREIGN PATENT DOCUMENTS

JP 07315251 A 12/1995
JP 08119148 A 5/1996
JP 09104366 A 4/1997

* cited by examiner

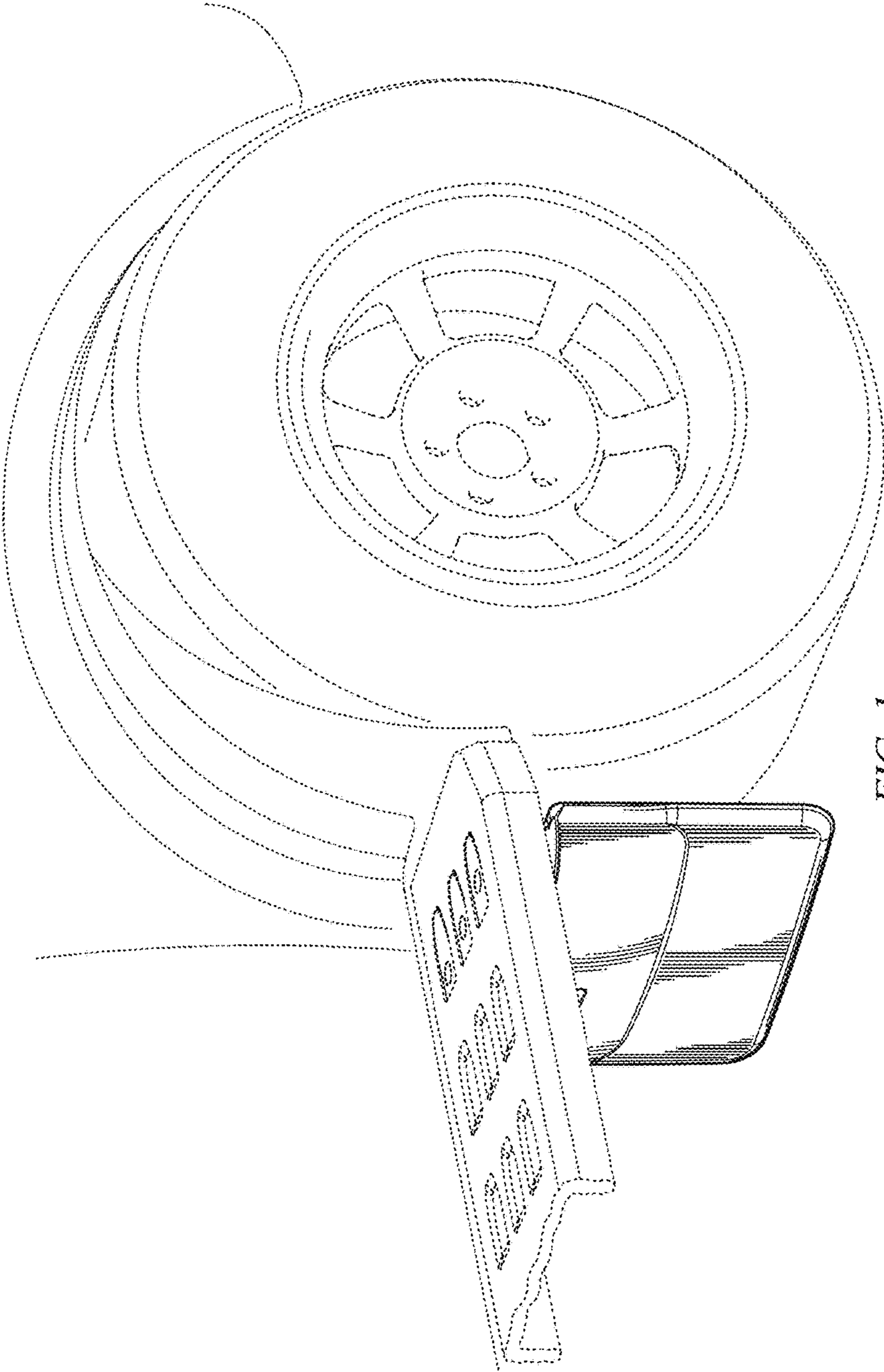


FIG. 1

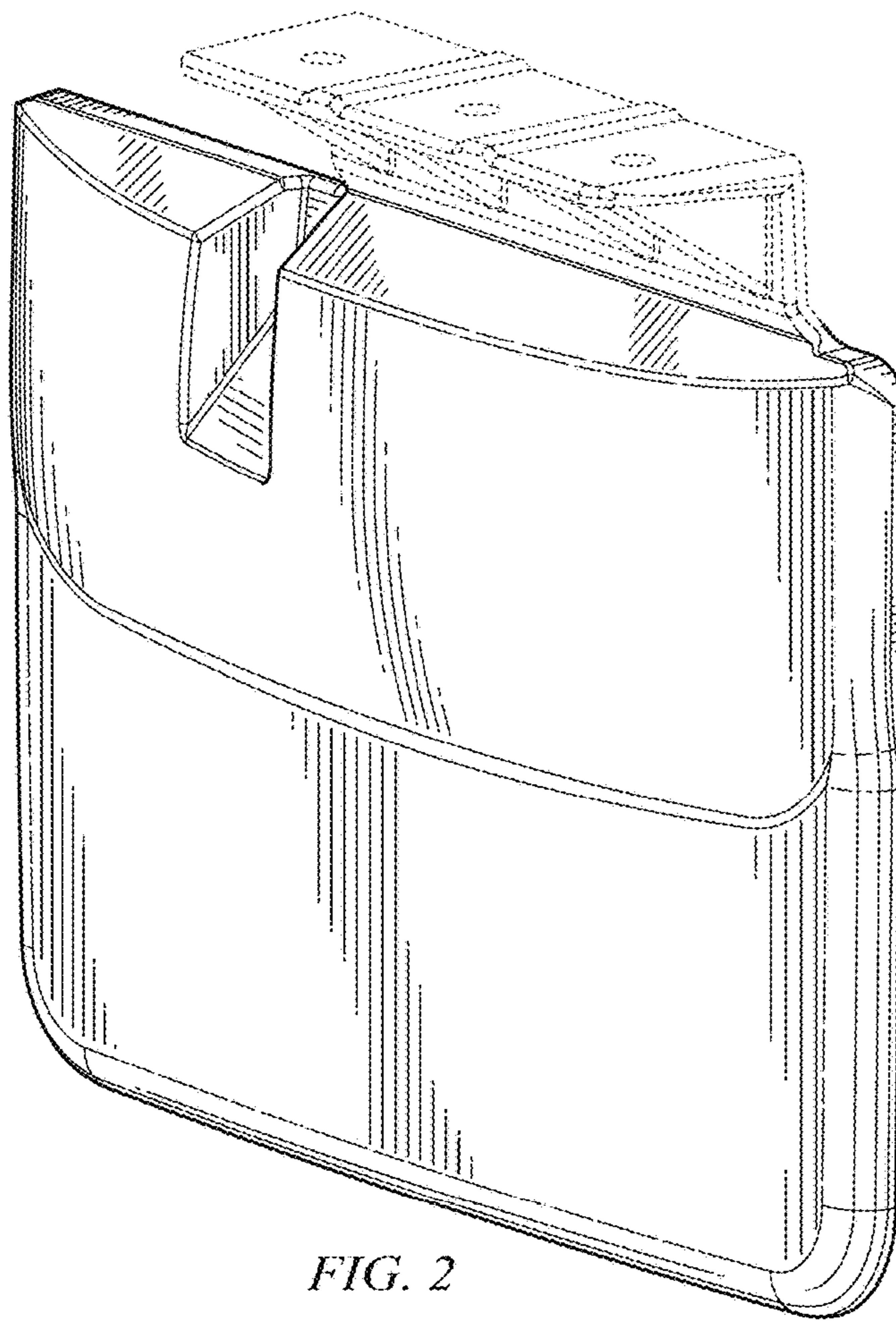
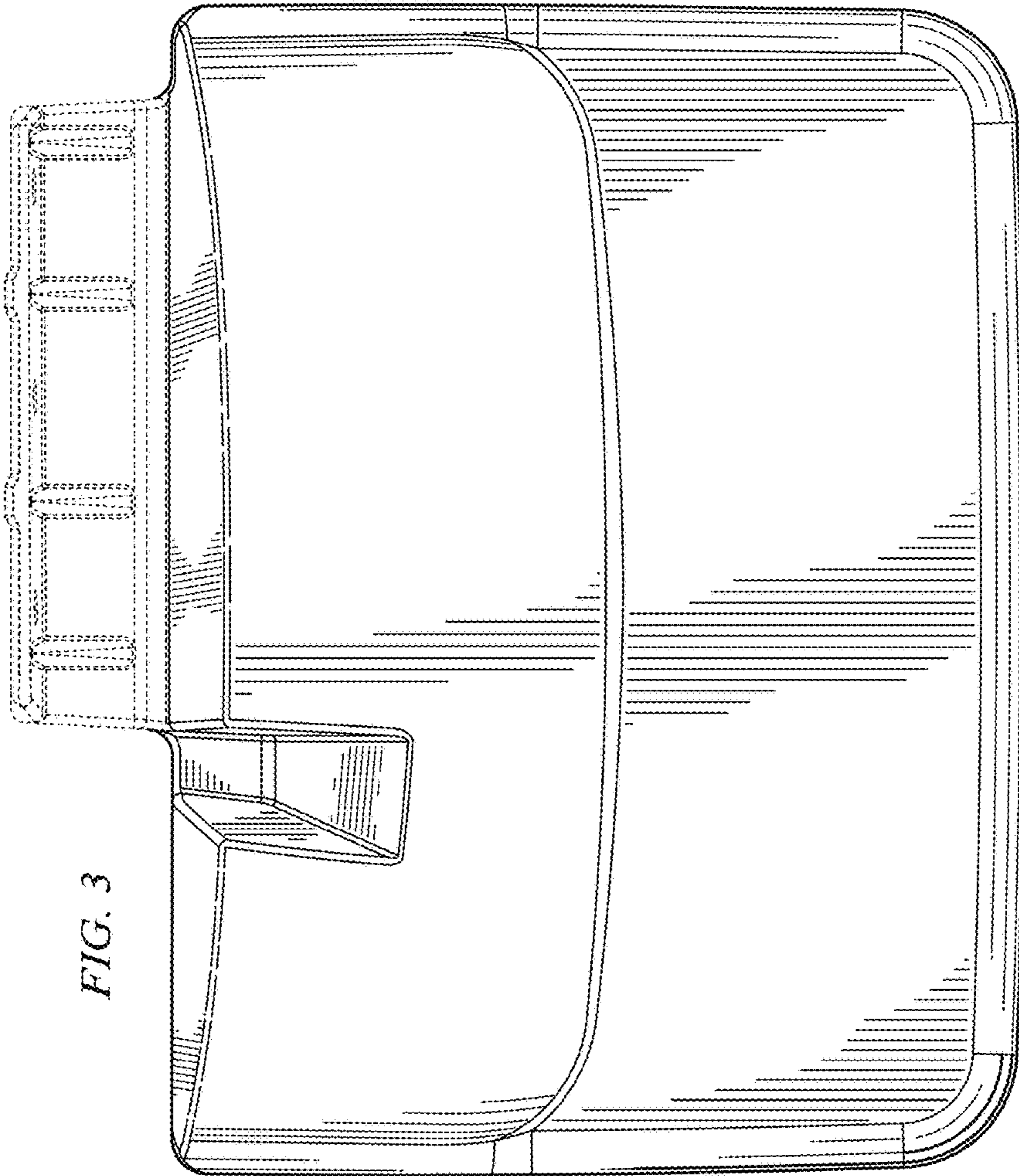
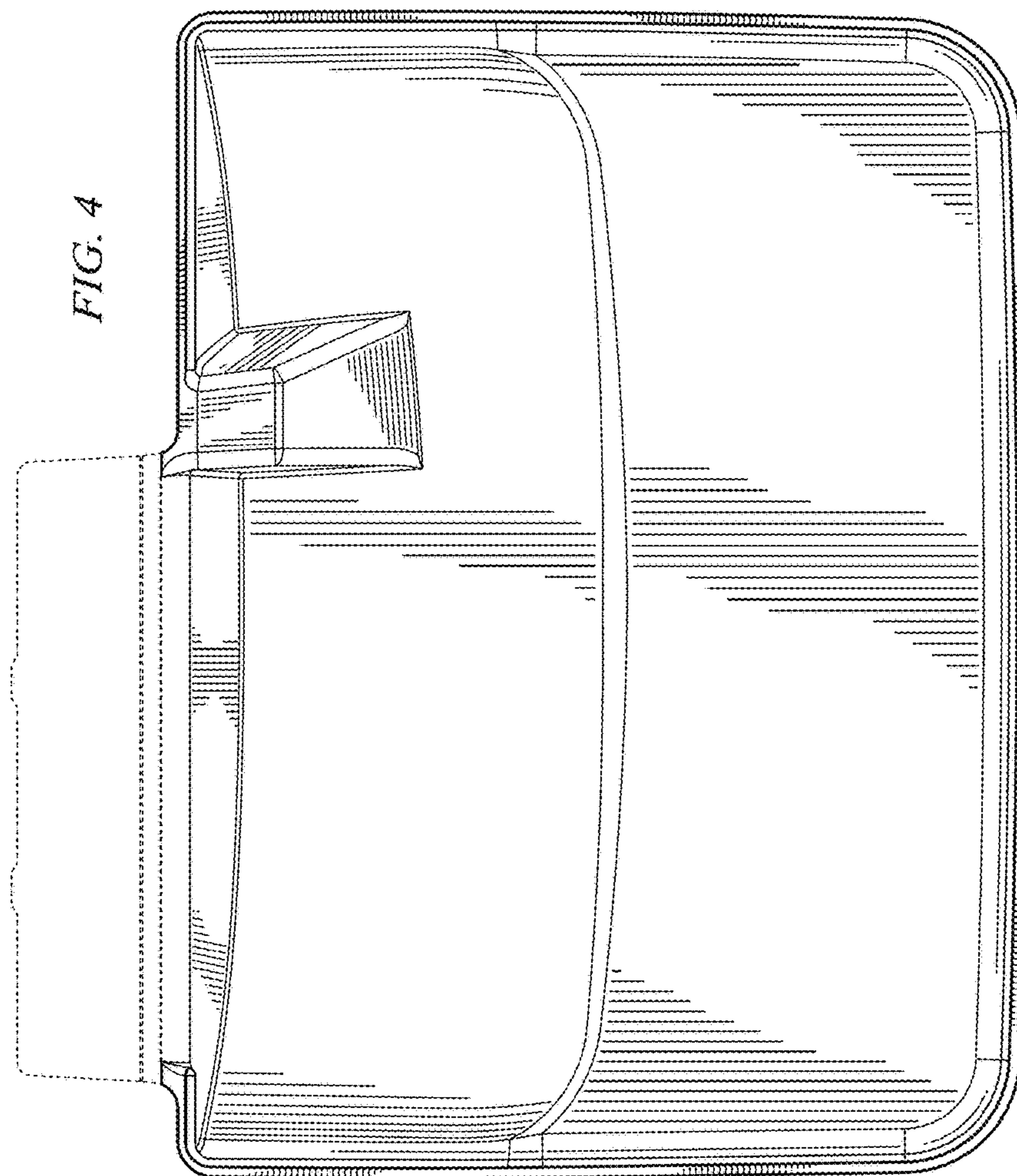


FIG. 2





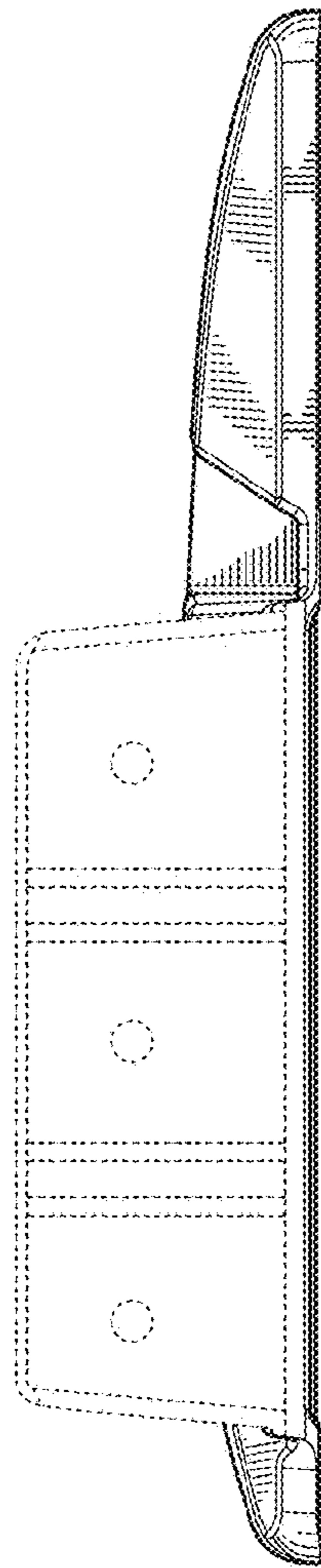


FIG. 5

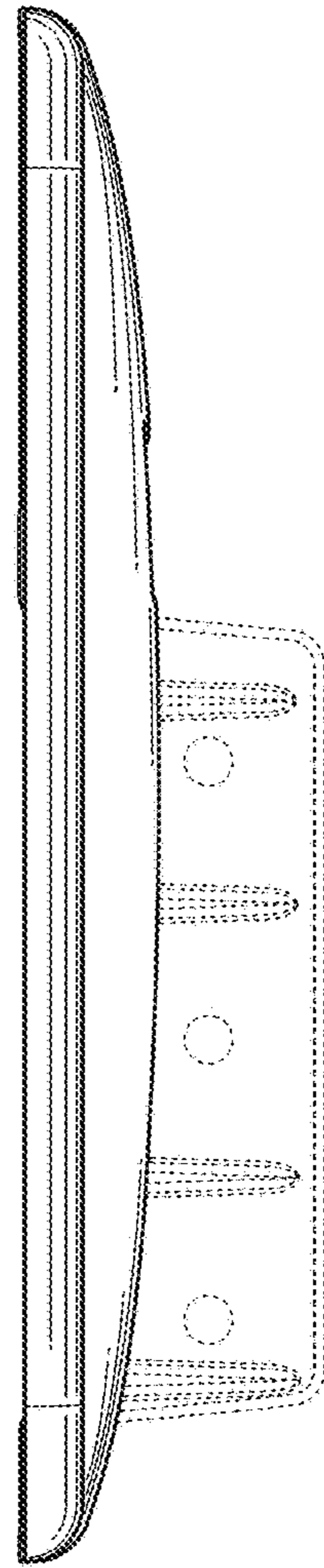


FIG. 6

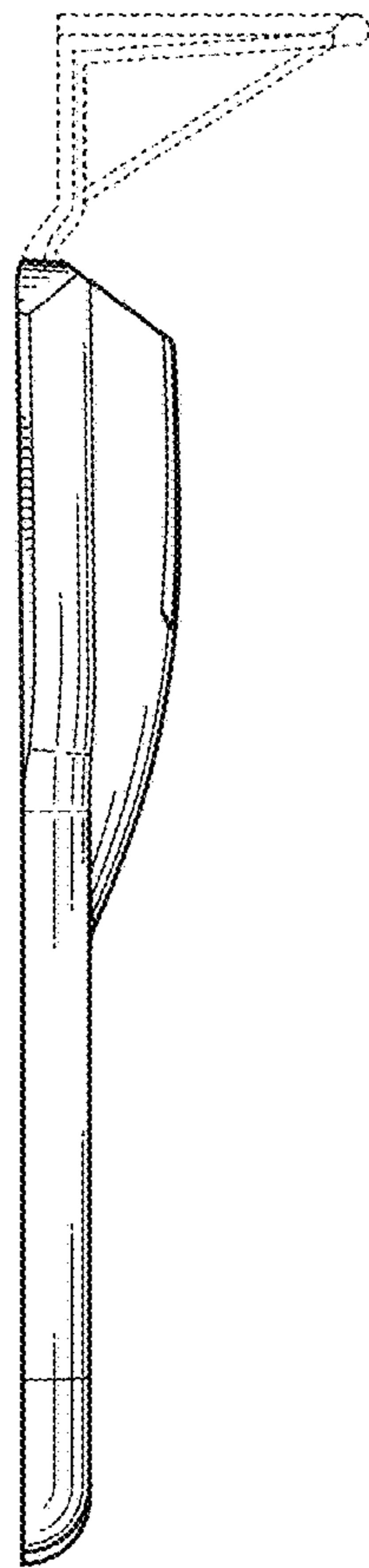


FIG. 7

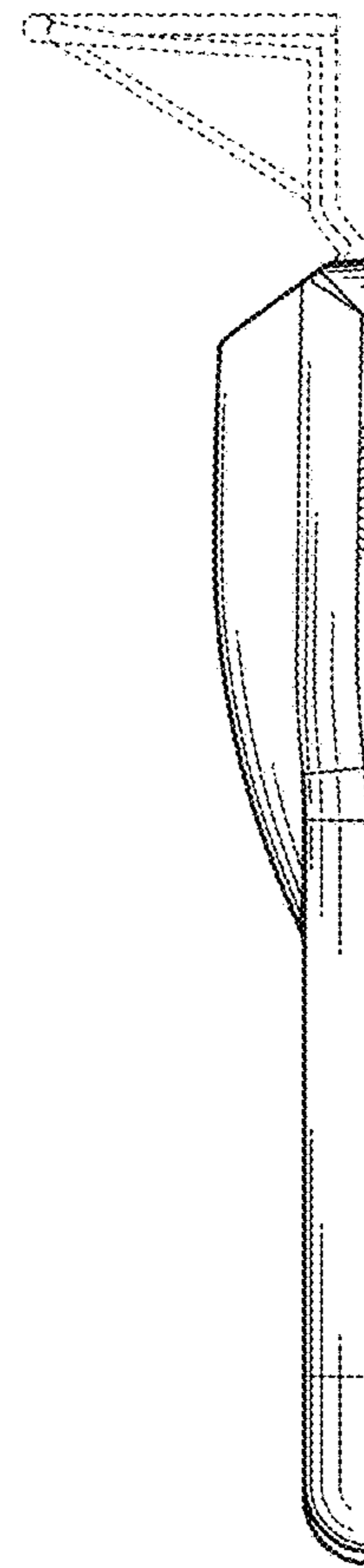


FIG. 8