



US00D845197S

(12) **United States Design Patent** (10) **Patent No.:** **US D845,197 S**  
**Wang** (45) **Date of Patent:** **\*\* Apr. 9, 2019**

(54) **CLUTCH PRESSURE PLATE COVER**

(71) Applicant: **Li Wang**, Shanghai (CN)

(72) Inventor: **Li Wang**, Shanghai (CN)

(73) Assignee: **Shanghai Engin Industry Co., Ltd**,  
Shanghai (CN)

(\*\*) Term: **15 Years**

(21) Appl. No.: **29/622,169**

(22) Filed: **Oct. 14, 2017**

(51) **LOC (11) Cl.** ..... **12-16**

(52) **U.S. Cl.**  
USPC ..... **D12/180**

(58) **Field of Classification Search**

USPC ..... D12/14, 40, 87, 88, 92, 106, 107, 110,  
D12/114, 115, 117, 118, 122, 126, 160,  
D12/161, 162, 174, 177, 179, 180, 181,  
D12/189, 196, 207, 217, 223, 400, 401,  
D12/404, 408, 415, 420, 423

CPC .. B32B 3/06; B60R 1/025; B60R 1/08; B60T  
1/06; B60T 7/00; B60T 8/265; B60T  
11/00; B60T 11/103; B60T 13/00; B60T  
13/66; B60T 17/223; B60T 2201/00;  
B60T 2201/03; B60T 2260/00; B60T  
2270/82; B60T 2270/83; B62K 23/06;  
B62H 5/001; B62J 9/006; B62L 1/02;  
B62L 3/02; B62D 13/025; B62D 21/18;  
B62D 53/045; B62D 63/04; B62D 65/02;  
B62D 65/18; B65D 43/16; B65D 43/22;  
B65D 55/02; F16D 55/00; F16D 55/22;  
F16D 65/00; F16D 65/092; F16D 65/095;  
F16D 65/097; F16D 65/14; F16D 65/16;  
F16D 65/18; F16D 65/22; F16D 65/38;  
F16D 65/56; F16D 65/847; F16D 66/02;  
F21S 48/00; F42B 10/64; G01S 13/931

See application file for complete search history.

(56) **References Cited**

U.S. PATENT DOCUMENTS

D352,020 S \* 11/1994 Powers ..... D12/180  
D398,691 S \* 9/1998 Bromley ..... D12/207  
7,159,698 B2 \* 1/2007 Banks ..... F16D 65/122  
188/218 XL  
D619,945 S \* 7/2010 Sadanowicz ..... D12/180  
D632,944 S \* 2/2011 Kang ..... D8/312  
D656,960 S \* 4/2012 Kandell ..... D15/5  
D675,649 S \* 2/2013 Sands ..... D12/114  
8,474,588 B2 \* 7/2013 Franke ..... F16D 13/44  
192/110 B  
D721,315 S \* 1/2015 Delavy ..... D12/207

(Continued)

OTHER PUBLICATIONS

Pressure plate as it was mounted, image post date Feb. 8, 2015, site visited Jun. 22, 2018, (online), <<https://www.audizine.com/forum/showthread.php/656385-Clutch-won-t-disengage-after-replacement-only-half-pedal-travel-Suggestions>>.\*

(Continued)

*Primary Examiner* — Kevin K Rudzinski

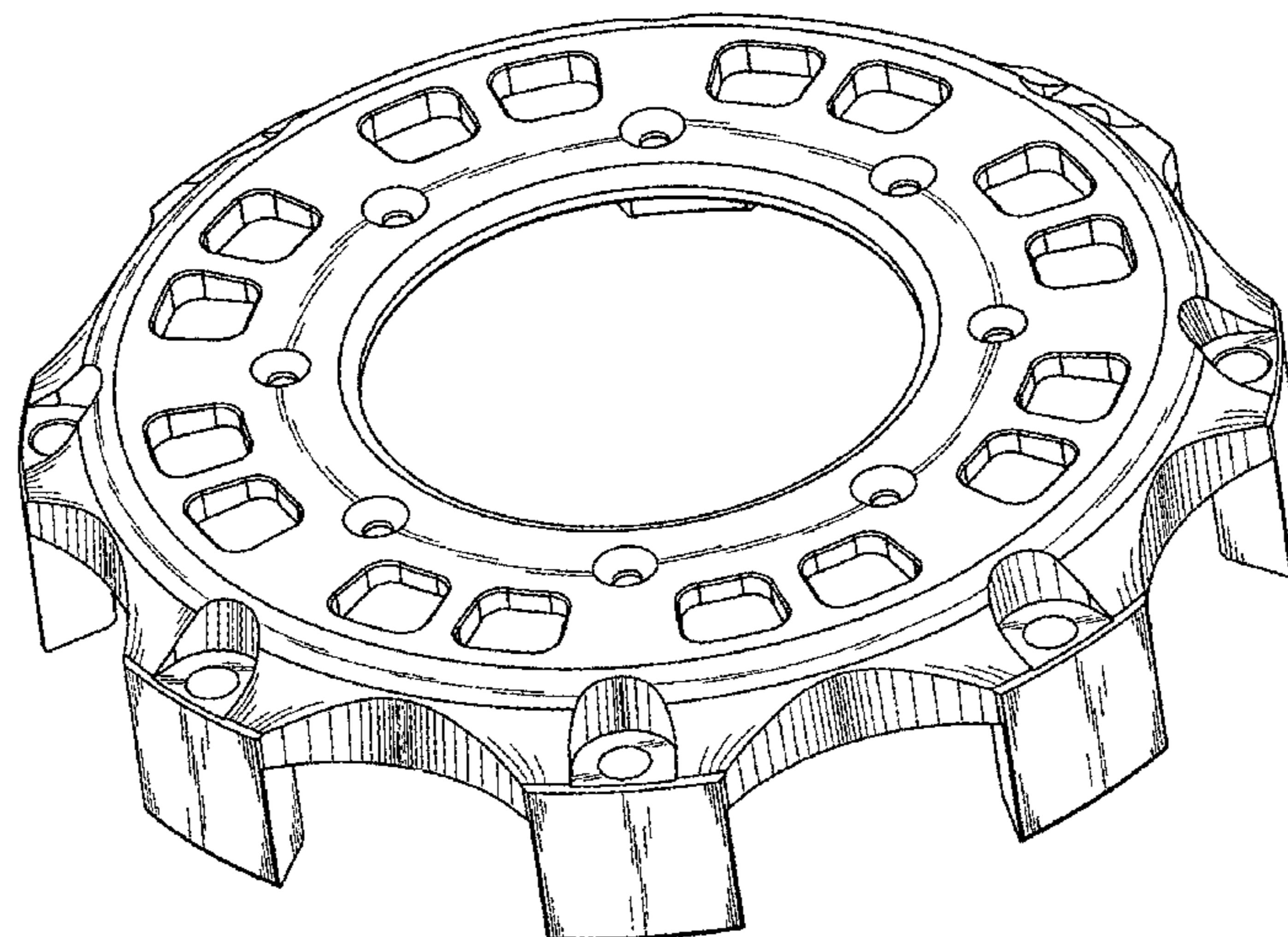
(57) **CLAIM**

I claim the ornamental design for a clutch pressure plate cover, as shown and described.

**DESCRIPTION**

FIG. 1 is a perspective view of a clutch pressure plate cover showing my new design;  
FIG. 2 is a front elevation view thereof;  
FIG. 3 is a rear elevation view thereof;  
FIG. 4 is a left side elevation view thereof;  
FIG. 5 is a right side elevation view thereof;  
FIG. 6 is a top plan view thereof; and,  
FIG. 7 is a bottom plan view thereof.  
The broken lines and the interior surfaces adjacent to the circular broken lines present in FIG. 3 illustrate portions of the clutch pressure plate cover that form no part of the claimed design.

**1 Claim, 7 Drawing Sheets**



(56)

**References Cited**

U.S. PATENT DOCUMENTS

D755,622 S *	5/2016	Rodenhouse .....	D8/399
D756,280 S *	5/2016	Davito .....	D12/197
9,400,044 B2 *	7/2016	Wadhva .....	F16H 48/08
D767,658 S *	9/2016	Creager .....	D15/148
D787,996 S *	5/2017	Rode .....	D12/180
D807,260 S *	1/2018	Young .....	D12/180
2004/0118645 A1 *	6/2004	Killian .....	F16D 69/04 188/218 XL
2007/0093300 A1 *	4/2007	Kayamoto .....	F16D 3/68 464/85
2010/0319479 A1 *	12/2010	Sjolin .....	G05G 1/015 74/504
2013/0213761 A1 *	8/2013	Franke .....	F16F 15/1206 192/30 V
2015/0015057 A1 *	1/2015	Oberti .....	F16D 65/123 301/6.8

2015/0244153 A1\* 8/2015 Mazara Diaz ..... H02B 1/50  
361/611

OTHER PUBLICATIONS

YTO X804 wheel tractor clutch, image post date Jun. 22, 2018, site visited 1999, (online), <[https://www.alibaba.com/product-detail/Brand-new-YTO-X804-wheel-tractor\\_1950607344.html?spm=a2700.7724857.main07.180.603f55fd3ZWo2y](https://www.alibaba.com/product-detail/Brand-new-YTO-X804-wheel-tractor_1950607344.html?spm=a2700.7724857.main07.180.603f55fd3ZWo2y)>.\*

R2845N-SSC Clutch Kit, image post date 2003, site visited Jun. 22, 2018, (online), <<http://www.brettstruck.com.au/p/4519550/r2845n-ssc-clutch-kit-ceramic-button-15-fglj-fl1j-fmlj-gh1j-gh8j-2003-2012-ranger-pro-9-pro-10-pro-14-gh8j-1727-2008-hnk6749b-hnk-6749b-hnk6682b-hnk-6682b-clutch-plate>>.\*

Jasma Proton Clutch Cover and Disc, image post date Oct. 28, 2010, site visited Jun. 22, 2018, (online), <<http://squirtparts.blogspot.com/2010/10/jasma-proton-mitsubishi-85-racing.html>>.\*

\* cited by examiner

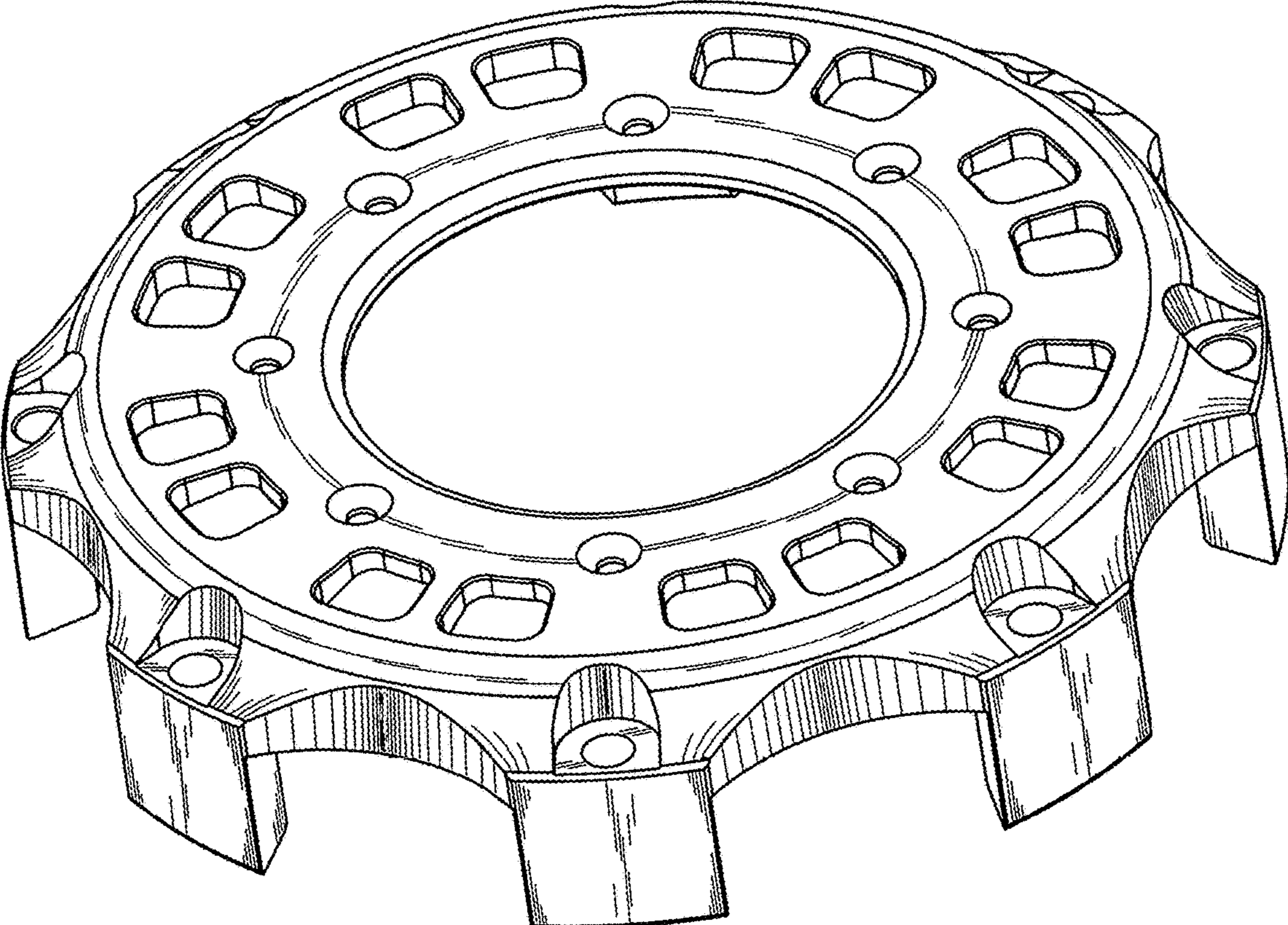


FIG. 1

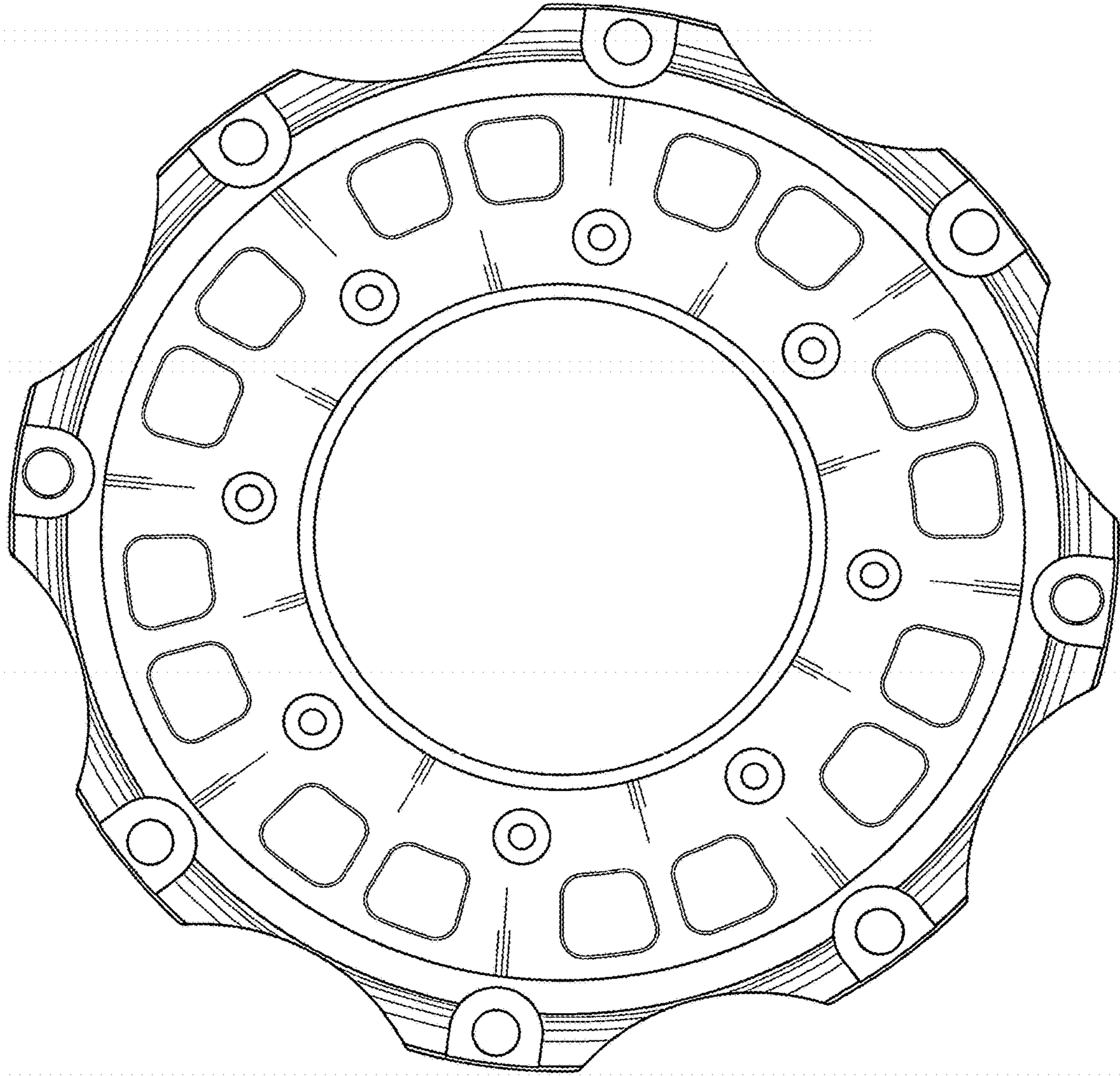


FIG. 2

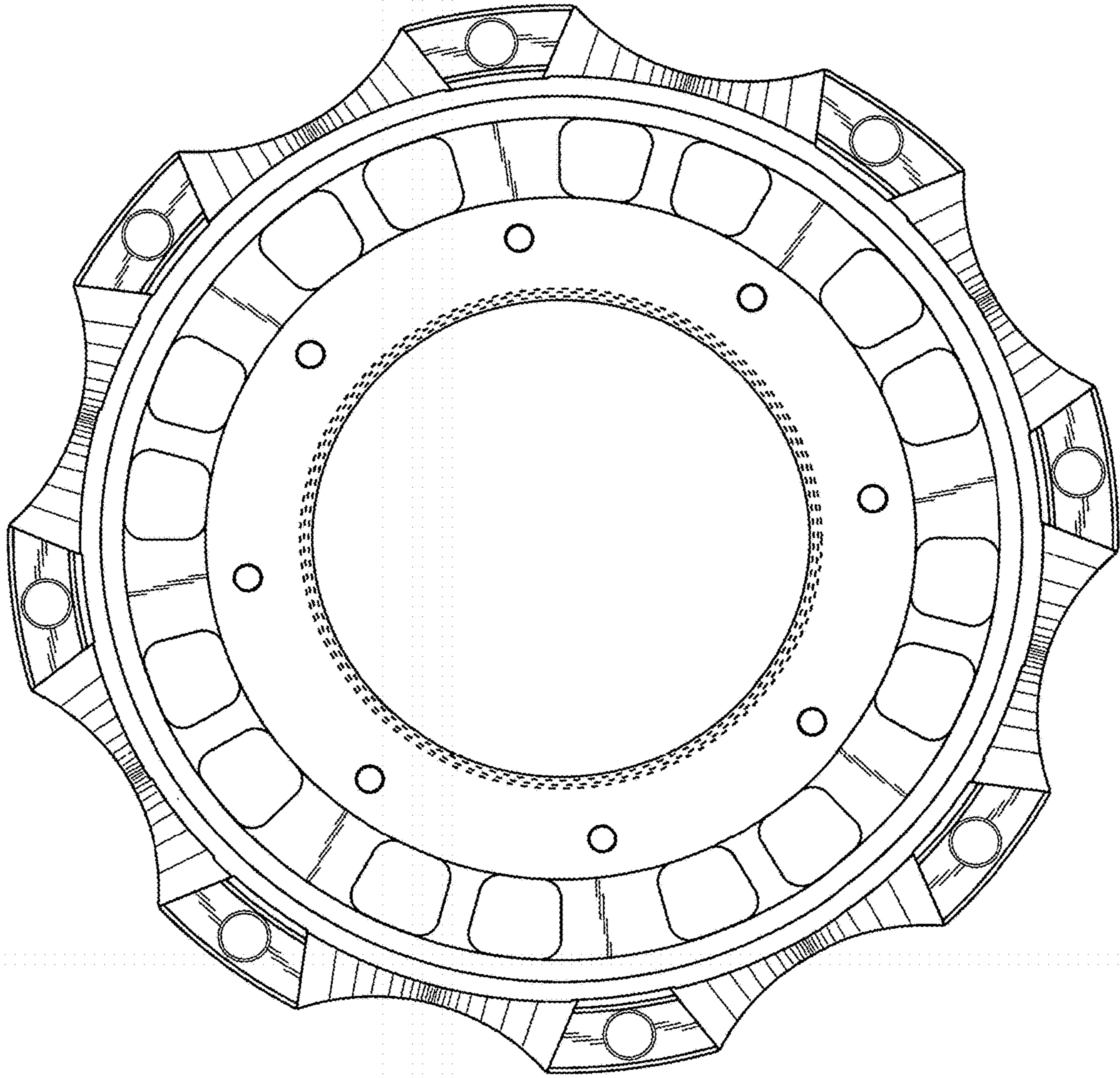


FIG. 3

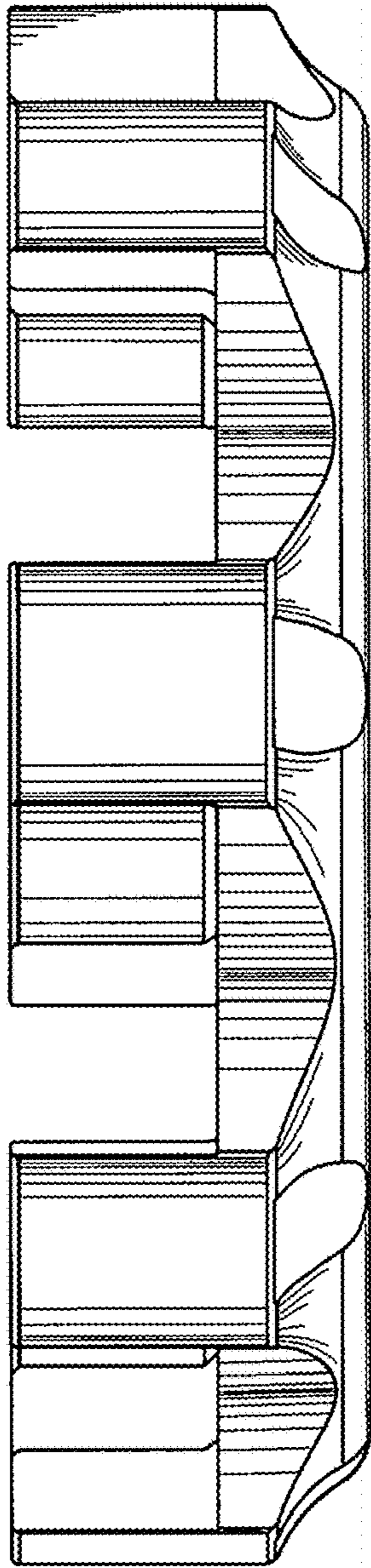


FIG. 4

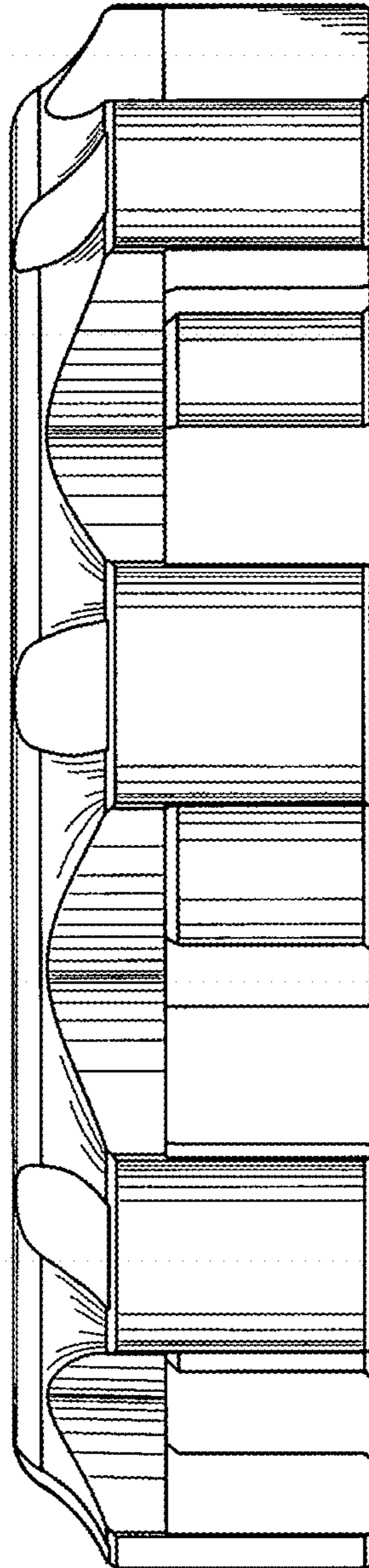


FIG. 5

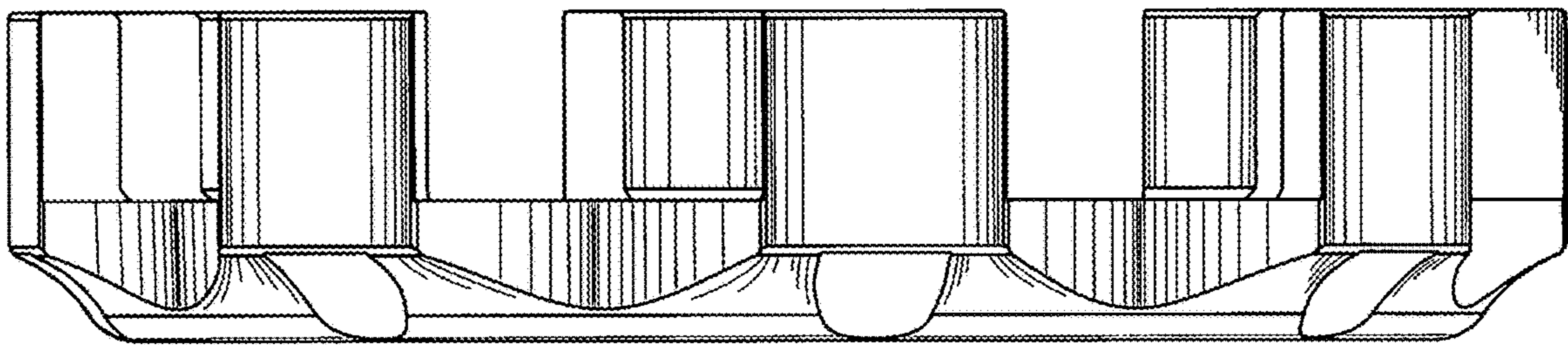


FIG. 6



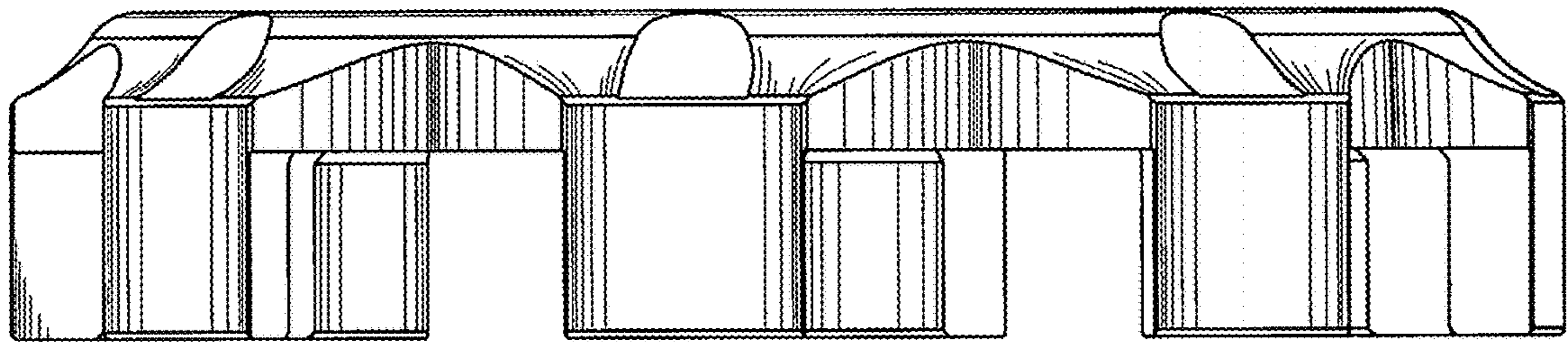


FIG. 7