



US00D845195S

(12) **United States Design Patent** (10) **Patent No.:** **US D845,195 S**
Buttigieg (45) **Date of Patent:** **** Apr. 9, 2019**

(54) **REAR BUMPER FOR A VEHICLE**
(71) Applicant: **Jaguar Land Rover Limited**, Whitley, Coventry (GB)
(72) Inventor: **Tom Buttigieg**, Coventry (GB)
(73) Assignee: **Jaguar Land Rover Limited**, Whitley, Coventry (GB)
(**) Term: **15 Years**
(21) Appl. No.: **29/642,067**
(22) Filed: **Mar. 27, 2018**

(30) **Foreign Application Priority Data**
Oct. 3, 2017 (EM) 004383248
(51) **LOC (11) Cl.** **12-16**
(52) **U.S. Cl.**
USPC **D12/169**
(58) **Field of Classification Search**
USPC D12/86, 90, 91, 92, 163, 169, 171, 196, D12/216
CPC B60R 19/02; B60R 19/04; B60R 19/12; B60R 19/52; B60K 11/08; B62D 25/08
See application file for complete search history.

(56) **References Cited**
U.S. PATENT DOCUMENTS
D698,708 S * 2/2014 Rugar D12/169
D701,800 S * 4/2014 Campbell D12/169
D711,653 S * 8/2014 Pacetti D3/318
D712,322 S * 9/2014 Kobayashi D12/169
D712,805 S * 9/2014 Murkett D12/169
D742,119 S * 11/2015 Batista D3/318
D744,915 S * 12/2015 Curic D12/169
D751,003 S * 3/2016 Rugar D12/163
D751,007 S * 3/2016 Curic D12/169
D753,036 S * 4/2016 Curic D12/169
D758,259 S * 6/2016 Messale D12/169

D762,147 S * 7/2016 Messale D12/169
D763,143 S * 8/2016 Varga D12/169
D763,744 S * 8/2016 Behmer D12/169
D771,536 S * 11/2016 Wolff D12/169
D775,038 S * 12/2016 Frascella D12/169
D776,021 S * 1/2017 Kapitonov D12/169
(Continued)

Primary Examiner — Susan Bennett Hattan
Assistant Examiner — Suzanne E Tisdell
(74) *Attorney, Agent, or Firm* — Wood Herron & Evans LLP

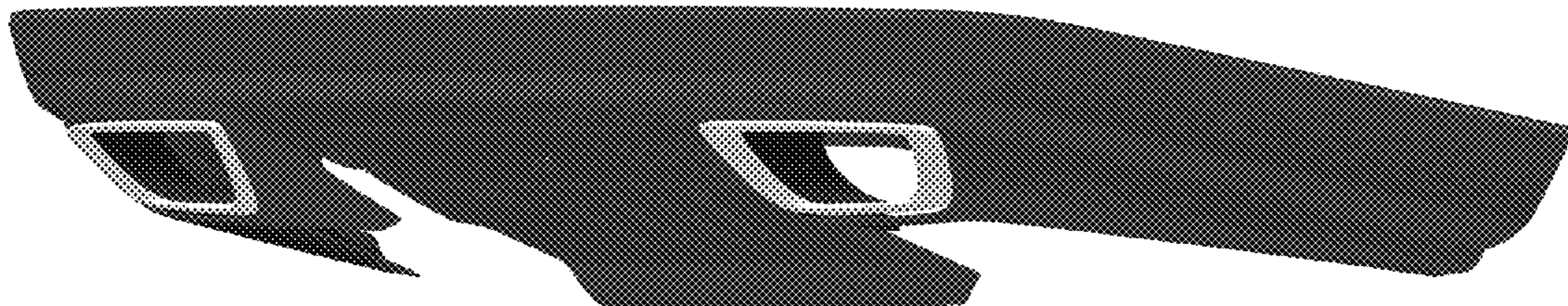
(57) **CLAIM**

The ornamental design for a rear bumper for a vehicle, as shown and described.

DESCRIPTION

FIG. 1 is a front right perspective view of a rear bumper for a vehicle according to the present invention.
FIG. 2 is a front left perspective view of the rear bumper shown in FIG. 1.
FIG. 3 is a rear left perspective view thereof.
FIG. 4 is a rear right perspective view thereof.
FIG. 5 is a front view thereof.
FIG. 6 is a rear view thereof.
FIG. 7 is a left side view thereof.
FIG. 8 is a right side view thereof.
FIG. 9 is a top view thereof.
FIG. 10 is a bottom view thereof; and,
FIG. 11 is a front view of the rear bumper shown in FIG. 1-10, but with the rear bumper mounted on a vehicle, and the rest of the vehicle shown in de-emphasized and half-tone portions so as to illustrate environmental structure. These portions form no part of the claimed design. More particularly, in FIG. 11, the inventive rear bumper is shown within the broken line, and the elements shown outside the broken line form no part of the claimed invention, but are instead included to show environmental aspects thereof.

1 Claim, 8 Drawing Sheets



(56)

References Cited

U.S. PATENT DOCUMENTS

D781,586 S *	3/2017	Reinhart	D3/318
D781,587 S *	3/2017	Mangano	D3/318
D793,294 S *	8/2017	Lee	D12/169
D793,295 S *	8/2017	McCabe	D12/169
D797,456 S *	9/2017	Chen	D3/318
D797,616 S *	9/2017	Lee	D12/169
D798,201 S *	9/2017	Zavatski	D12/169
D800,621 S *	10/2017	Bucher	D12/196
D801,236 S *	10/2017	Kozub	D12/169
D803,738 S *	11/2017	Granlund	D12/169
D807,255 S *	1/2018	Piscitelli	D12/169

* cited by examiner

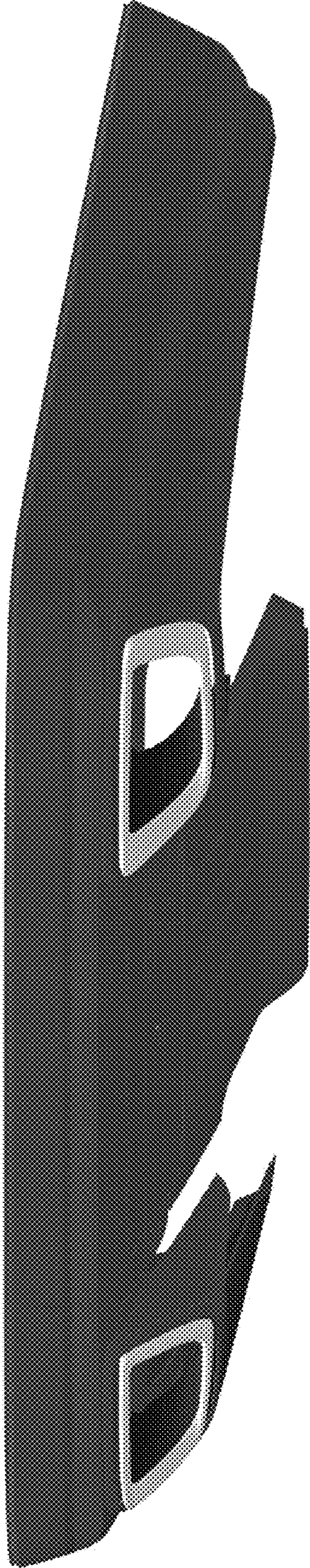


FIG. 1

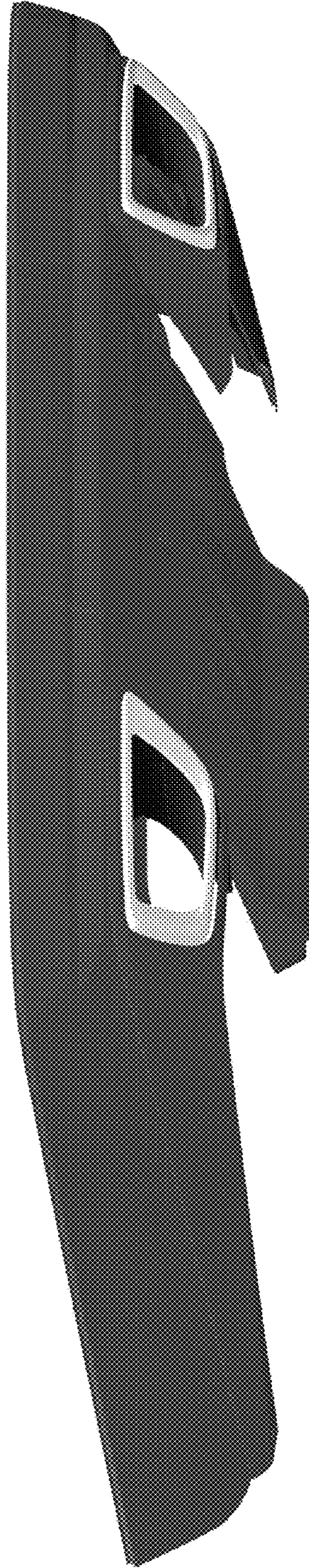


FIG. 2

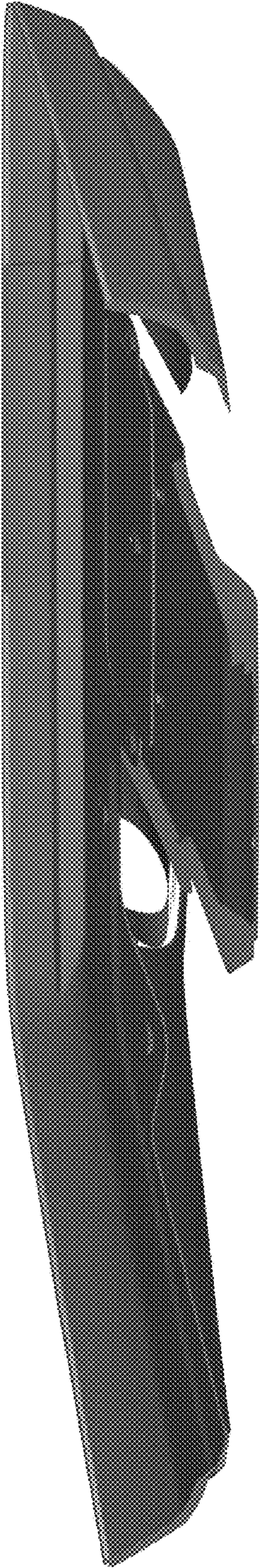


FIG. 3



FIG. 4

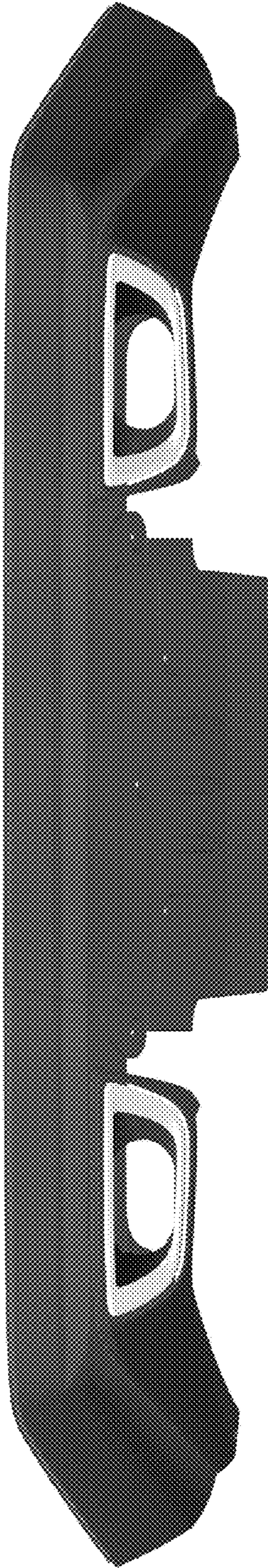


FIG. 5

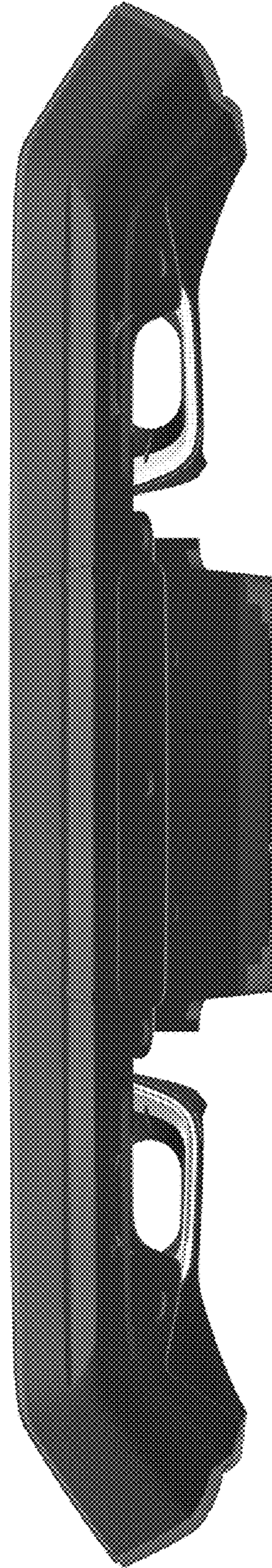


FIG. 6

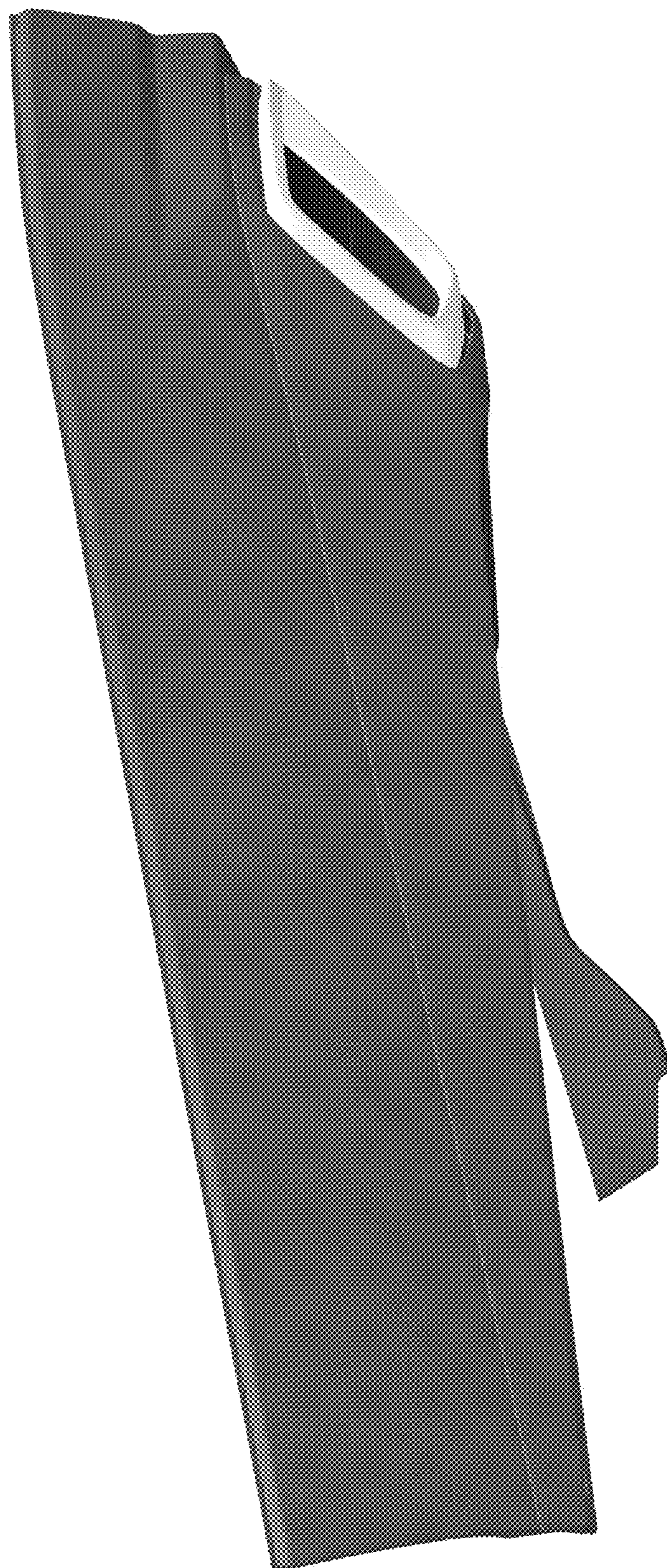


FIG. 7

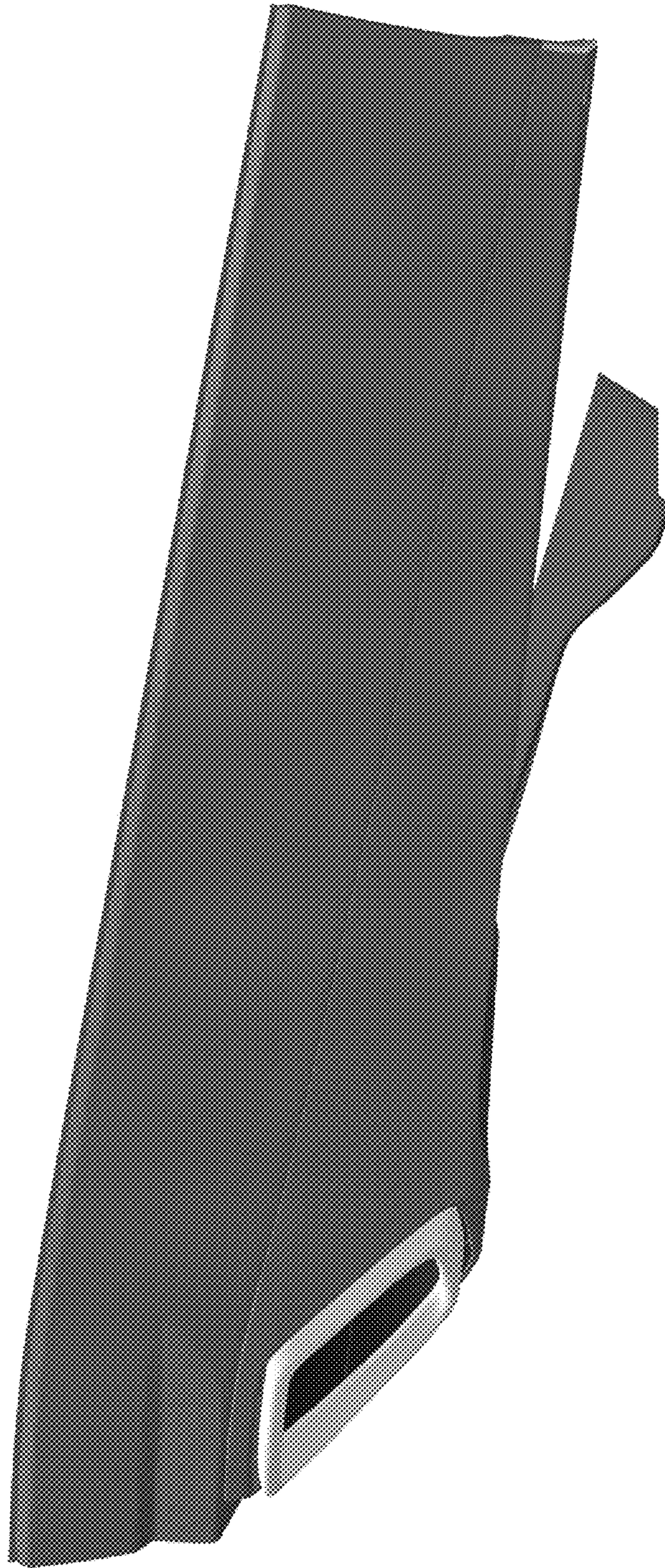


FIG. 8

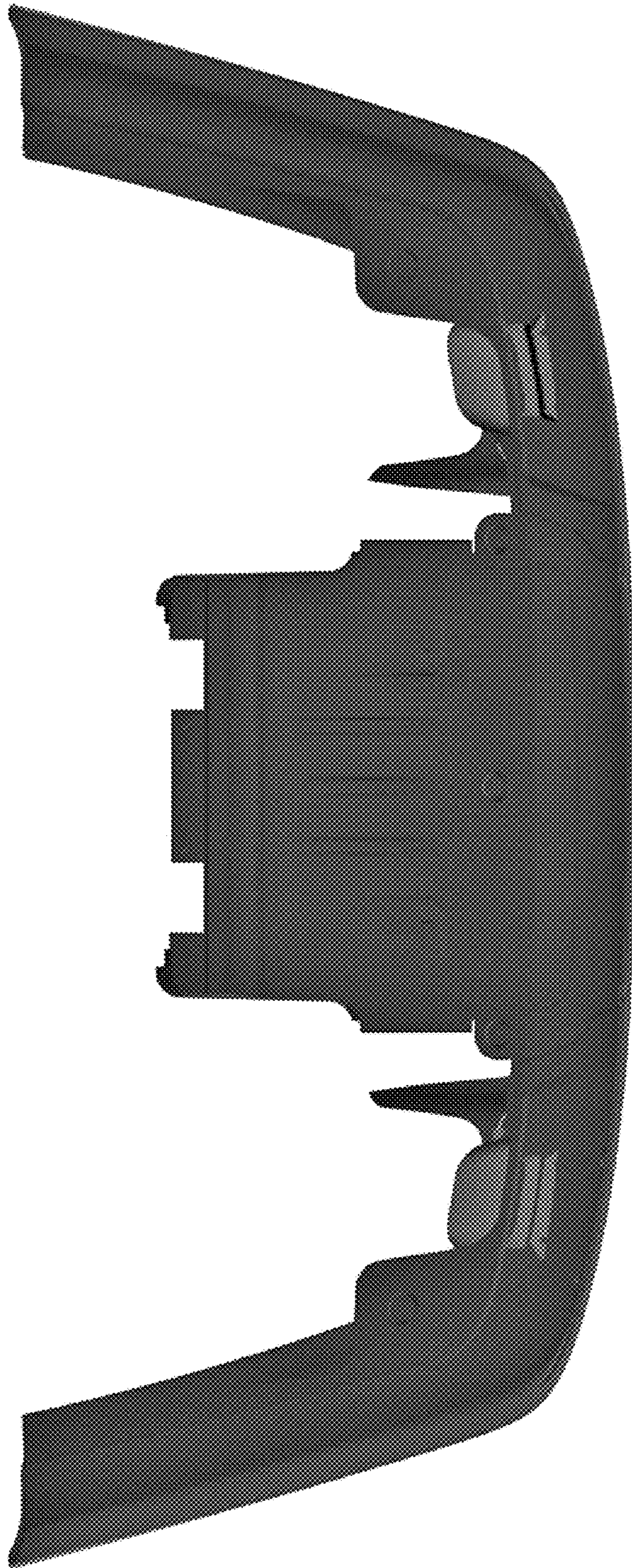


FIG. 9

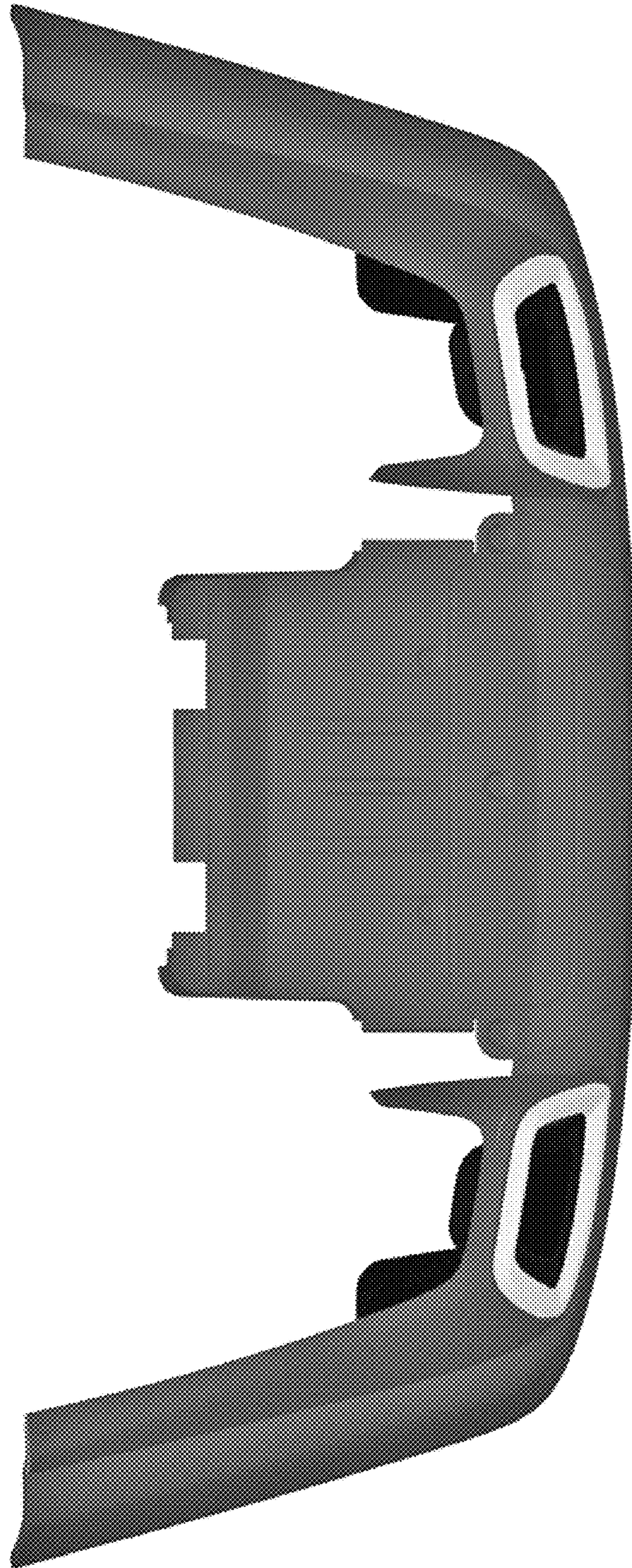


FIG. 10

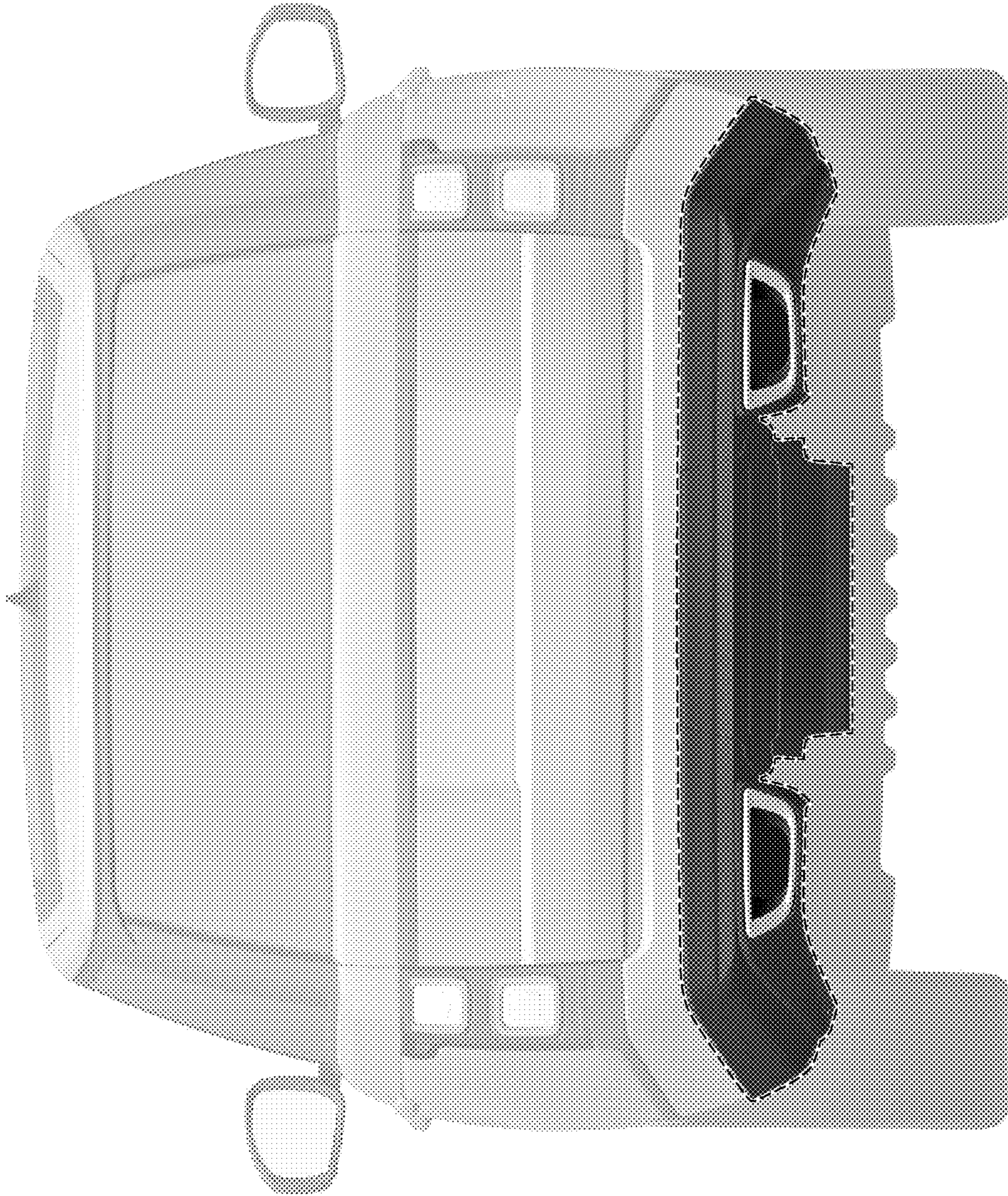


FIG. 11