



US00D845193S

(12) **United States Design Patent** (10) **Patent No.:** **US D845,193 S**  
**Ino et al.** (45) **Date of Patent:** **\*\* Apr. 9, 2019**

(54) **FRONT BUMPER FOR AUTOMOBILE**  
(71) Applicant: **Nissan Motor Co., Ltd.**, Yokohama, Kanagawa (JP)  
(72) Inventors: **Masanobu Ino**, Kanagawa (JP); **Motoyuki Suzuki**, Kanagawa (JP)  
(73) Assignee: **Nissan Motor Co., Ltd.**, Yokohama (JP)

(\*\*) Term: **15 Years**  
(21) Appl. No.: **29/633,100**

(22) Filed: **Jan. 12, 2018**

(30) **Foreign Application Priority Data**  
Jul. 14, 2017 (JP) ..... 2017-015283  
(51) **LOC (11) Cl.** ..... **12-16**  
(52) **U.S. Cl.**  
USPC ..... **D12/169**  
(58) **Field of Classification Search**  
USPC ..... D12/169; 293/102, 113, 115, 117, 120; 296/180.1, 180.2  
CPC ..... B60R 19/02; B60R 19/04; B62D 25/08  
See application file for complete search history.

(56) **References Cited**  
U.S. PATENT DOCUMENTS  
D708,997 S \* 7/2014 Koizumi ..... D12/169  
D749,999 S \* 2/2016 Curic ..... D12/169  
D760,127 S \* 6/2016 Yamamoto ..... D12/169  
D786,147 S \* 5/2017 Horie ..... D12/169  
D786,151 S \* 5/2017 Sakai ..... D12/169

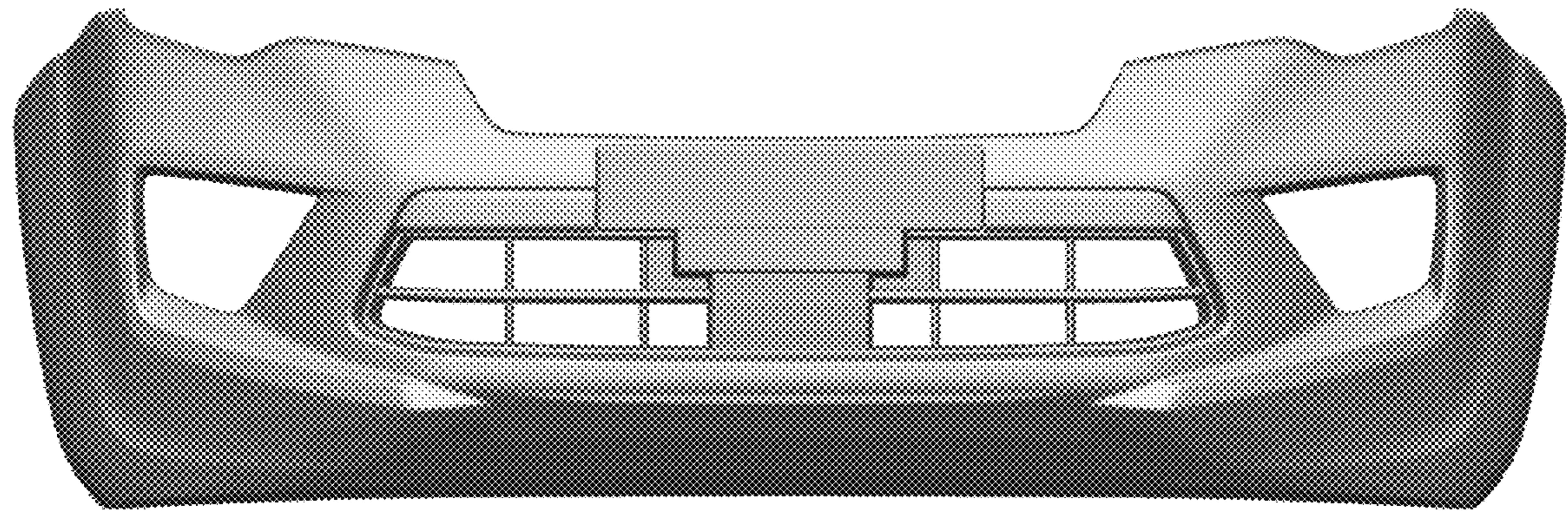
D786,749 S \* 5/2017 Oohashi ..... D12/169  
D793,921 S \* 8/2017 Takamatsu ..... D12/169  
D797,618 S \* 9/2017 Suzuki ..... D12/169  
D814,991 S \* 4/2018 Tanaka ..... D12/169  
D814,993 S \* 4/2018 Minamiyama ..... D12/169  
D819,517 S \* 6/2018 Arai ..... D12/169  
D821,936 S \* 7/2018 Yamamoto ..... D12/169  
D824,819 S \* 8/2018 Sukegawa ..... D12/169  
D827,518 S \* 9/2018 Komuro ..... D12/169  
D830,921 S \* 10/2018 Zhang ..... D12/169

\* cited by examiner  
*Primary Examiner* — Melody N Brown

(57) **CLAIM**  
The ornamental design for a front bumper for an automobile, as shown and described.

**DESCRIPTION**  
FIG. 1 is a front elevational view of a front bumper for an automobile in accordance with our new design;  
FIG. 2 is a top plan view thereof;  
FIG. 3 is a bottom plan view thereof;  
FIG. 4 is a left side elevational view thereof;  
FIG. 5 is a right side elevational view thereof;  
FIG. 6 is a bottom, front and left side perspective view thereof; and,  
FIG. 7 is a top, front and right side perspective view thereof.  
The rear view of the front bumper forms no part of the claimed design. The inside surfaces of the front bumper, shown in broken lines in FIGS. 2, 3 and 7, form no part of the claimed design since the inside surfaces are hidden when the front bumper is mounted to the automobile.

**1 Claim, 7 Drawing Sheets**



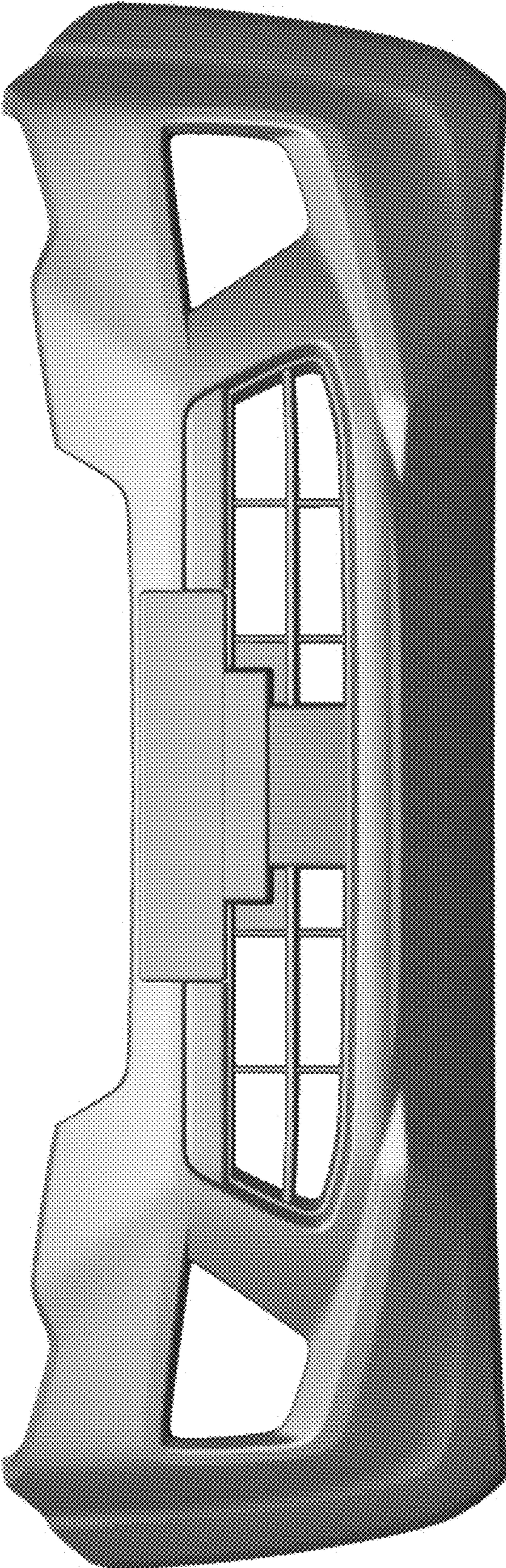


FIG. 1

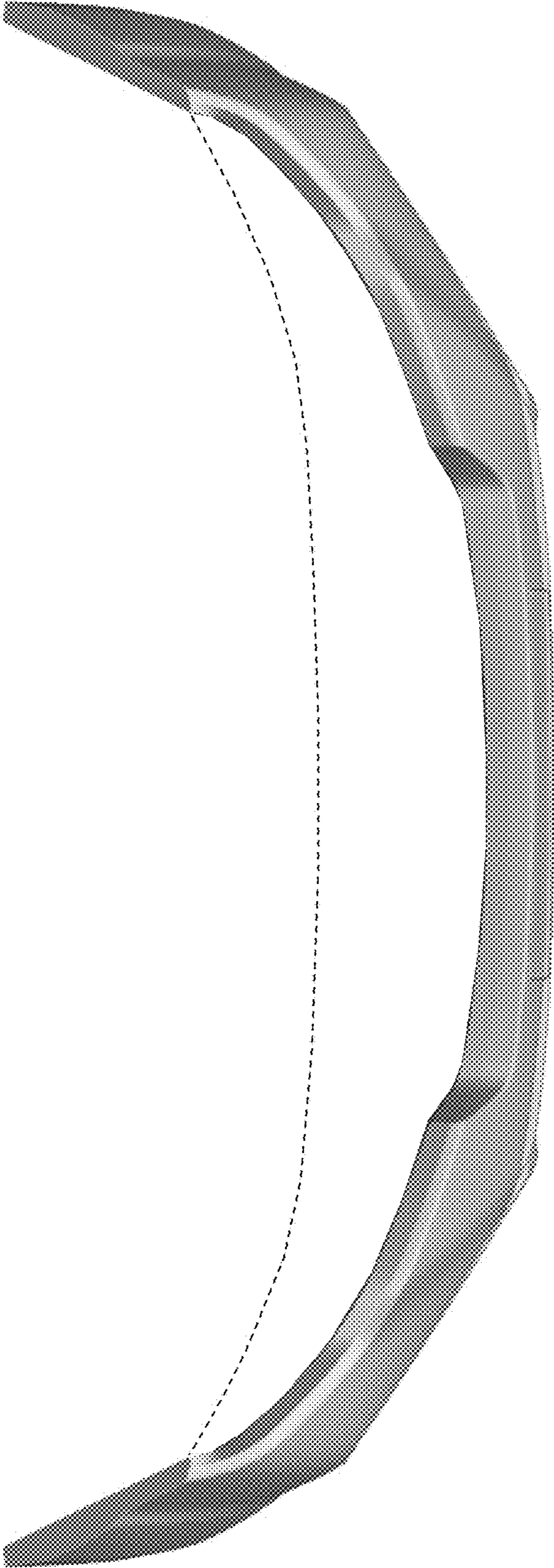


FIG. 2

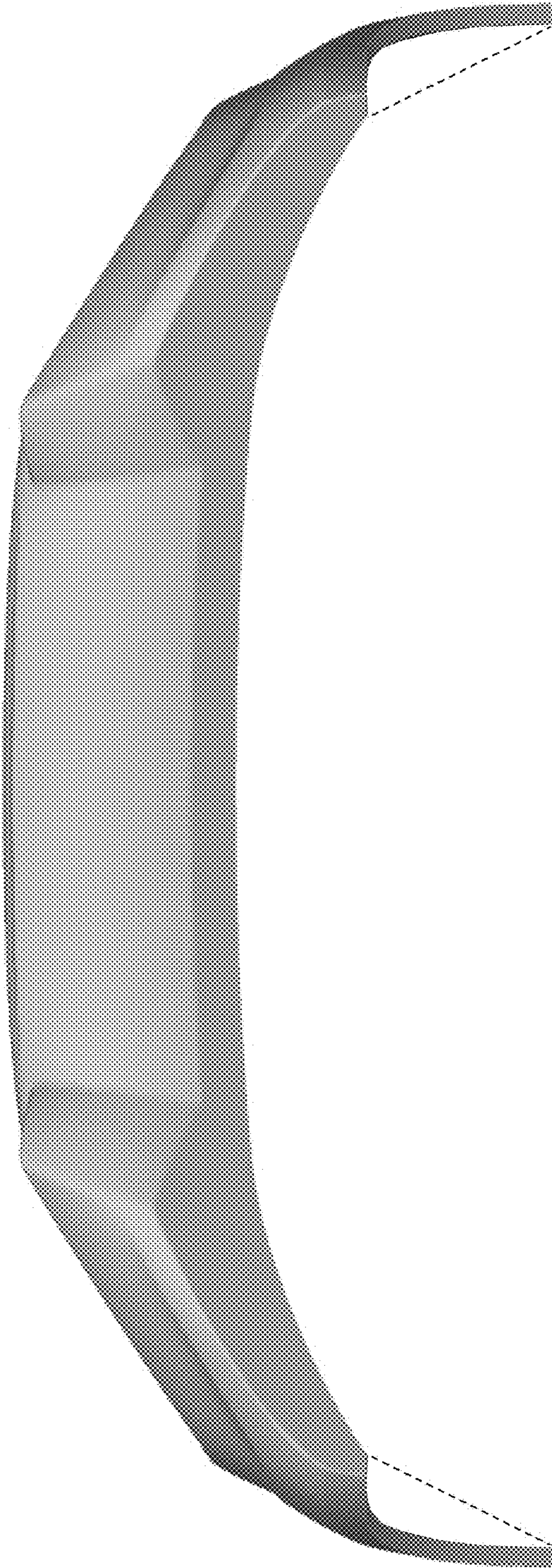


FIG. 3

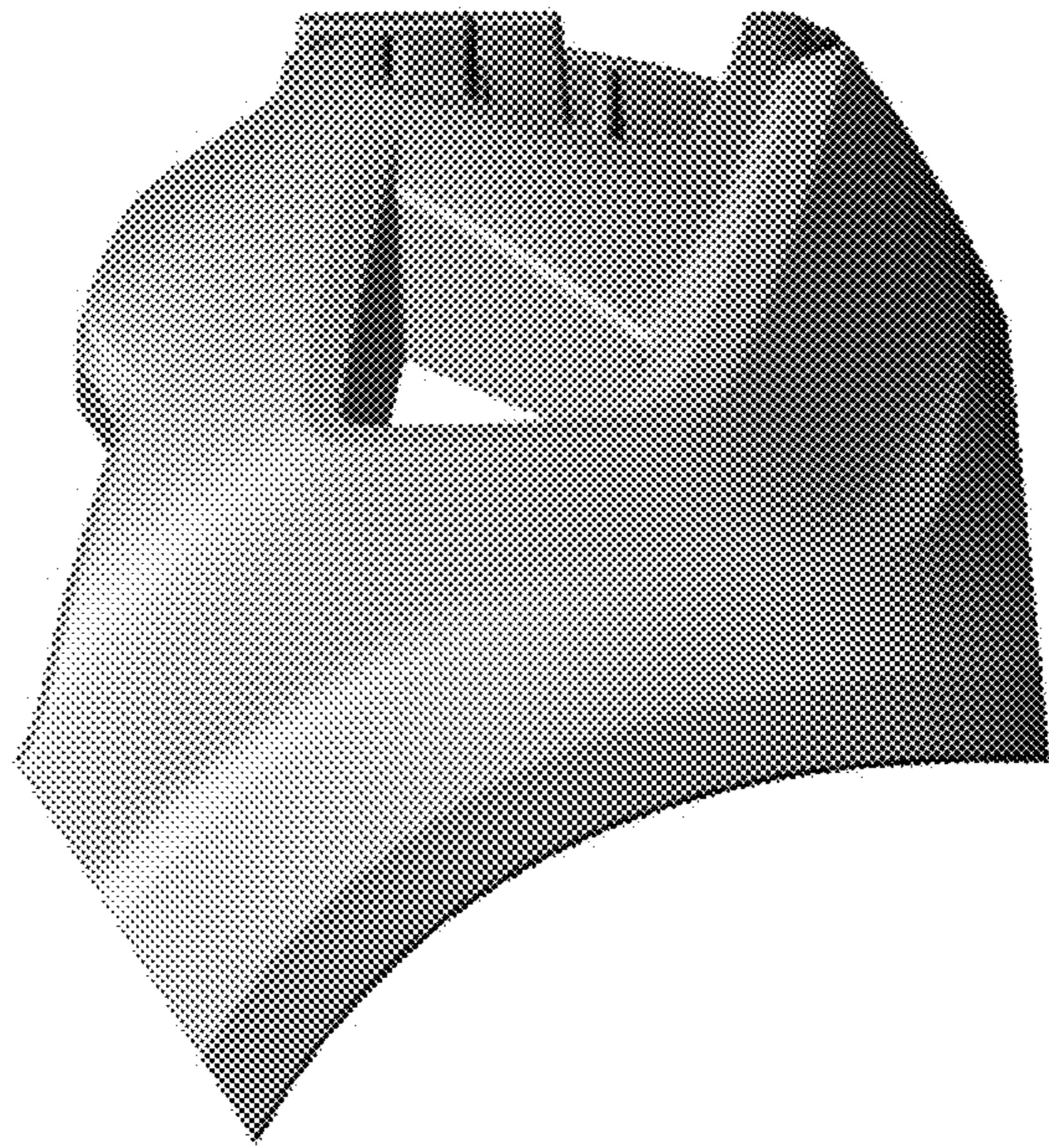


FIG. 4

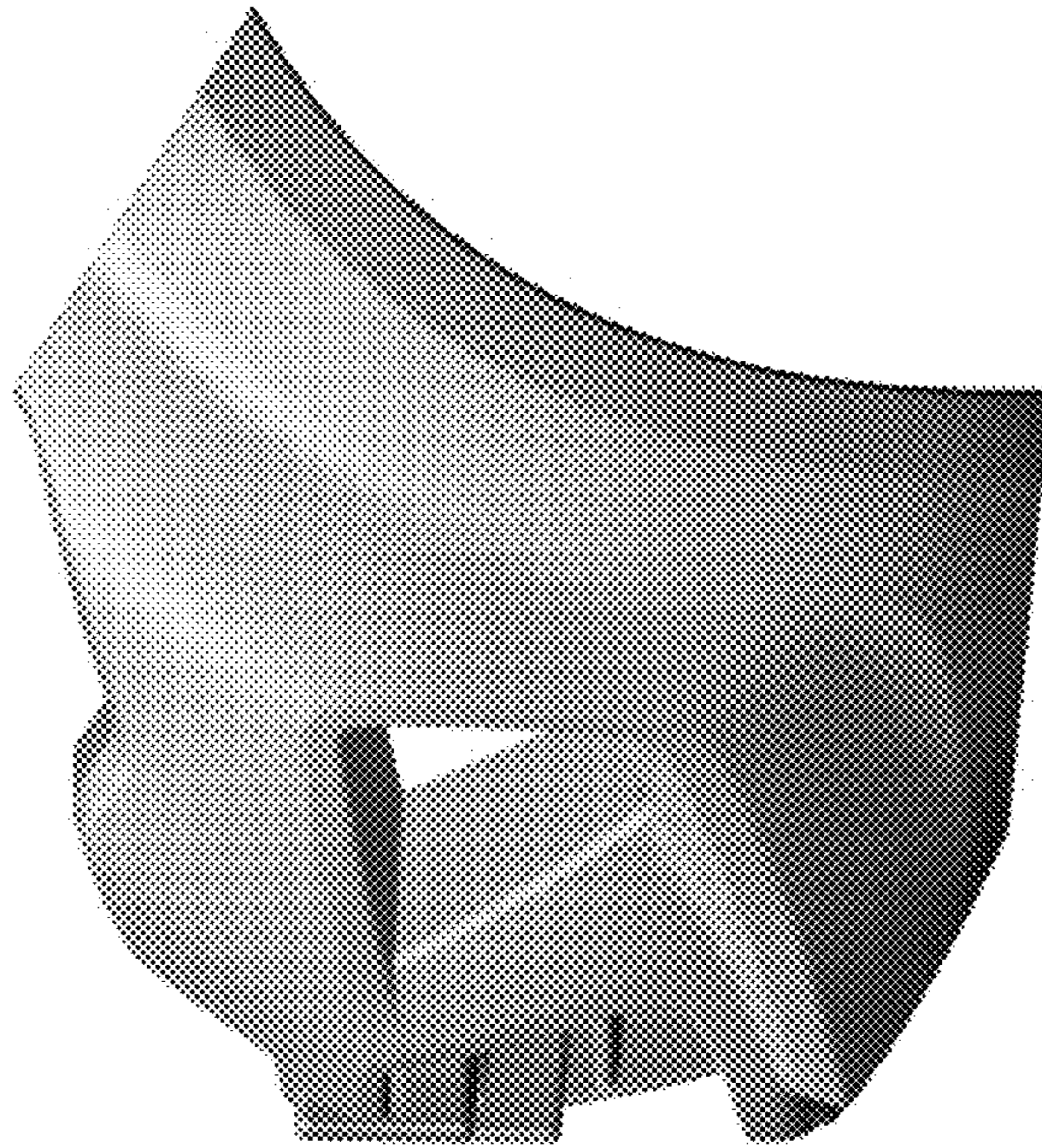


FIG. 5

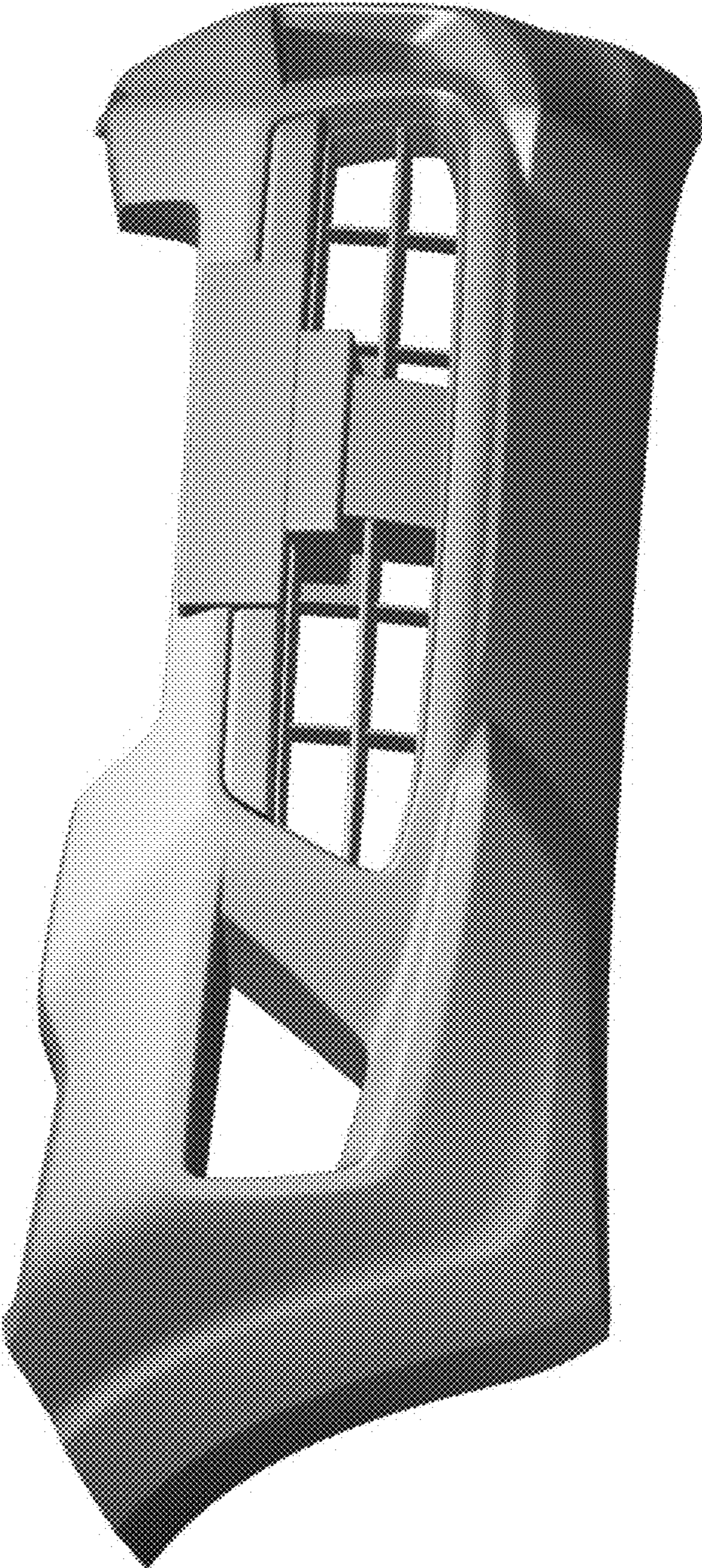


FIG. 6

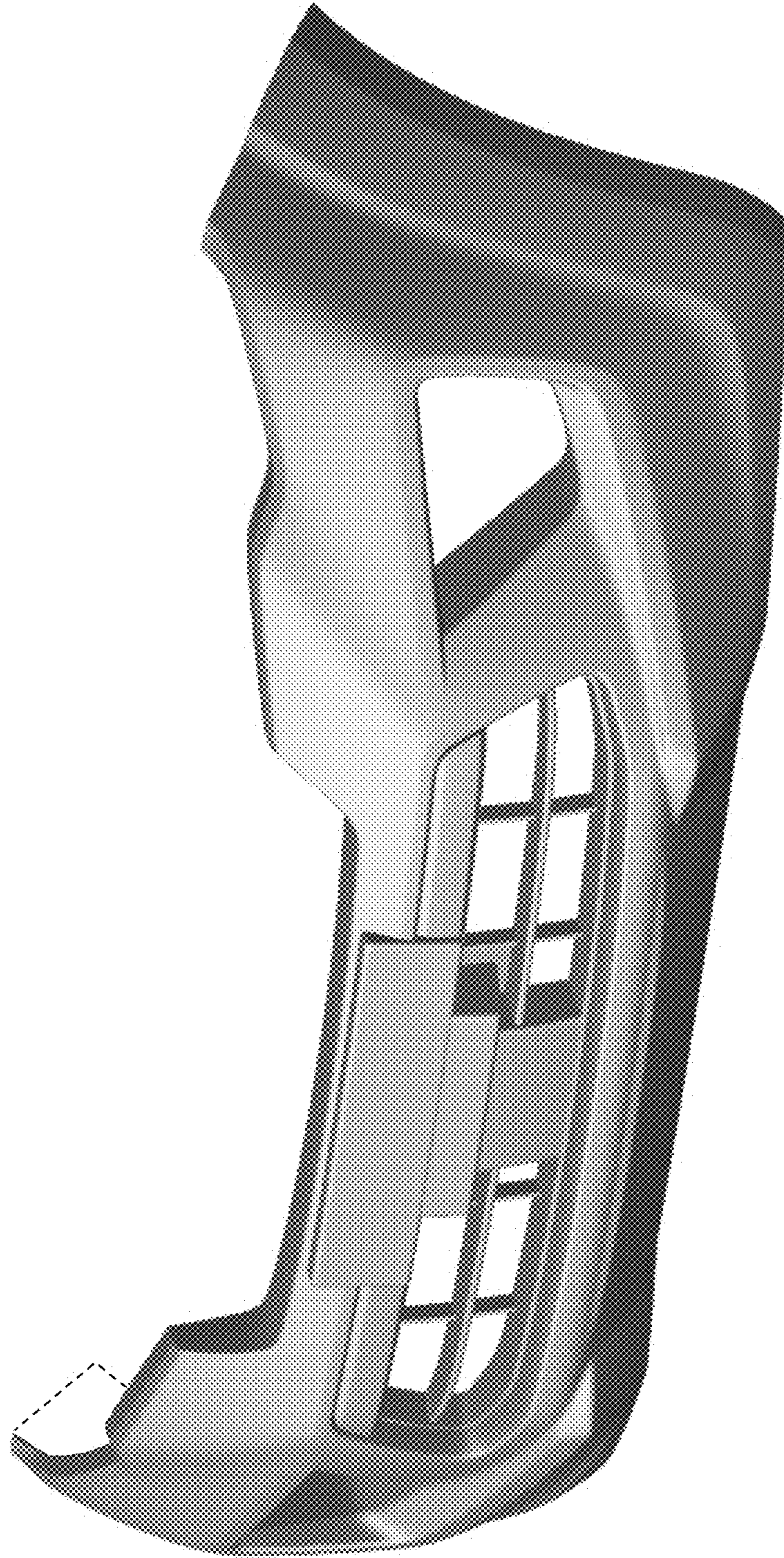


FIG. 7